

US00D508907S

(12) **United States Design Patent**
Ueda et al.

(10) **Patent No.:** **US D508,907 S**
(45) **Date of Patent:** **** Aug. 30, 2005**

(54) **COMBINED DISC PLAYER, RADIO RECEIVER AND TAPE RECORDER**

(75) Inventors: **Arinobu Ueda**, Tokyo (JP); **Koichi Maruta**, Saitoma (JP)

(73) Assignee: **Sony Corporation**, Tokyo (JP)

(**) Term: **14 Years**

(21) Appl. No.: **29/197,578**

(22) Filed: **Jan. 20, 2004**

(51) **LOC (8) Cl.** **14-01**

(52) **U.S. Cl.** **D14/168**

(58) **Field of Search** D14/135-136,
D14/156-157, 160-165, 167-168, 192-198,
188, 217, 257, 258, 445; 360/99.02, 99.07;
369/75.11, 75.21, 77.21, 77.11; 720/655;
455/344, 347-351

(56) **References Cited**

U.S. PATENT DOCUMENTS

D410,649 S	6/1999	Kobayashi	
D450,678 S	* 11/2001	Mizokawa et al.	D14/157
D475,030 S	* 5/2003	Senda et al.	D14/135
D475,360 S	6/2003	Yoneda et al.	
D481,373 S	* 10/2003	Sogabe	D14/168
D483,730 S	* 12/2003	Shively	D14/156

OTHER PUBLICATIONS

Web page "CFD-G70", 1 sheet, Sony (2000).
Web page "CFD-EX35", 1 sheet Sony (2002).
Web page "CSD-A778S" www.yodobashi.com, 1 sheet,
Yodobashi Camera (Nov. 2003).

* cited by examiner

Primary Examiner—Nanda Bondade

(74) *Attorney, Agent, or Firm*—Rader, Fishman & Grauer
PLLC

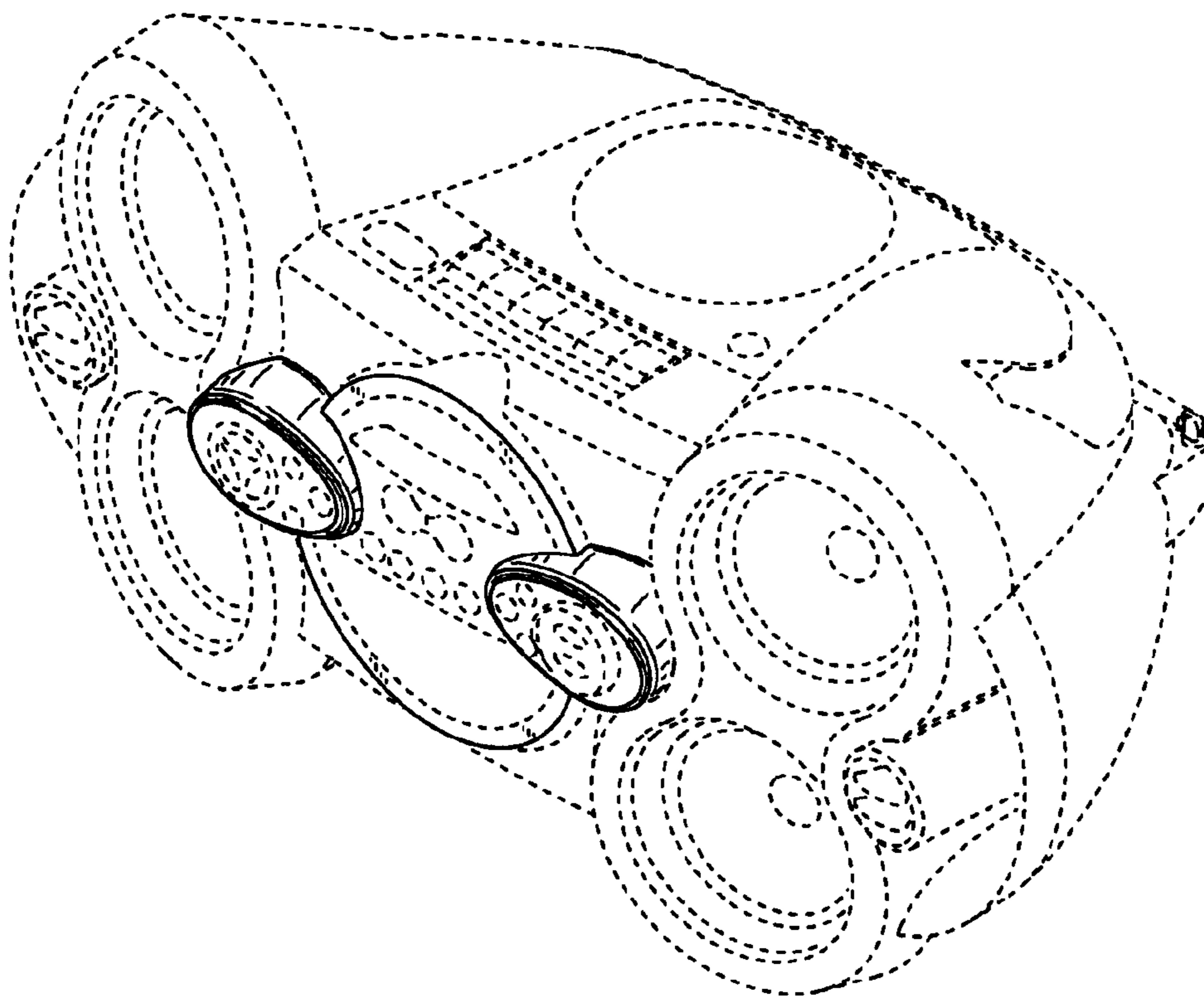
(57) **CLAIM**

The ornamental design for a combined disc player, radio receiver and tape recorder, as shown and described.

DESCRIPTION

FIG. 1 is a perspective view of a combined disc player, radio receiver and tape recorder showing our new design; FIG. 2 is a front elevational view thereof; FIG. 3 is a left side elevational view thereof; FIG. 4 is a right side elevational view thereof; FIG. 5 is a top plan view thereof; and, FIG. 6 is a bottom plan view thereof. Portions of FIGS. 1-6 that are shown as broken lines are for illustrative purpose only and form no part of the claimed design.

1 Claim, 4 Drawing Sheets



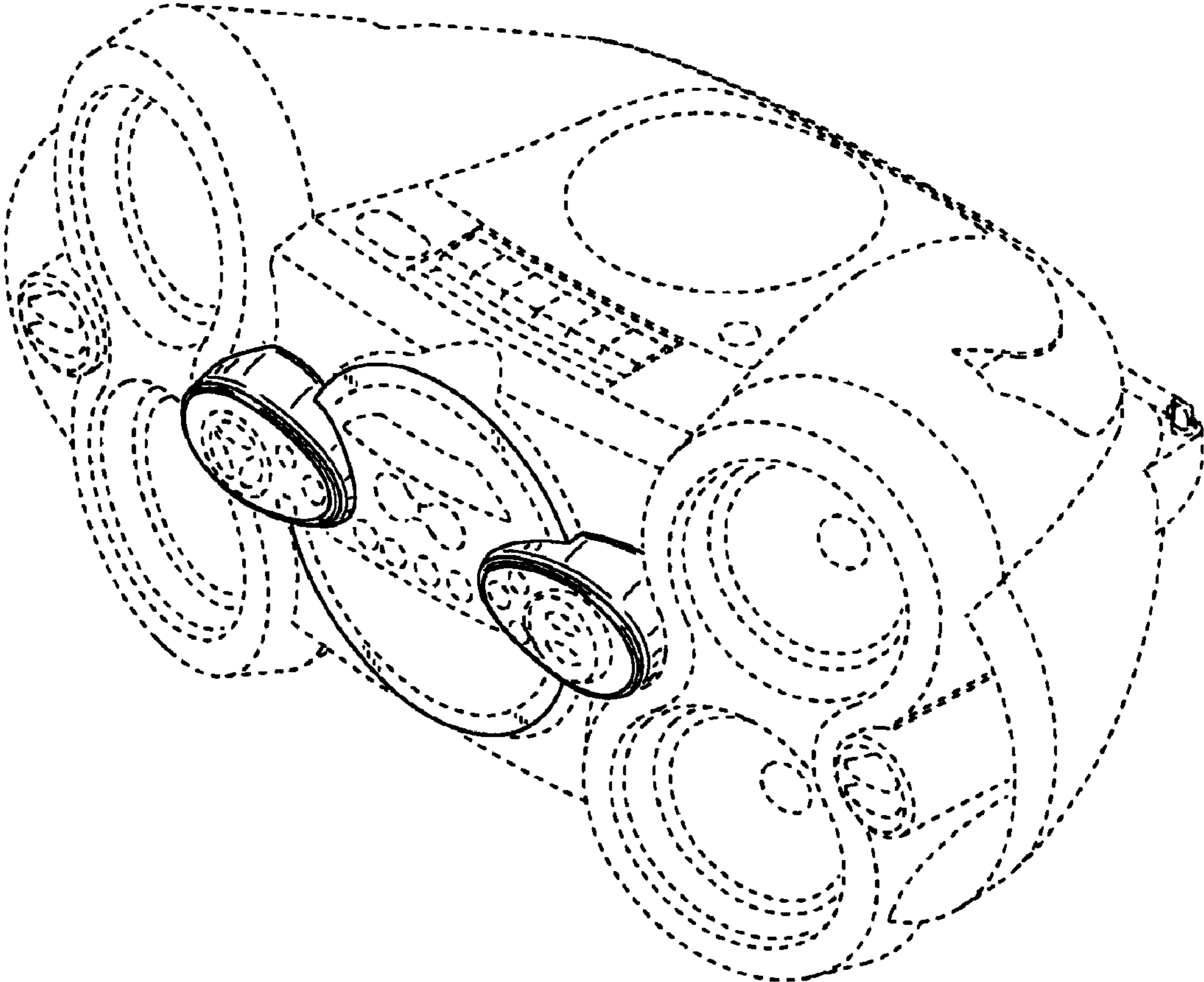


FIG. 1

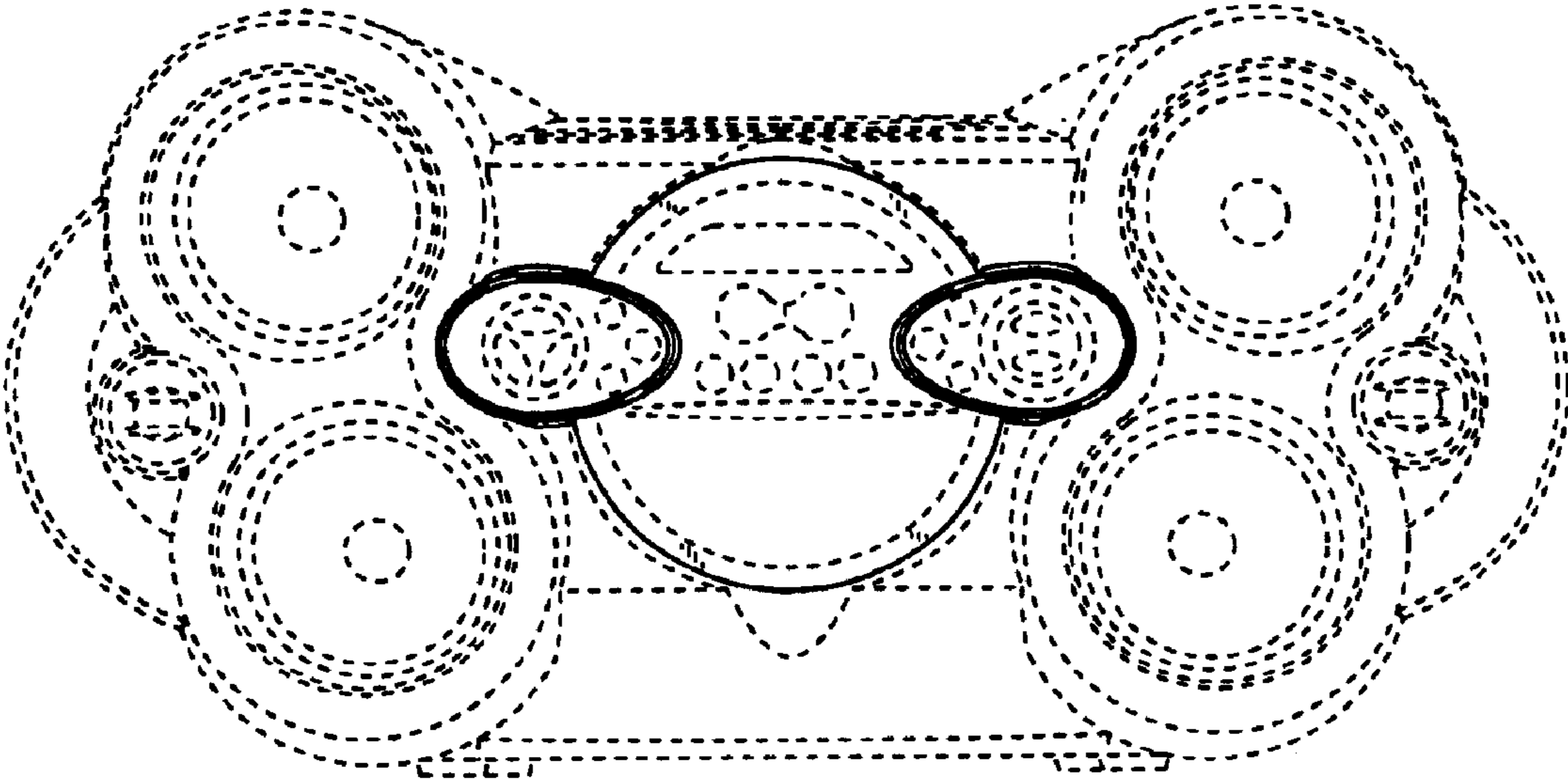


FIG. 2

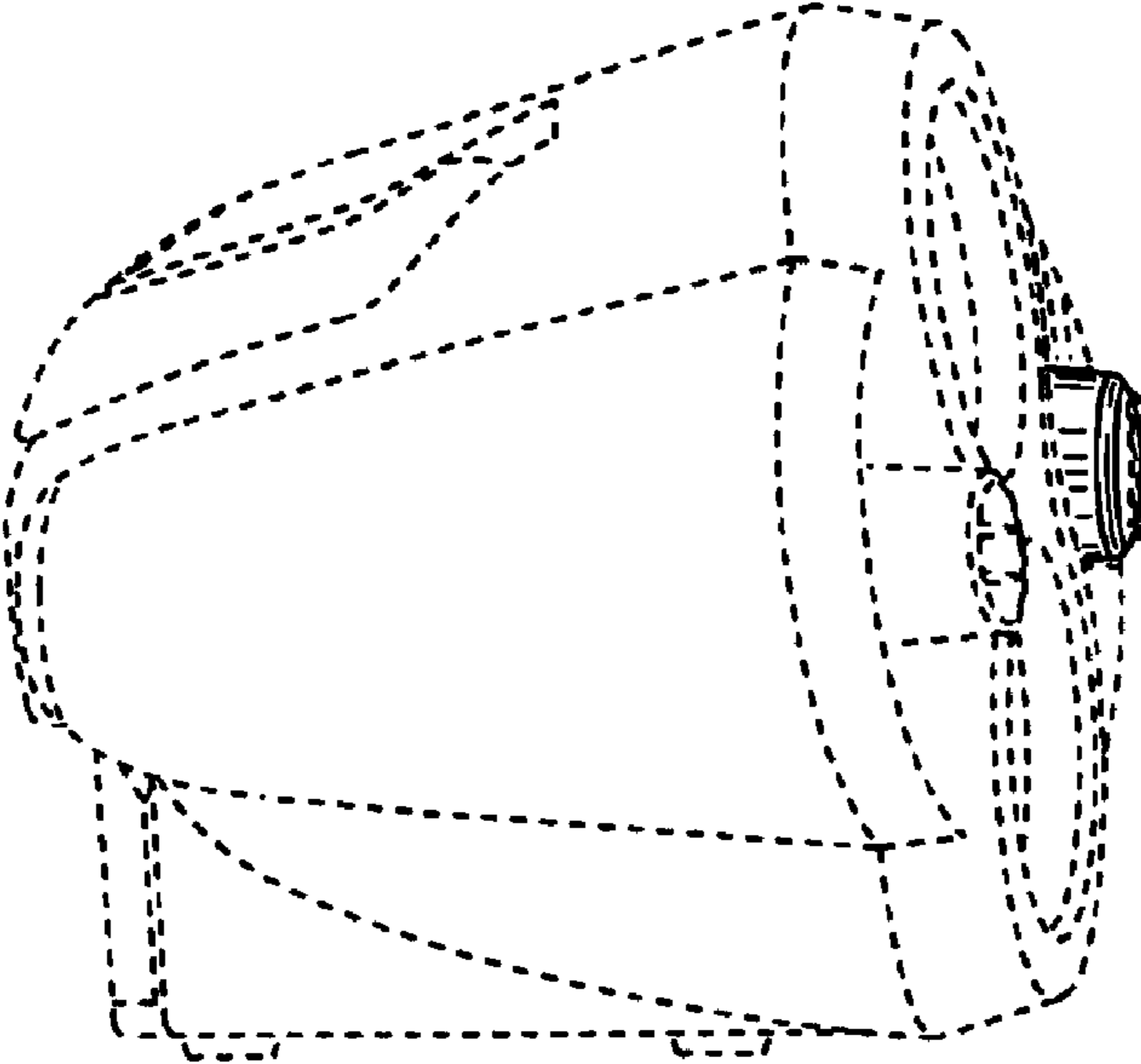


FIG. 3

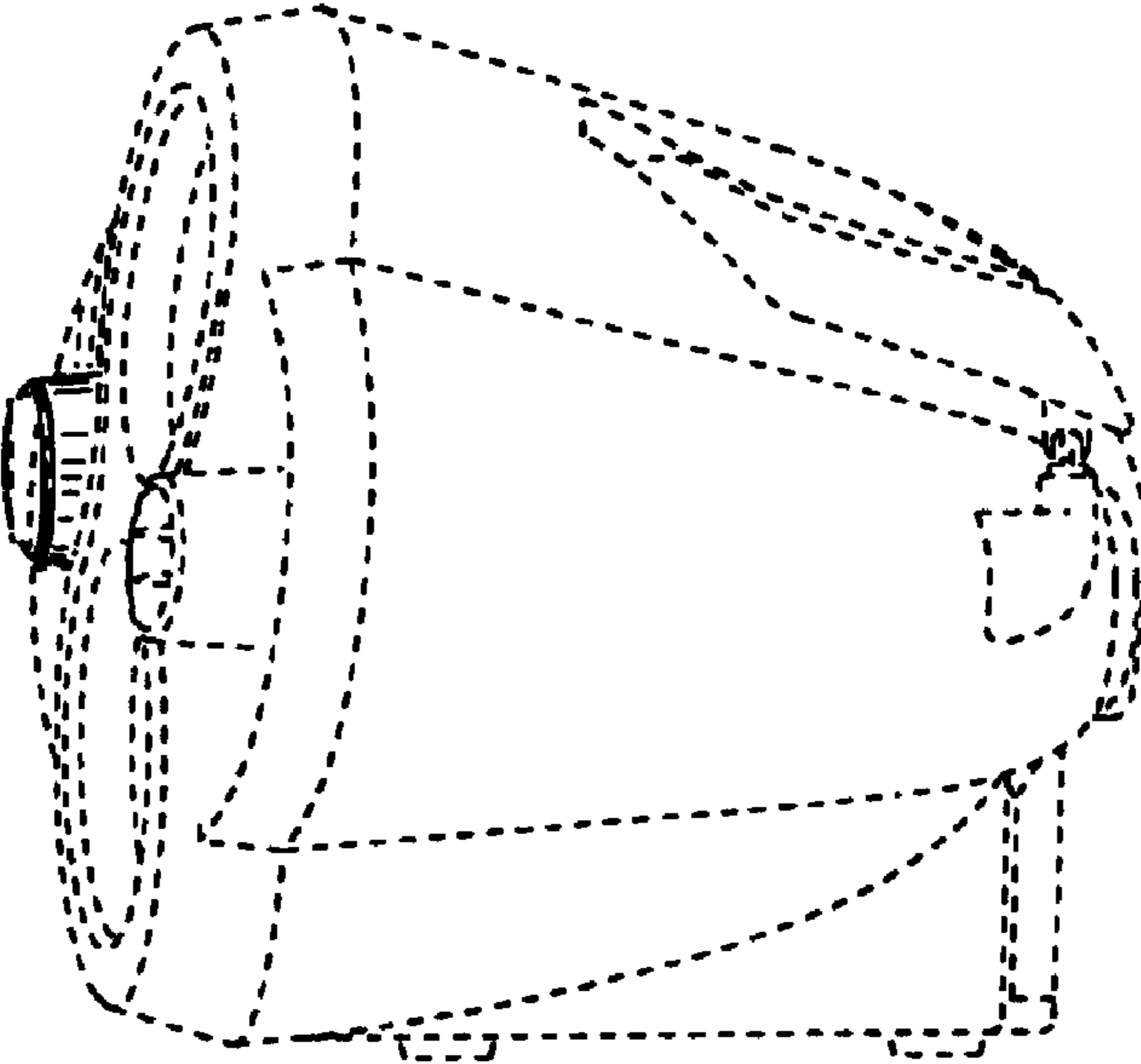


FIG. 4

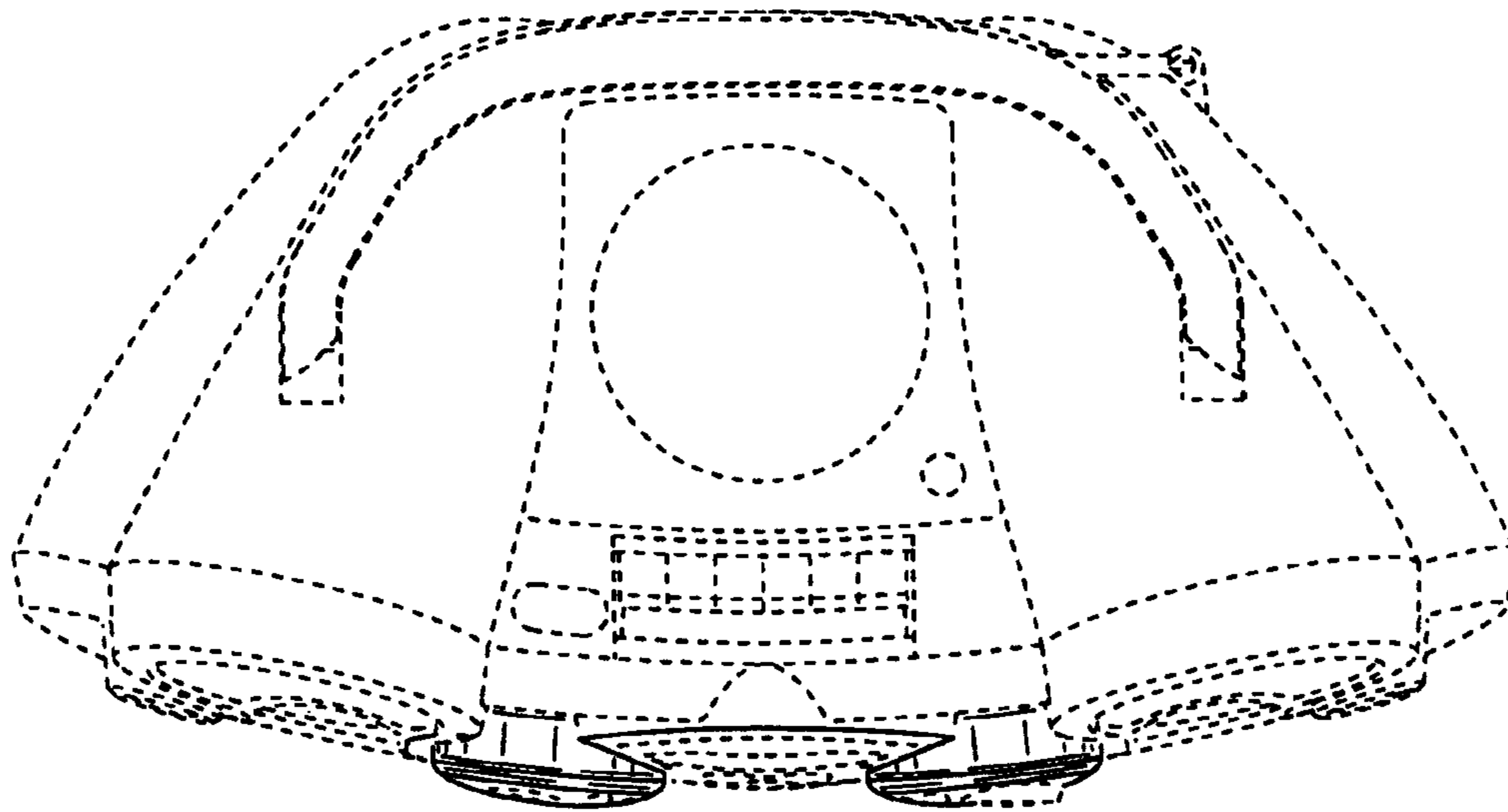


FIG. 5

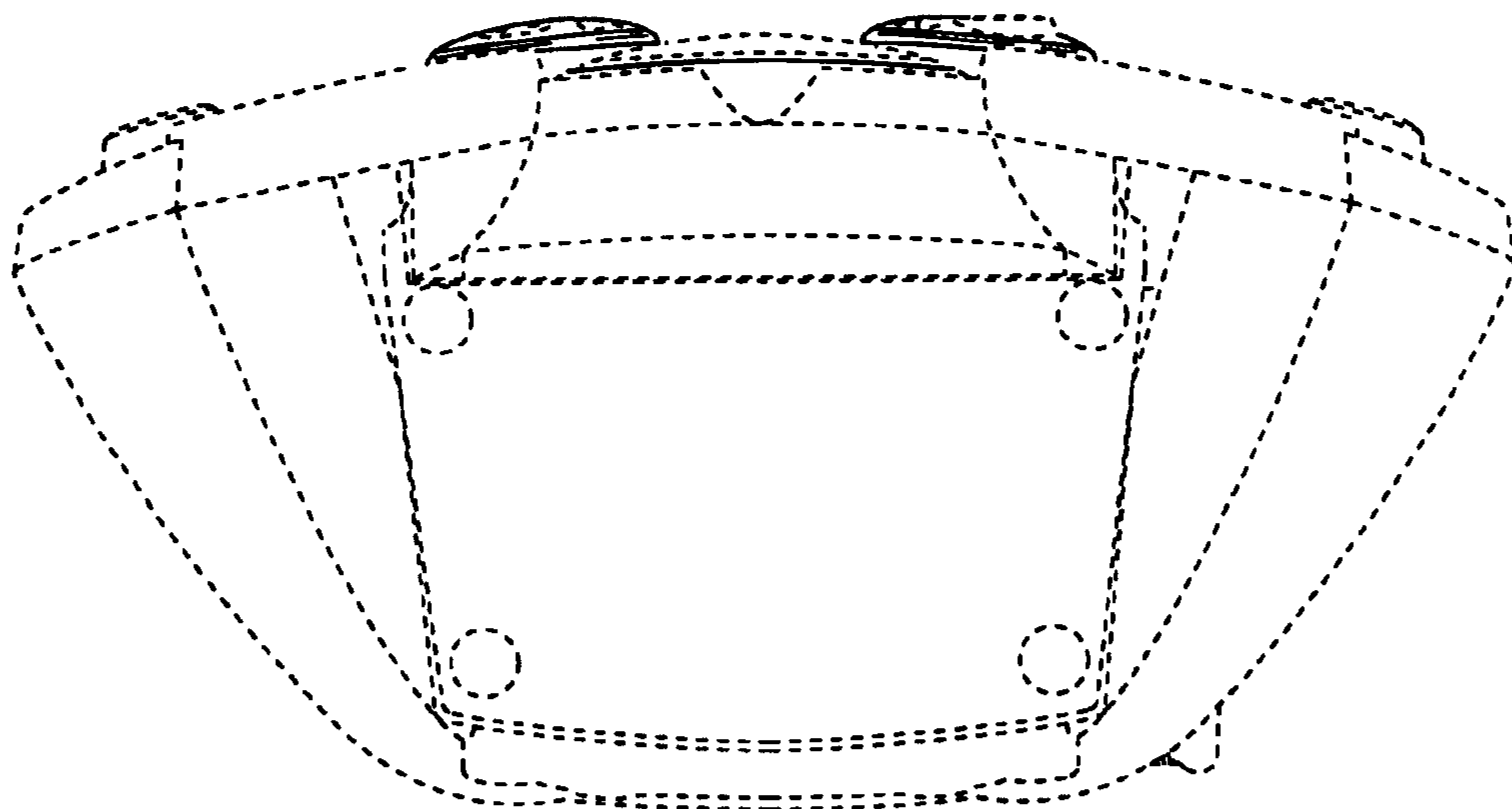


FIG. 6