



US00D508905S

(12) **United States Design Patent**
Houghton et al.

(10) **Patent No.:** **US D508,905 S**

(45) **Date of Patent:** **** Aug. 30, 2005**

(54) **CD PLAYER**

(75) Inventors: **Christopher Houghton**, Chicago, IL (US); **Chris Labak**, Shrewsbury, MA (US); **Andrew Olcott**, Brighton, MA (US); **David Seal**, Chicago, IL (US); **Laura Kay Taylor**, Allston, MA (US)

(73) Assignee: **Bose Corporation**, Framingham, MA (US)

(**) Term: **14 Years**

(21) Appl. No.: **29/196,292**

(22) Filed: **Dec. 24, 2003**

(51) **LOC (8) Cl.** **14-01**

(52) **U.S. Cl.** **D14/156**

(58) **Field of Search** D14/135-136,
D14/156-157, 160-165, 167-168, 192-198,
217; 455/347-351; 369/75.1, 75.2, 77.1,
77.2

(56) **References Cited**

U.S. PATENT DOCUMENTS

D432,514 S * 10/2000 Nakamura et al. D14/156

D470,469 S * 2/2003 Hirano D14/156
D475,035 S * 5/2003 Takagi D14/156
D477,297 S * 7/2003 Matsuoka D14/156
D482,672 S * 11/2003 Takagi D14/156

* cited by examiner

Primary Examiner—Nanda Bondade

(74) *Attorney, Agent, or Firm*—Fish & Richardson P.C.

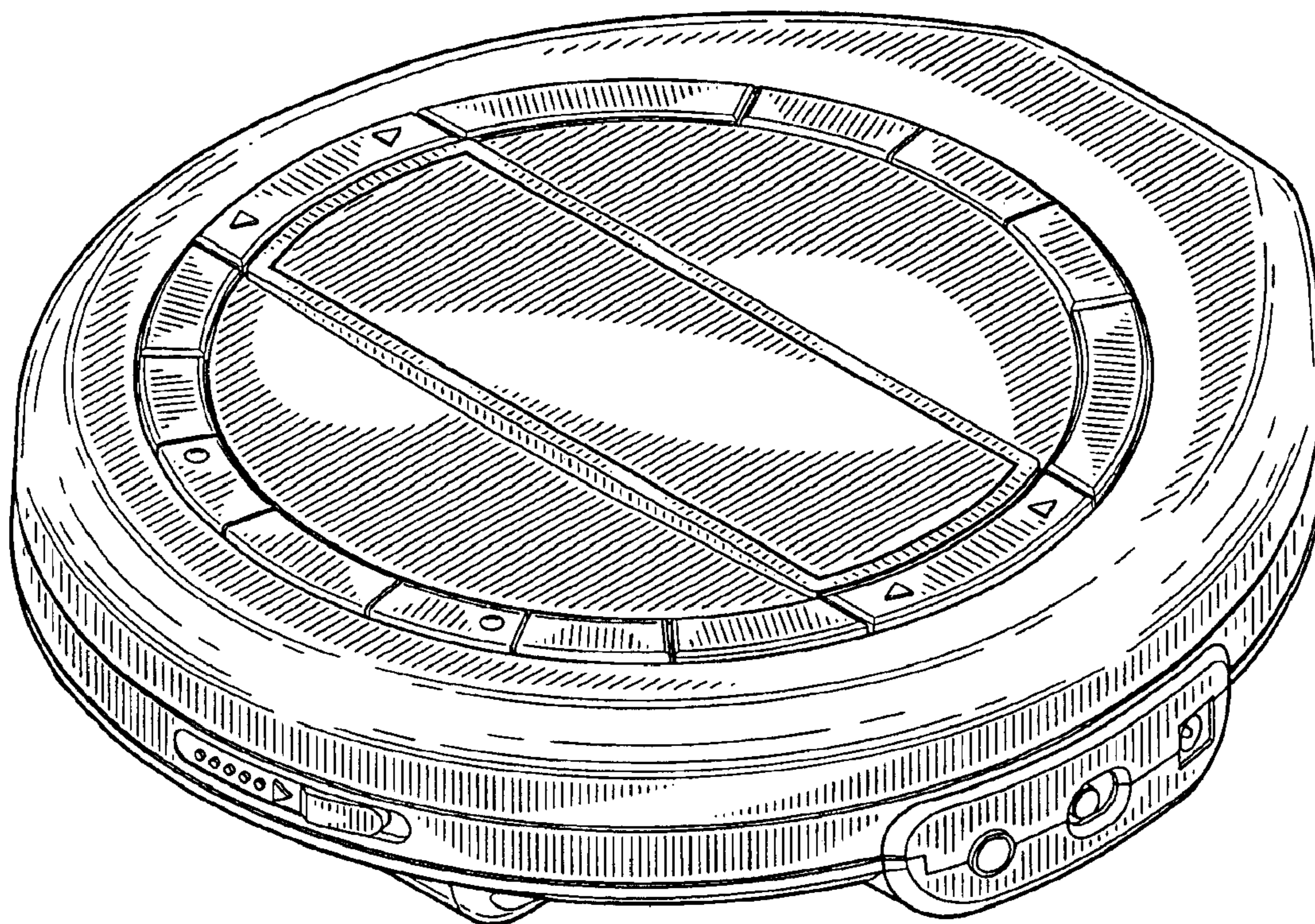
(57) **CLAIM**

The ornamental design for a CD player, substantially as shown and described.

DESCRIPTION

FIG. 1 is a perspective view of the CD player;
FIG. 2 is a front view thereof;
FIG. 3 is a view of one side thereof;
FIG. 4 is a view of the other side thereof;
FIG. 5 is a rear view thereof;
FIG. 6 is a top view thereof; and,
FIG. 7 is a bottom view thereof.

1 Claim, 5 Drawing Sheets



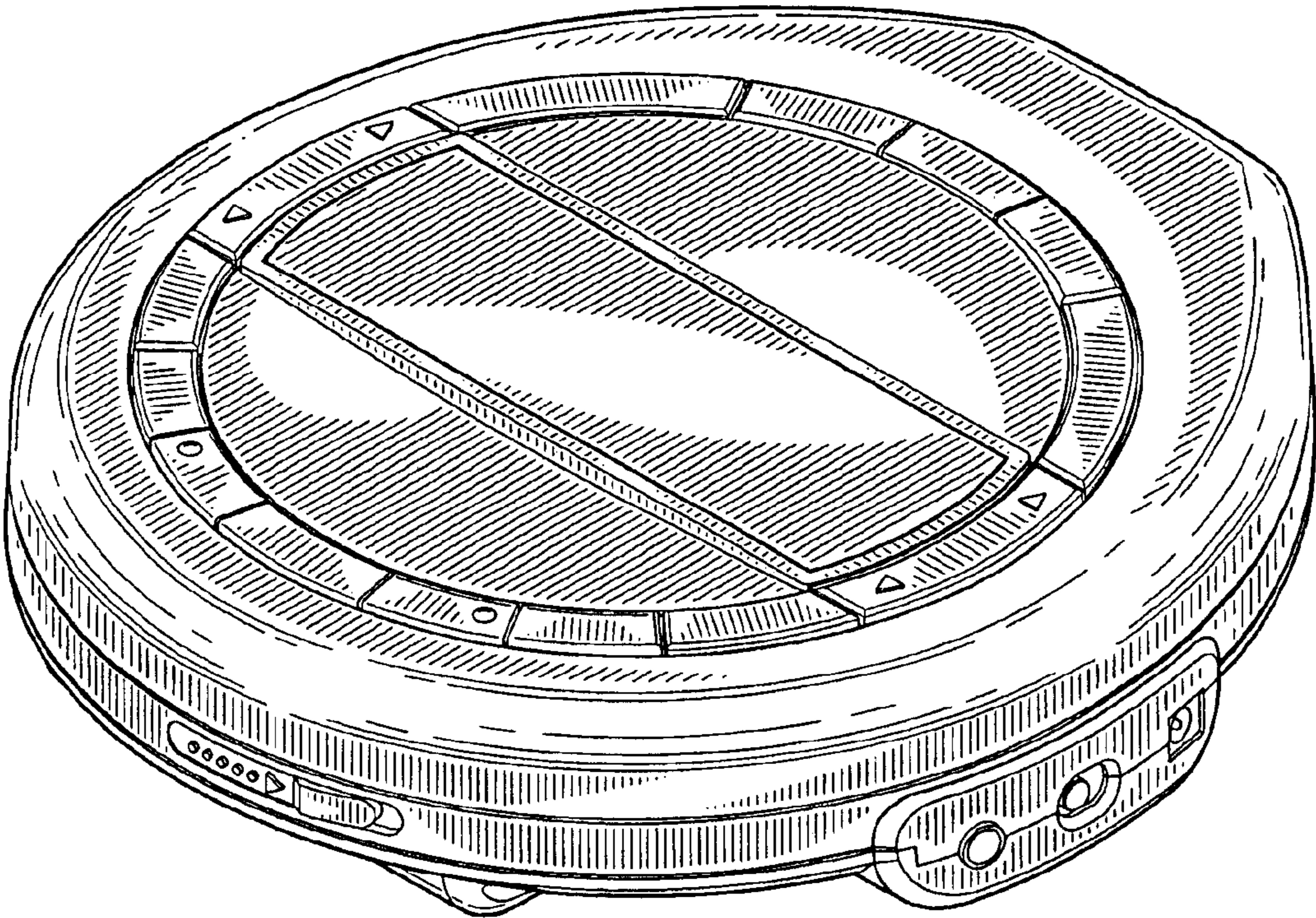


FIG. 1

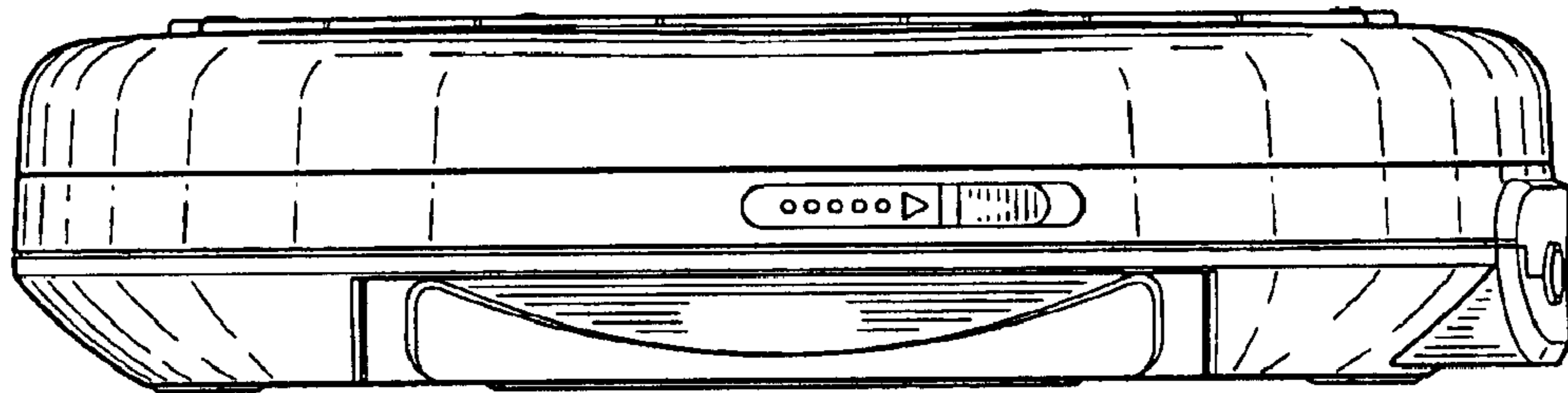


FIG. 2

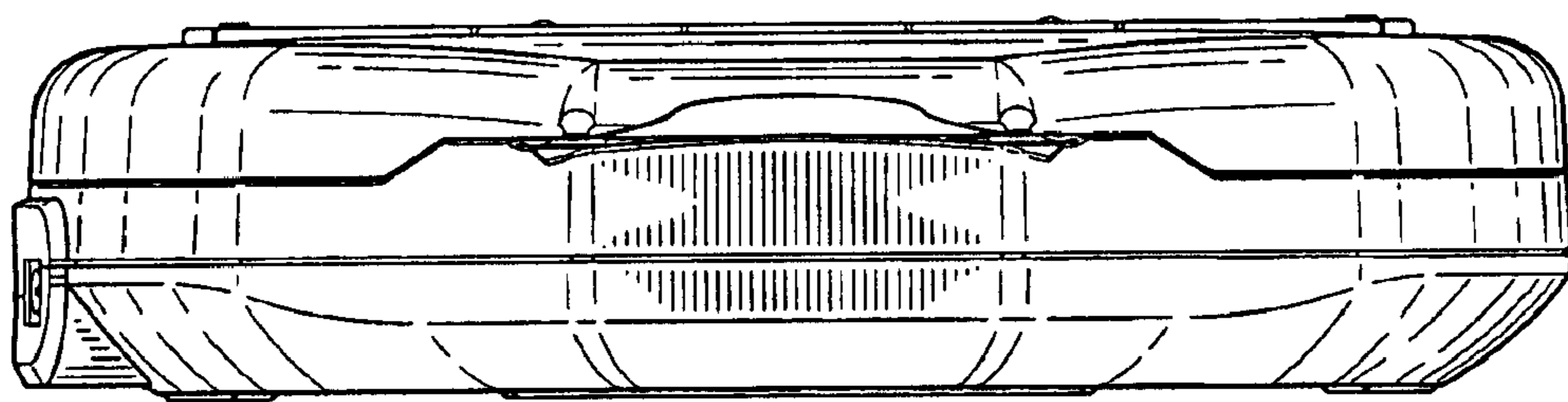


FIG. 3

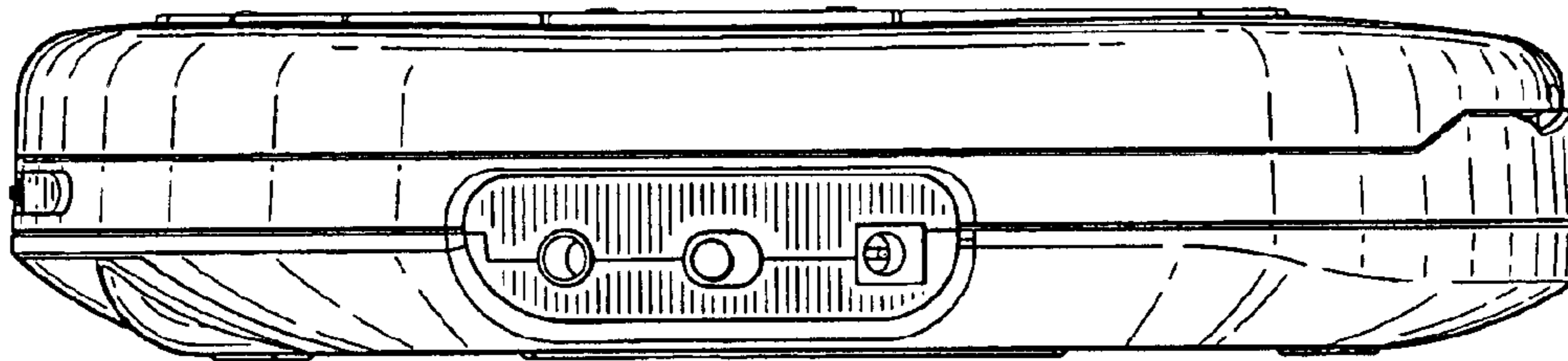


FIG. 4

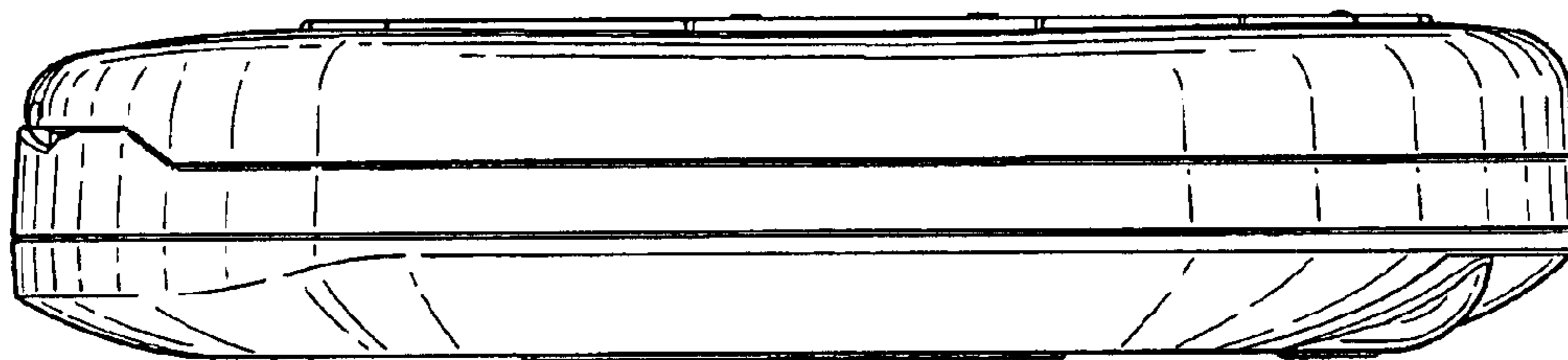


FIG. 5

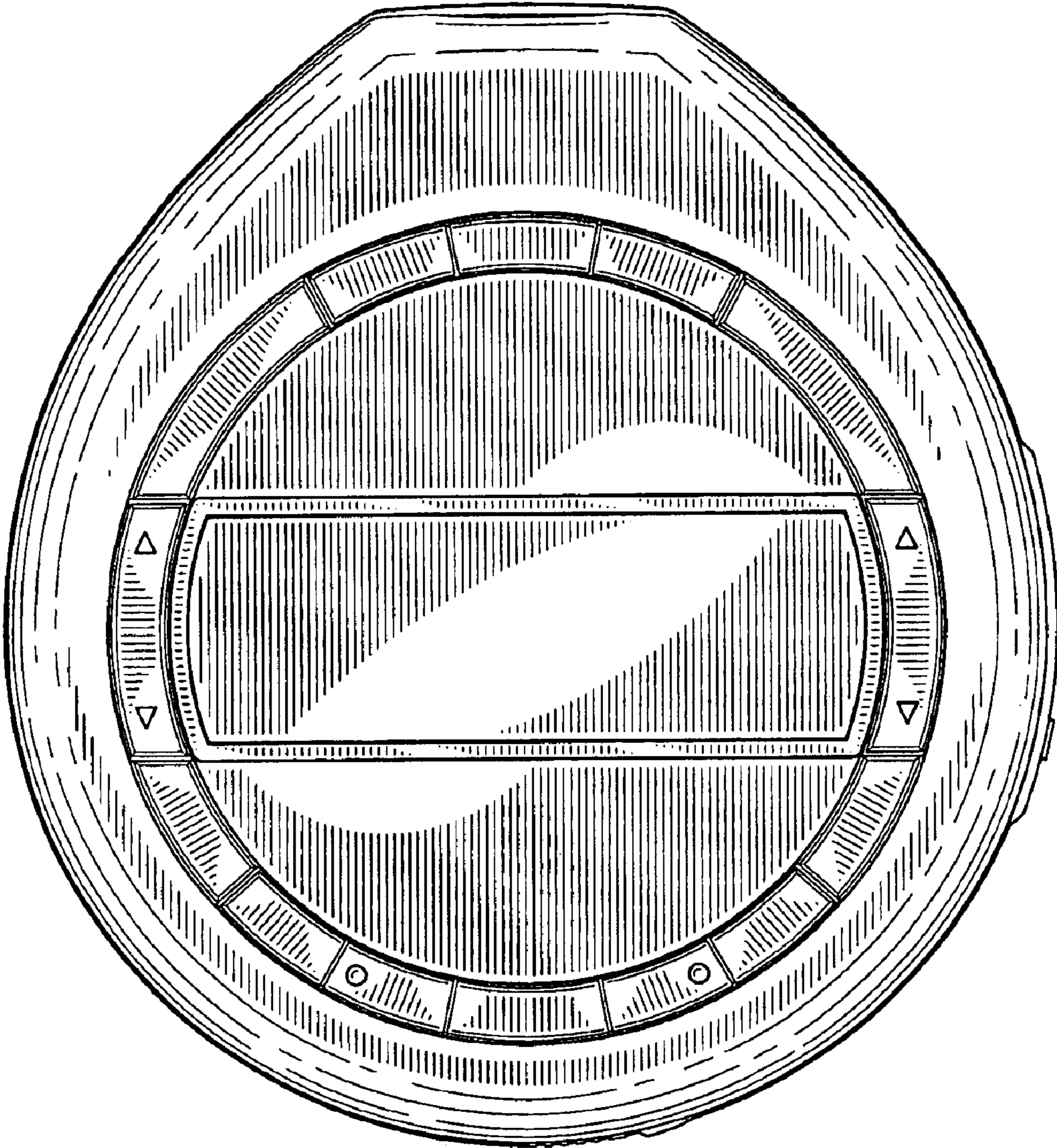


FIG. 6

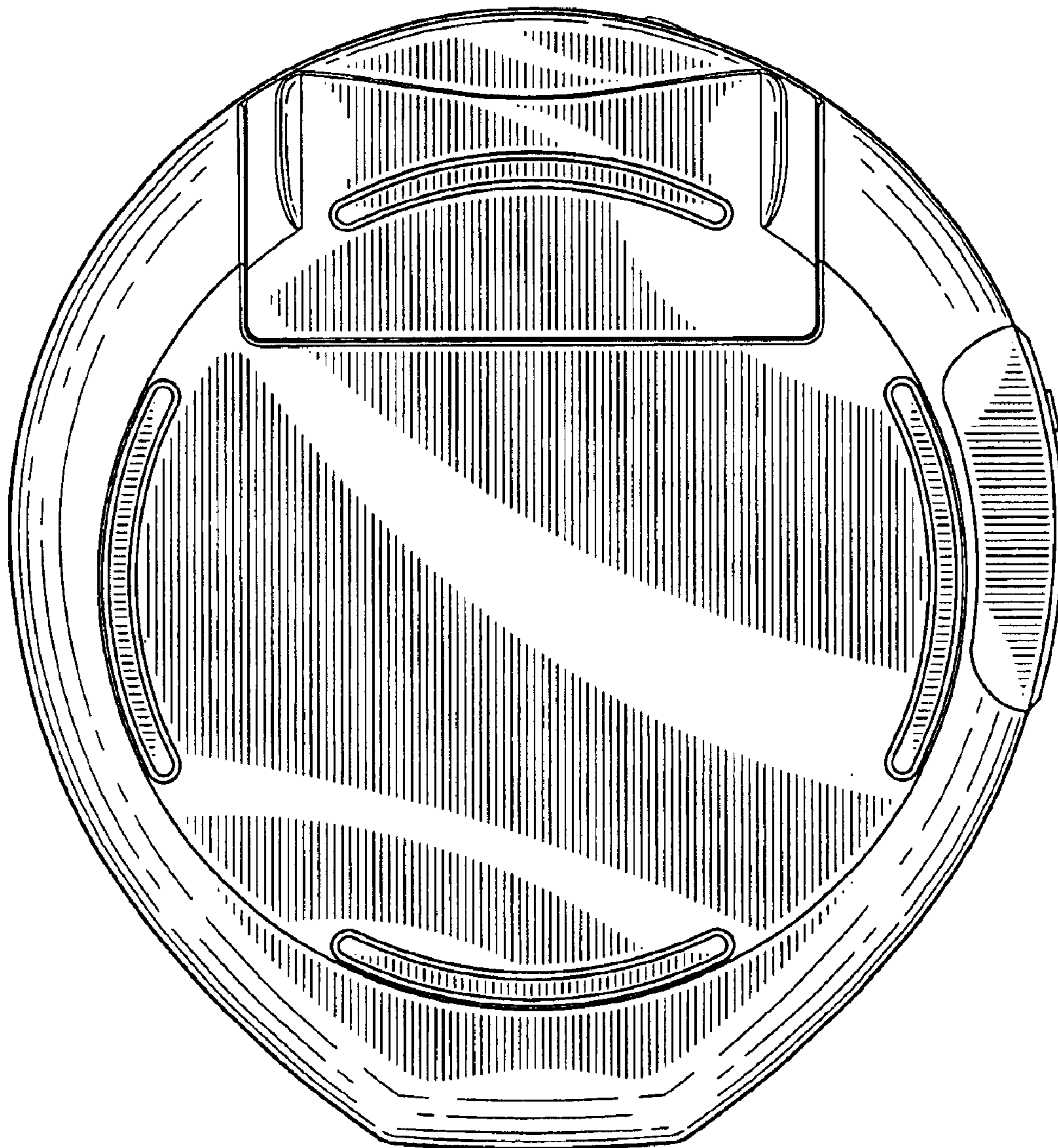


FIG. 7