

US00D508904S

(12) **United States Design Patent**
Schwald

(10) **Patent No.:** **US D508,904 S**

(45) **Date of Patent:** **** Aug. 30, 2005**

(54) **PORTABLE TRANSMITTER FOR RADIO HEADPHONES**

(75) Inventor: **Christoph Schwald, Vienna (AT)**

(73) Assignee: **AKG Acoustics GmbH, Vienna (AT)**

(**) Term: **14 Years**

(21) Appl. No.: **29/195,787**

(22) Filed: **Dec. 17, 2003**

(30) **Foreign Application Priority Data**

Jun. 17, 2003 (EM) 000041918

(51) **LOC (8) Cl.** **14-03**

(52) **U.S. Cl.** **D14/155**

(58) **Field of Search** D14/155, 230,
D14/191, 238; D10/78, 70; D13/168; D19/49;
381/187, 25, 183; 379/444

(56) **References Cited**

U.S. PATENT DOCUMENTS

- D280,896 S * 10/1985 Campbell et al. D14/155
- D299,335 S * 1/1989 Wiegel D14/225
- D310,670 S * 9/1990 Sheriff D14/230
- D347,187 S * 5/1994 Chou D10/78
- D351,562 S * 10/1994 Moffatt et al. D10/78

- D383,988 S * 9/1997 Luebke D10/78
- D410,203 S * 5/1999 Beha D10/78
- D425,803 S * 5/2000 Luebke et al. D10/70
- D442,564 S * 5/2001 Ohkuma D13/168
- D443,596 S * 6/2001 Ohkuma D13/168
- D471,828 S * 3/2003 Huang D10/78
- D501,415 S * 2/2005 Seymour D10/78

* cited by examiner

Primary Examiner—Joel A. Sincavage

Assistant Examiner—Austin Murphy

(74) *Attorney, Agent, or Firm*—Friedrich Kueffner

(57) **CLAIM**

The ornamental design for a portable transmitter for radio headphones, as shown and described.

DESCRIPTION

FIG. 1 is a top view of a portable transmitter for radio headphones showing my new design;

FIG. 2 is a perspective top view thereof;

FIG. 3 is a bottom view thereof;

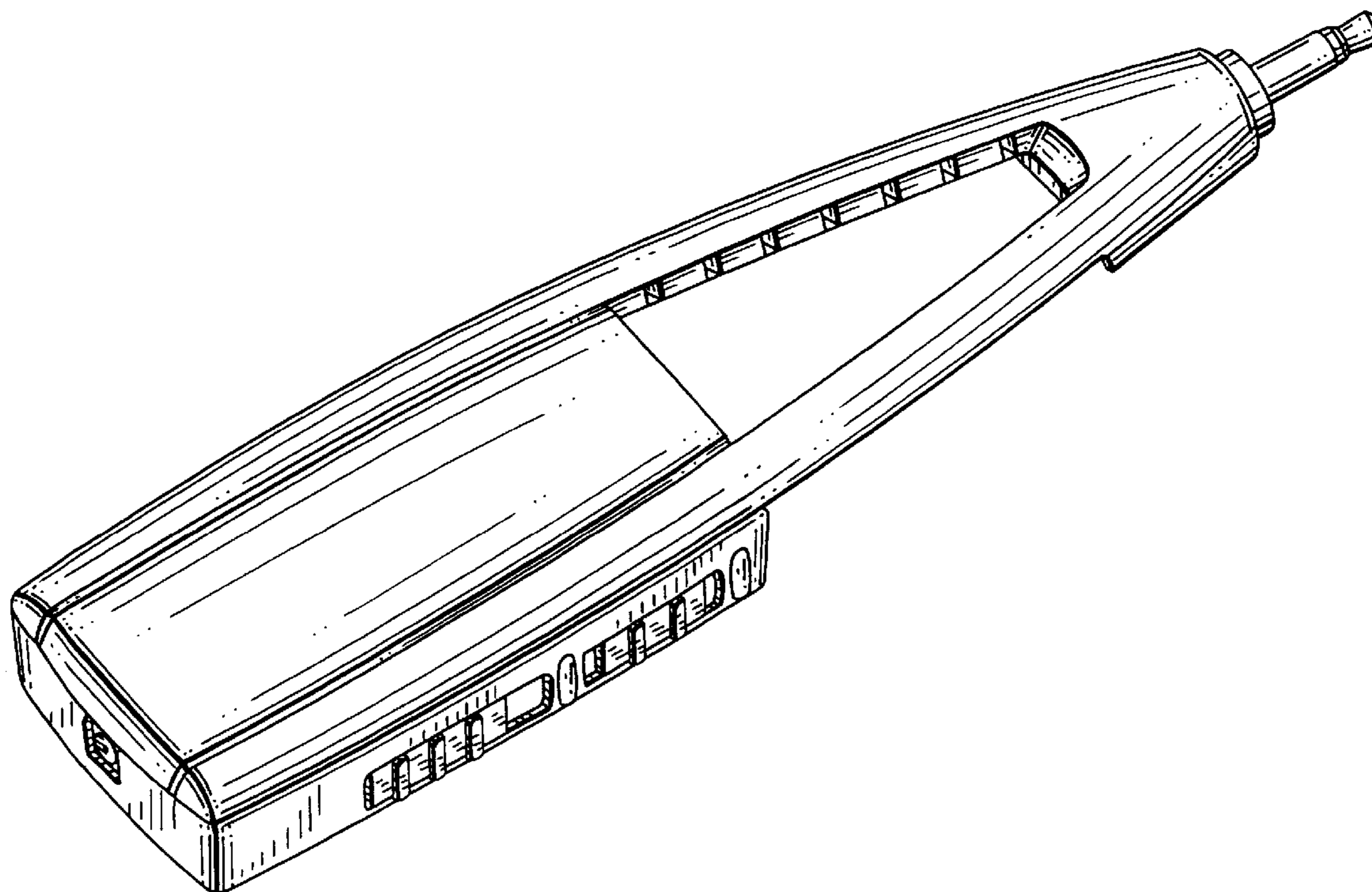
FIG. 4 is a side view thereof;

FIG. 5 is a another side view thereof;

FIG. 6 is a front view thereof; and,

FIG. 7 is a rear view thereof.

1 Claim, 6 Drawing Sheets



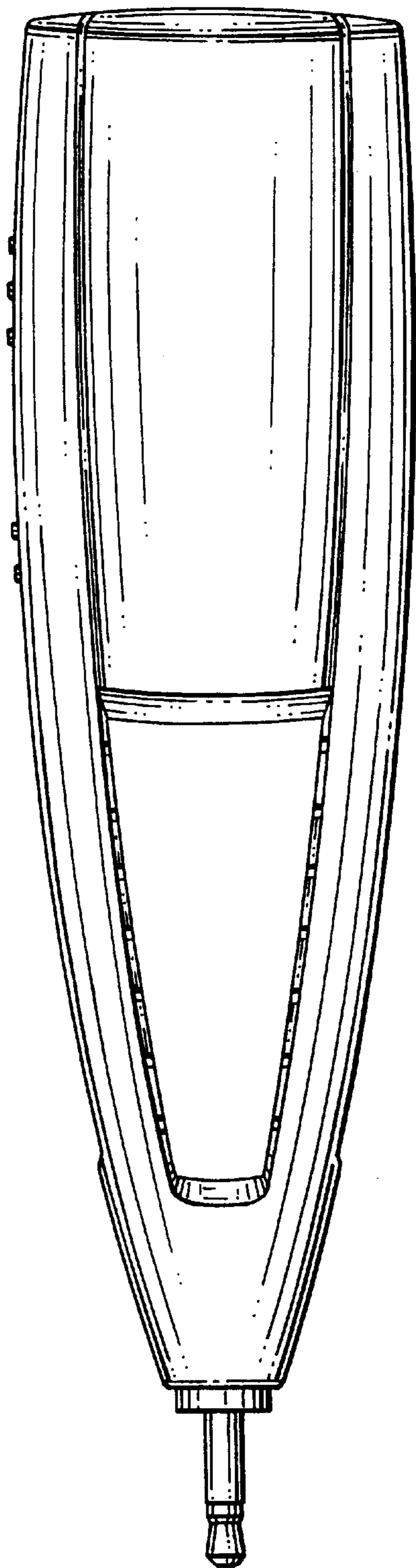


FIG. 1

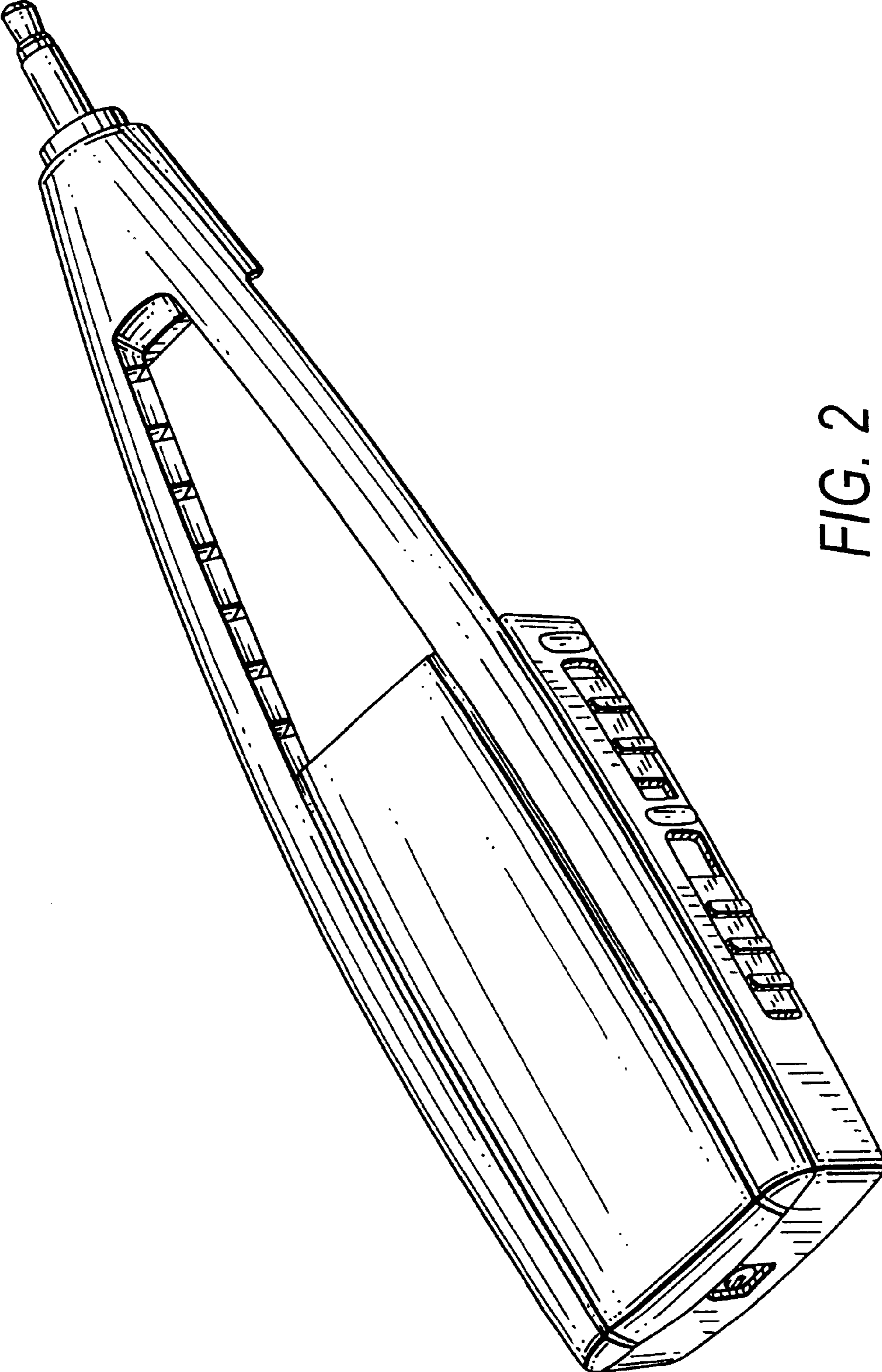


FIG. 2

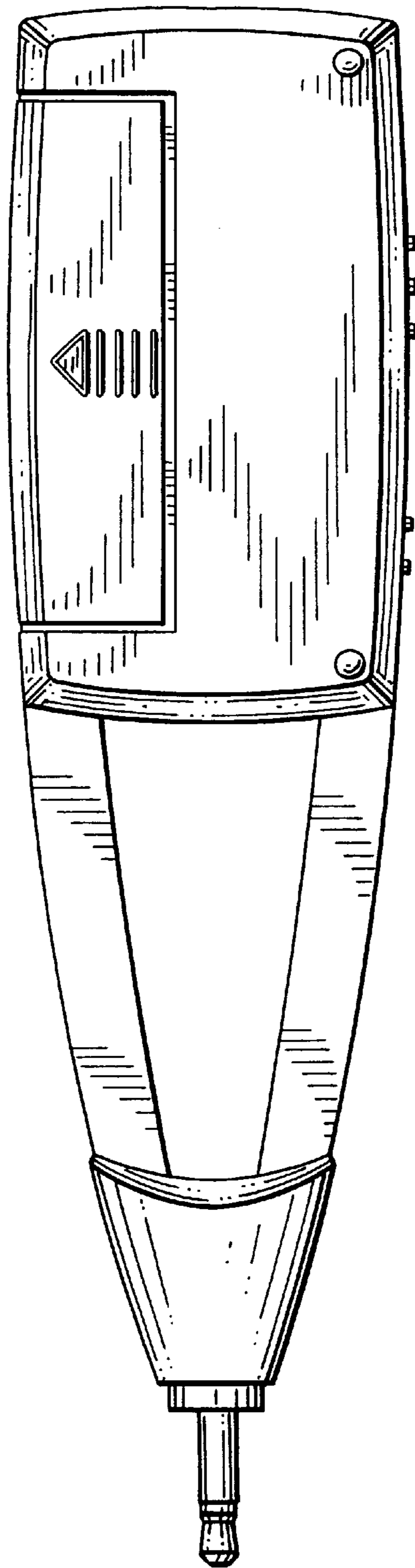


FIG. 3

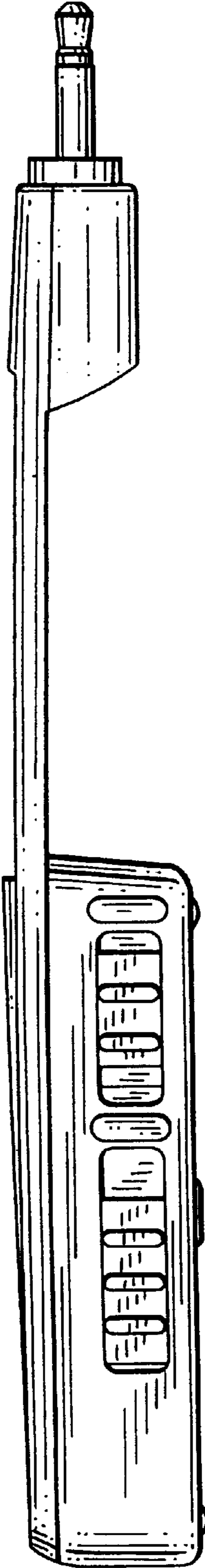


FIG. 4

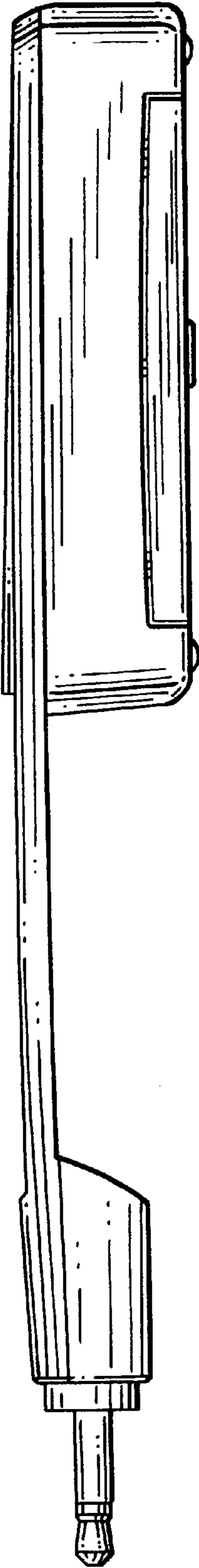


FIG. 5

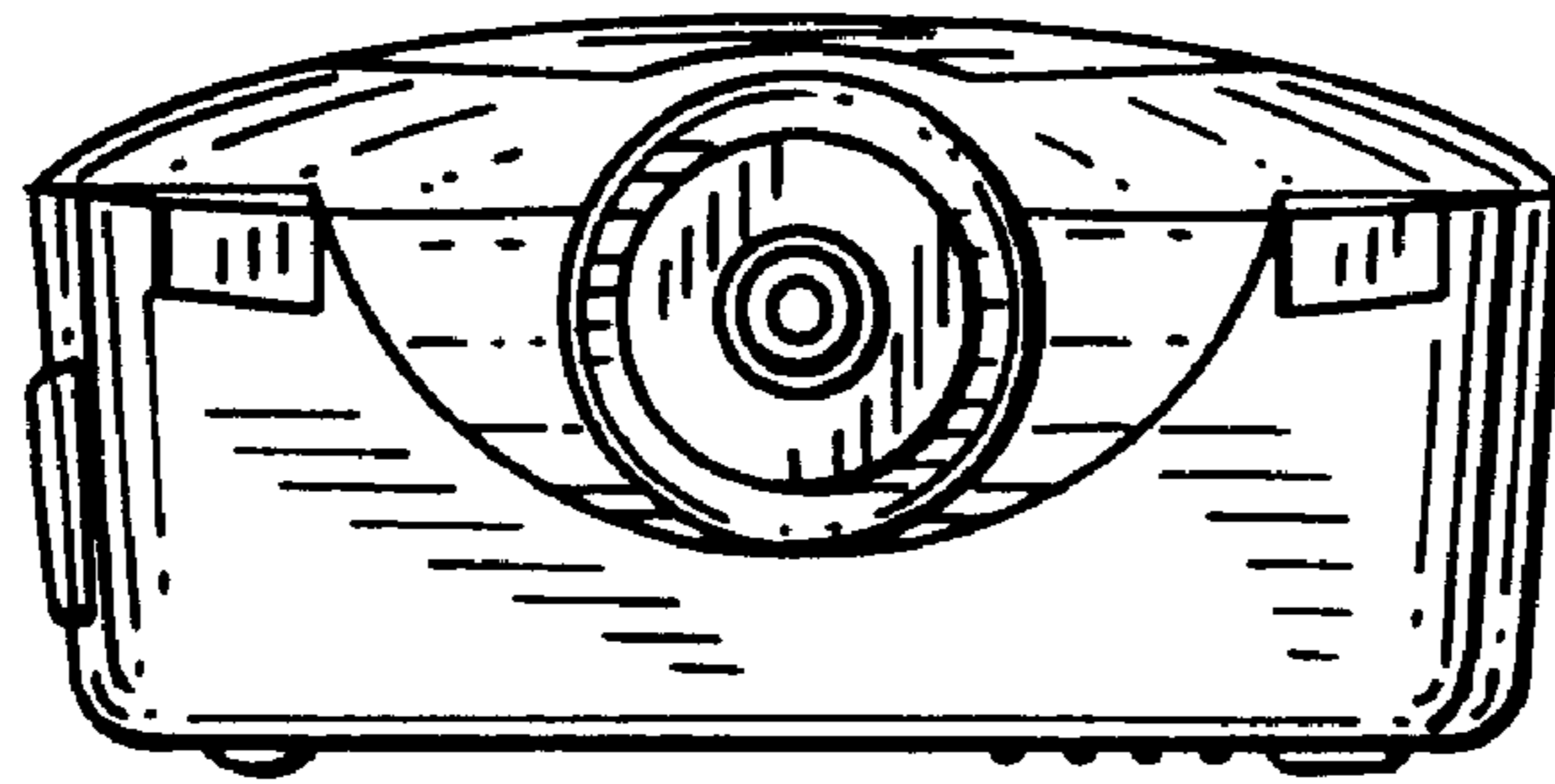


FIG. 6

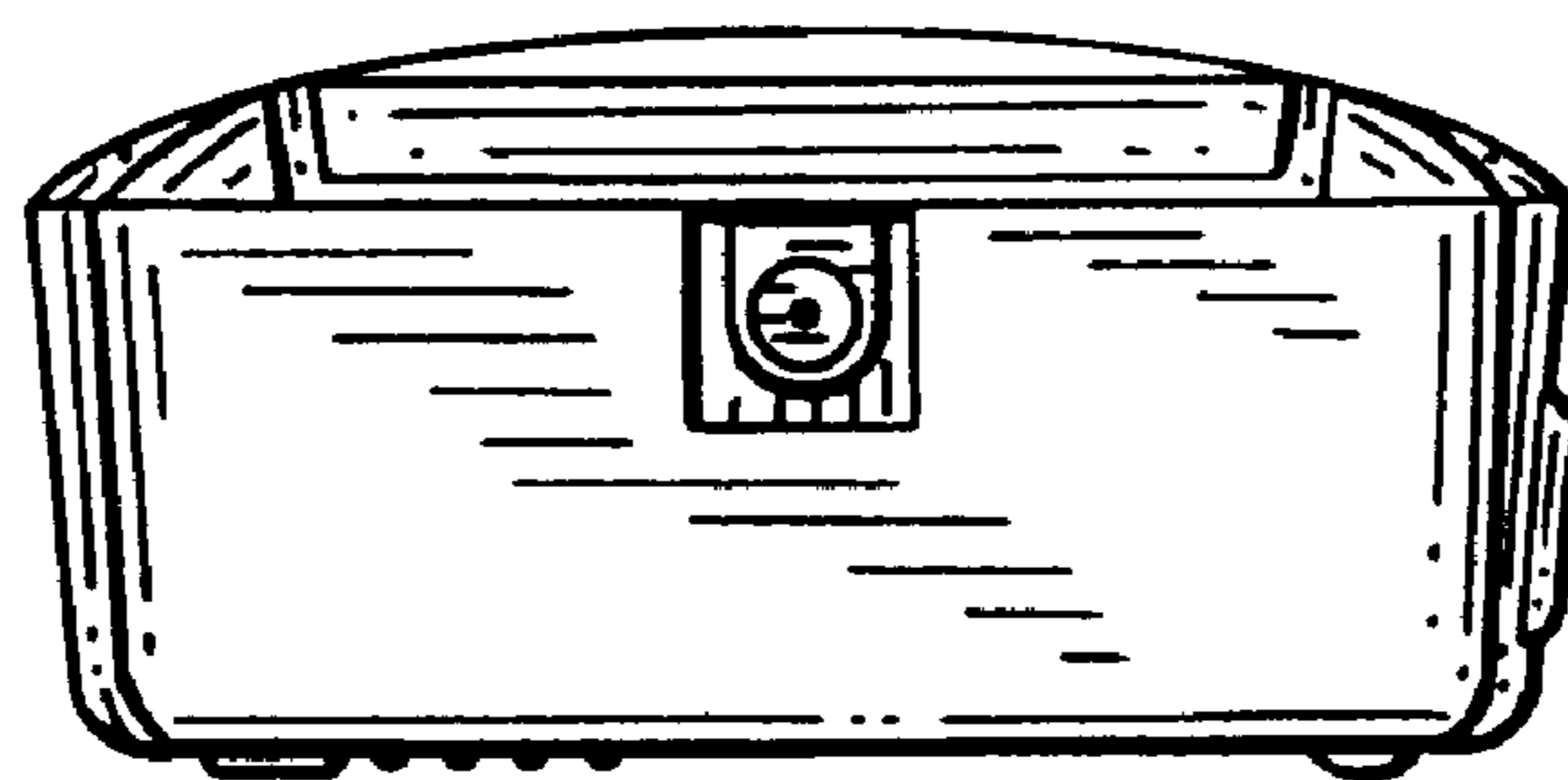


FIG. 7