

US00D508901S

(12) **United States Design Patent**
Wu

(10) **Patent No.:** **US D508,901 S**

(45) **Date of Patent:** **** Aug. 30, 2005**

(54) **MULTI-MEDIA DVD RECORDING AND/OR REPRODUCING DEVICE**

(75) **Inventor:** **Chun-Ting Wu, Hsinchu (TW)**

(73) **Assignee:** **Lite-On It Corporation, Taipei (TW)**

(**) **Term:** **14 Years**

(21) **Appl. No.:** **29/203,984**

(22) **Filed:** **Apr. 22, 2004**

(30) **Foreign Application Priority Data**

Feb. 27, 2004 (TW) 93301074

(51) **LOC (8) Cl.** **14-01**

(52) **U.S. Cl.** **D14/136**

(58) **Field of Search** D14/135-136,
D14/156-157, 160-165, 167-168, 192-198,
188, 217, 257, 258, 445; 360/99.02, 99.07;
369/75.11, 75.21, 77.11, 77.21; 720/612,
619, 647, 655; 455/344, 347-351

(56) **References Cited**

U.S. PATENT DOCUMENTS

4,434,480 A * 2/1984 Fukumitsu 369/77.21

D420,350 S * 2/2000 Matsuzaka D14/135
D429,706 S * 8/2000 Miyazaki D14/135
D436,089 S * 1/2001 Nishiwaki et al. D14/135
D480,373 S * 10/2003 Oda et al. D14/136

* cited by examiner

Primary Examiner—Nanda Bondade

(74) *Attorney, Agent, or Firm*—Thomas, Kayden,
Horstemeyer & Risley

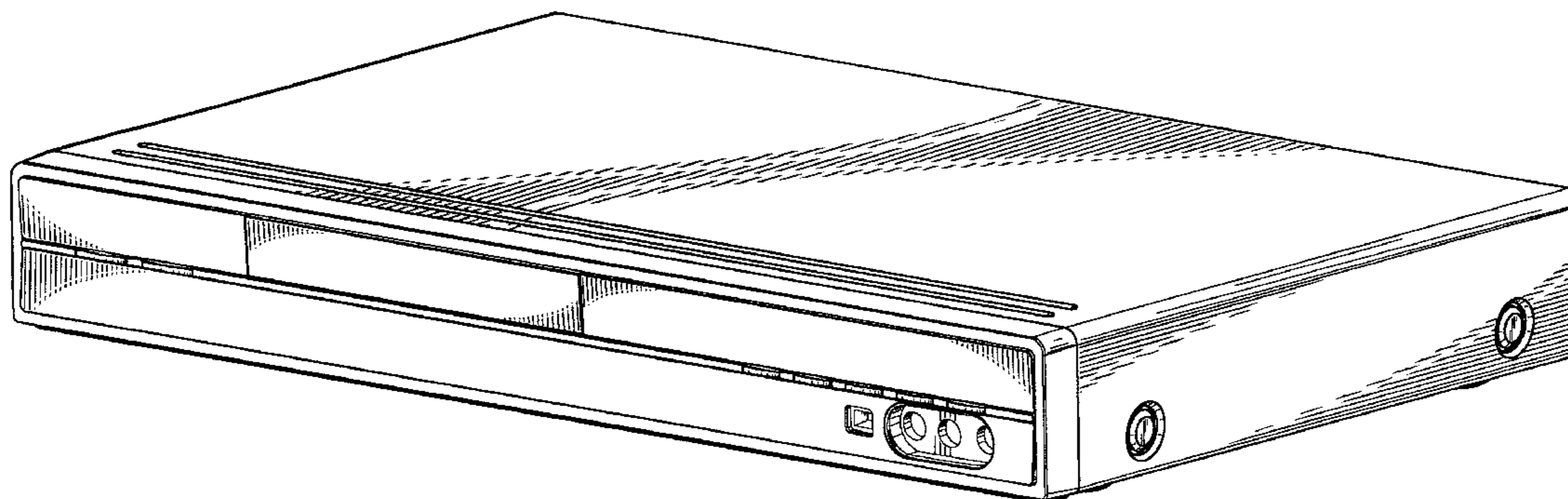
(57) **CLAIM**

The ornamental design for a multi-media DVD recording and/or reproducing device, as shown.

DESCRIPTION

FIG. 1 is a perspective view of multi-media DVD recording and/or reproducing device showing my new design;
FIG. 2 is a front elevational view thereof;
FIG. 3 is a rear elevational view thereof;
FIG. 4 is a left side elevational view thereof;
FIG. 5 is a right side elevational view thereof;
FIG. 6 is a top plan view thereof; and,
FIG. 7 is a bottom plan view thereof.
FIGS. 4 and 5 are on an enlarged scale.

1 Claim, 5 Drawing Sheets



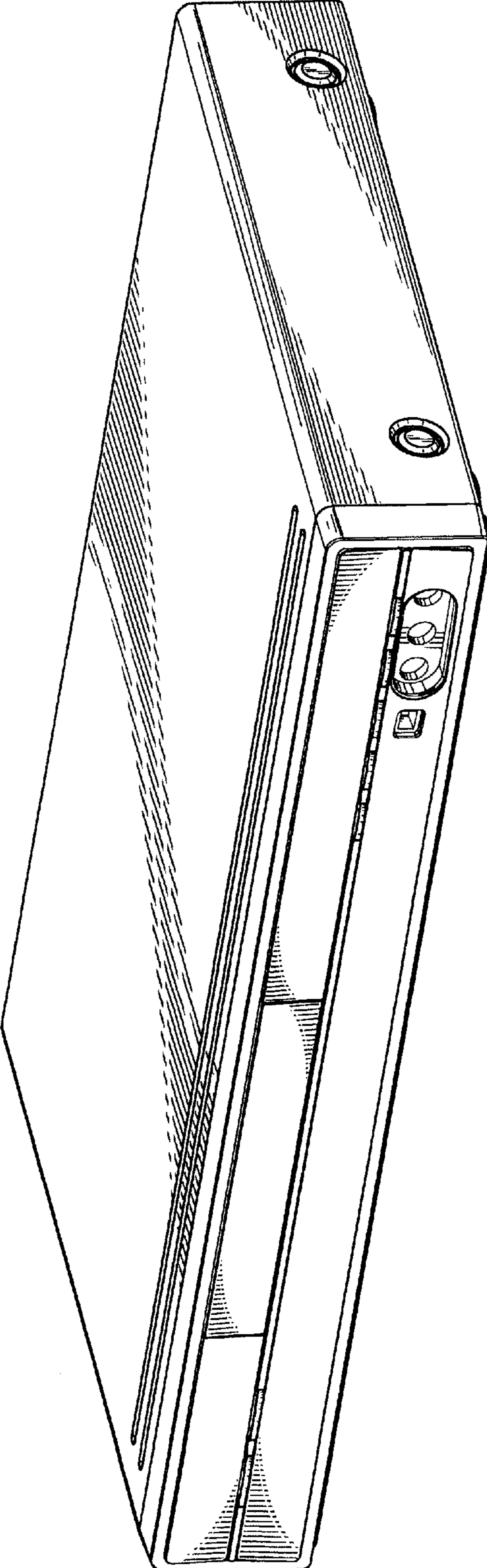


Fig. 1

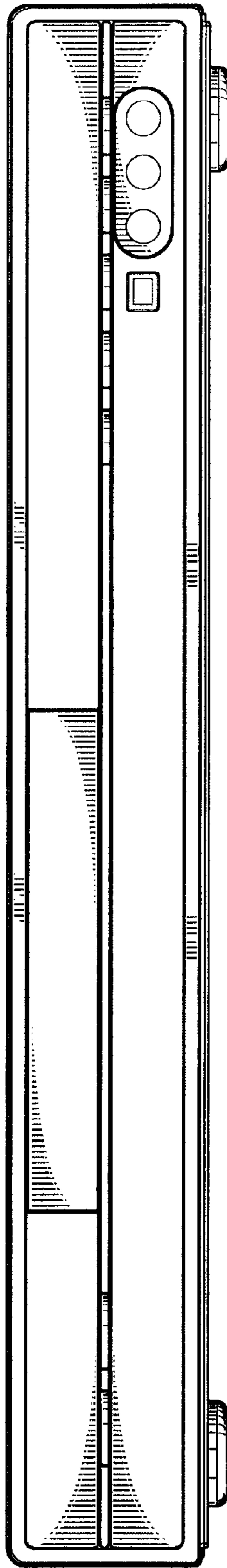


Fig. 2

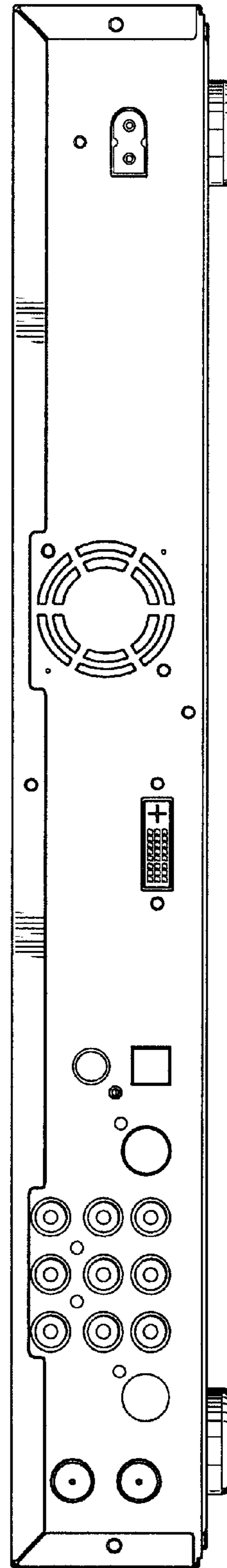


Fig. 3

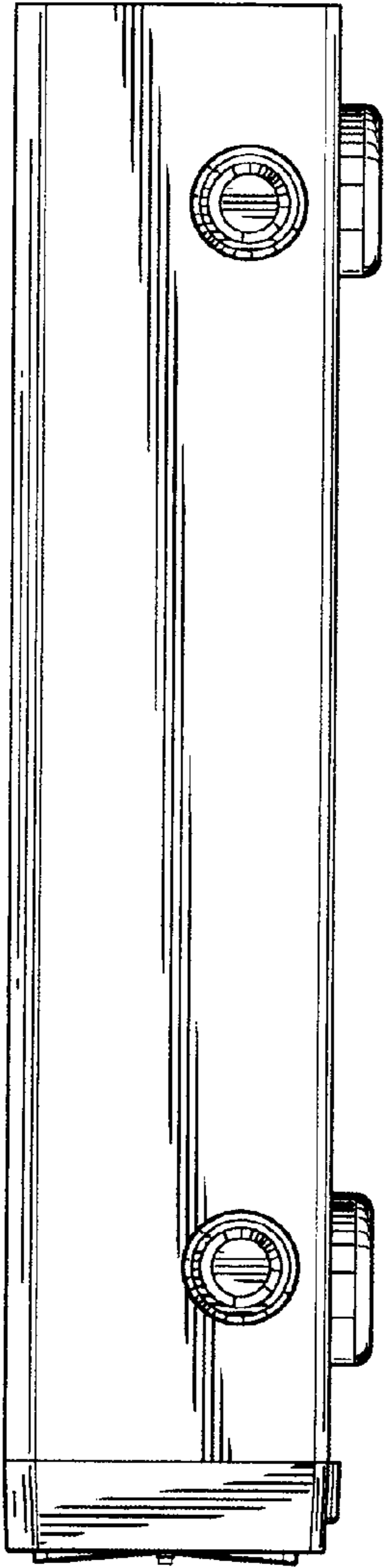


Fig. 4

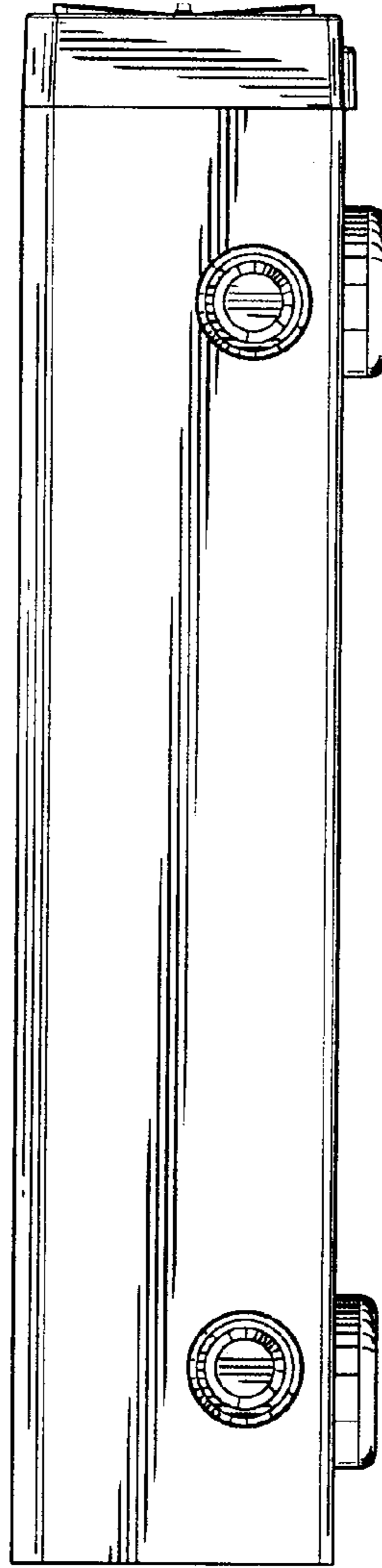


Fig. 5

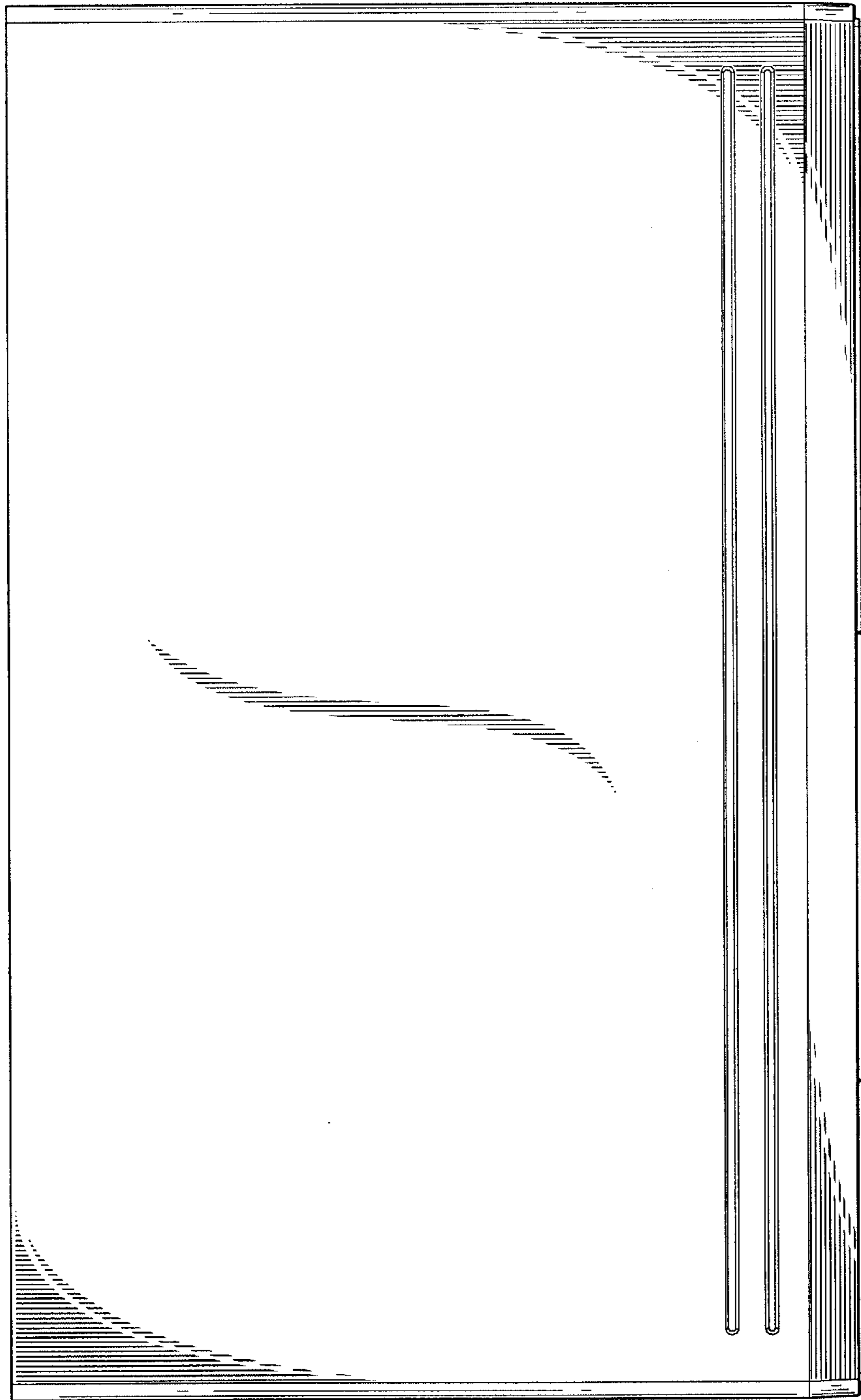


Fig. 6

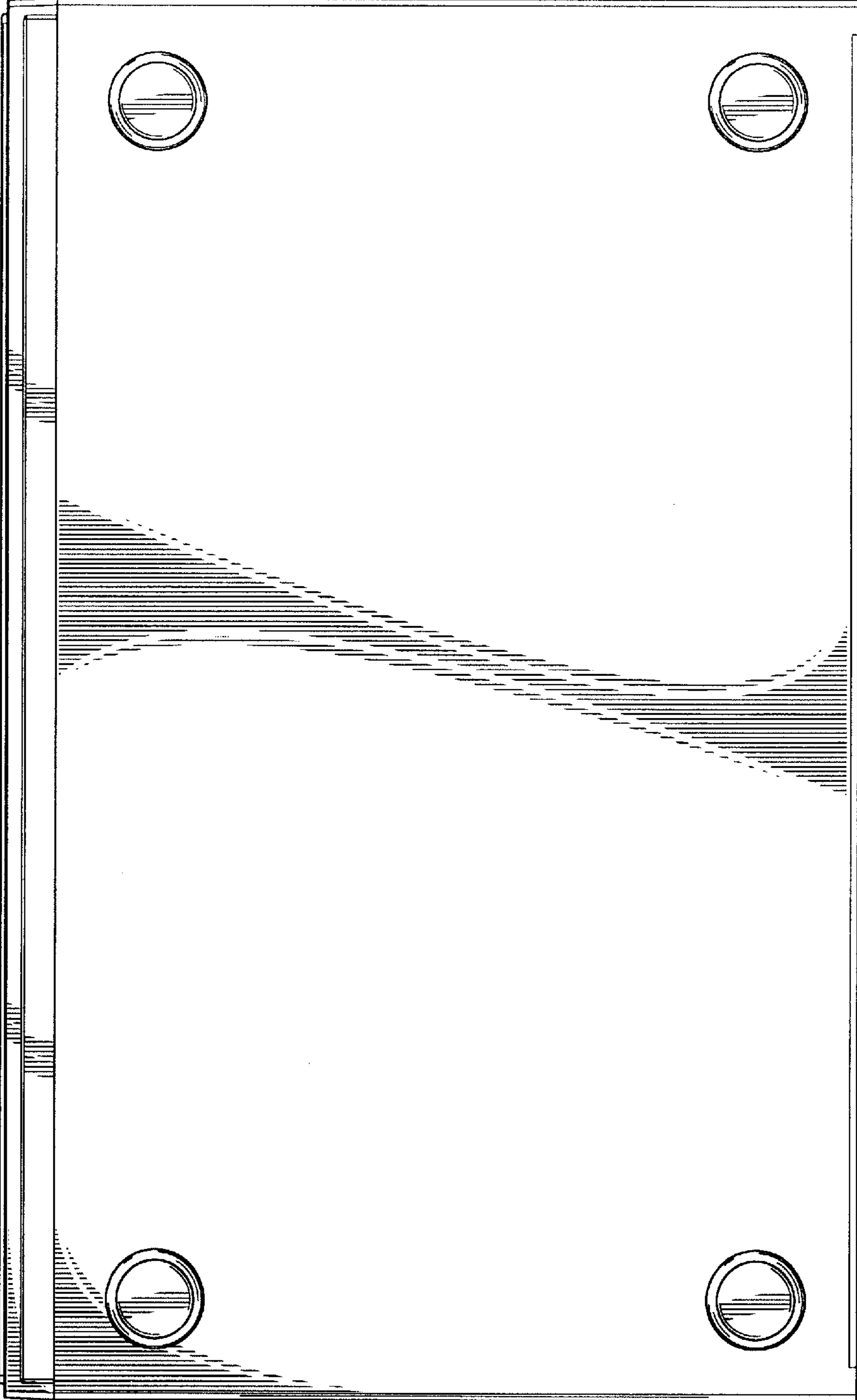


Fig. 7