

US00D508899S

(12) **United States Design Patent**
Suzuki

(10) **Patent No.:** **US D508,899 S**

(45) **Date of Patent:** **** Aug. 30, 2005**

(54) **TUNER FOR TELEVISION RECEIVER**

D471,882 S * 3/2003 Lan D14/125

D484,129 S 12/2003 Hyogo

D491,539 S * 6/2004 Takuma D14/125

(75) Inventor: **Shigeaki Suzuki**, Tokyo (JP)

* cited by examiner

(73) Assignee: **Sony Corporation**, Tokyo (JP)

Primary Examiner—Raphael Barkai

(**) Term: **14 Years**

(74) *Attorney, Agent, or Firm*—Rader, Fishman & Grauer PLLC

(21) Appl. No.: **29/206,955**

(22) Filed: **Jun. 8, 2004**

(57) **CLAIM**

(51) **LOC (8) Cl.** **14-03**

The ornamental design for a tuner for television receiver, as shown.

(52) **U.S. Cl.** **D14/125**

(58) **Field of Search** D14/299, 356,
D14/242, 361-363, 365, 466, 125, 126,
432, 135-136, 239, 357; 348/460, 10; 361/690-696;
312/208.1, 223.2; 455/3.1-3.2, 6.1-6.3,
3.04

DESCRIPTION

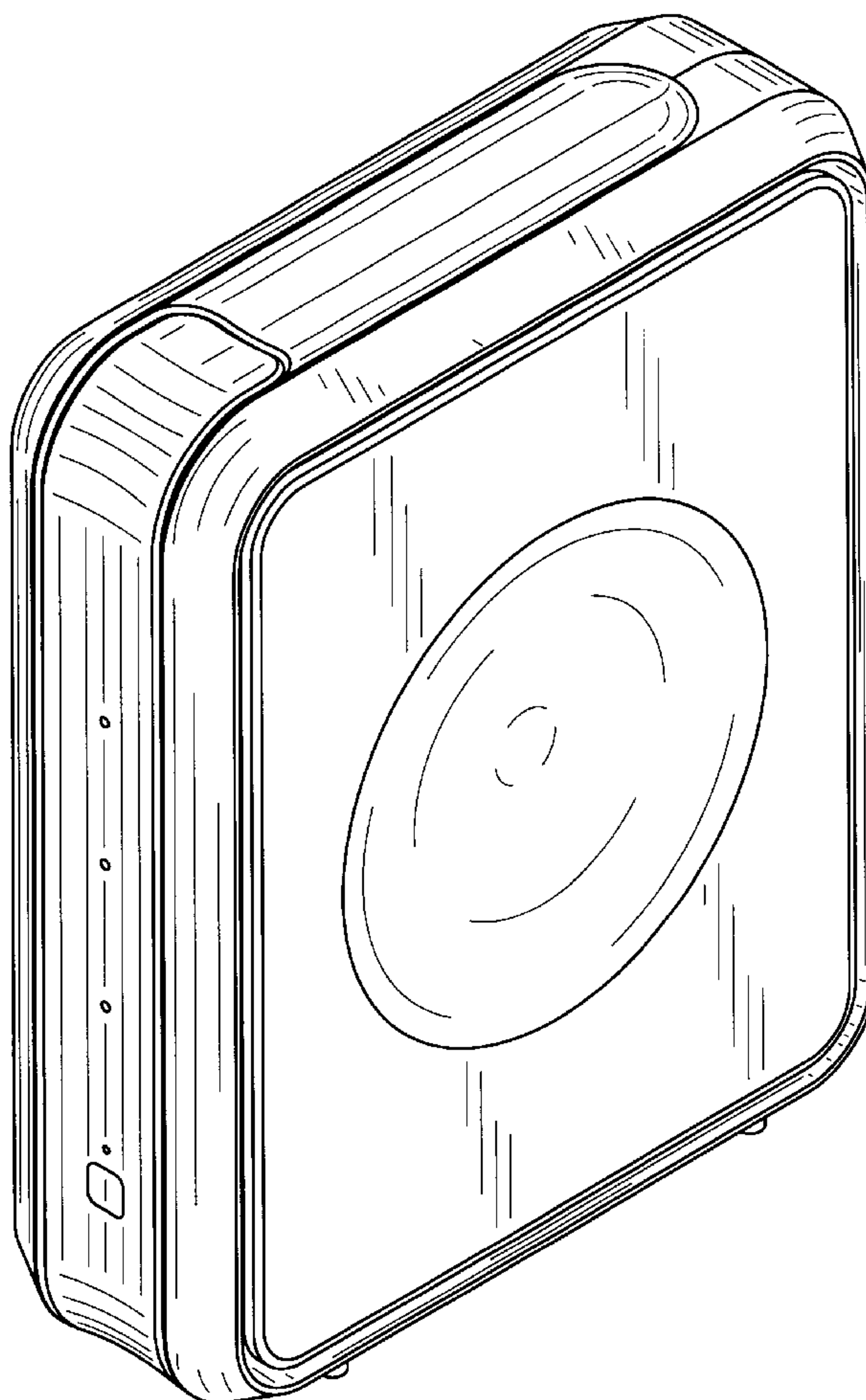
FIG. 1 is a perspective view of a tuner for television receiver showing my new design;
FIG. 2 is a front elevational view thereof;
FIG. 3 is a rear elevational view thereof;
FIG. 4 is a left side elevational view thereof;
FIG. 5 is a right side elevational view thereof;
FIG. 6 is a top plan view thereof; and,
FIG. 7 is a bottom plan view thereof.

(56) **References Cited**

U.S. PATENT DOCUMENTS

D405,092 S * 2/1999 Ohshima et al. D14/239
D417,223 S * 11/1999 Groves et al. D14/242
D470,848 S 2/2003 Morooka

1 Claim, 4 Drawing Sheets



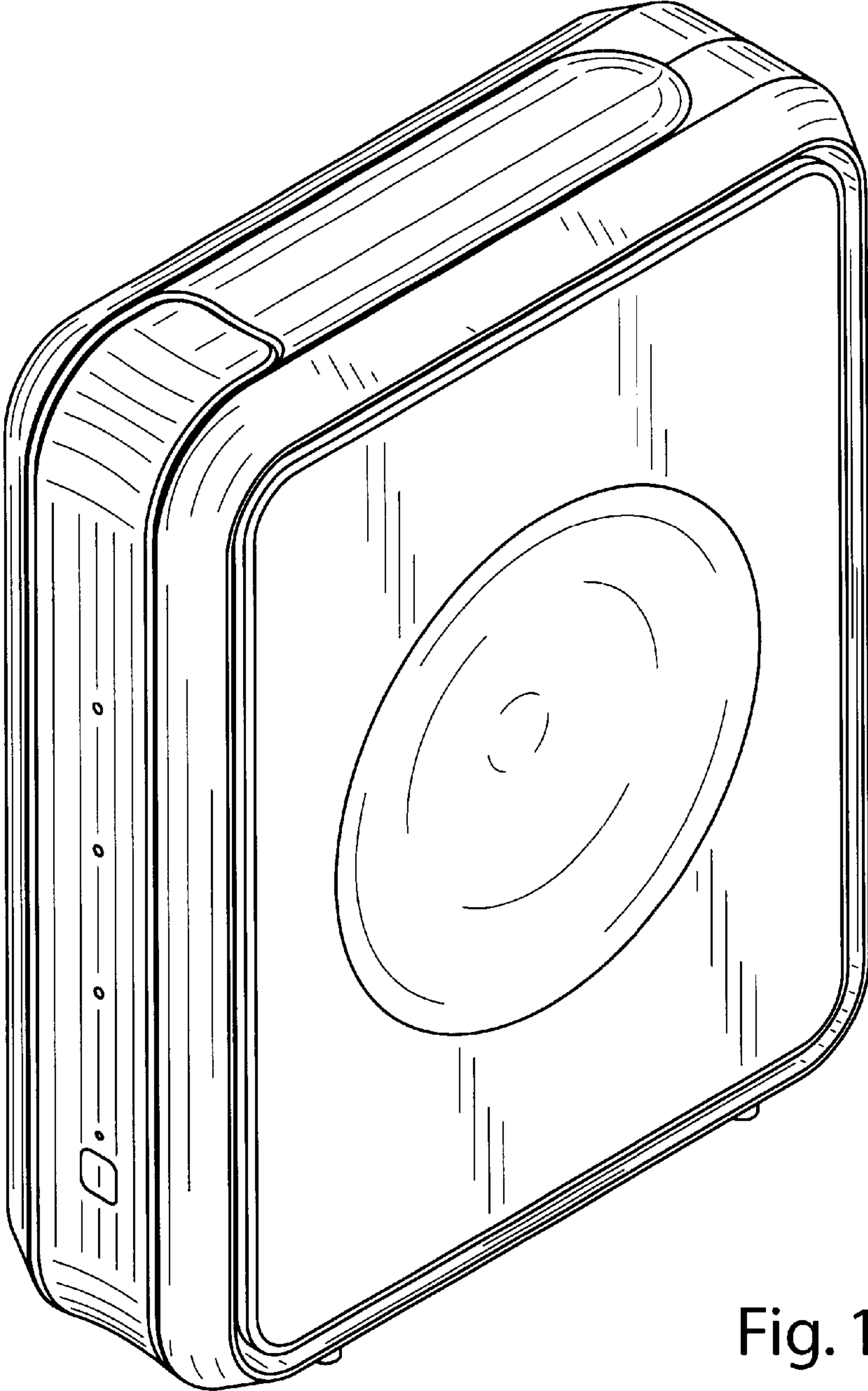


Fig. 1

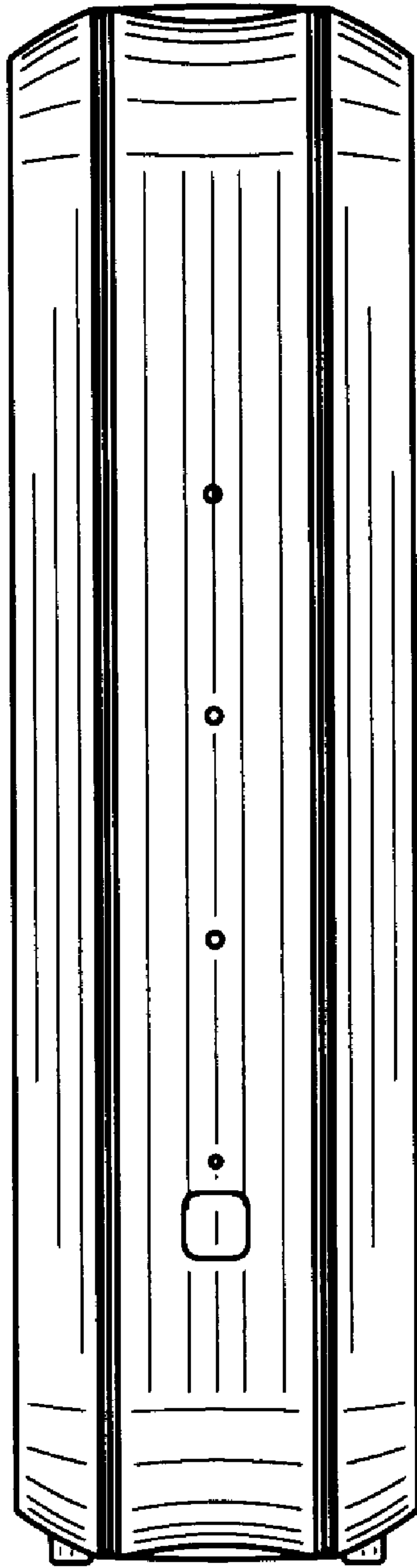


Fig. 2

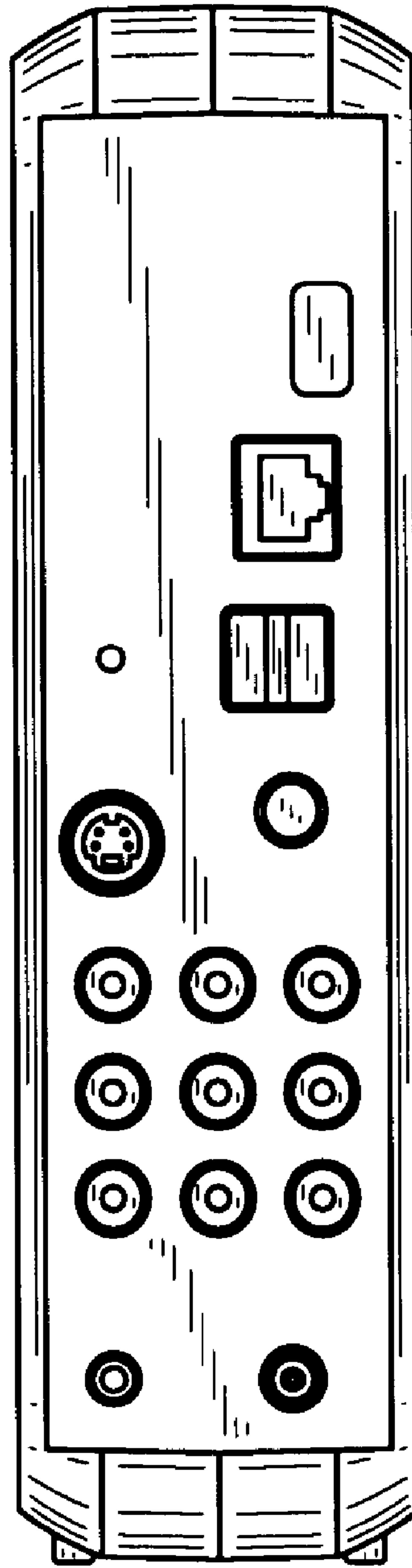


Fig. 3

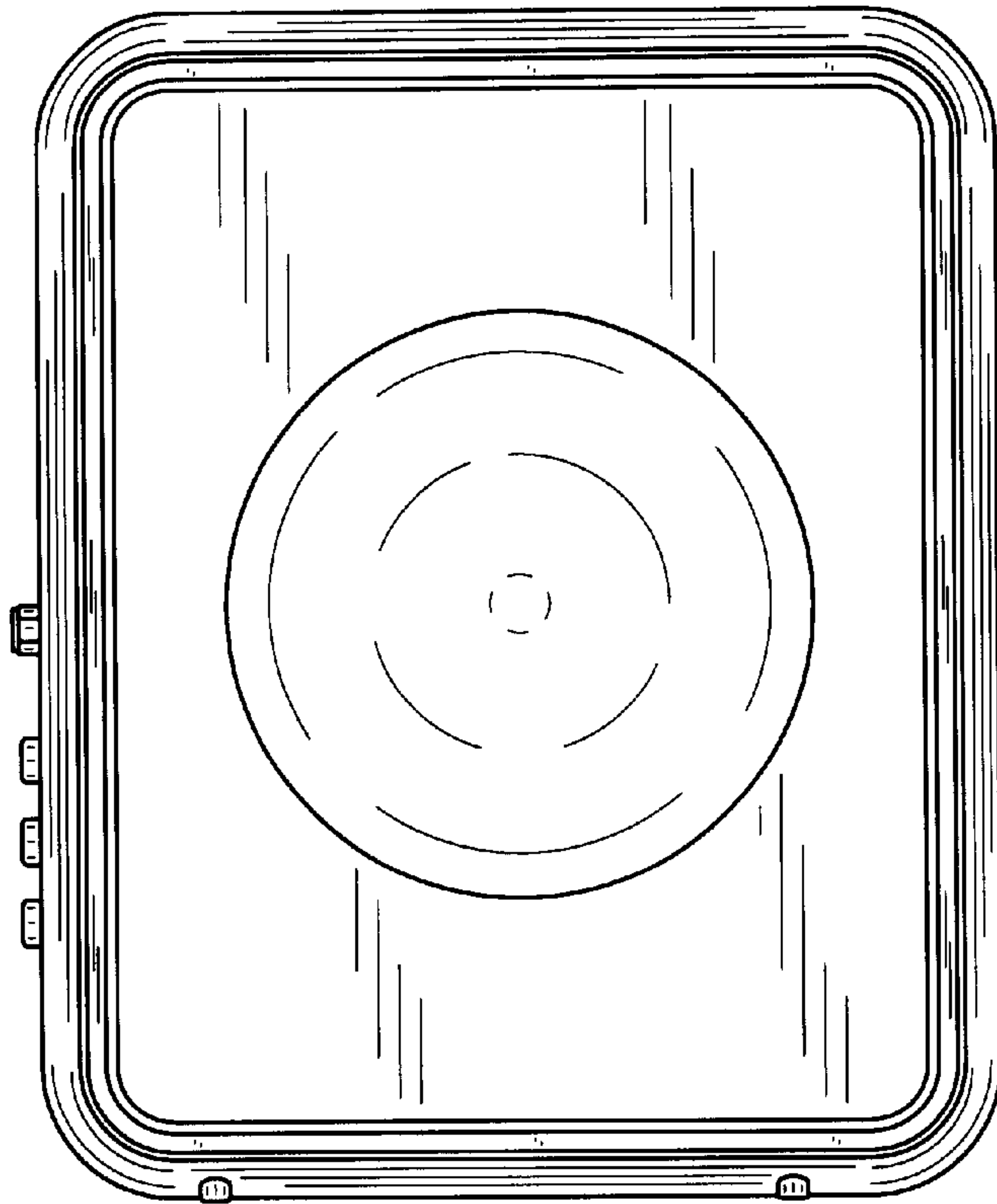


Fig. 4

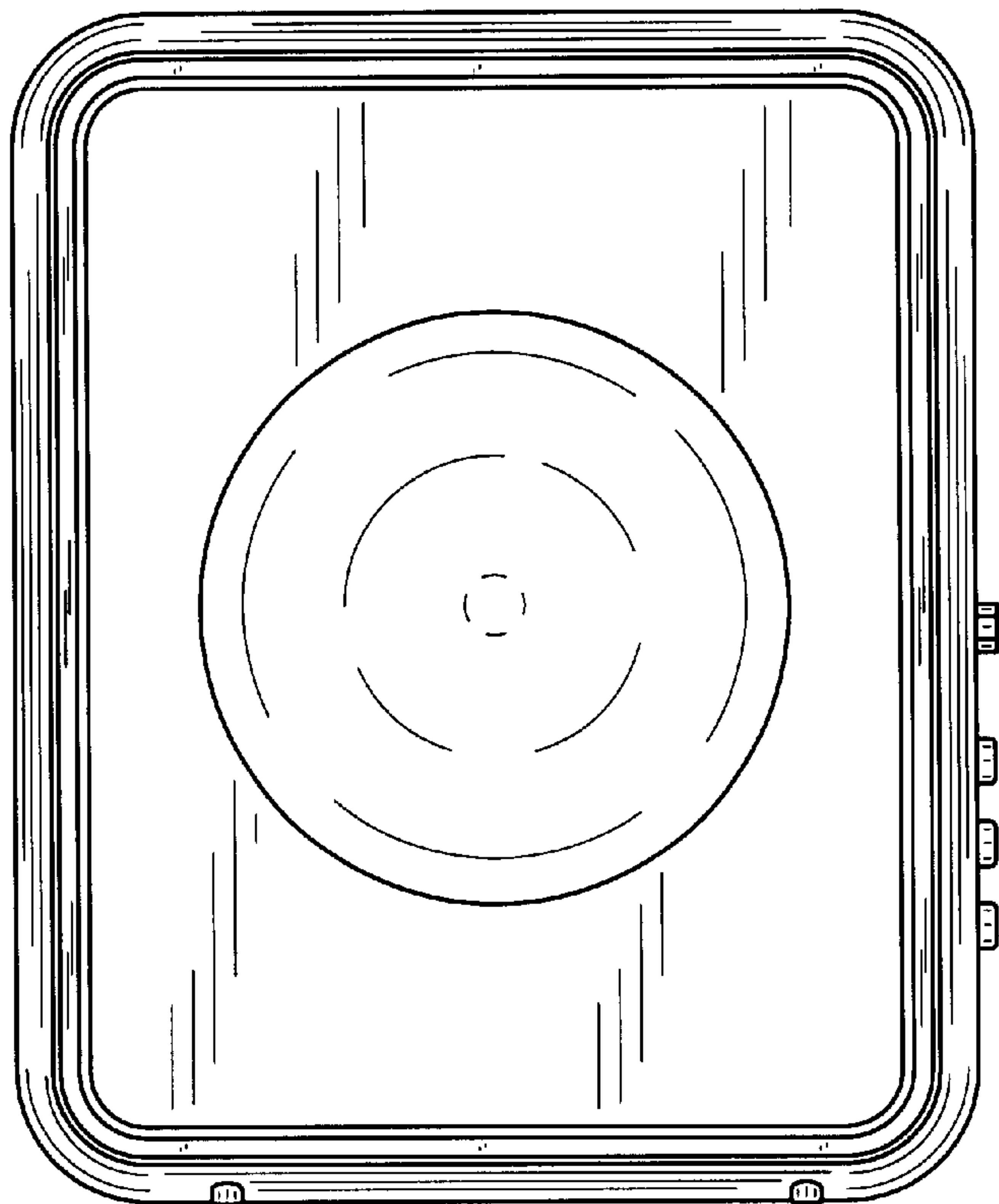


Fig. 5

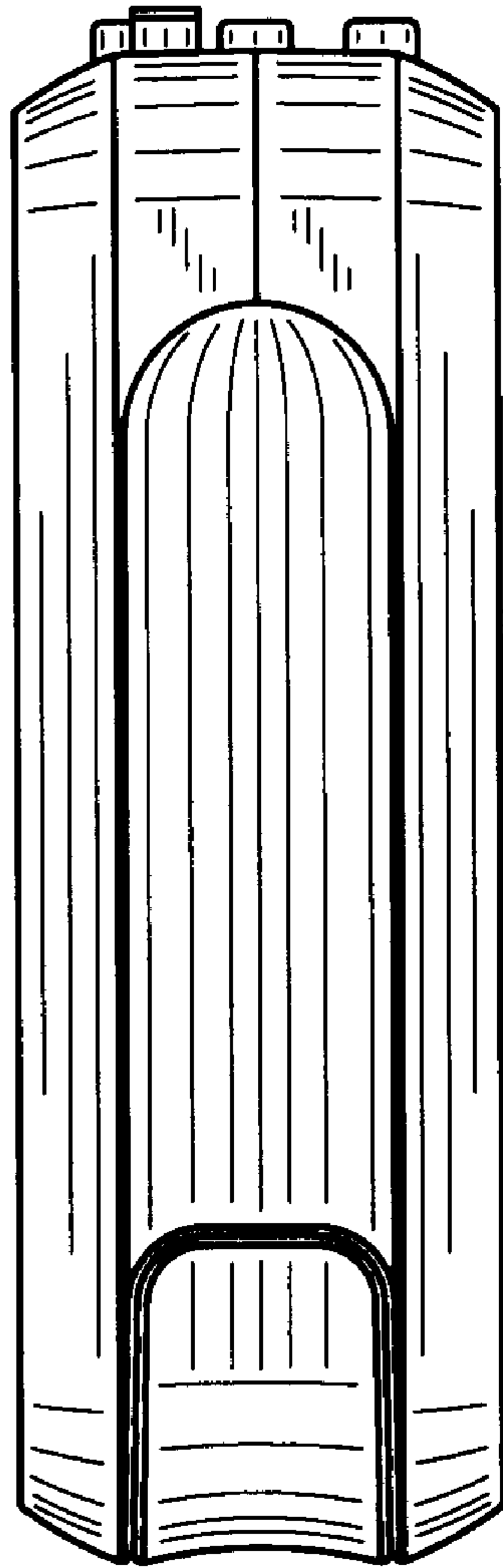


Fig. 6

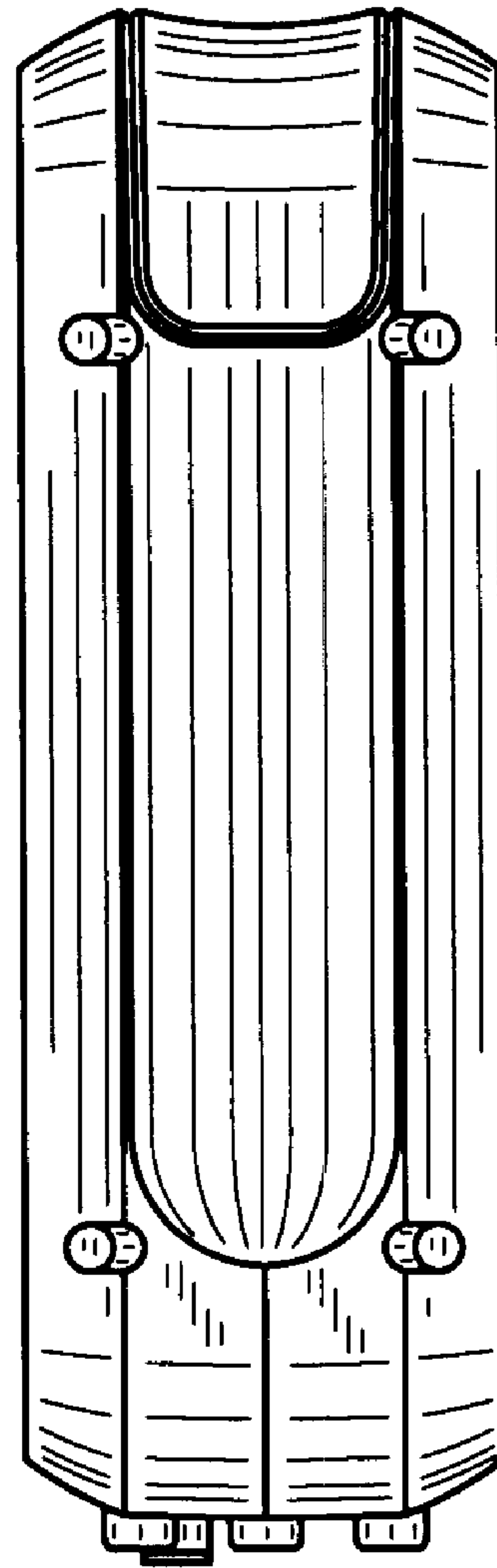


Fig. 7