



US00D508898S

(12) **United States Design Patent**
Gargani et al.

(10) **Patent No.: US D508,898 S**

(45) **Date of Patent: ** Aug. 30, 2005**

(54) **SET-TOP ENCLOSURE**

D470,464 S * 2/2003 Loiske et al. D14/125
D487,087 S * 2/2004 Wang D14/357

(75) Inventors: **David M. Gargani**, Lansdale, PA (US);
Chia-Hao Chang, Shu Lin (TW);
Charles R. Herrmann, Rydal, PA
(US); **Timothy K. Newman**,
Harleysville, PA (US); **Doris A.**
Schneider, Philadelphia, PA (US); **Paul**
Ocepek, Norfolk, MA (US)

* cited by examiner

Primary Examiner—Raphael Barkai
(74) *Attorney, Agent, or Firm*—Volpe and Koenig, P.C.

(73) Assignee: **General Instrument Corporation**,
Horsham, PA (US)

(57) **CLAIM**

The ornamental design for set-top enclosure, as shown and described.

(**) Term: **14 Years**

DESCRIPTION

(21) Appl. No.: **29/199,220**

FIG. 1 is a perspective view, from the front and above, of a set-top enclosure showing our new design.

(22) Filed: **Feb. 11, 2004**

FIG. 2 is a top view thereof.

(51) **LOC (8) Cl.** **14-03**

FIG. 3 is a bottom view thereof.

(52) **U.S. Cl.** **D14/125**

FIG. 4 is a left side view thereof

(58) **Field of Search** D14/299, 356,
D14/361–363, 365, 466, 125, 126, 432,
135–136, 239, 357; 348/460, 10; 361/690–696;
312/208.1, 223.2; 455/3.1–3.2, 6.1–6.3,
3.04

FIG. 5 is a right side view thereof.

FIG. 6 is a front view thereof; and,

FIG. 7 is a rear view thereof.

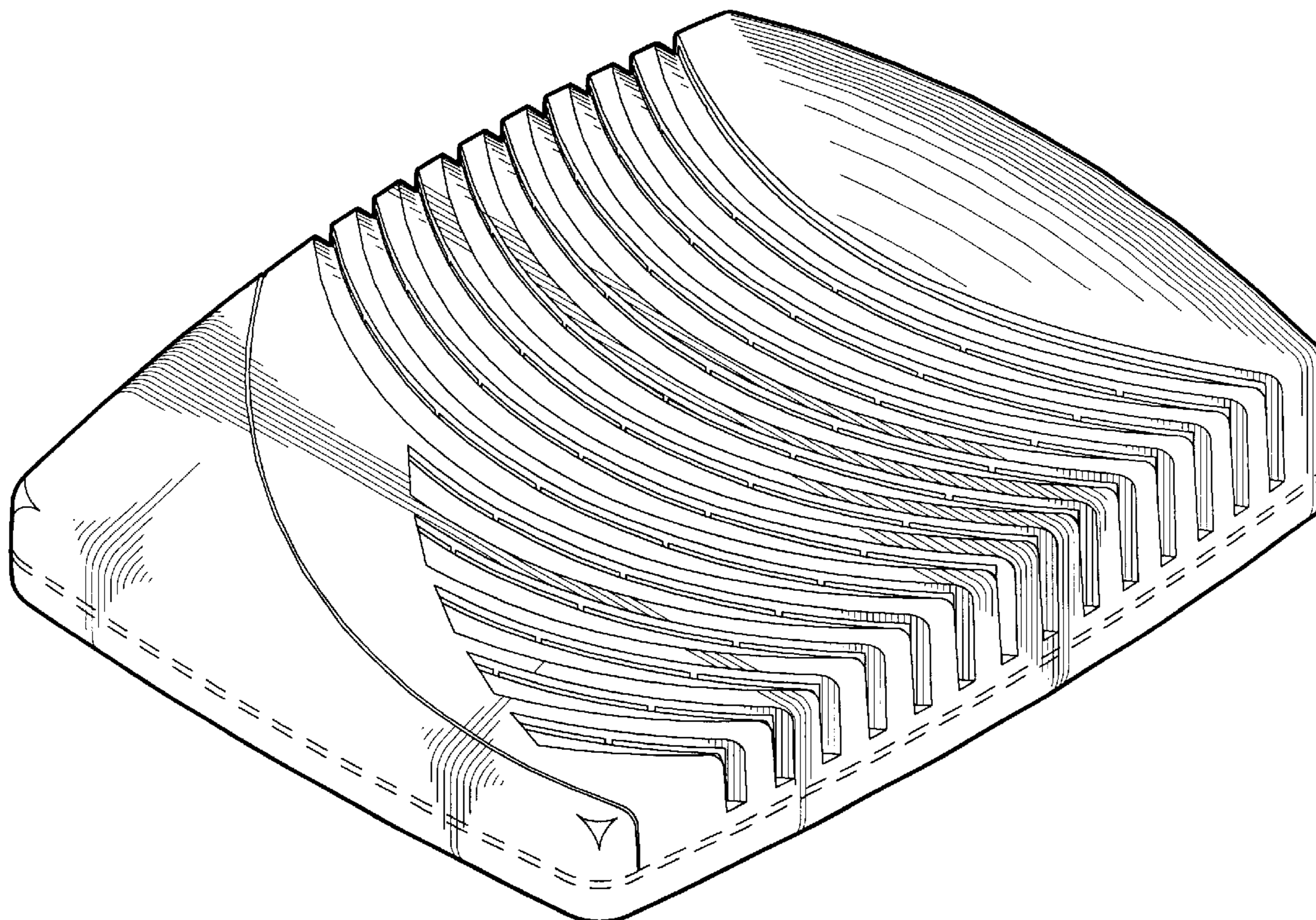
The broken lines shown in FIGS. 1–7 represent environmental subject matter and form no part of the claimed design.

(56) **References Cited**

U.S. PATENT DOCUMENTS

D462,063 S * 8/2002 Bohne D14/125

1 Claim, 5 Drawing Sheets



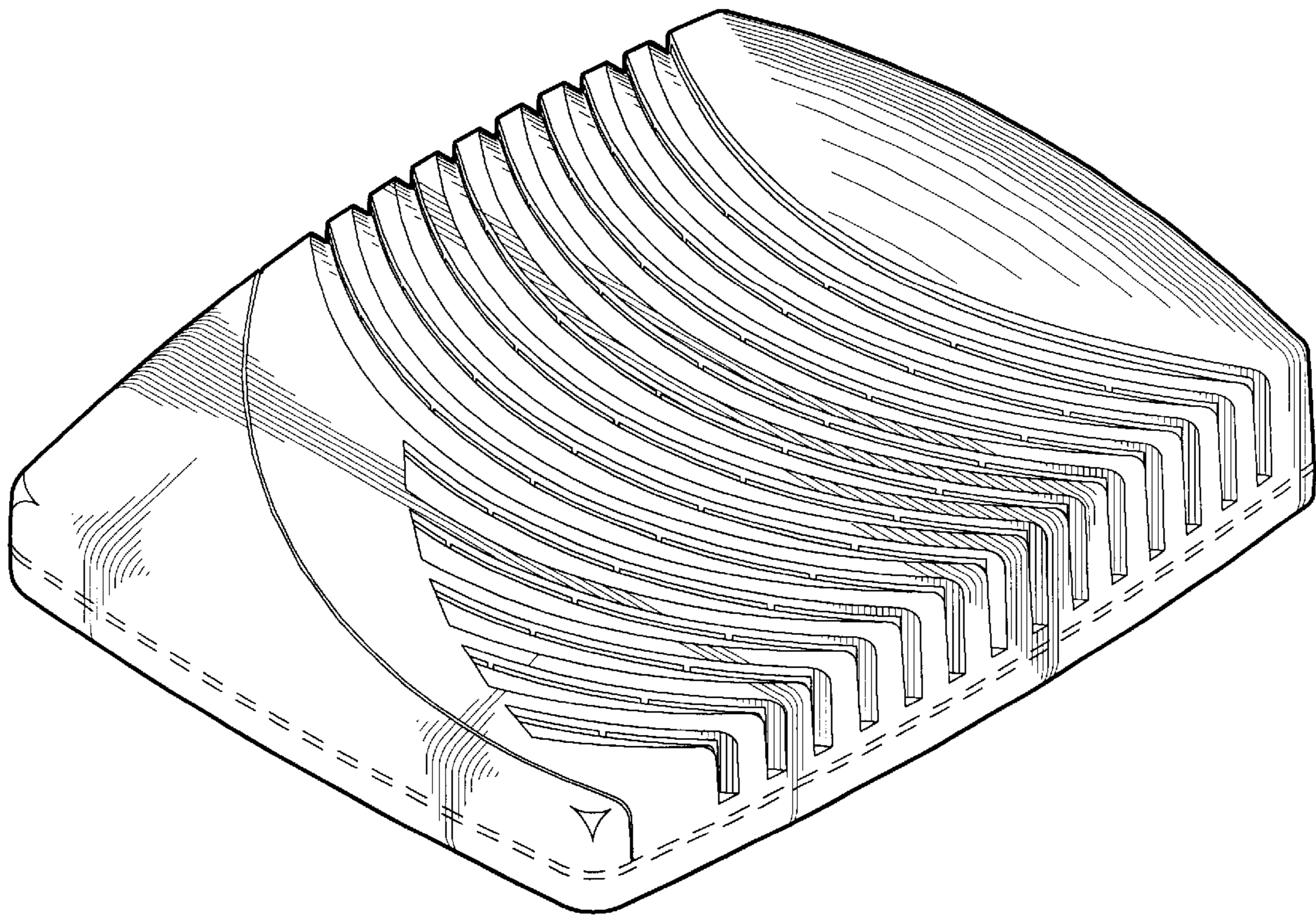


FIG. 1

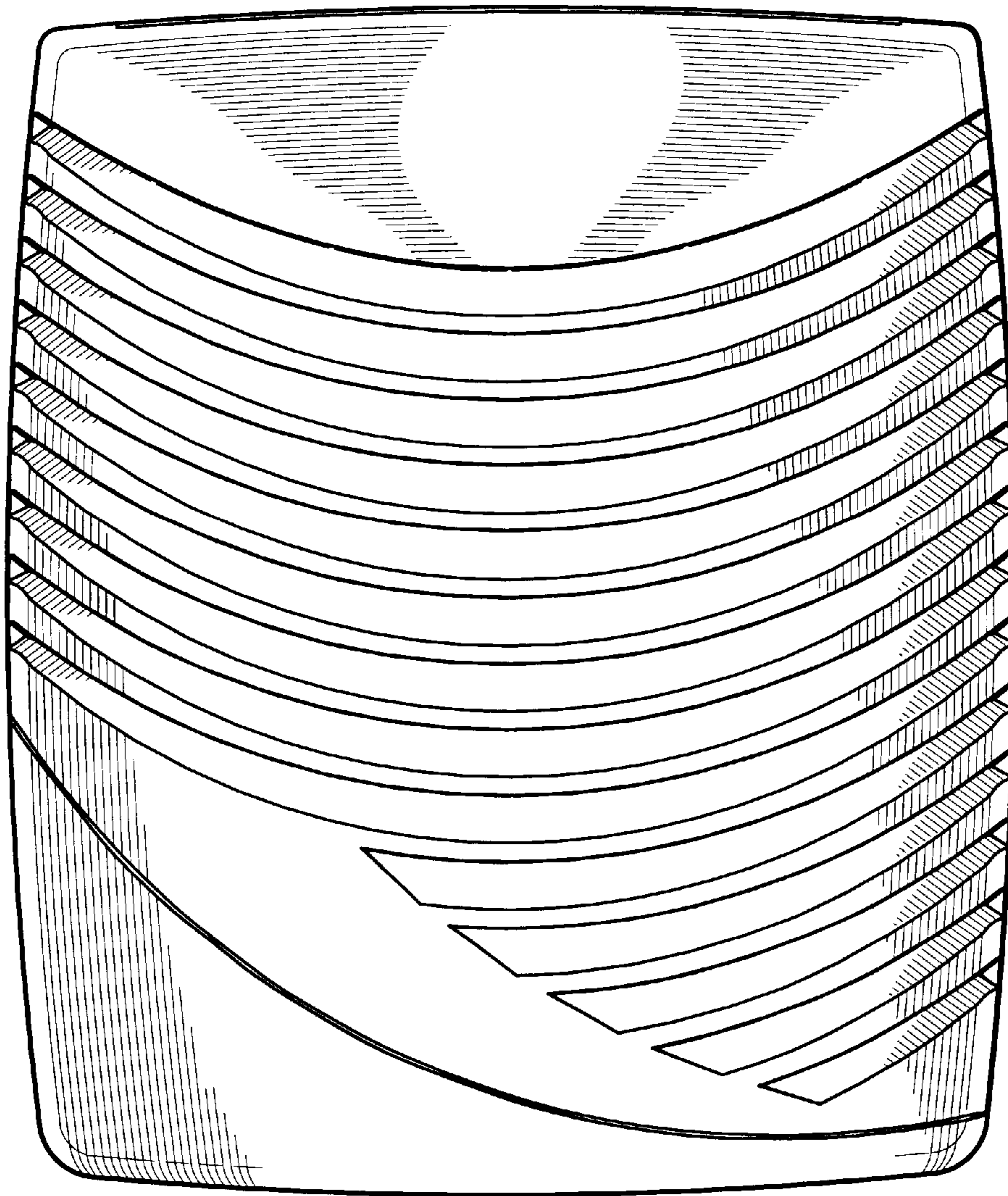


FIG. 2

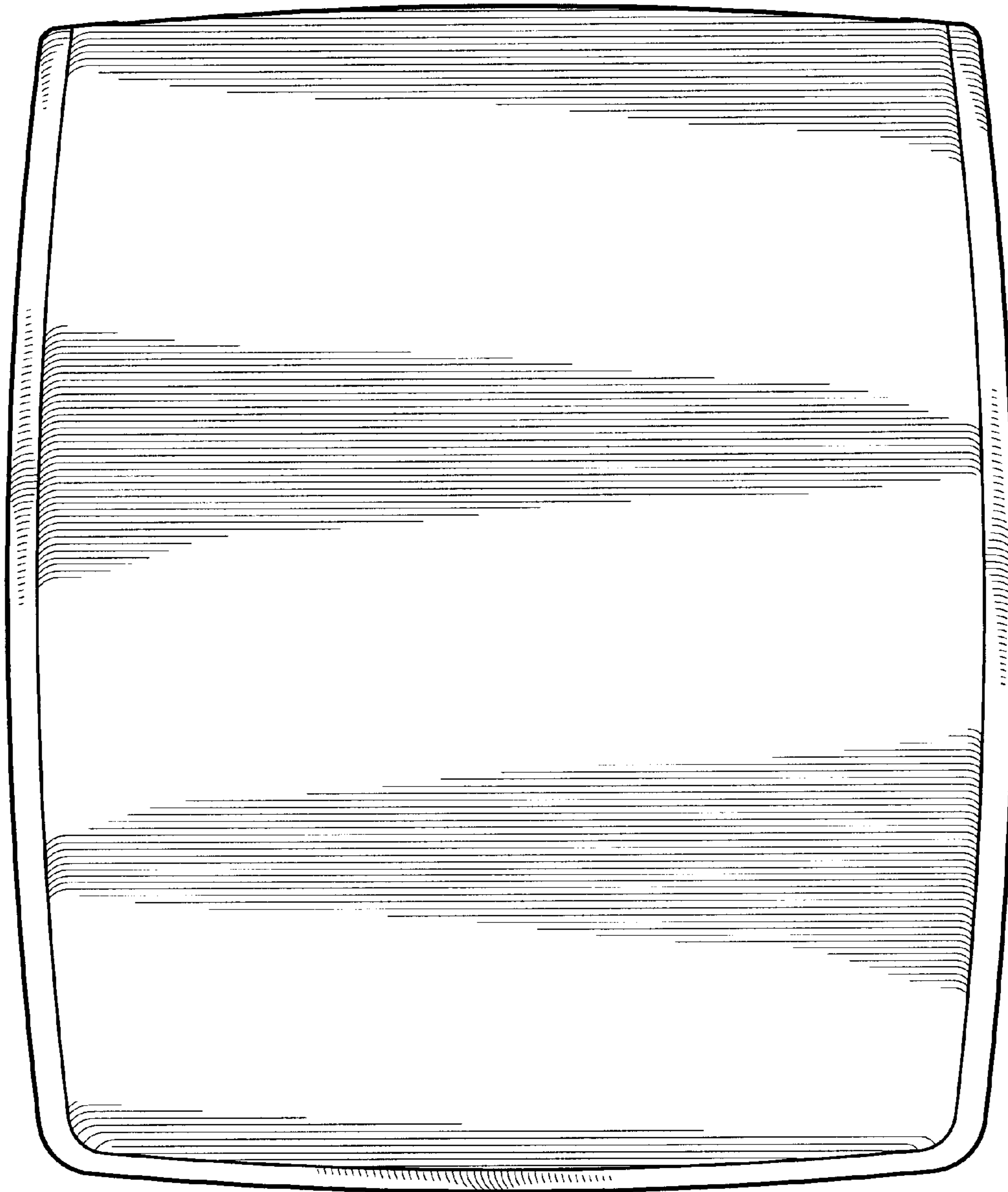


FIG. 3

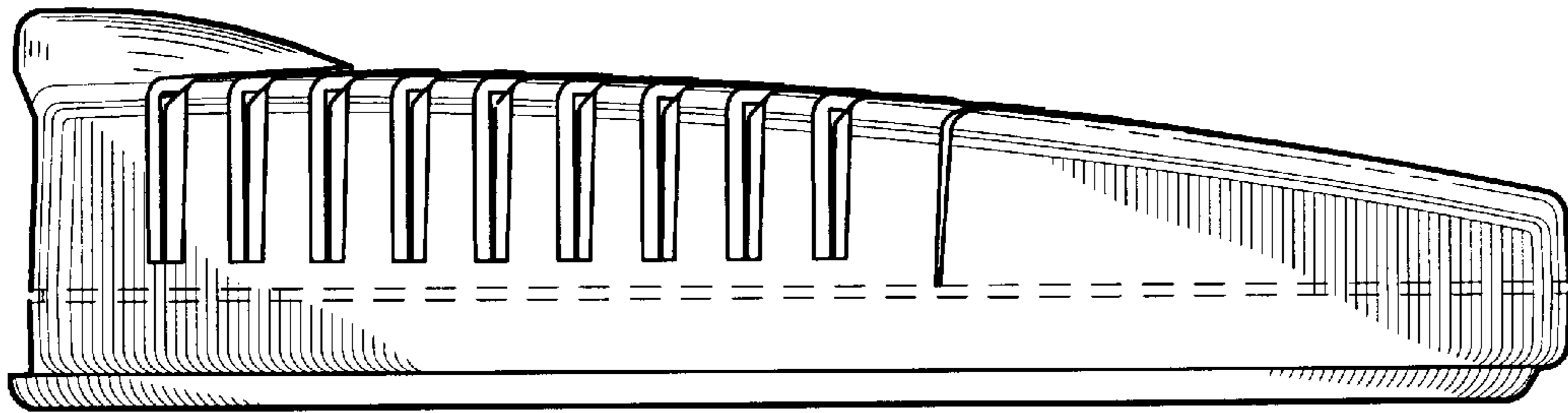


FIG. 4

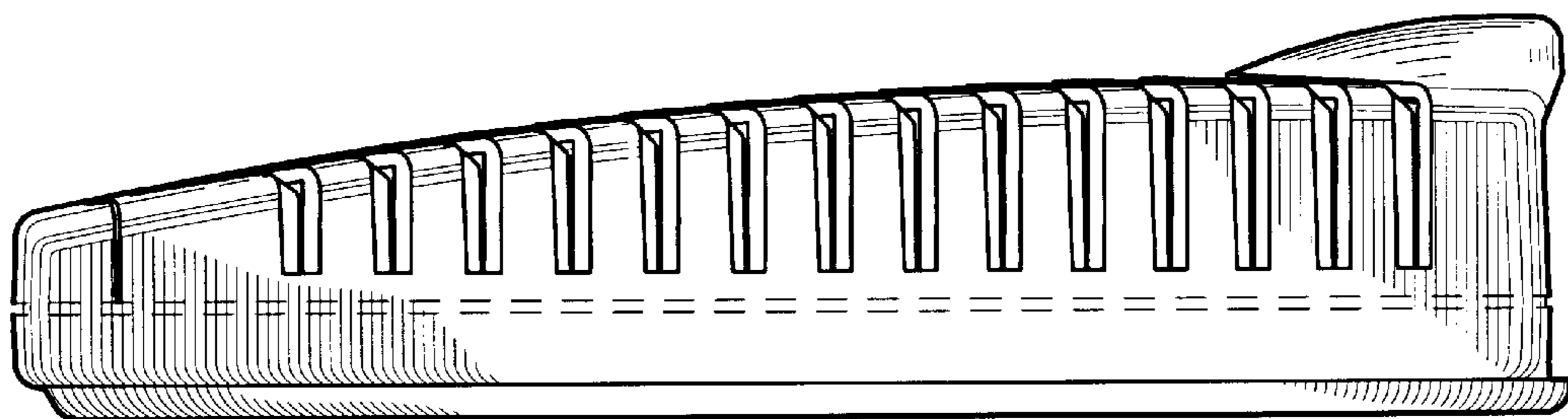


FIG. 5

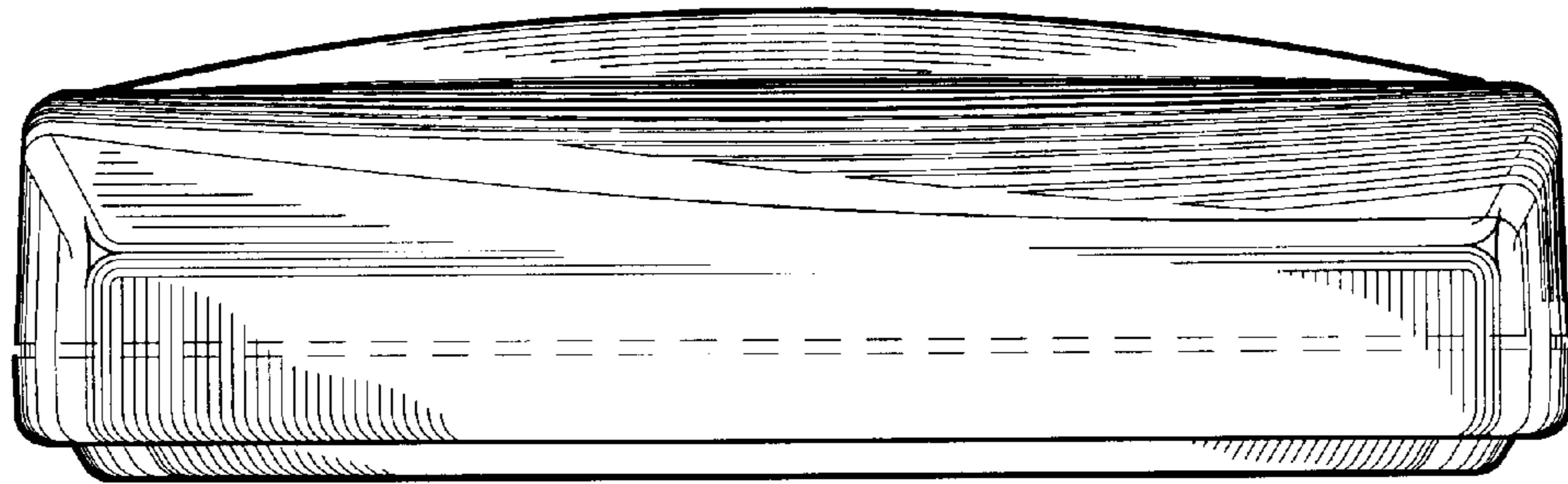


FIG. 6

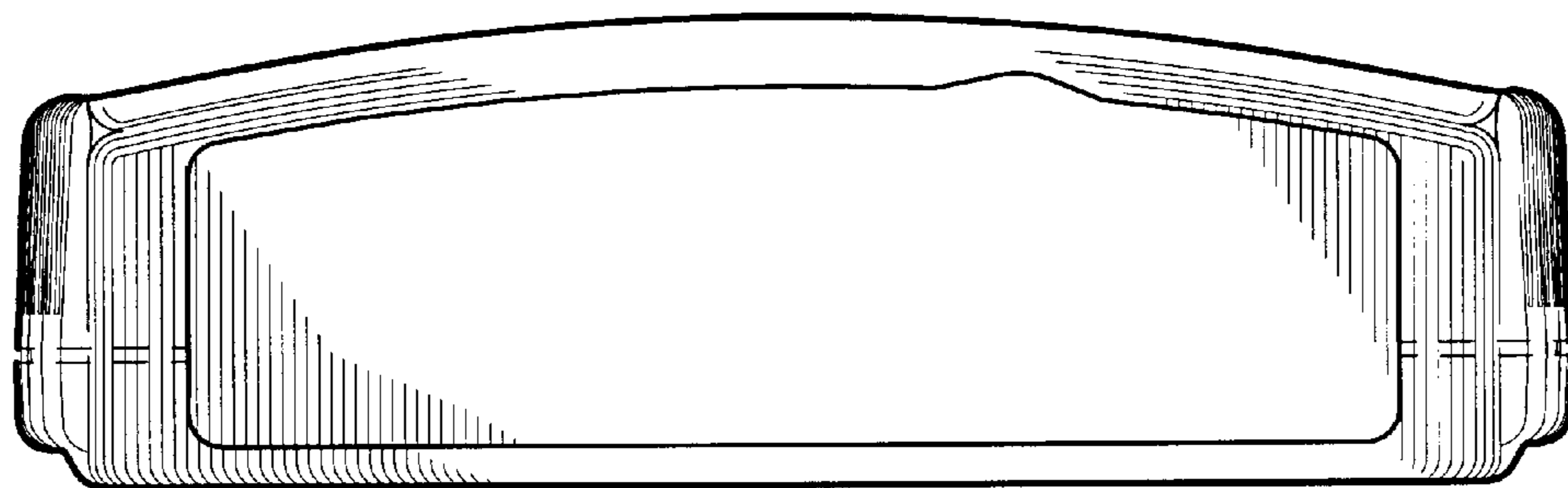


FIG. 7