



US00D508897S

(12) **United States Design Patent** (10) **Patent No.:** **US D508,897 S**
Phipps et al. (45) **Date of Patent:** **** Aug. 30, 2005**

(54) **EMBEDDED CIRCUIT BOARD**

(75) Inventors: **Michael Phipps**, Aptos, CA (US);
Timothy J. Southgate, Woodside, CA (US)

(73) Assignee: **Altera Corporation**, San Jose, CA (US)

(**) Term: **14 Years**

(21) Appl. No.: **29/212,683**

(22) Filed: **Sep. 3, 2004**

(51) **LOC (8) Cl.** **13-03**

(52) **U.S. Cl.** **D13/184**

(58) **Field of Search** D13/182, 184;
D9/418; 174/50, 52.1; 206/706, 707, 709;
220/4.02; 361/600, 601, 730, 736, 748;
438/107

(56) **References Cited**

U.S. PATENT DOCUMENTS

4,746,009	A	*	5/1988	Liberman	206/723
4,763,781	A	*	8/1988	Donalson et al.	206/707
5,235,496	A	*	8/1993	Chomette et al.	361/764
5,375,709	A	*	12/1994	Petro	206/709
6,100,468	A	*	8/2000	Niggl et al.	174/52.1

* cited by examiner

Primary Examiner—Stella Reid
Assistant Examiner—Selina Sikder

(74) *Attorney, Agent, or Firm*—Martine Penilla & Gencarella, LLP

(57) **CLAIM**

We claim the ornamental design for an embedded circuit board, as shown and described.

DESCRIPTION

FIG. 1 is a perspective view of a embedded circuit board in accordance with the design;

FIG. 2 is a front view of the embedded circuit board of FIG. 1;

FIG. 3 is a back view of the embedded circuit board of FIG. 1;

FIG. 4 is a left view of the embedded circuit board of FIG. 1;

FIG. 5 is a right view of the embedded circuit board of FIG. 1;

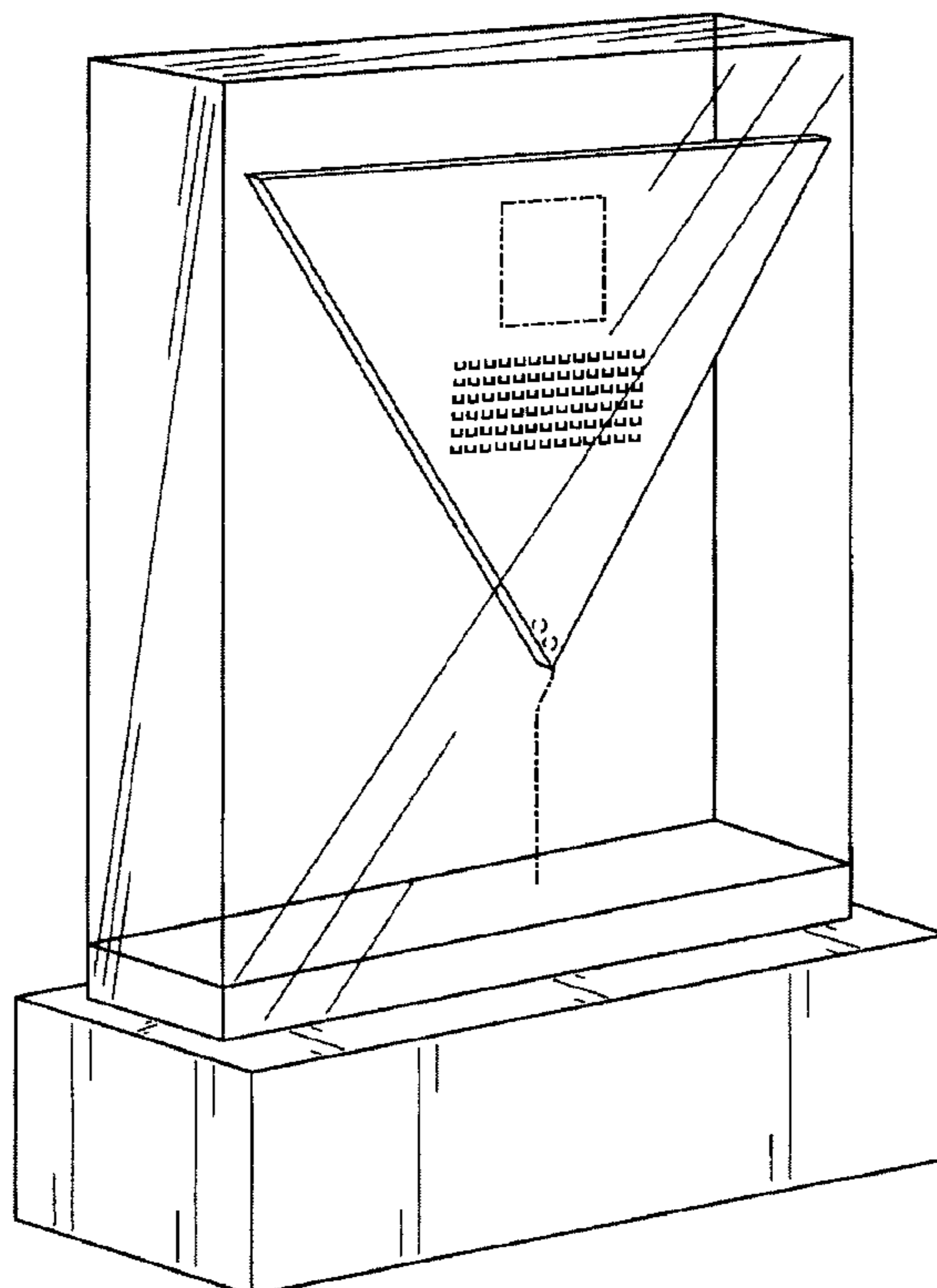
FIG. 6 is a top view of the embedded circuit board of FIG. 1; and,

FIG. 7 is a bottom view of the embedded circuit board of FIG. 1.

The dash-dot broken line showing of the environment is for illustrative purposes only and forms no part of the claimed design. The dot-dot broken lines define the bounds of the claimed design and form no part thereof.

The present design is related to an article of manufacture in the form of an embedded circuit board.

1 Claim, 7 Drawing Sheets



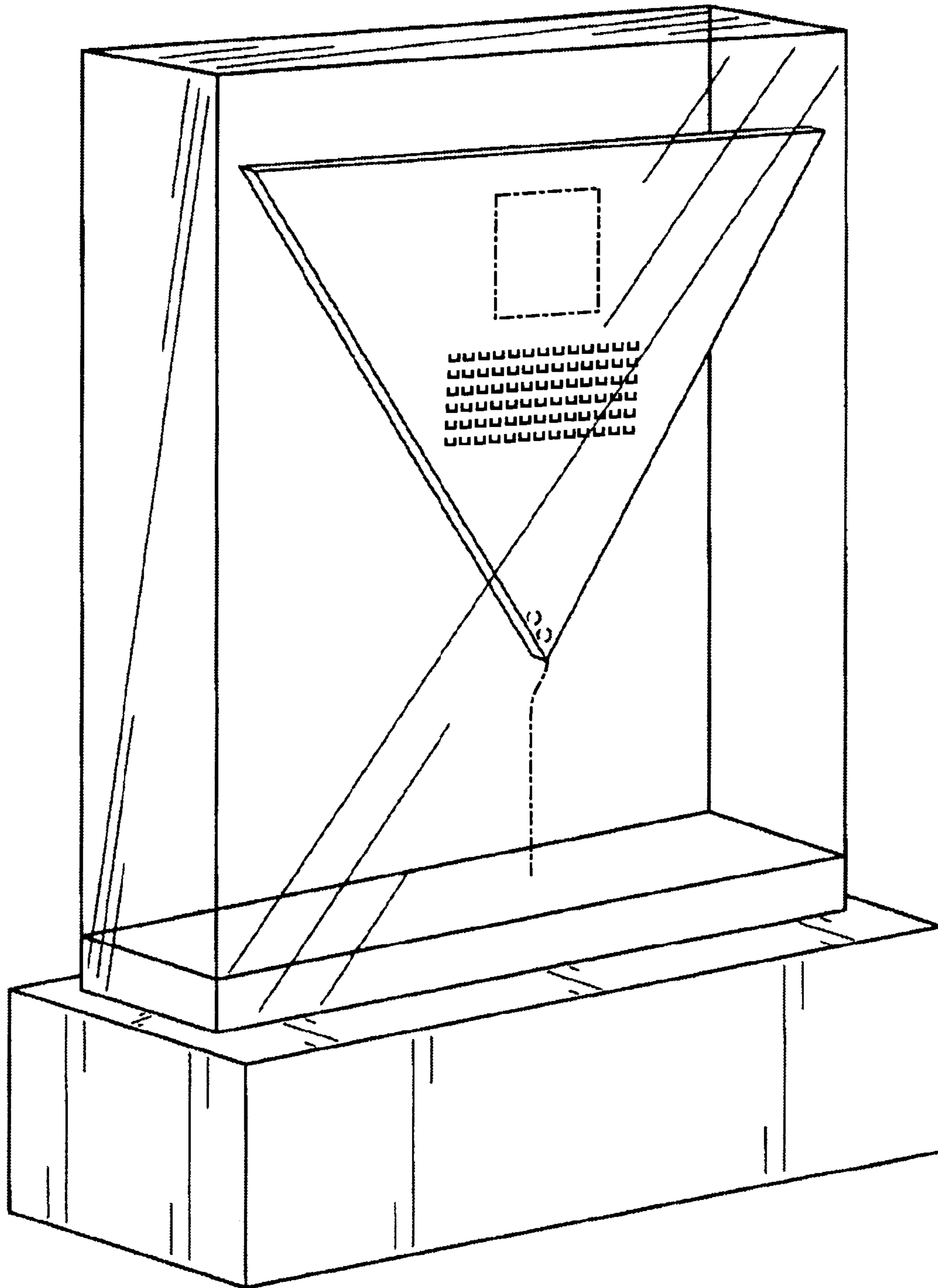


Fig. 1

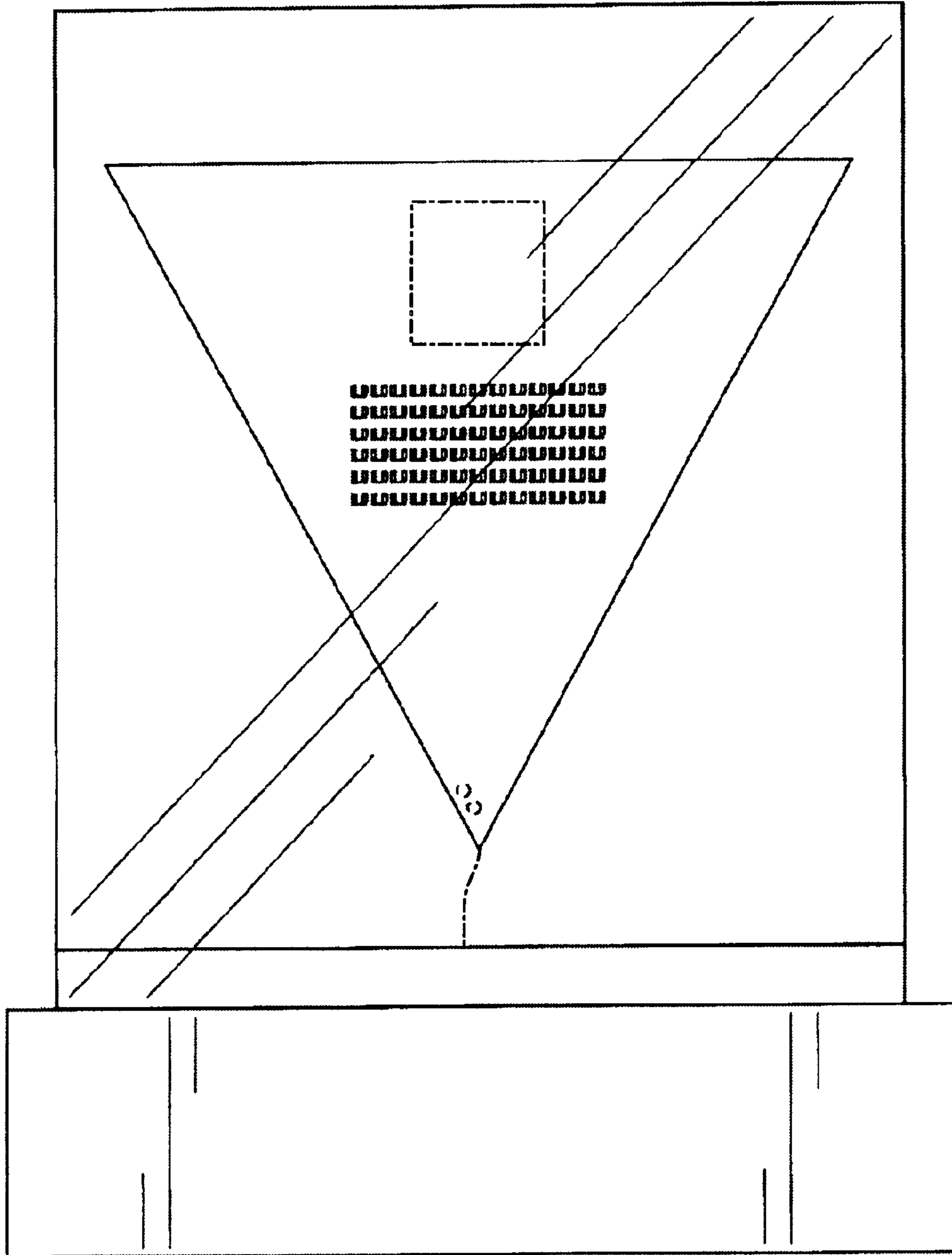


Fig. 2

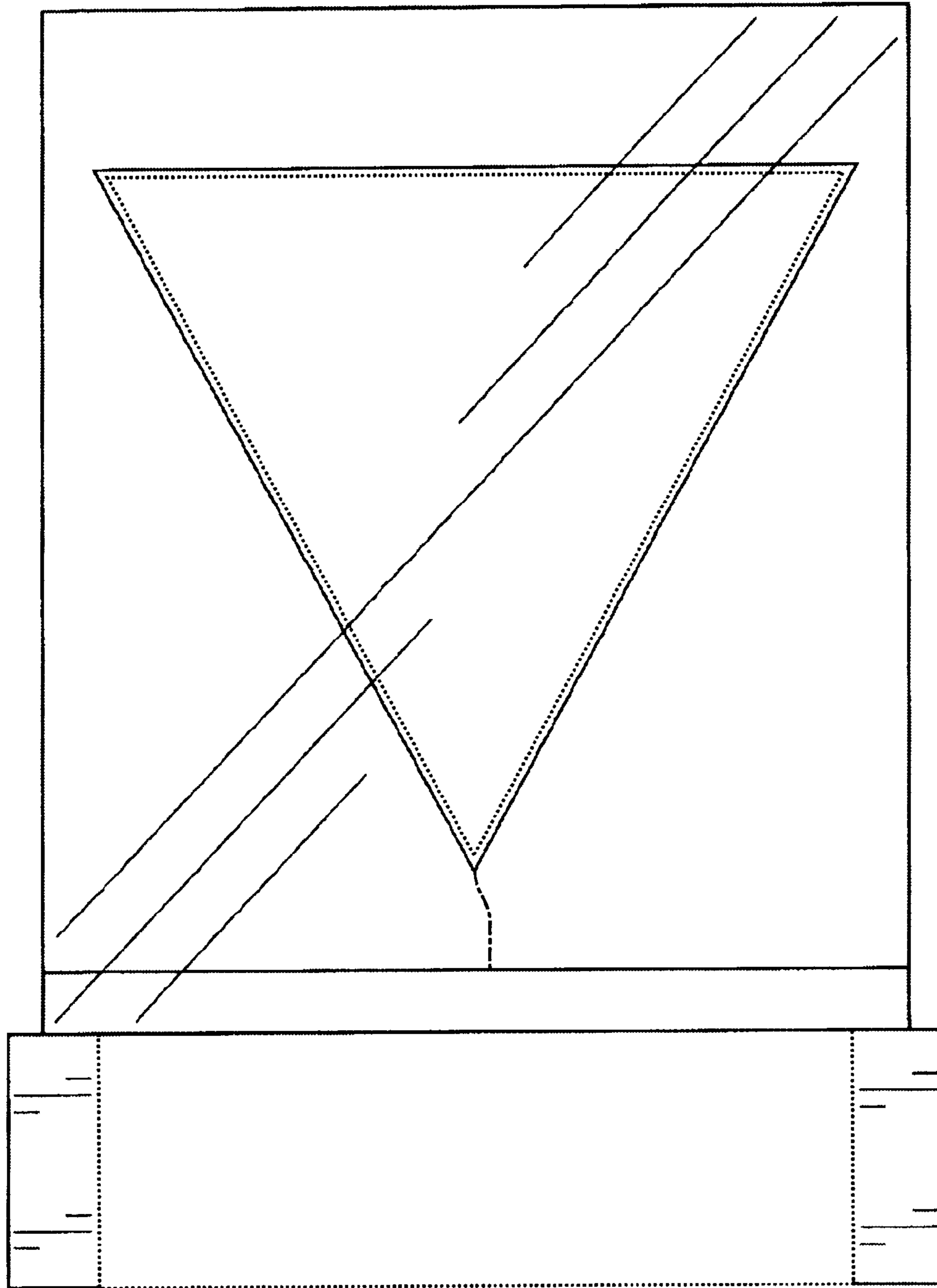


Fig. 3

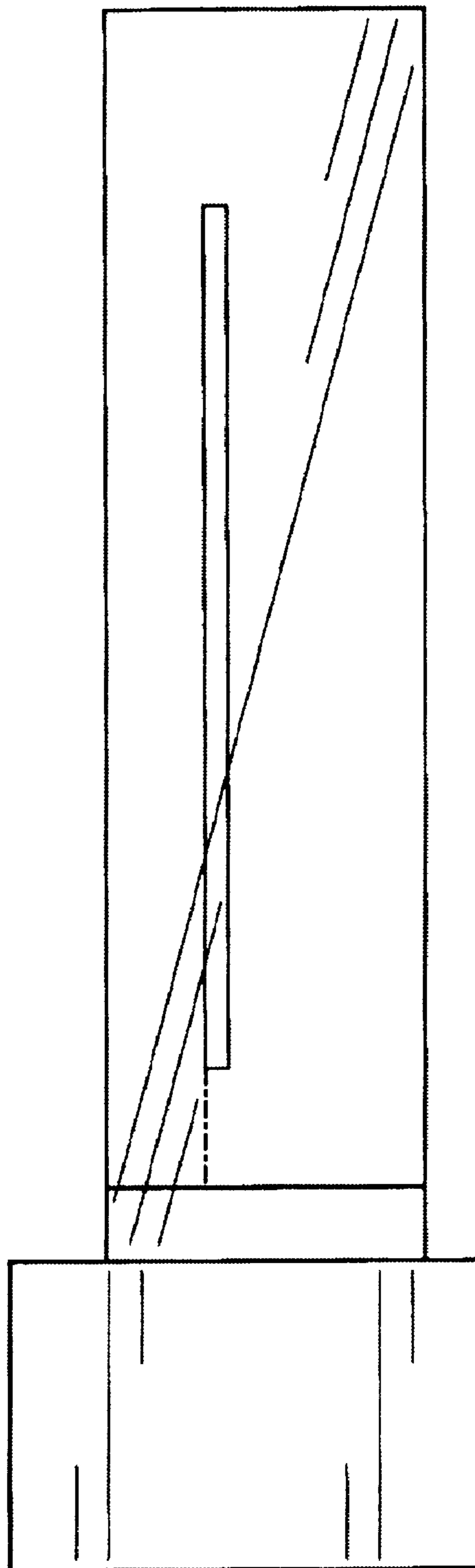


Fig. 4

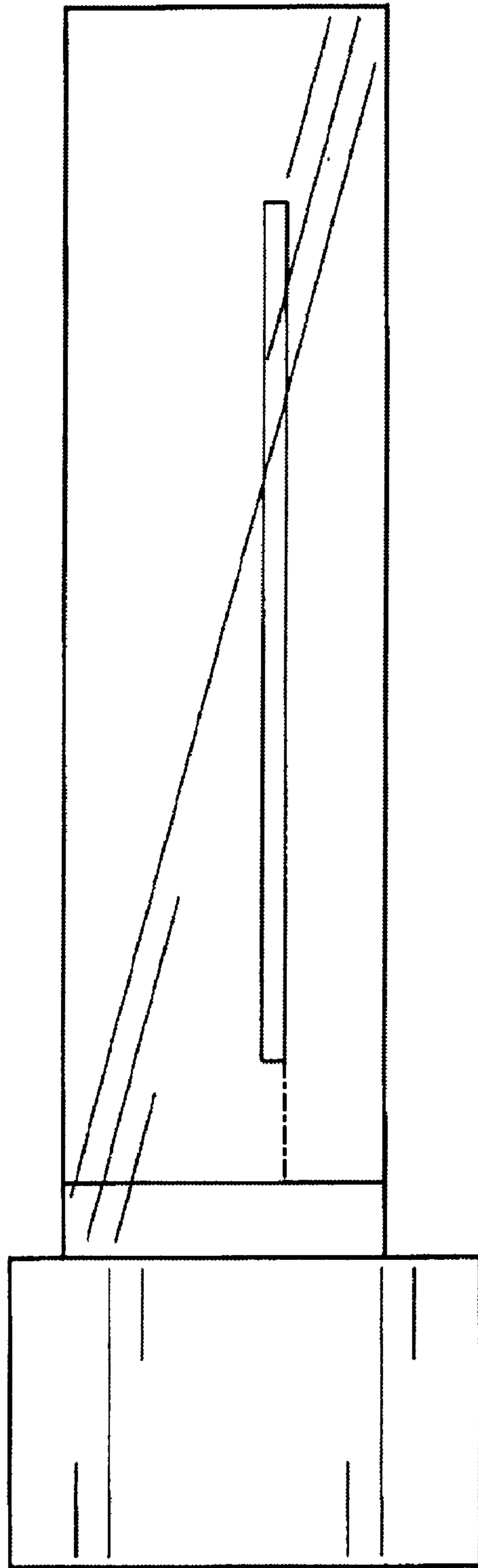


Fig. 5

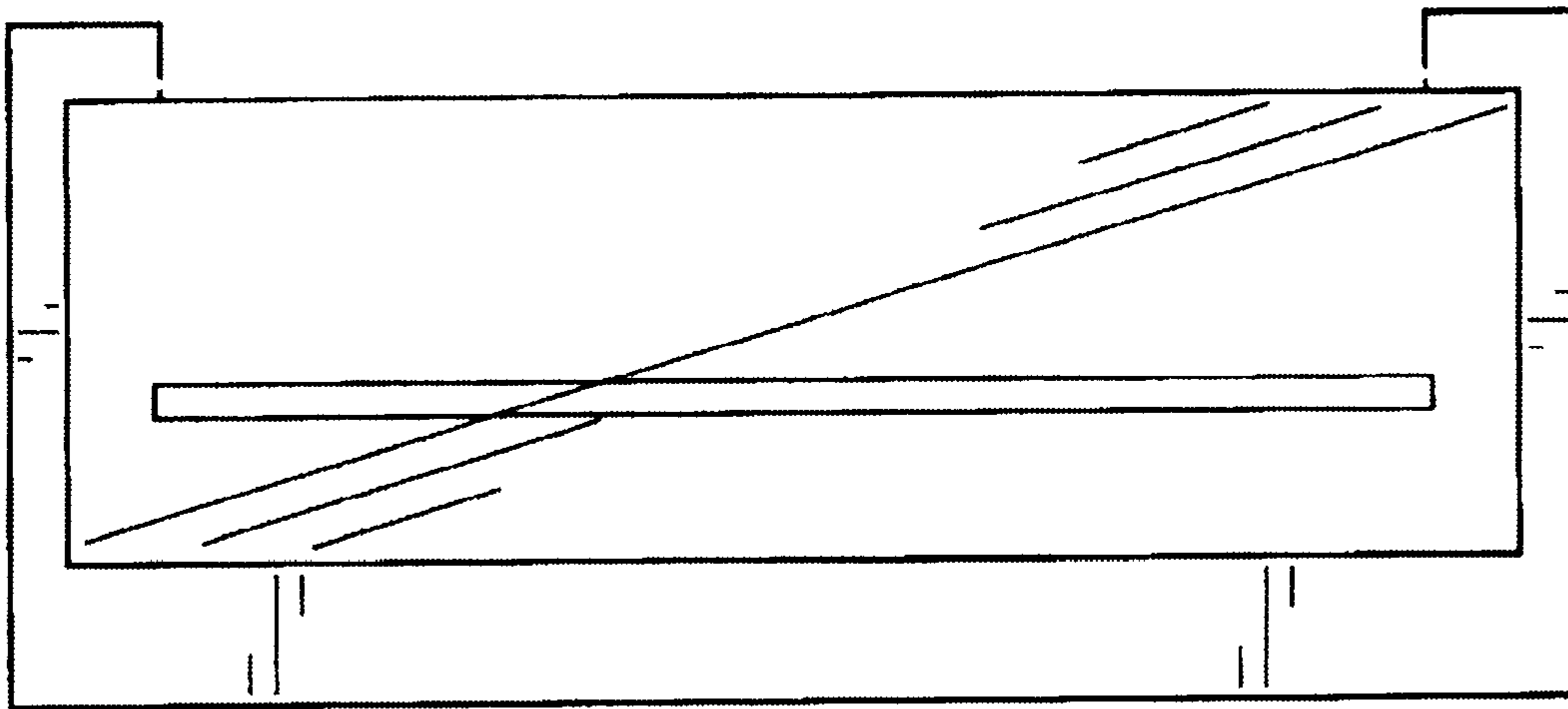


Fig. 6

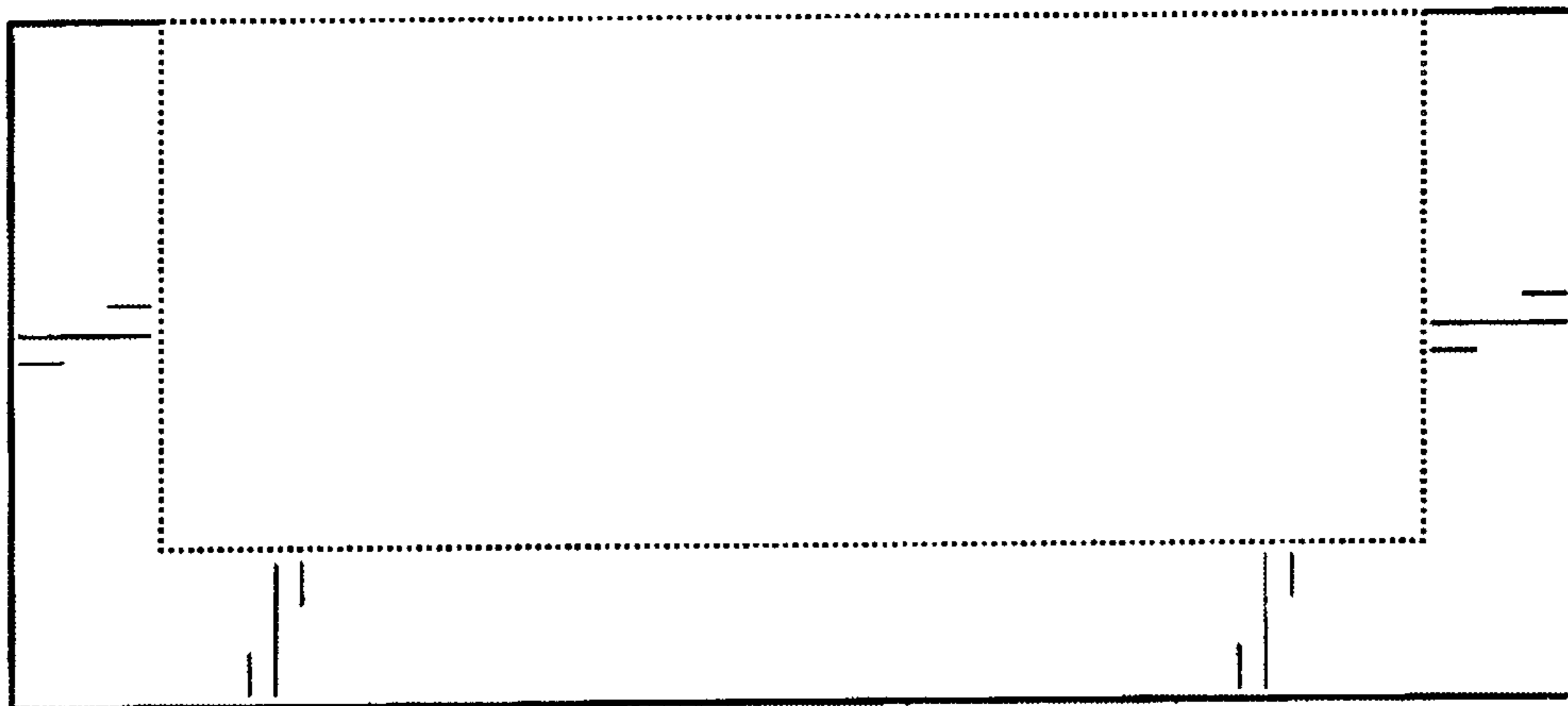


Fig. 7