

US00D508896S

(12) **United States Design Patent** (10) **Patent No.:** **US D508,896 S**
Nipke (45) **Date of Patent:** **** Aug. 30, 2005**

(54) **CURVILINEAR OUTLET COVER**
 (75) Inventor: **Mike Nipke**, Grandville, MI (US)
 (73) Assignee: **Vendor Development Group, Inc.**,
 Grand Rapids, MI (US)
 (**) Term: **14 Years**
 (21) Appl. No.: **29/204,988**
 (22) Filed: **May 7, 2004**
 (51) **LOC (8) Cl.** **30-03**
 (52) **U.S. Cl.** **D13/156**
 (58) **Field of Search** D13/152, 156.1,
 D13/84, 154; D8/353, 350; 174/67; 439/133,
 142; 200/43.11, 43.16

6,017,188 A 1/2000 Benton
 6,070,808 A 6/2000 Kildow
 6,126,293 A 10/2000 Wu
 6,209,147 B1 4/2001 Wheaton
 6,270,230 B1 8/2001 Mai
 6,323,431 B1 11/2001 Lin
 6,439,249 B1 8/2002 Pan et al.
 D467,877 S * 12/2002 Mori et al. D13/154
 6,612,713 B1 9/2003 Kuelbs
 6,627,816 B1 * 9/2003 Walker et al. 174/66
 6,659,616 B1 12/2003 Bilotti
 6,668,845 B2 12/2003 Lin et al.
 2004/0100791 A1 5/2004 Bilotti et al.

FOREIGN PATENT DOCUMENTS

EP 0851178 7/1998
 GB 2222942 3/1990

* cited by examiner

Primary Examiner—Alan P. Douglas
Assistant Examiner—Susan M Lee
 (74) *Attorney, Agent, or Firm*—McAndrews, Held & Malloy, Ltd.

(56) **References Cited**
U.S. PATENT DOCUMENTS

2,087,537 A 7/1937 Finkel
 D130,643 S * 12/1941 Hose D13/146
 3,215,831 A 11/1965 Gladsen et al.
 D208,917 S * 10/1967 Mellyn D8/350
 4,061,154 A 12/1977 Cox et al.
 4,072,857 A 2/1978 DeVicaris
 4,174,532 A 11/1979 Kelley
 4,491,141 A 1/1985 Eppenbach
 D295,400 S * 4/1988 Wung D13/154
 4,979,535 A 12/1990 Sadowski et al.
 4,994,631 A * 2/1991 Williams, Jr. 174/67
 5,053,931 A 10/1991 Rushing
 5,101,844 A 4/1992 Morrone
 5,331,524 A 7/1994 Tseng
 5,463,535 A 10/1995 Vest
 5,584,357 A 12/1996 Gugel et al.
 5,611,614 A 3/1997 Morgan
 D378,913 S * 4/1997 Chambers et al. D13/156
 D379,176 S * 5/1997 Chambers et al. D13/156
 D379,970 S * 6/1997 Chambers et al. D13/156
 5,769,000 A 6/1998 Dunfey
 5,776,559 A 7/1998 Woolford
 5,787,914 A 8/1998 Greywall
 5,907,127 A * 5/1999 Daoud 174/57
 5,911,493 A 6/1999 Walker et al.

(57) **CLAIM**

The ornamental design for the curvilinear outlet cover, as shown and described.

DESCRIPTION

This application is related to U.S. Patent Application No. 29/205,036 filed May 7, 2004, entitled "Cylindrical Power Hub".

FIG. 1 is a perspective view of a curvilinear outlet cover according to the present invention;
 FIG. 2 is a front view of the outlet cover of FIG. 1;
 FIG. 3 is a bottom view of the outlet cover of FIG. 1;
 FIG. 4 is a left-side view of the outlet cover of FIG. 1;
 FIG. 5 is a right-side view of the outlet cover of FIG. 1;
 FIG. 6 is a rear view of the outlet cover of FIG. 1;
 FIG. 7 is a top view of the outlet cover of FIG. 1; and,
 FIG. 8 is an environmental front view of an intended use for the outlet cover of FIG. 1.

The broken lines in FIGS. 1 through 8 are for illustrative purposes only and form no part of the claimed design.

1 Claim, 2 Drawing Sheets

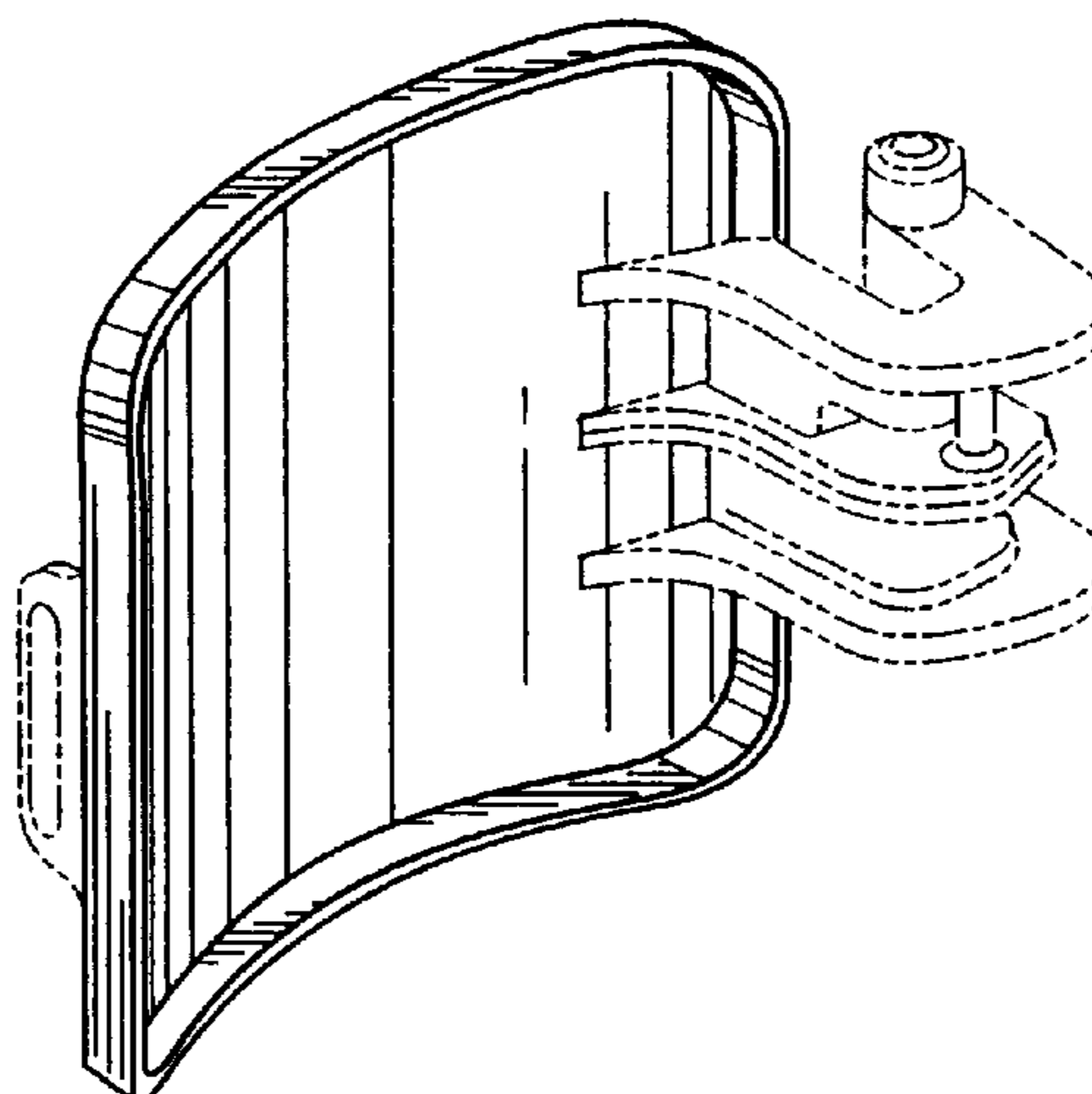


Fig. 1

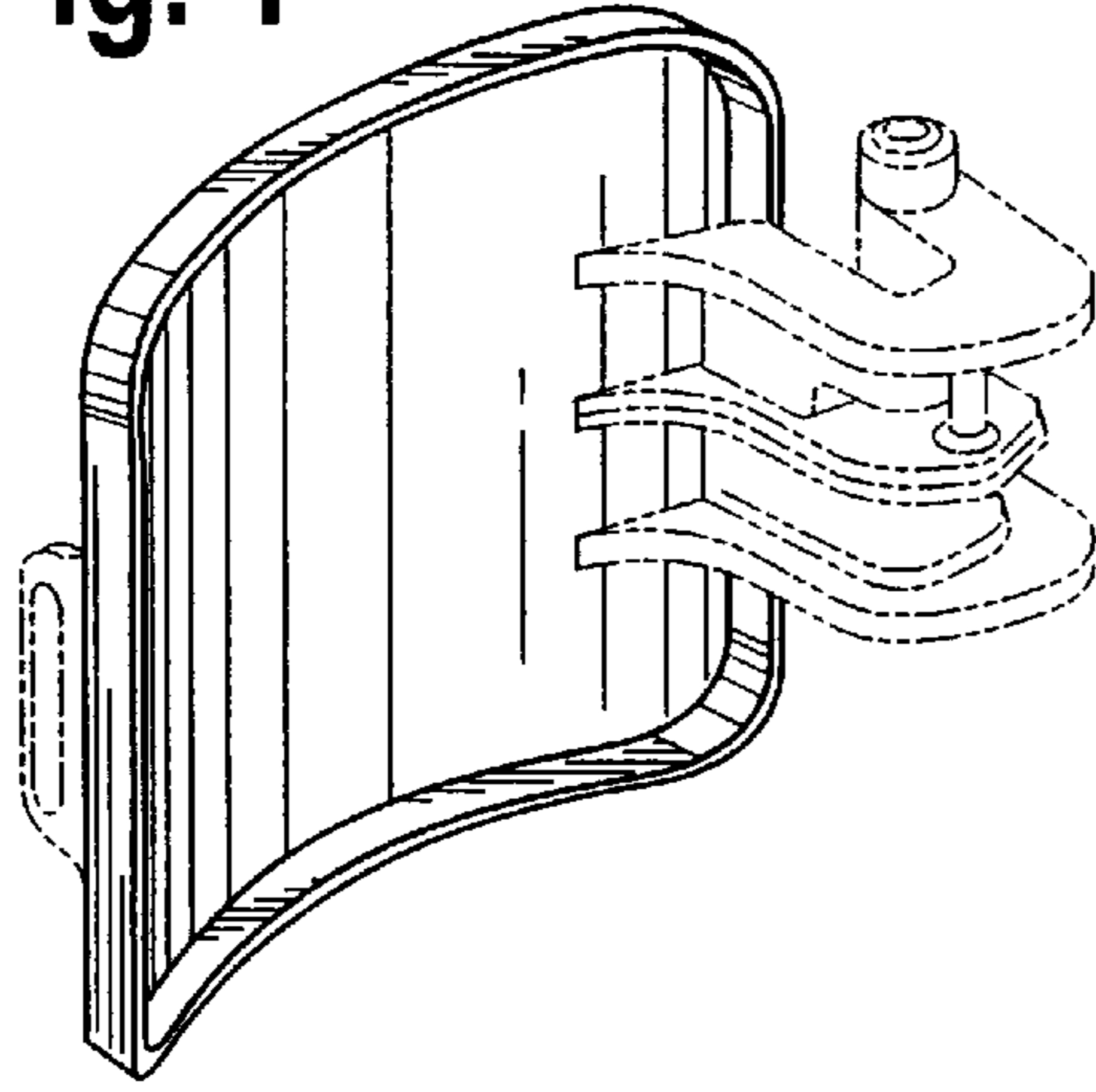


Fig. 2

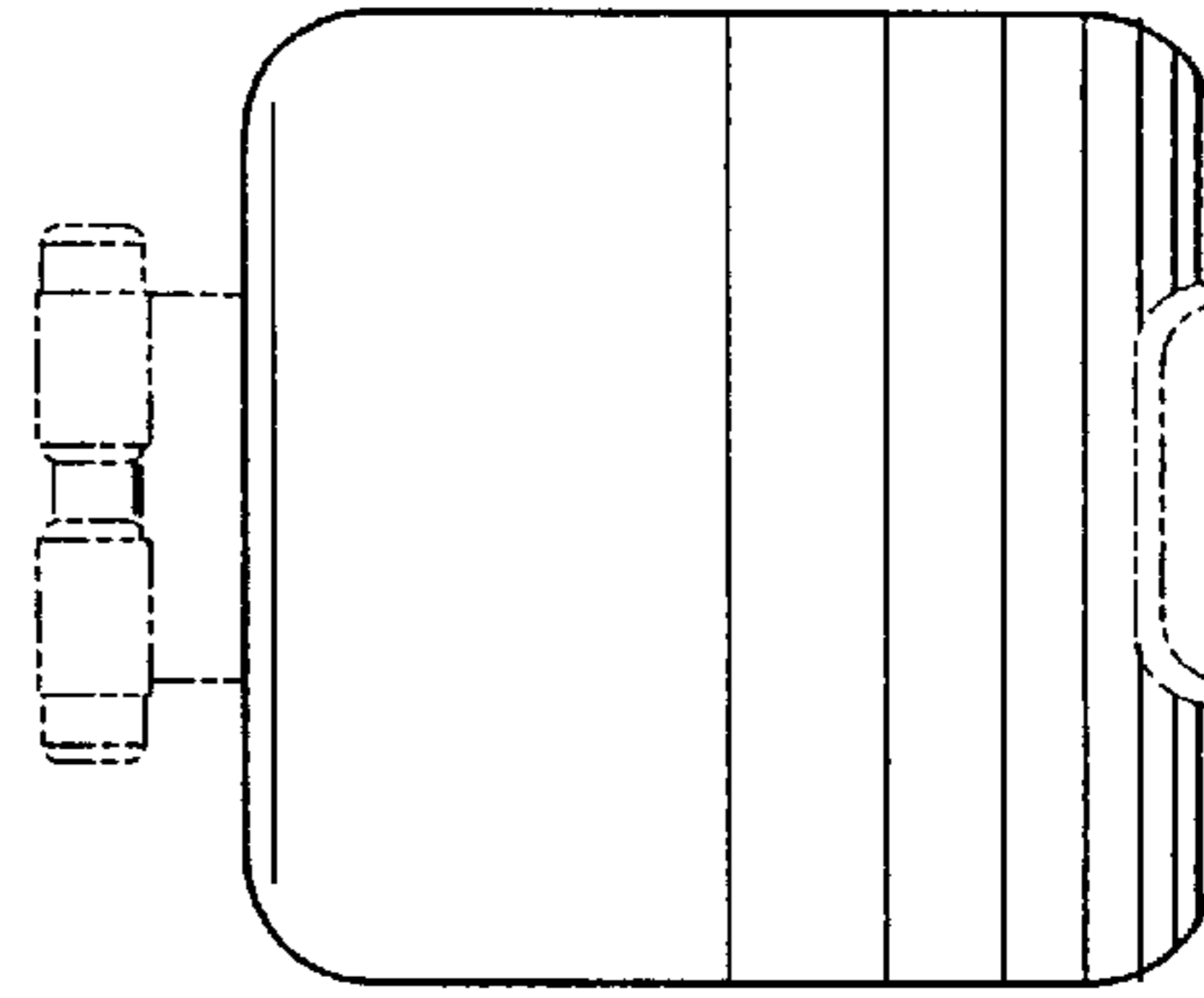


Fig. 3

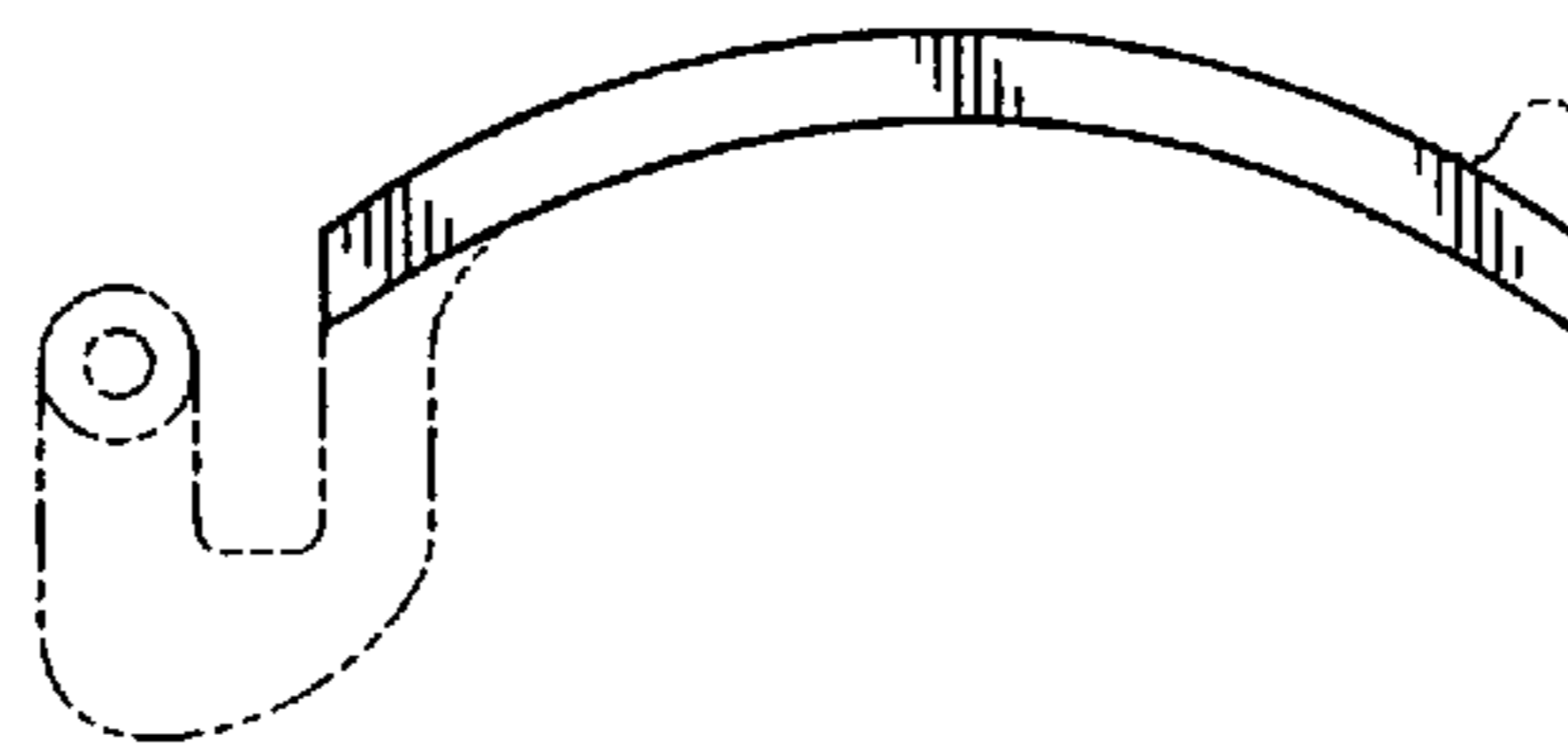


Fig. 4

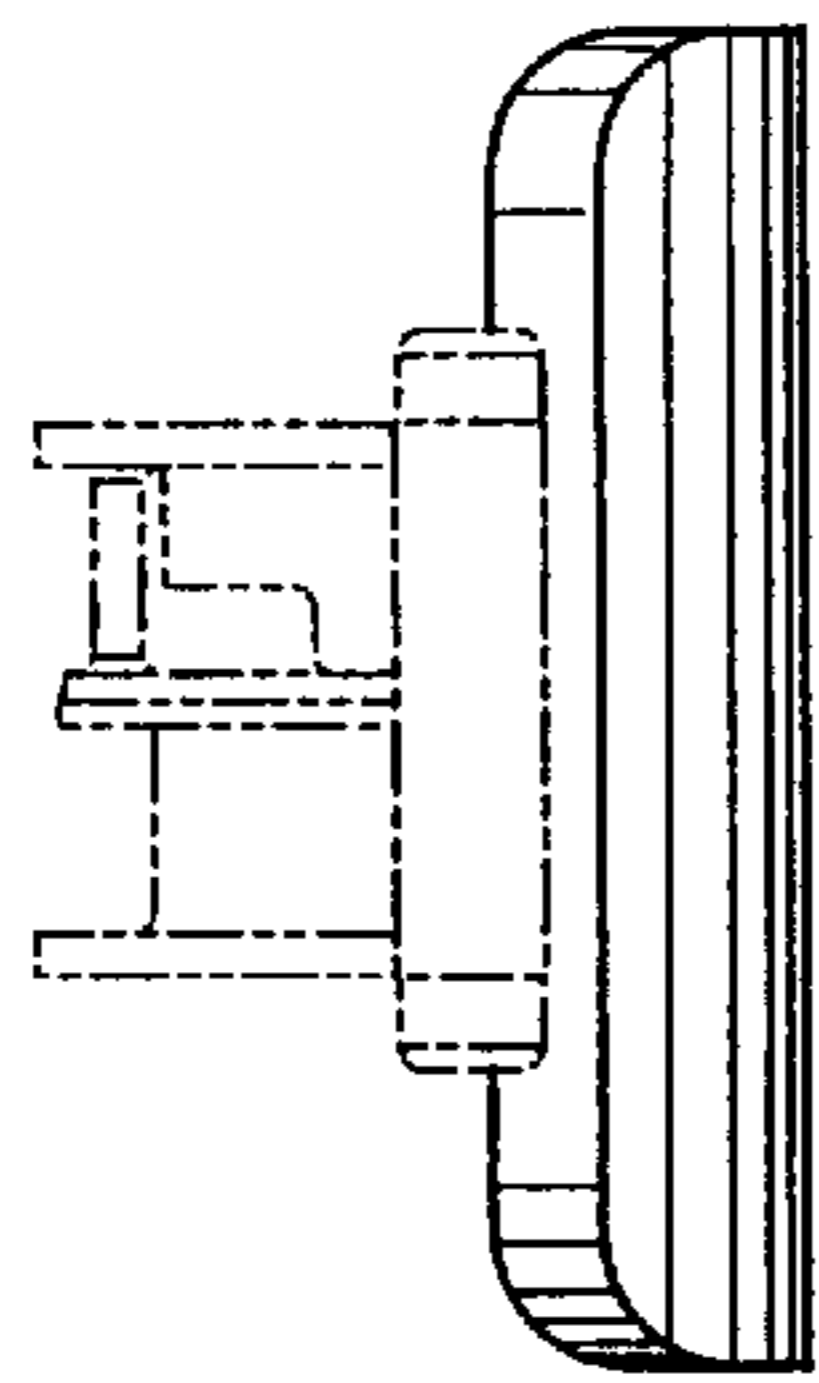


Fig. 5

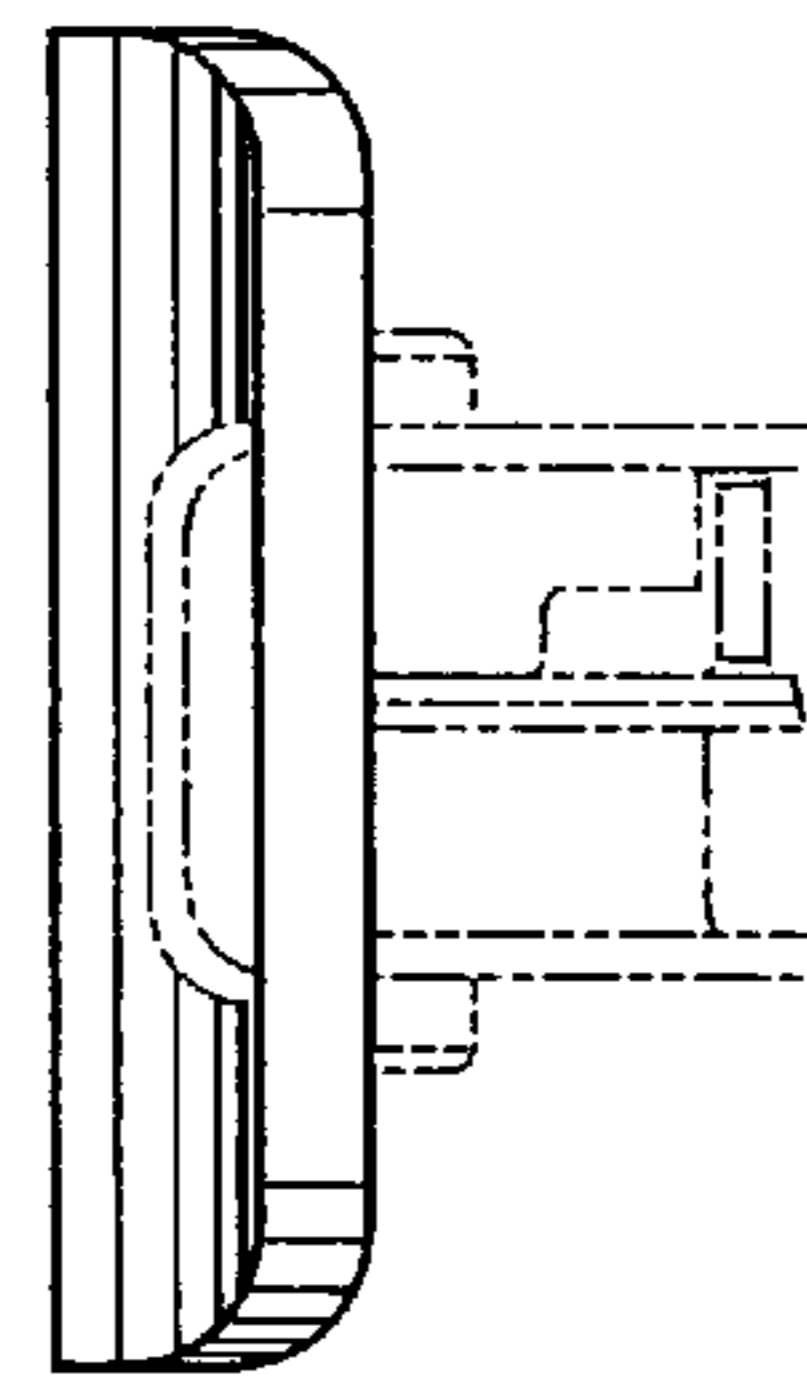


Fig. 6

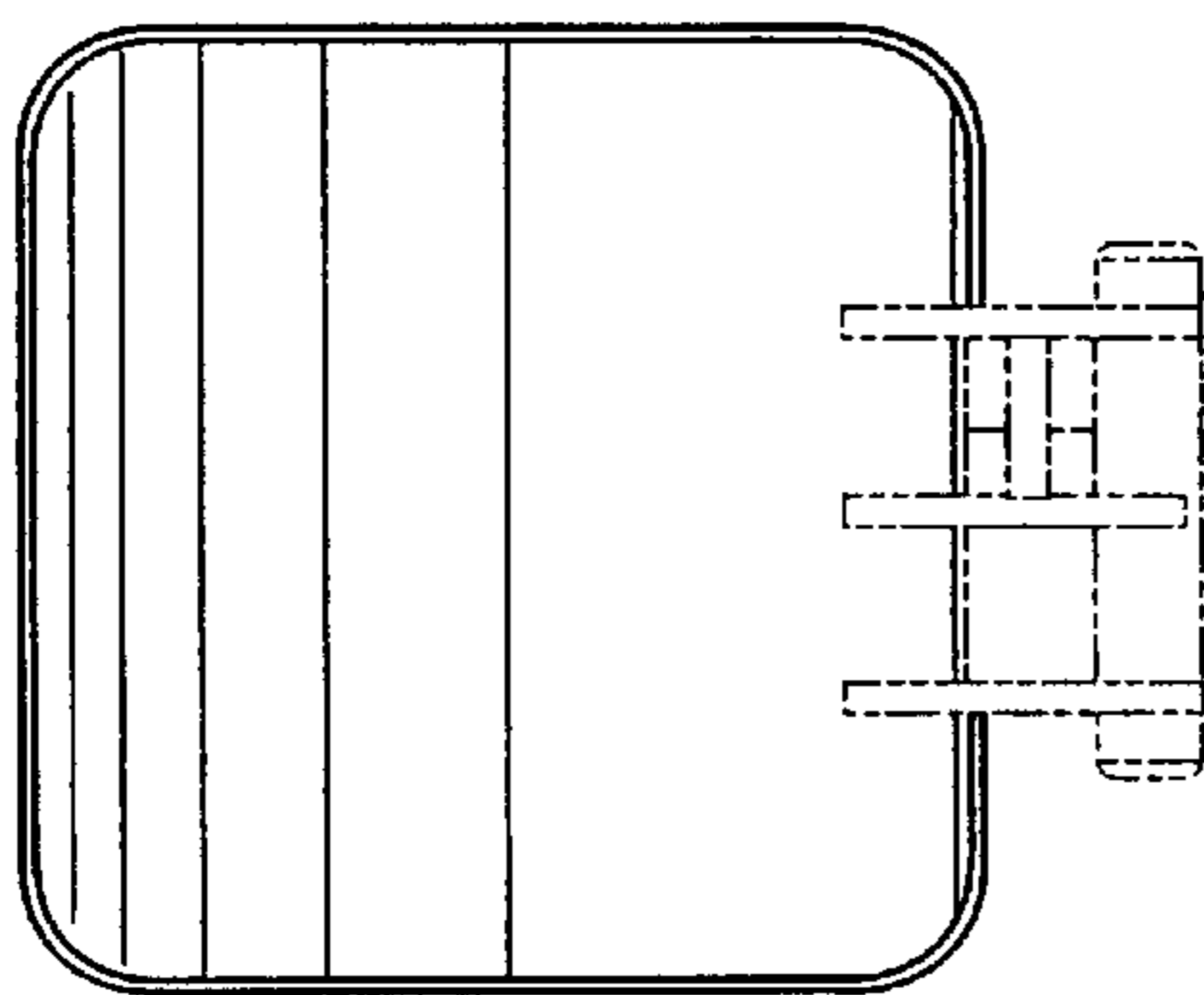
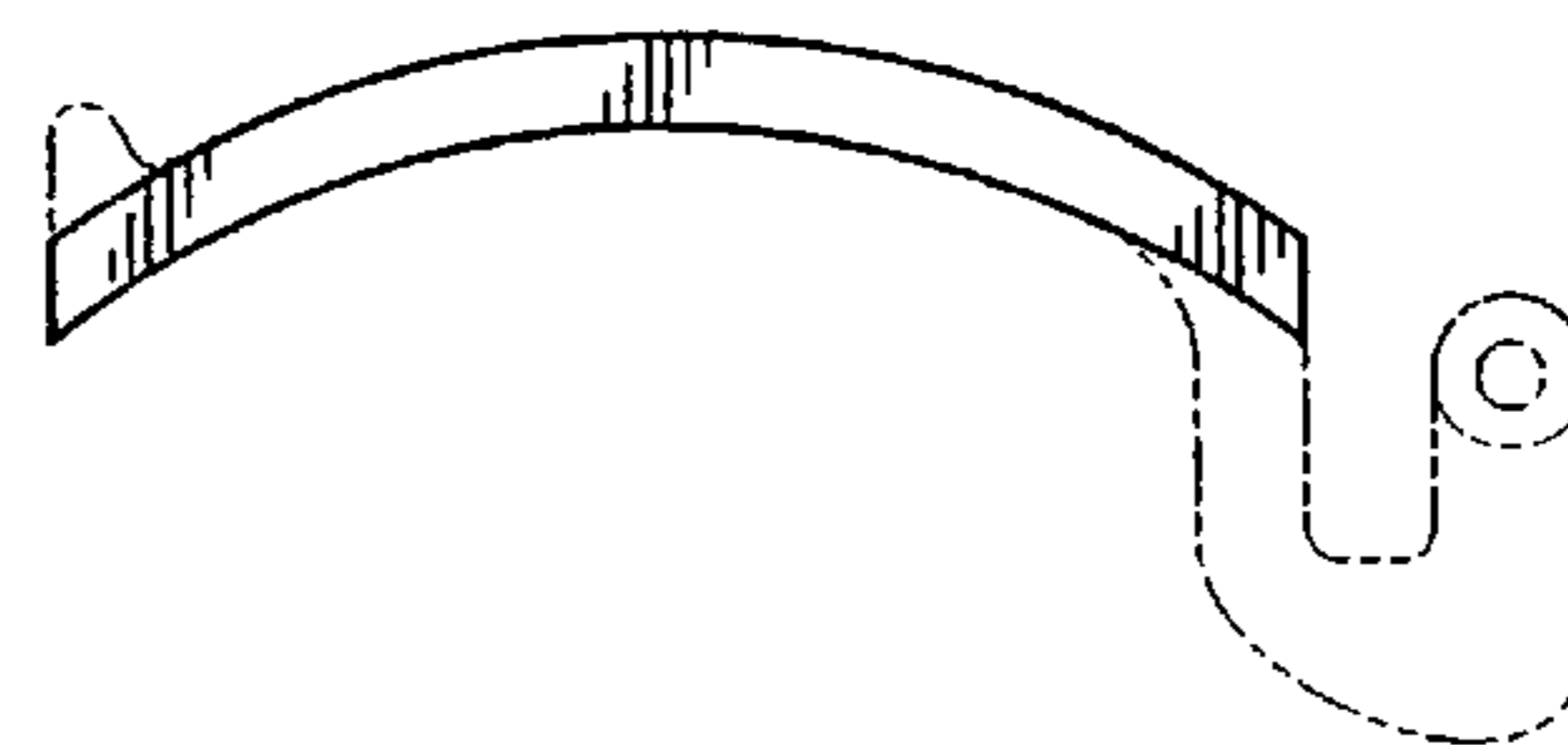


Fig. 7



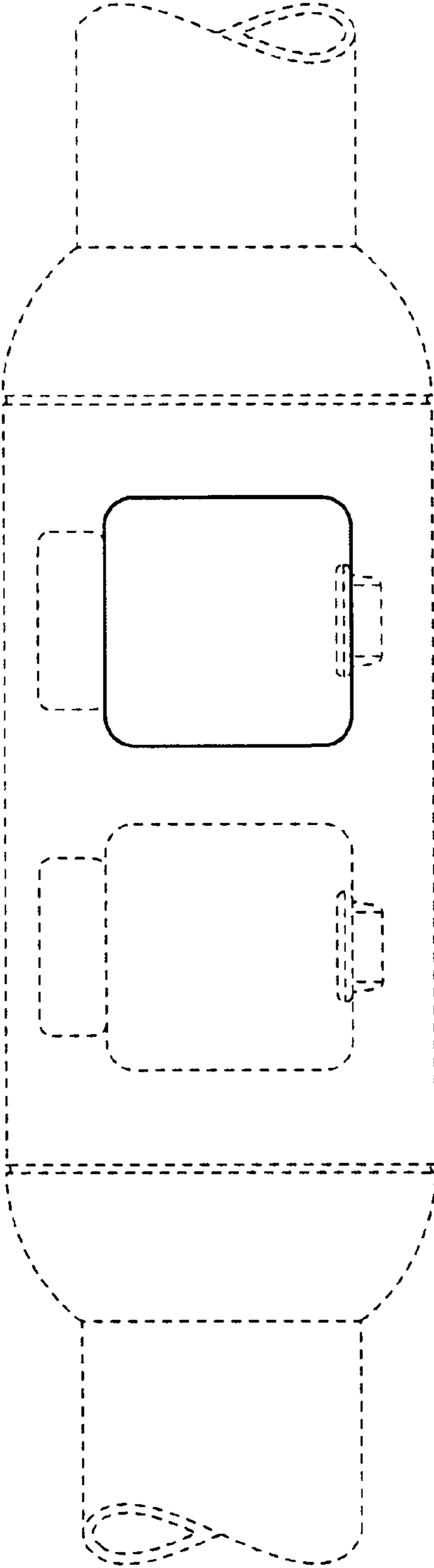


FIG. 8