

US00D508895S

(12) **United States Design Patent**  
**Montena**

(10) **Patent No.: US D508,895 S**

(45) **Date of Patent: \*\* \*Aug. 30, 2005**

(54) **CO-AXIAL CABLE CONNECTOR**  
(75) **Inventor: Noah P. Montena, Syracuse, NY (US)**  
(73) **Assignee: John Mezzalingua Associates, Inc., East Syracuse, NY (US)**

5,242,316 A \* 9/1993 Gartzke et al. .... 439/584  
5,266,740 A \* 11/1993 Hsu ..... 174/72 C  
D349,685 S \* 8/1994 Yair ..... D13/133  
5,480,325 A \* 1/1996 Tran et al. .... 439/578  
5,800,211 A \* 9/1998 Stabile et al. .... 439/578  
D458,904 S \* 6/2002 Montena ..... D13/154

(\* ) **Notice:** This patent is subject to a terminal disclaimer.

\* cited by examiner

(\*\* ) **Term: 14 Years**

*Primary Examiner*—Holly Baynham

*Assistant Examiner*—Cynthia M. Chin

(74) *Attorney, Agent, or Firm*—Schmeiser, Olsen & Watts

(21) **Appl. No.: 29/209,467**

(57) **CLAIM**

(22) **Filed: Jul. 16, 2004**

The ornamental design for a co-axial cable connector, as shown and described.

(51) **LOC (8) Cl. .... 13-03**

**DESCRIPTION**

(52) **U.S. Cl. .... D13/154**

(58) **Field of Search** ..... D13/146, 154,  
D13/133; 439/578, 580, 583–585, 174,  
175

FIG. 1 is a perspective view of a co-axial cable connector showing my new design;

FIG. 2 is a side elevational view thereof, the other side, top plan and bottom plan views being mirror images;

FIG. 3 is an end elevational view thereof, showing an end on the left side of FIG. 1; and,

FIG. 4 is an end elevational view thereof, showing an end on the right side of FIG. 1.

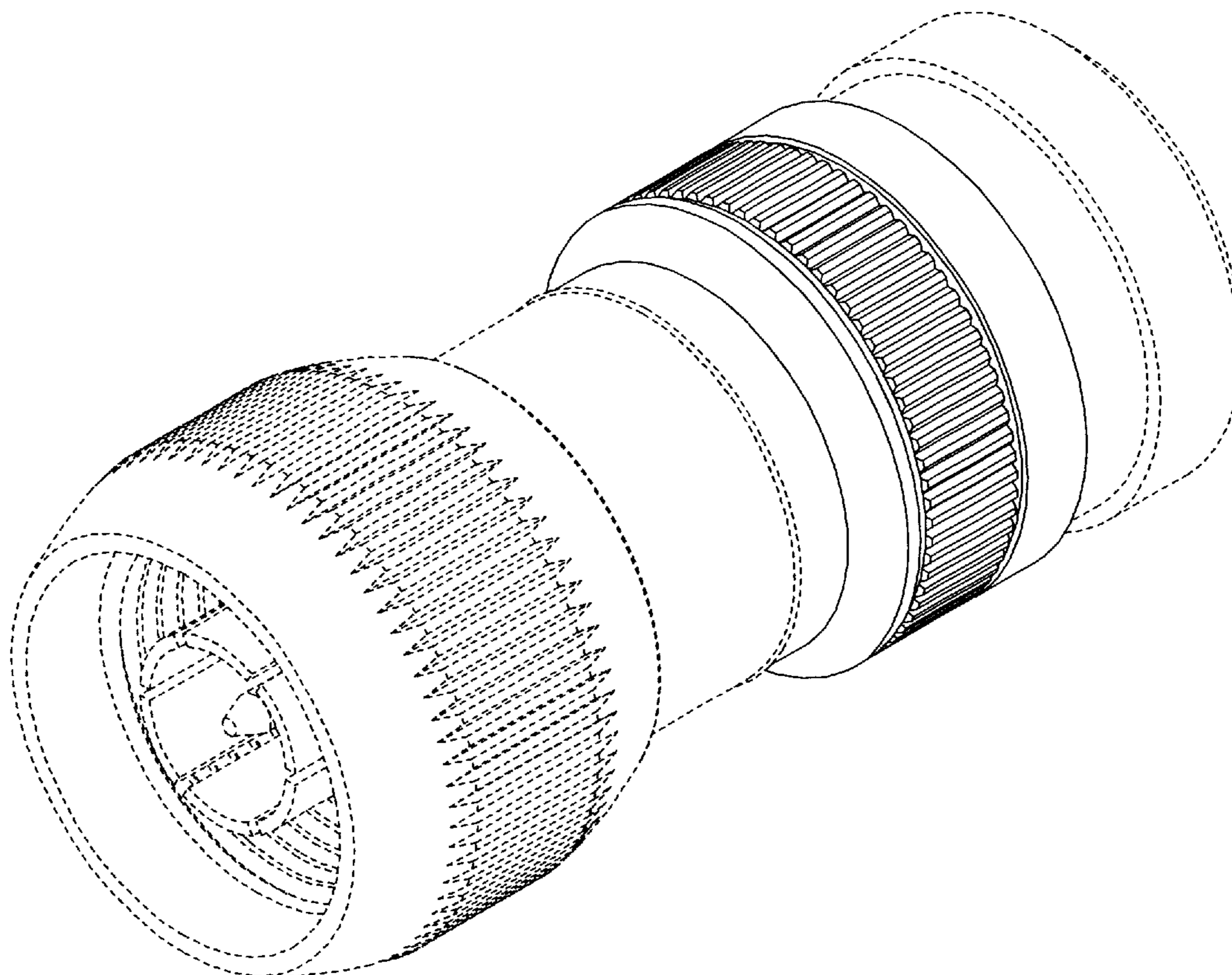
The broken lines depict environmental structure and form no part of the claimed design.

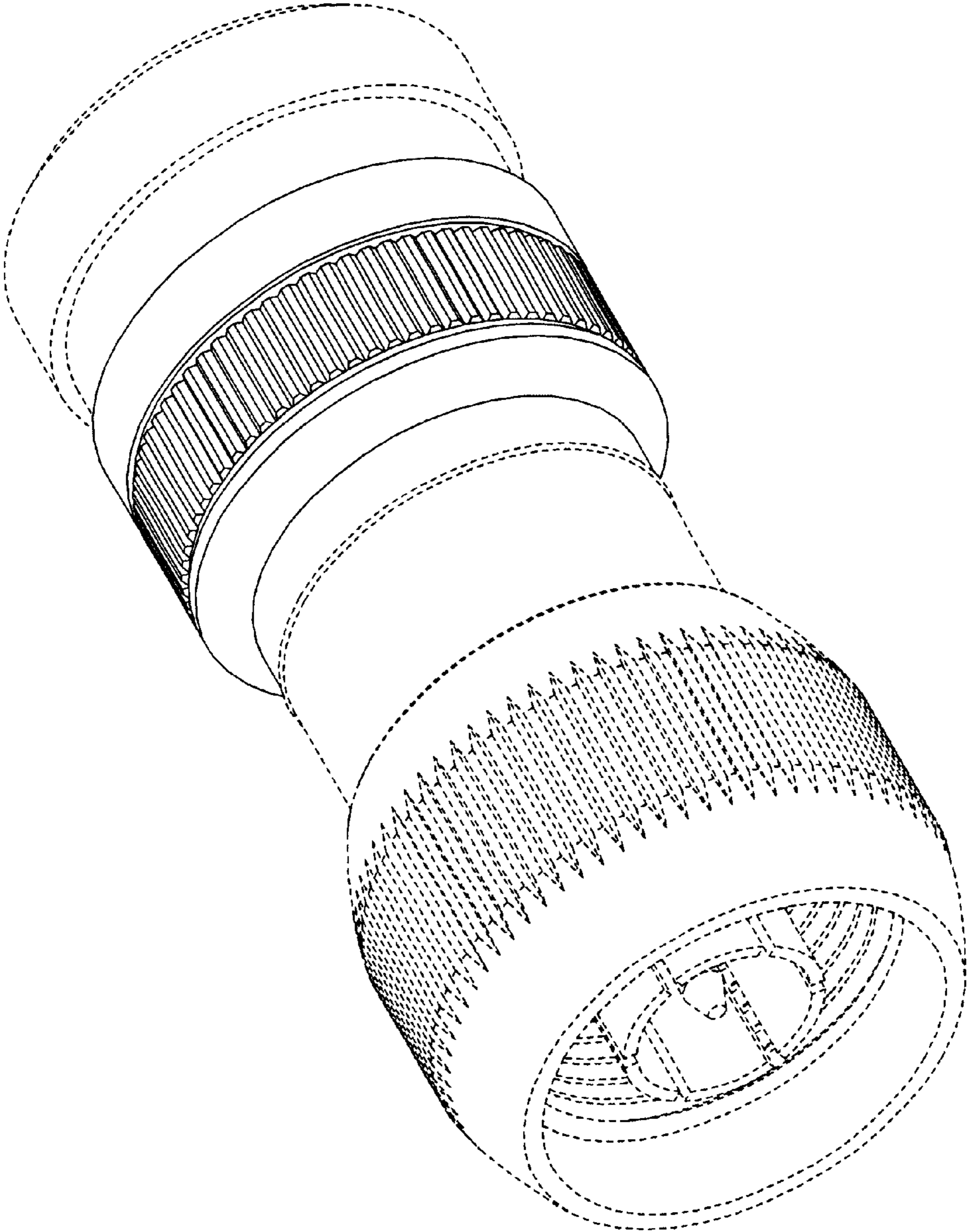
(56) **References Cited**

**U.S. PATENT DOCUMENTS**

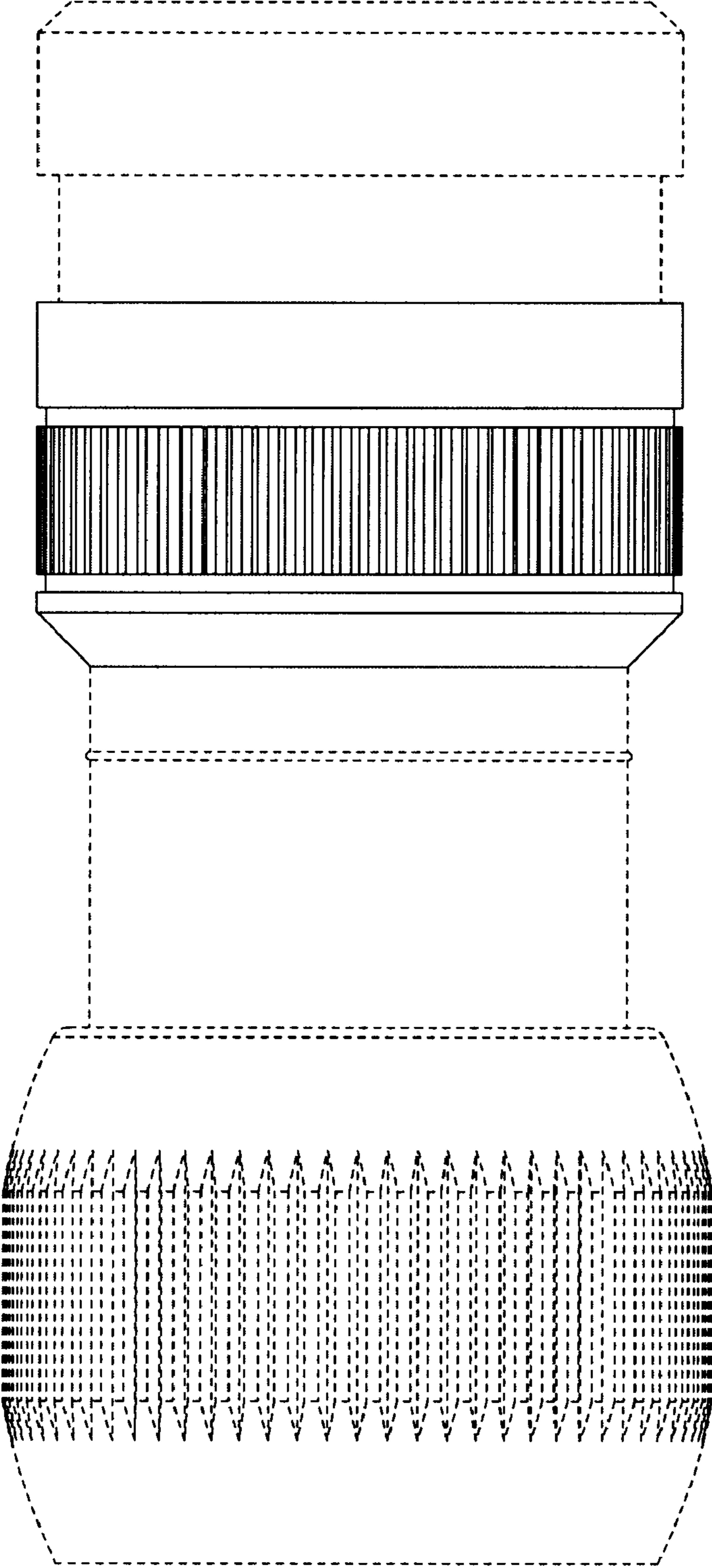
3,150,247 A \* 9/1964 White ..... 200/504  
3,290,640 A \* 12/1966 Forney, Jr. .... 439/198  
4,019,802 A \* 4/1977 Shannon et al. .... 439/585  
4,307,926 A \* 12/1981 Smith ..... 439/610  
4,799,902 A \* 1/1989 Laudig et al. .... 439/585

**1 Claim, 4 Drawing Sheets**

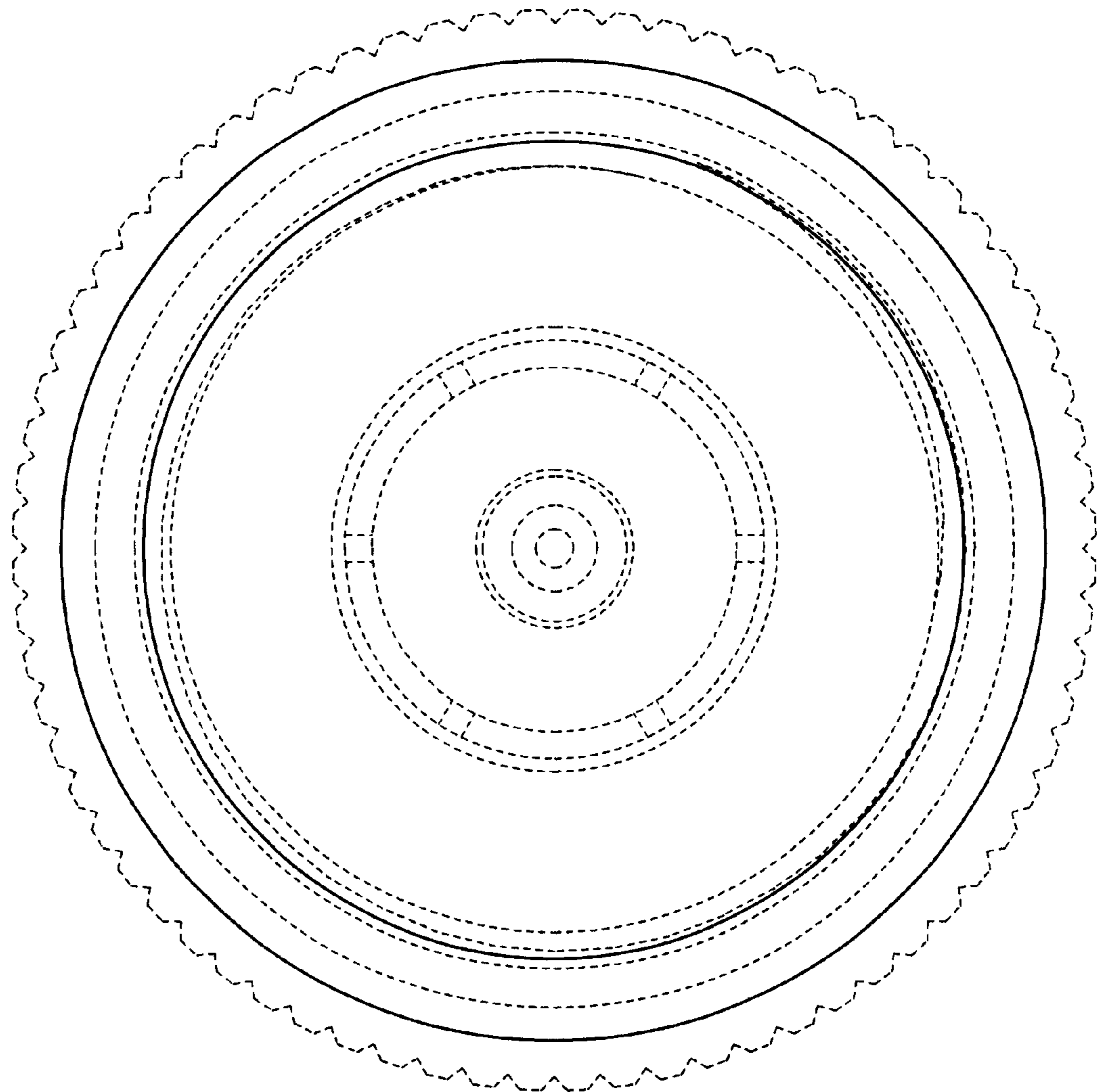




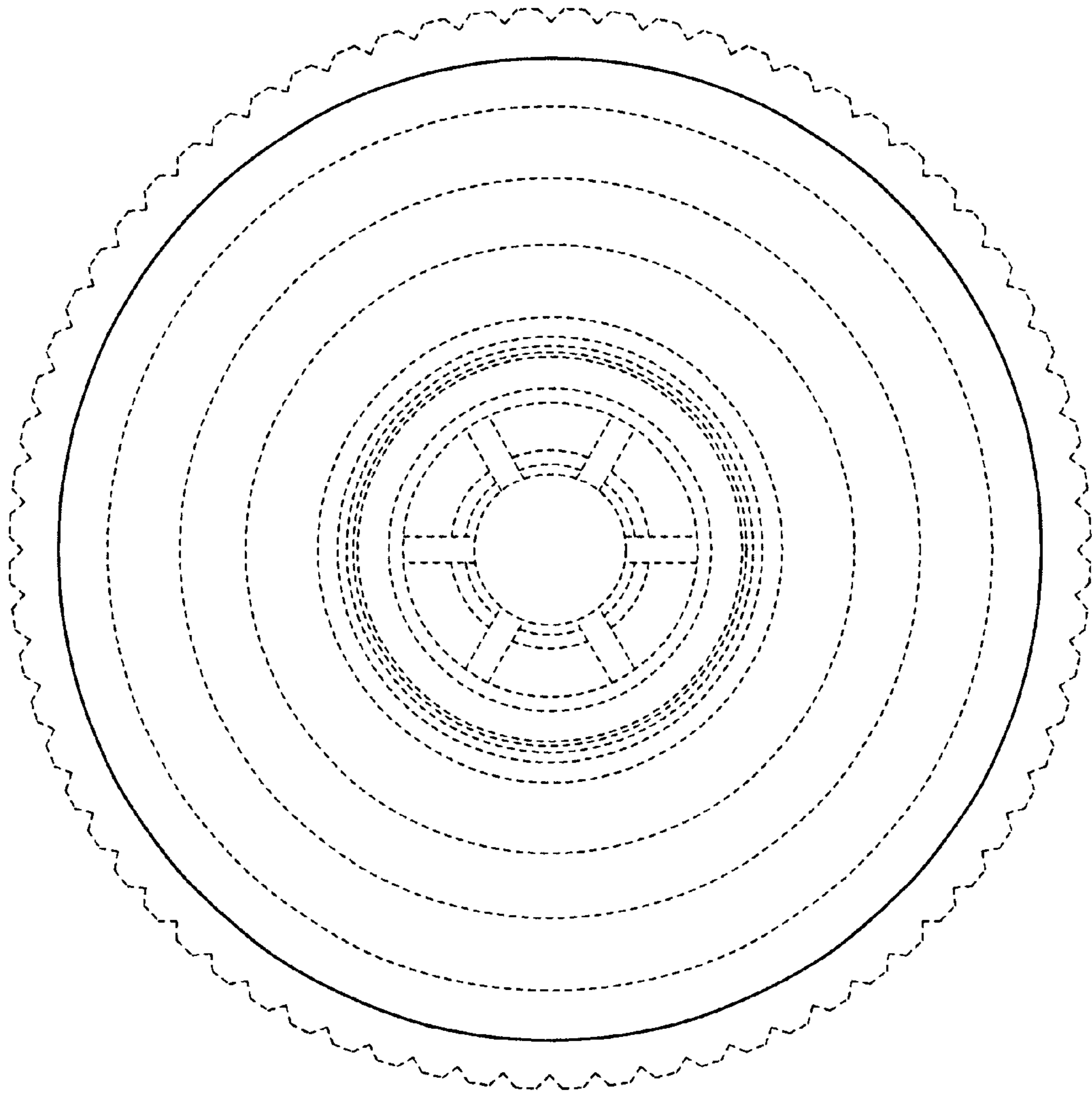
**FIG. 1**



**FIG. 2**



**FIG. 3**



***FIG. 4***