

US00D508894S

(12) **United States Design Patent**
Zhao et al.

(10) **Patent No.:** **US D508,894 S**

(45) **Date of Patent:** **** Aug. 30, 2005**

(54) **POWER CONNECTOR**

(75) Inventors: **Qijun Zhao**, Kunsan (CN); **Guohua Zhang**, Kunsan (CN); **ZiQiang Zhu**, Kunsan (CN); **Bo Liu**, Kunsan (CN); **YuLong Mao**, Kunsan (CN)

(73) Assignee: **Hon Hai Precision Ind. Co., Ltd.**, Taipei Hsien (TW)

(**) Term: **14 Years**

(21) Appl. No.: **29/200,193**

(22) Filed: **Feb. 24, 2004**

Related U.S. Application Data

(63) Continuation-in-part of application No. 10/285,986, filed on Nov. 1, 2002, now Pat. No. 6,695,986.

(30) **Foreign Application Priority Data**

Jan. 8, 2004 (CN) 20043001574

(51) **LOC (8) Cl.** **13-03**

(52) **U.S. Cl.** **D13/133**

(58) **Field of Search** D13/123, 133,
D13/154, 184, 199; 439/188, 607, 668,
669, 939

(56) **References Cited**

U.S. PATENT DOCUMENTS

D298,312 S * 11/1988 Sekiguchi D13/147

5,178,562 A * 1/1993 Ermini 439/609
5,273,460 A * 12/1993 Arai 439/609
5,908,331 A * 6/1999 Hsu et al. 439/607
D416,862 S * 11/1999 Chiou D13/146
6,109,966 A * 8/2000 Chiou 439/607
D478,870 S * 8/2003 Fang D13/147
D494,137 S * 8/2004 Fang D13/133

* cited by examiner

Primary Examiner—Stella Reid
Assistant Examiner—Daniel Bui
(74) *Attorney, Agent, or Firm*—Wei Te Chung

(57) **CLAIM**

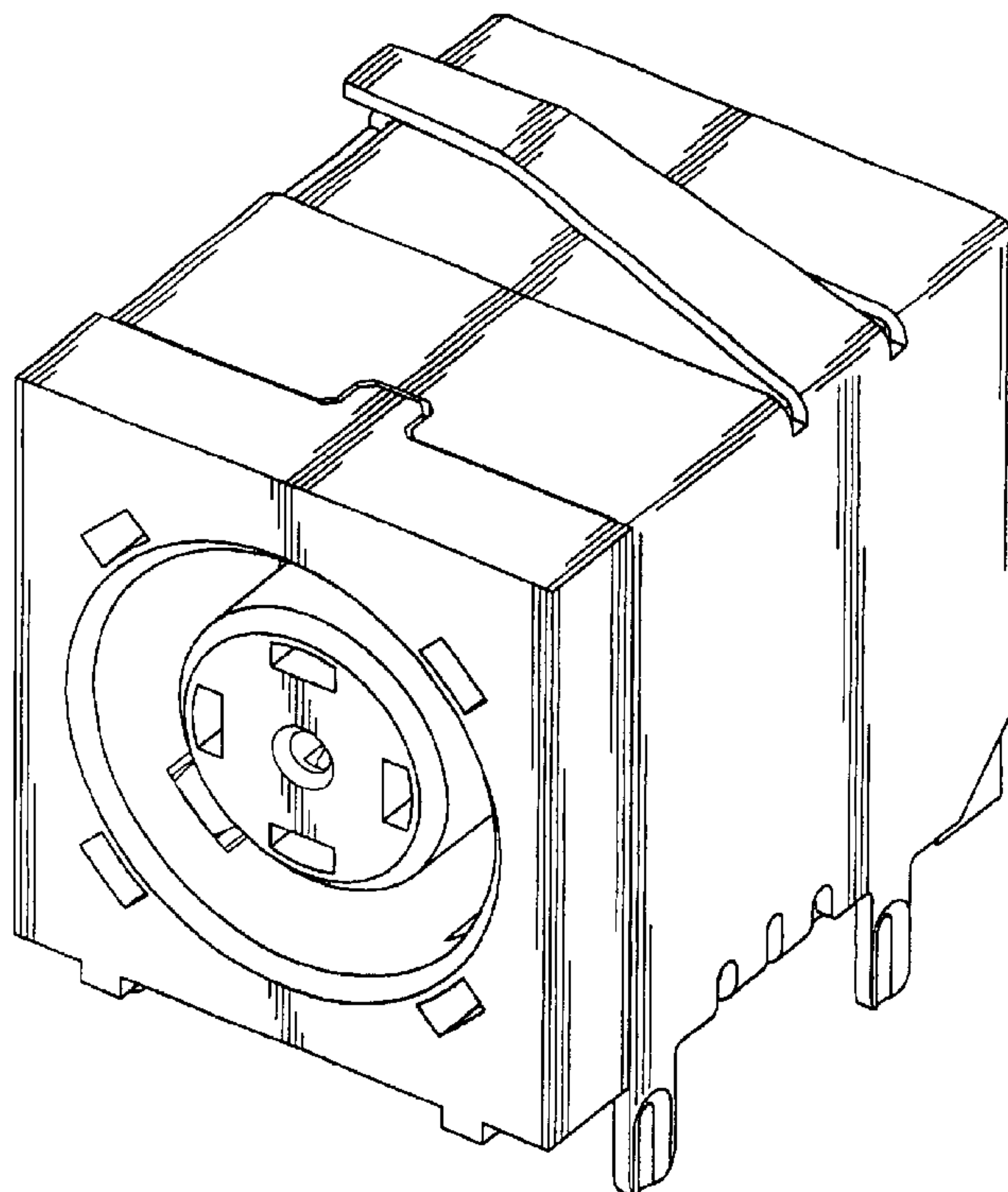
The ornamental design for a power connector, as shown.

DESCRIPTION

FIG. 1 is a front, top and right side perspective view of a power connector showing our new design;
FIG. 2 is a front elevational view thereof;
FIG. 3 is a rear elevational view thereof;
FIG. 4 is a left side elevational view thereof;
FIG. 5 is a right side elevational view thereof;
FIG. 6 is a top plan view thereof; and,
FIG. 7 is a bottom plan view thereof.

The broken line showing of the environment is for illustrative purposes only and forms no part of the claimed design.

1 Claim, 7 Drawing Sheets



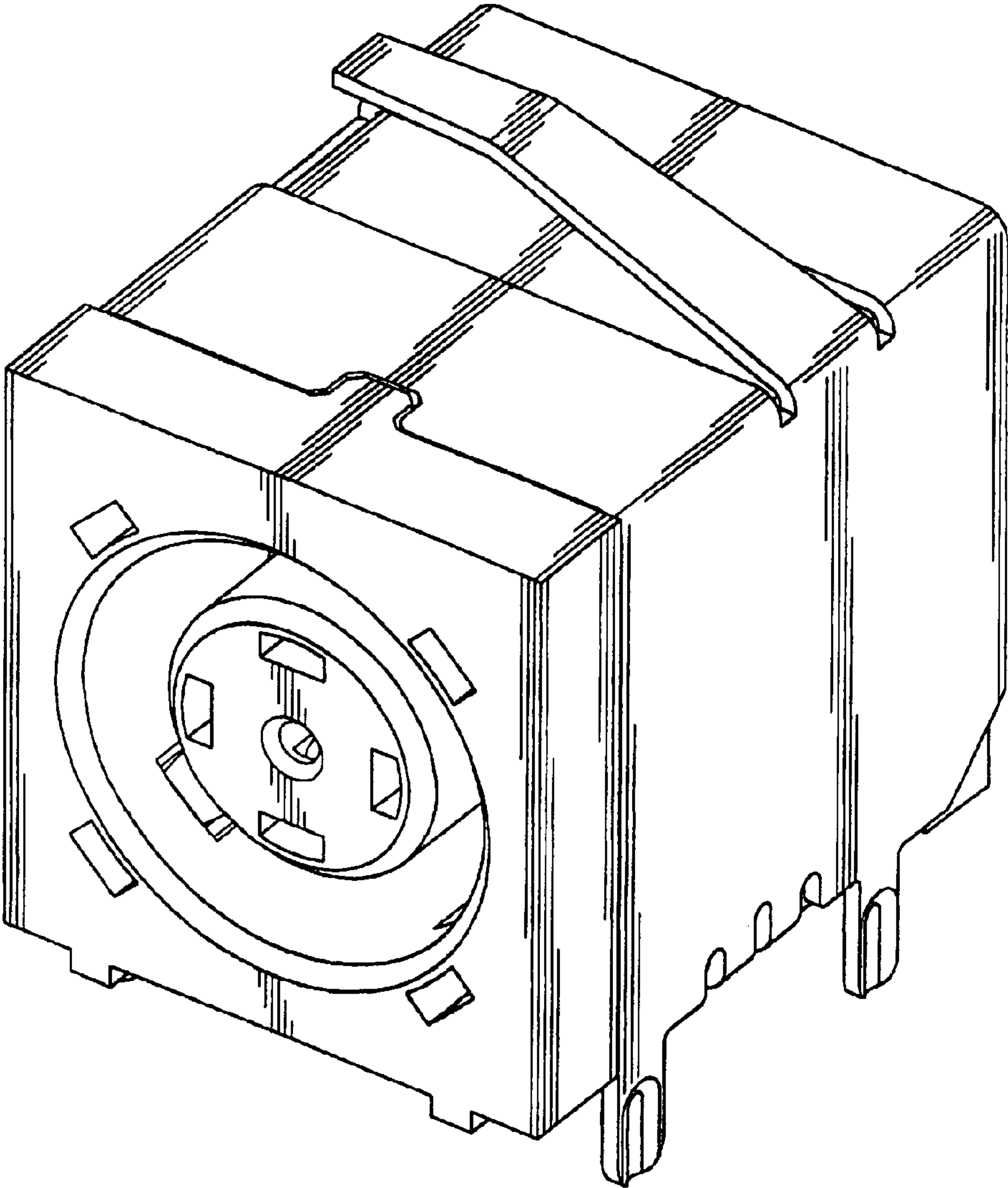


FIG. 1

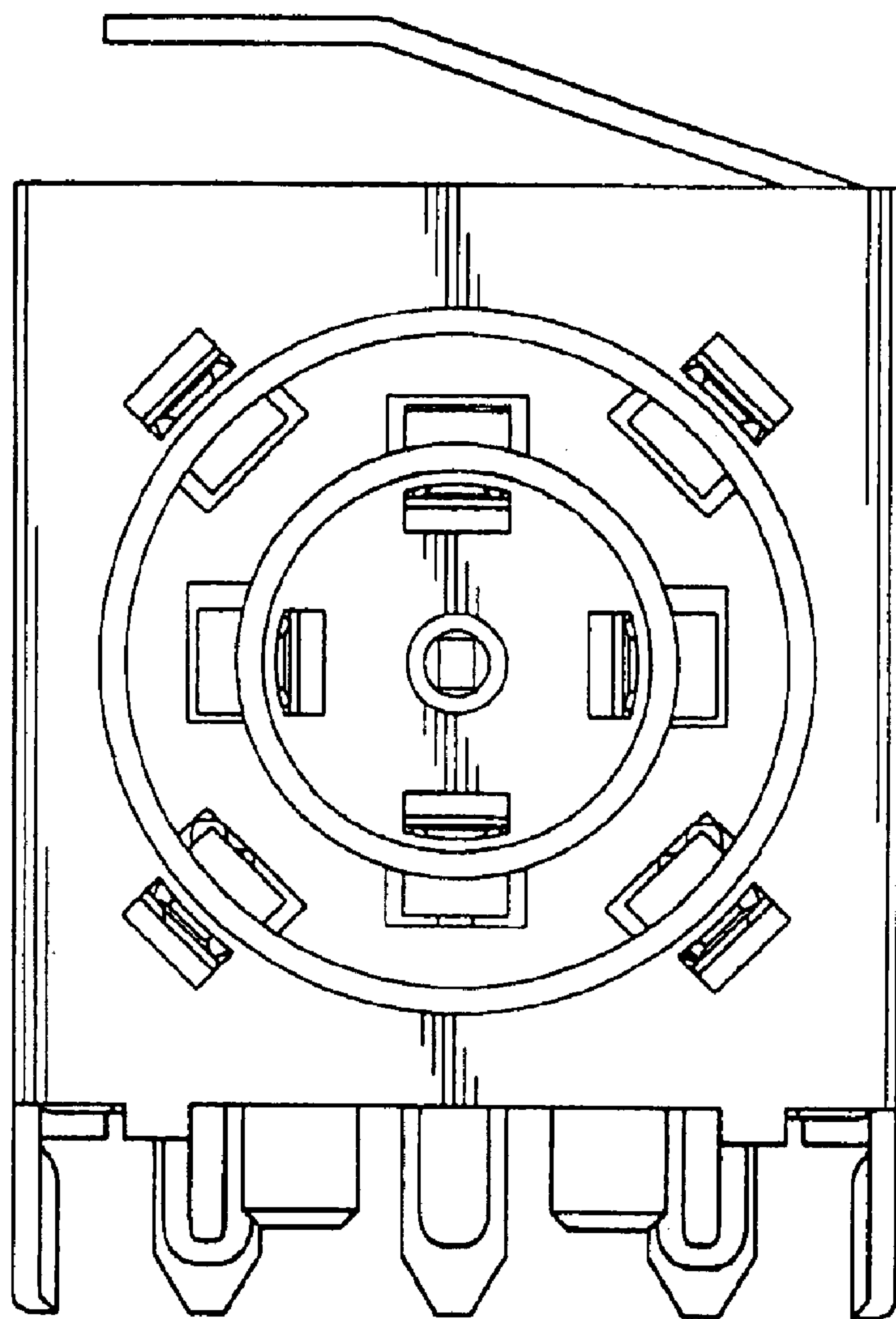


FIG. 2

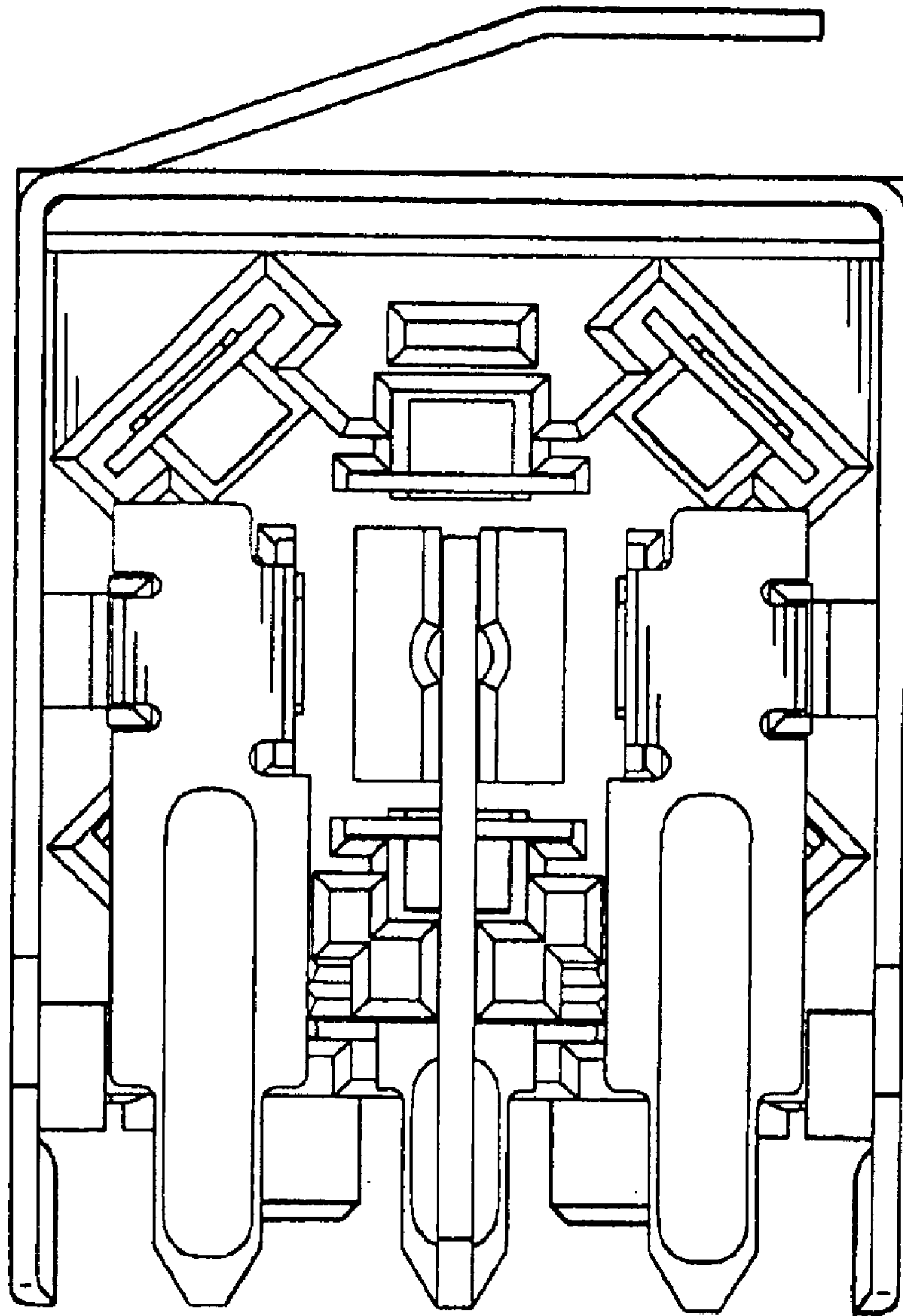


FIG. 3

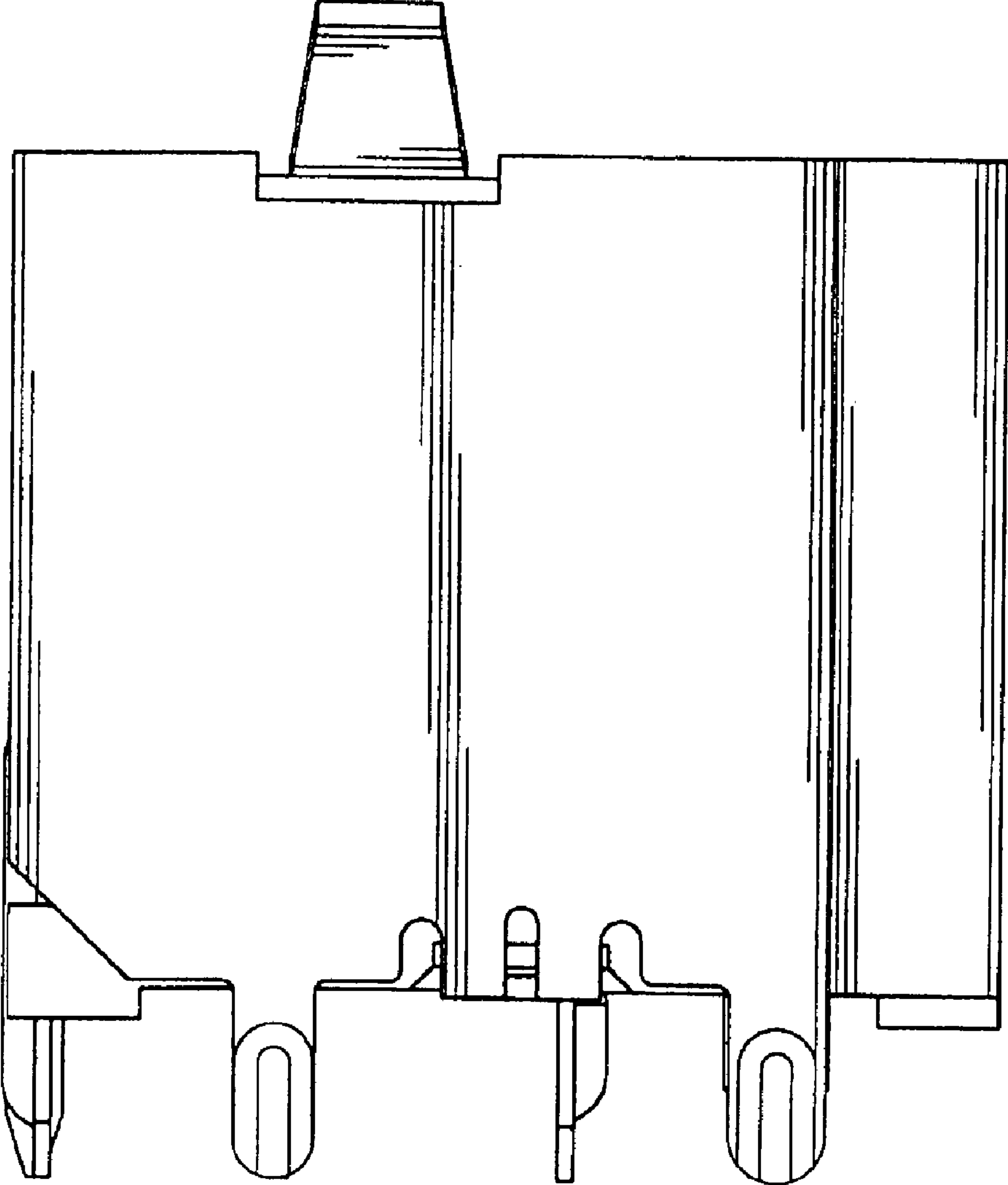


FIG. 4

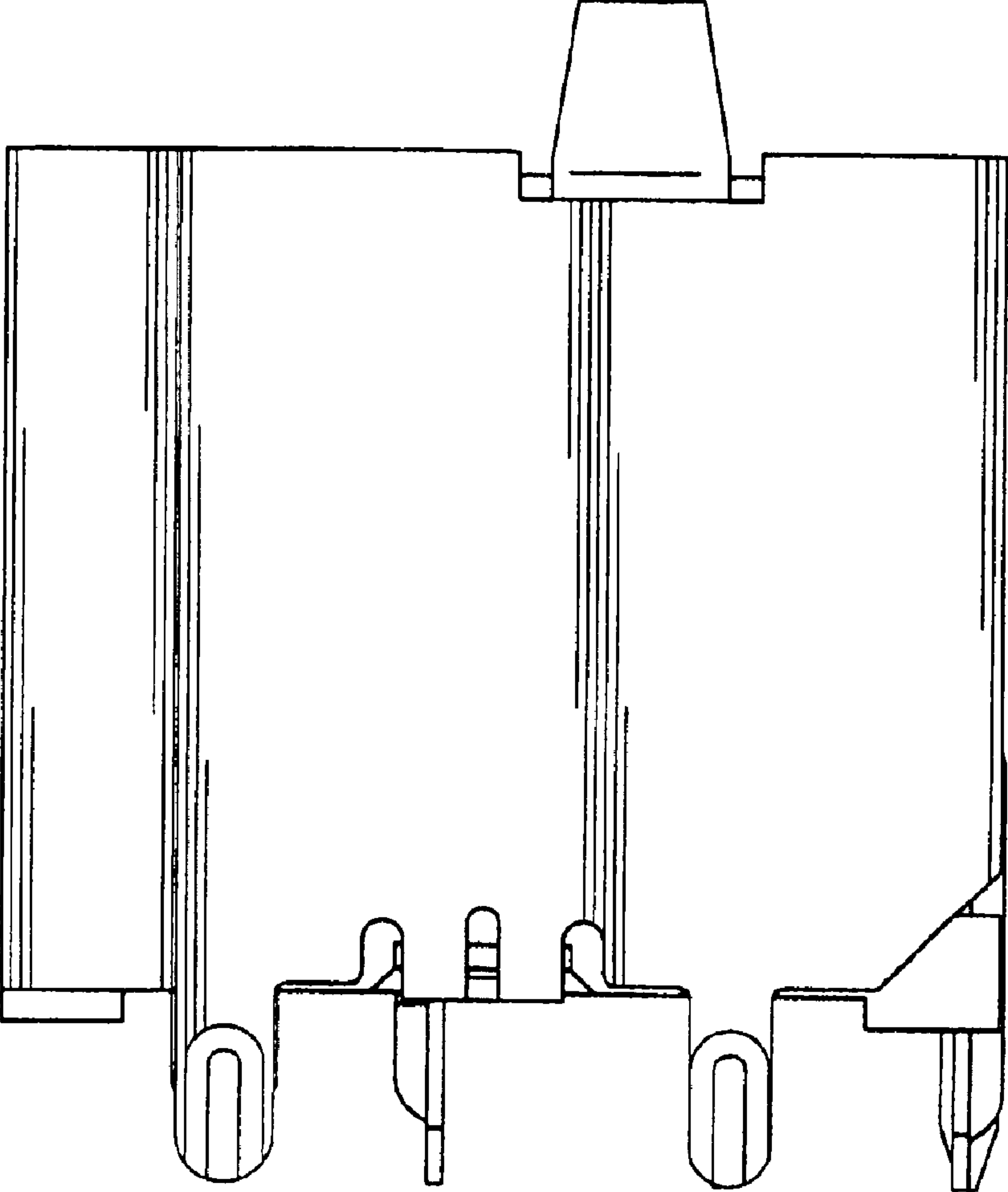


FIG. 5

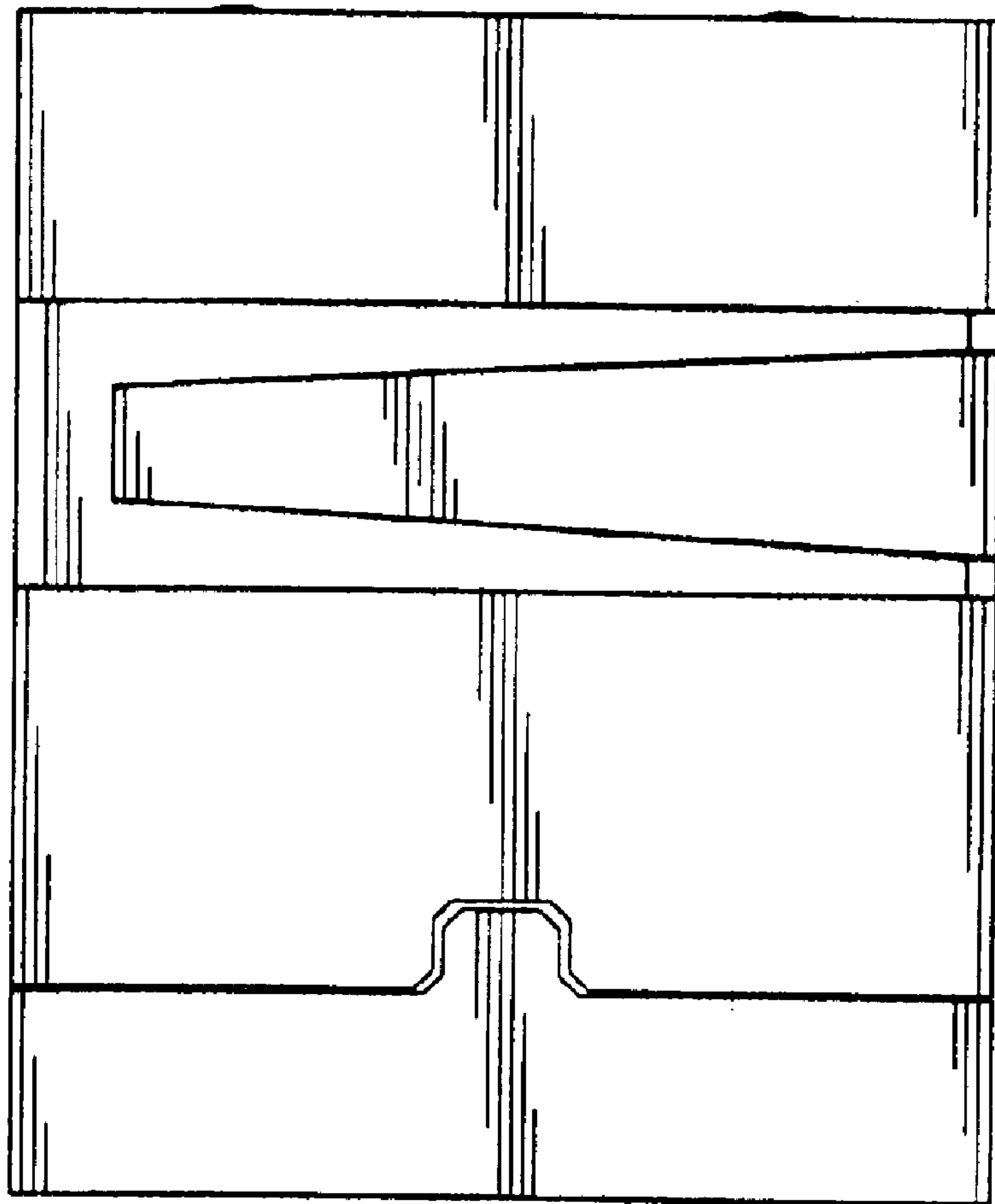


FIG. 6

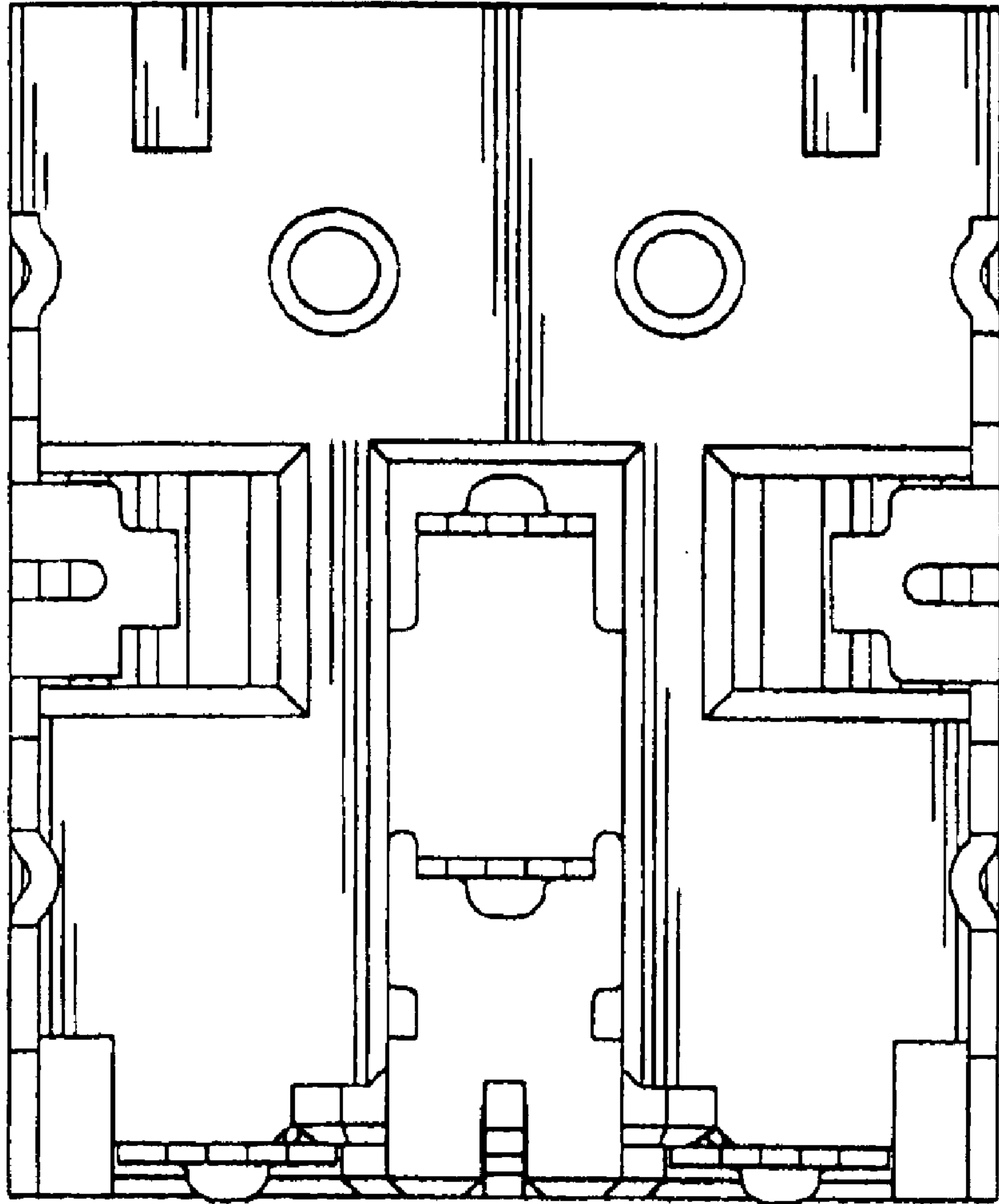


FIG. 7