

US00D508893S

(12) **United States Design Patent**
Kato et al.

(10) **Patent No.:** **US D508,893 S**
(45) **Date of Patent:** **** Aug. 30, 2005**

(54) **BLADE ASSEMBLY FOR A WIND POWER GENERATOR**

(75) Inventors: **Kazumichi Kato, Ise (JP); Toshio Miki, Ise (JP); Hiroo Mike, Ise (JP); Junichi Kurokawa, Ise (JP)**

(73) Assignee: **Shinko Electric Co., Ltd. (JP)**

(**) Term: **14 Years**

(21) Appl. No.: **29/201,605**

(22) Filed: **Mar. 18, 2004**

(51) **LOC (8) Cl.** **13-01**

(52) **U.S. Cl.** **D13/115; D13/118**

(58) **Field of Search** **D13/110-118, D13/184, 199; 290/43-44, 52-55; 415/2.1, 3.1, 122.1, 209.1; 416/176-177**

(56) **References Cited**

U.S. PATENT DOCUMENTS

D122,433 S * 9/1940 Edens D15/1
4,318,019 A * 3/1982 Teasley et al. 310/156.35
4,520,273 A * 5/1985 Rowe 290/54

5,518,367 A * 5/1996 Verastegui 416/119
6,629,815 B2 * 10/2003 Lusk 415/907
6,853,096 B1 * 2/2005 Yu et al. 290/55
2003/0030283 A1 * 2/2003 Lusk 290/44
2003/0185666 A1 * 10/2003 Ursua 415/4.2
2004/0036297 A1 * 2/2004 Rowe 290/55

* cited by examiner

Primary Examiner—Stella Reid

Assistant Examiner—Daniel Bui

(74) *Attorney, Agent, or Firm*—Steptoe & Johnson LLP

(57) **CLAIM**

The ornamental design for a blade assembly for a wind power generator, as shown and described.

DESCRIPTION

FIG. 1 is a perspective view of a blade assembly for a wind power generator.

FIG. 2 is a front elevation view thereof, the right and left side elevation views and rear elevation view being identical thereto.

FIG. 3 is a top plan view thereof; and,

FIG. 4 is a bottom plan view thereof.

1 Claim, 4 Drawing Sheets

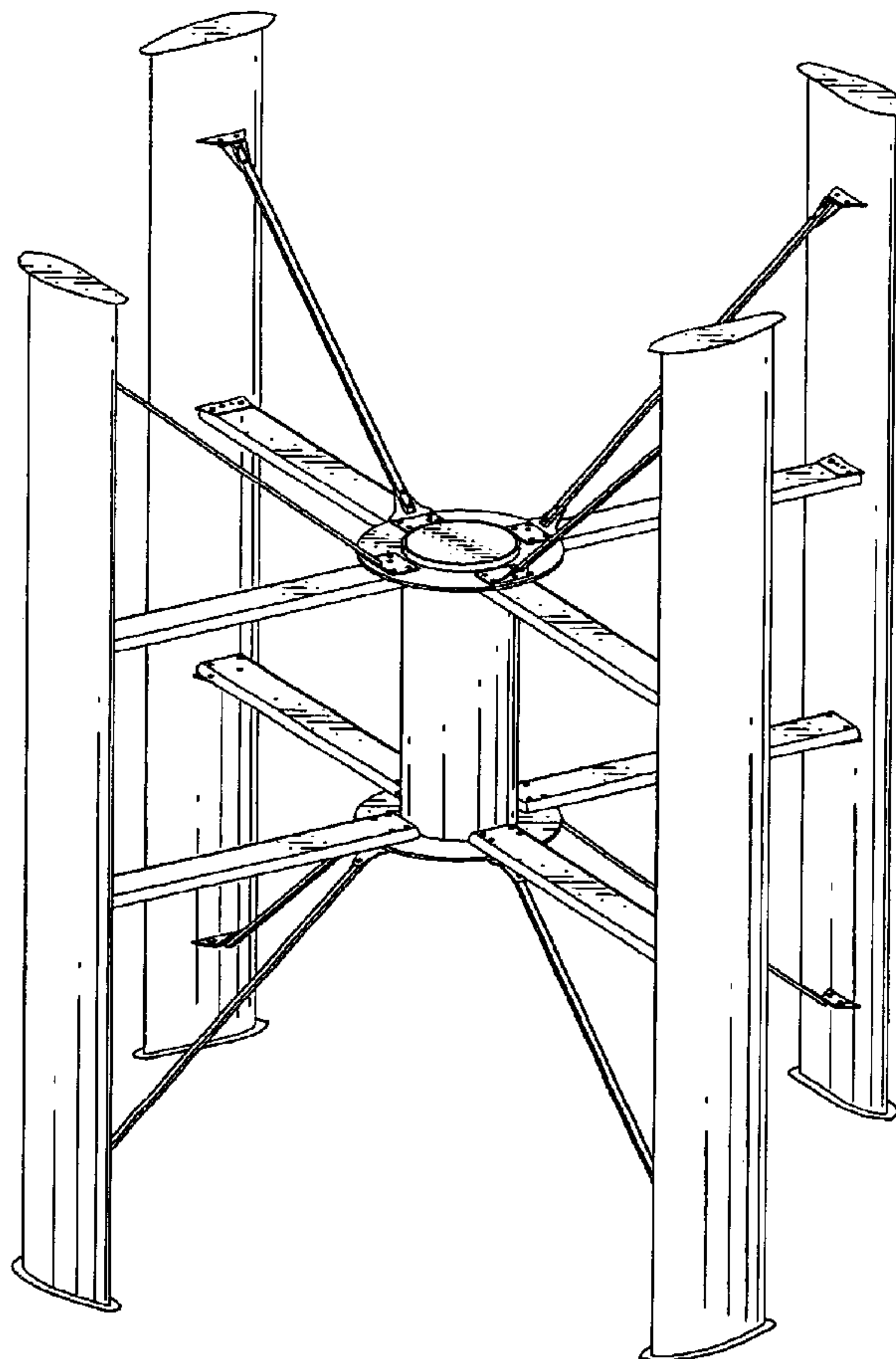


FIG. 1

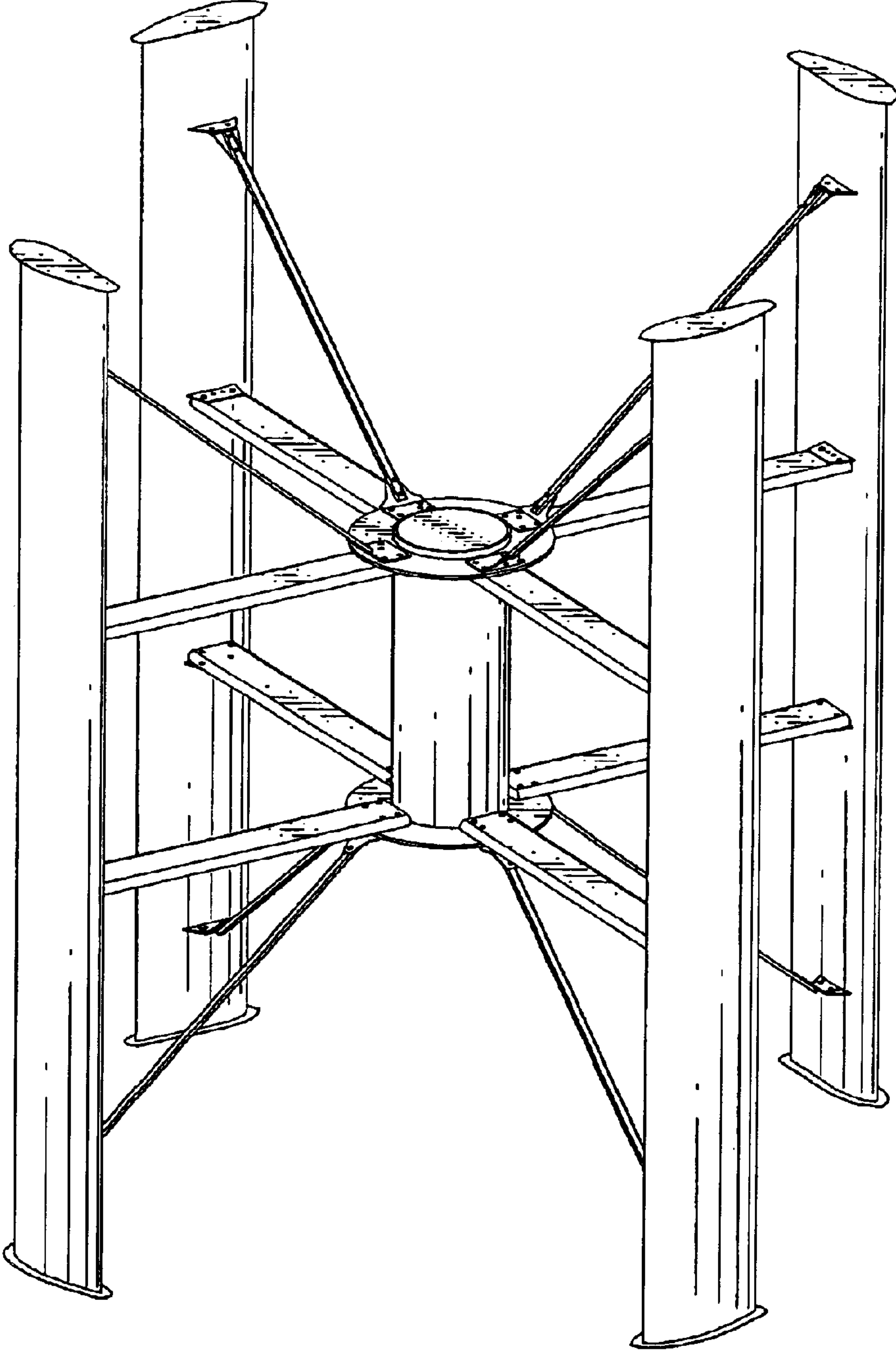


FIG. 2

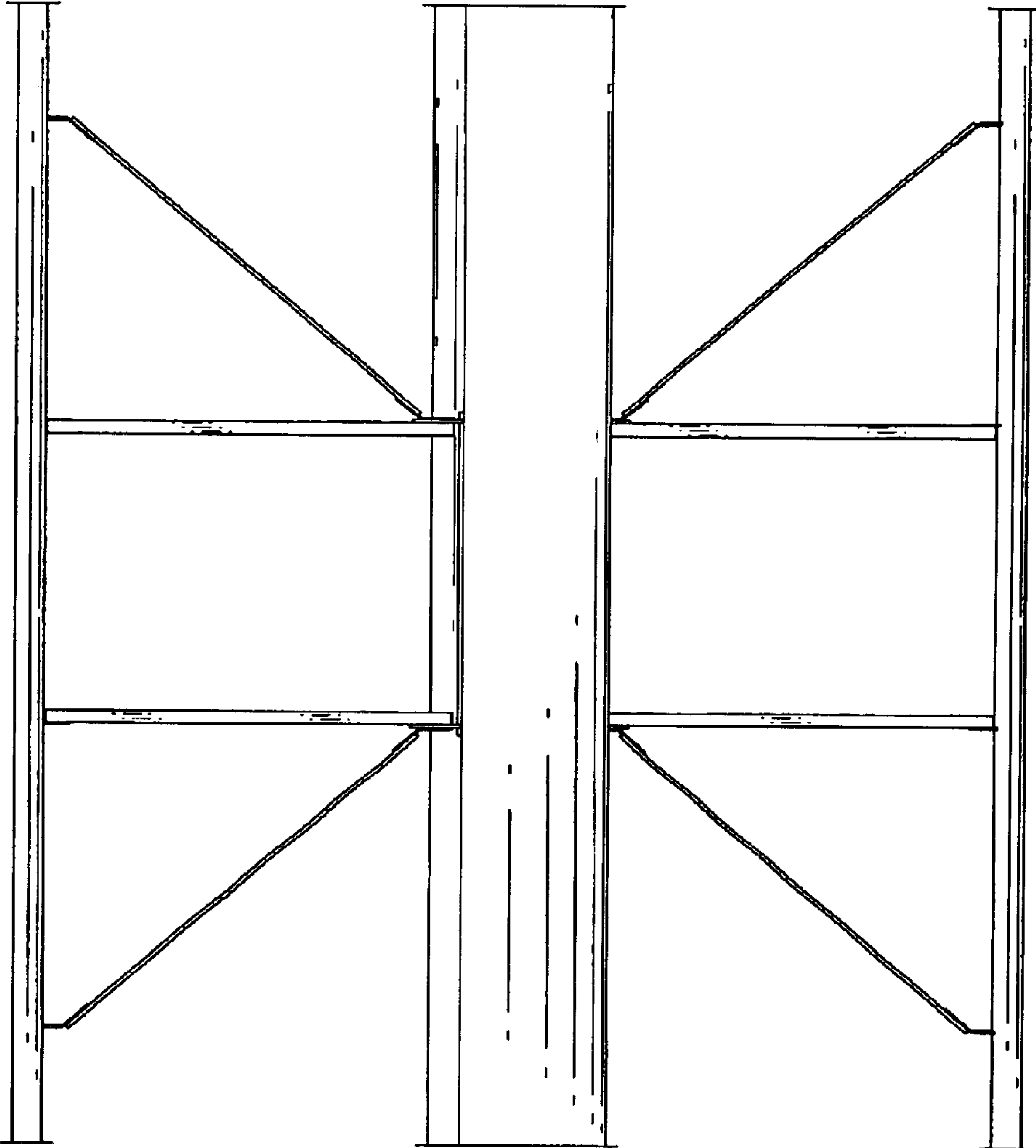


FIG. 3

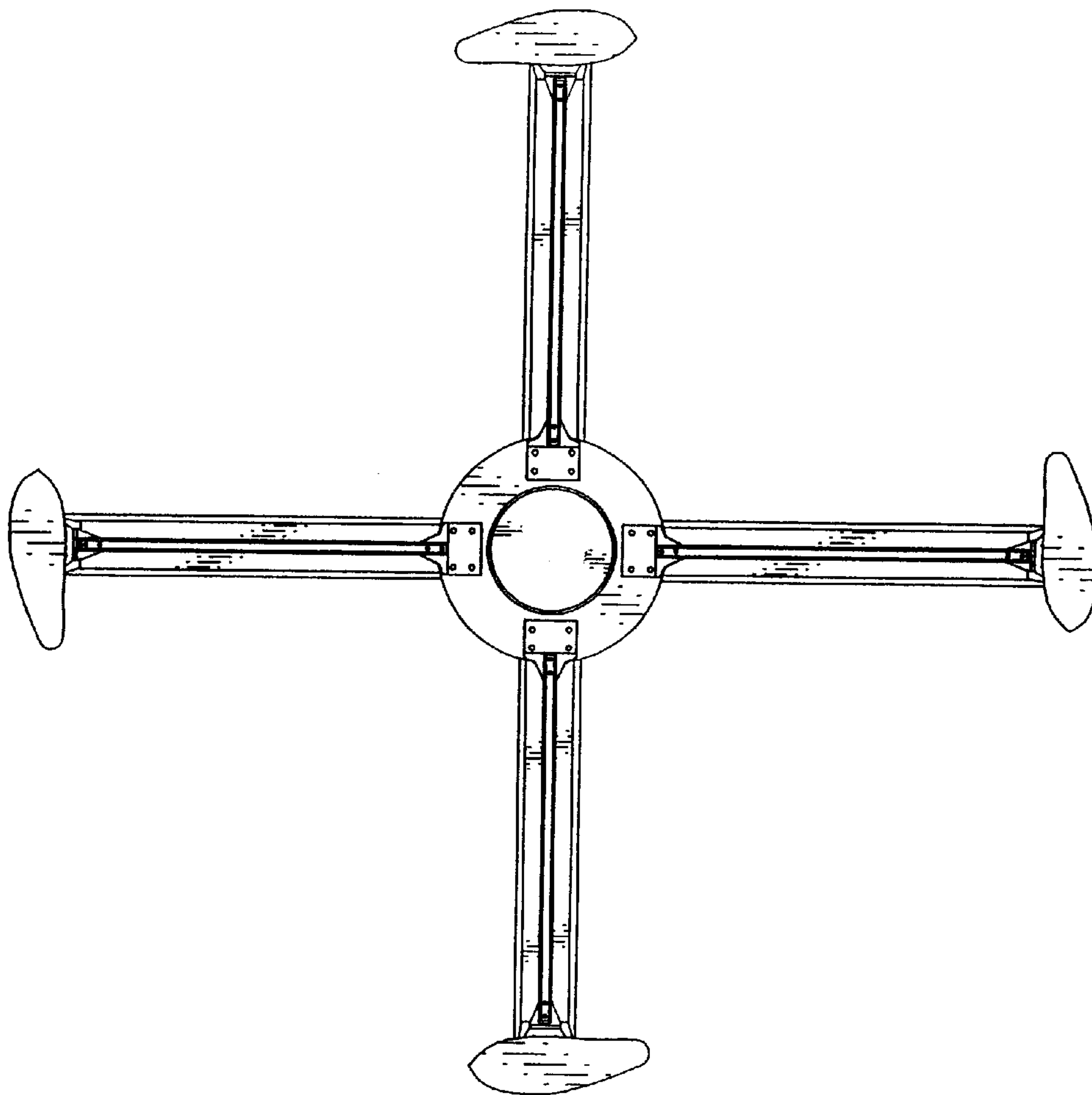


FIG. 4

