

US00D508889S

(12) **United States Design Patent** (10) **Patent No.:** **US D508,889 S**
Cronce et al. (45) **Date of Patent:** **** Aug. 30, 2005**

- (54) **STANCHION (RS)**
- (75) Inventors: **Robert G. Cronce**, Port Huron, MI (US); **John E. Klinkman**, Riley Township, MI (US)
- (73) Assignee: **SportRack LLC**, Sterling Heights, MI (US)
- (**) Term: **14 Years**
- (21) Appl. No.: **29/217,983**
- (22) Filed: **Nov. 24, 2004**

- D309,126 S * 7/1990 Carr D12/414
- D321,496 S * 11/1991 Sparham et al. D12/414
- D396,029 S * 7/1998 Cucheran et al. D12/414
- D417,186 S * 11/1999 Egly D12/414
- D422,554 S * 4/2000 Stapleton et al. D12/414

* cited by examiner

Primary Examiner—Alan P. Douglas
Assistant Examiner—Susan M Lee
(74) *Attorney, Agent, or Firm*—Rader, Fishman & Grauer PLLC

(57) **CLAIM**

The ornamental design for stanchion (RS), as shown and described.

Related U.S. Application Data

- (62) Division of application No. 29/201,942, filed on Mar. 23, 2004.
- (51) **LOC (8) Cl.** **12-16**
- (52) **U.S. Cl.** **D12/414; D8/382**
- (58) **Field of Search** D12/406, 412, D12/414; D14/240, 217, 229, 224; D6/495, 455, 449; D8/363, 382; 224/309–310, 323–329

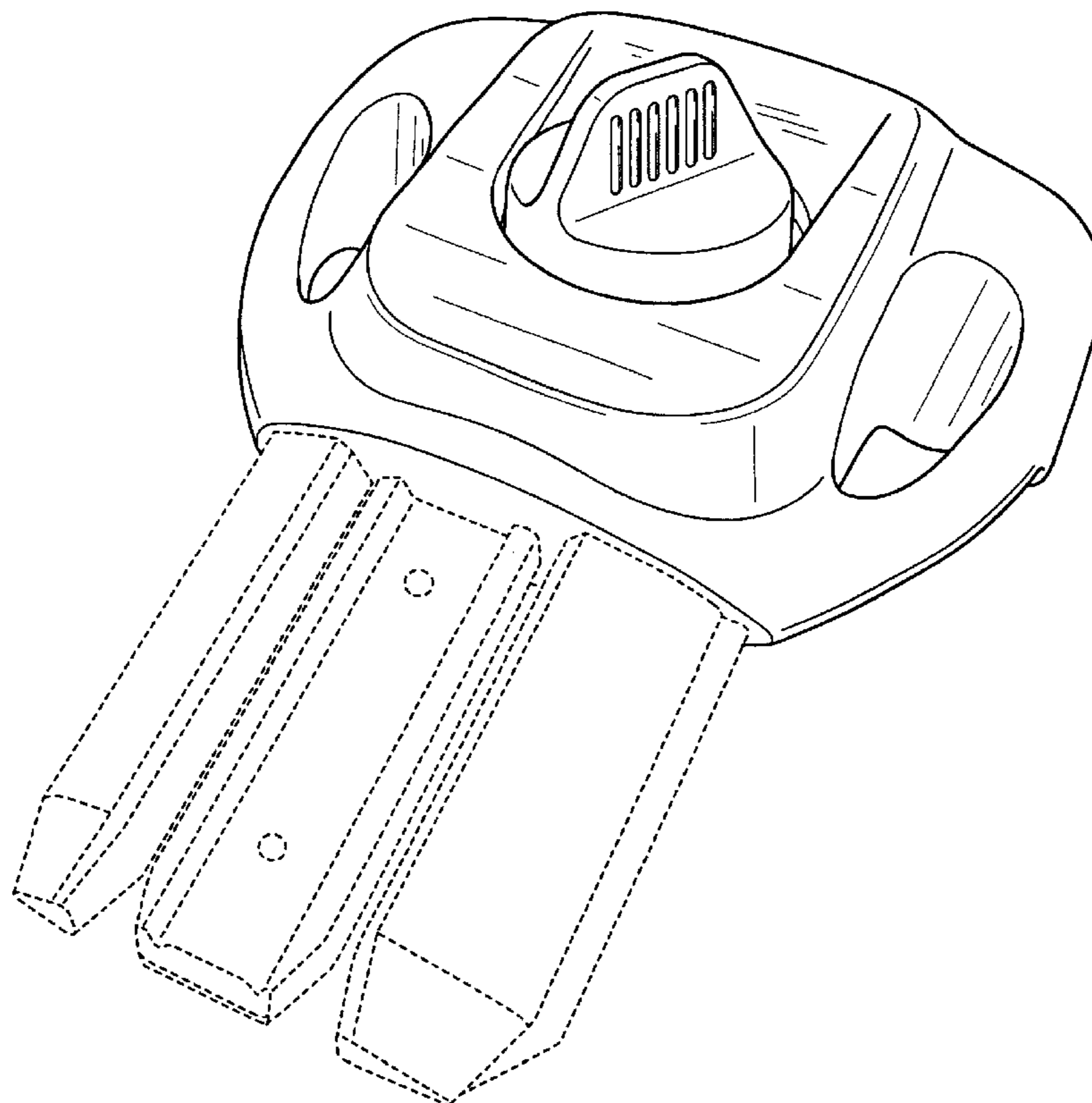
DESCRIPTION

FIG. 1 is a perspective view of the stanchion of the present invention;
FIG. 2 is a front elevational view thereof;
FIG. 3 is a rear elevational view thereof;
FIG. 4 is a right side elevational view thereof;
FIG. 5 is a left side elevational view thereof;
FIG. 6 is a top plan view thereof; and,
FIG. 7 is a bottom view thereof.
The broken line areas shown in the drawings are for illustrative purposes only and form no part of the claimed design.

(56) **References Cited**
U.S. PATENT DOCUMENTS

- D258,280 S * 2/1981 Mareydt D8/382
- D267,247 S * 12/1982 Kowalski et al. D12/414

1 Claim, 5 Drawing Sheets



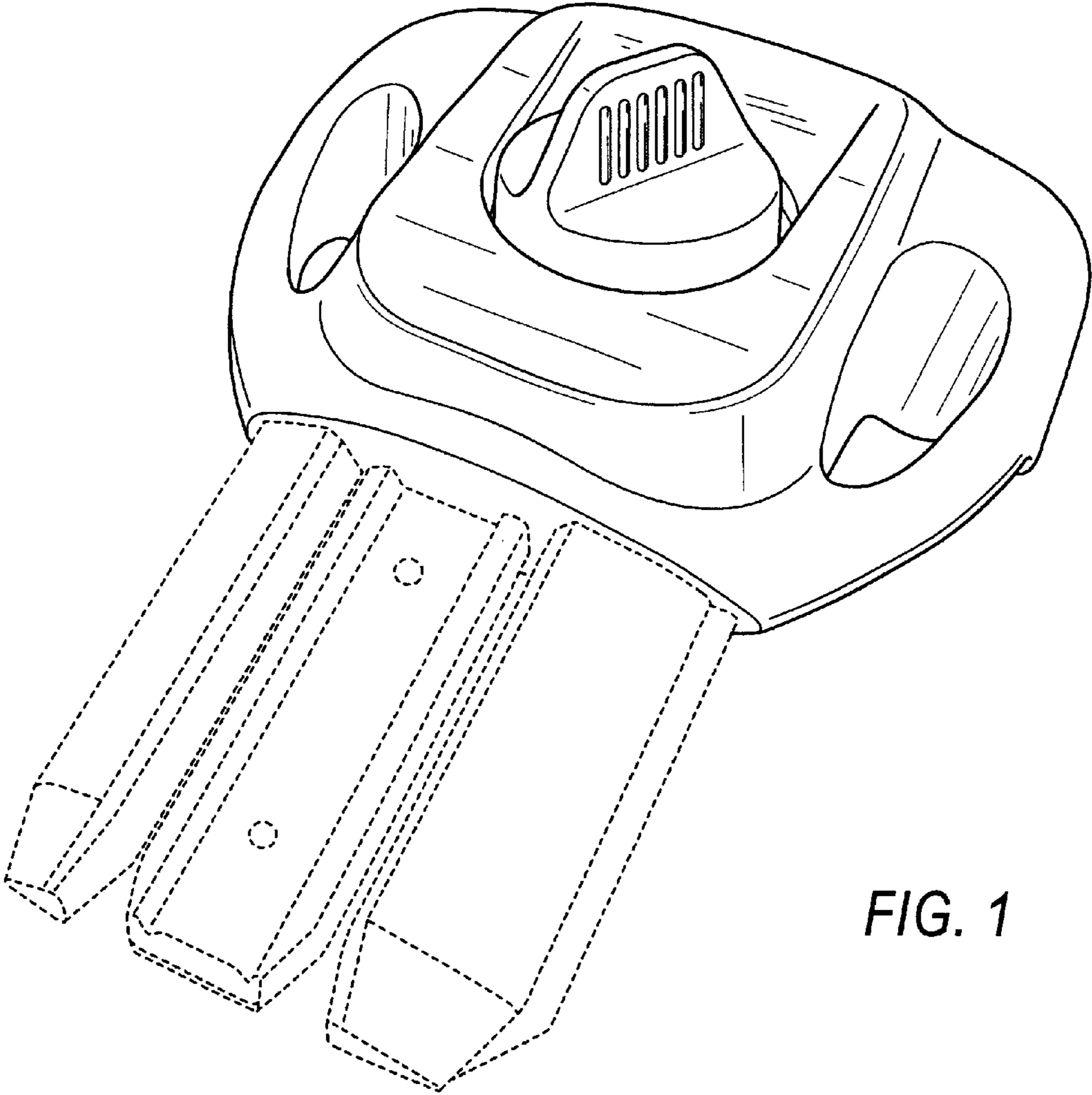


FIG. 1

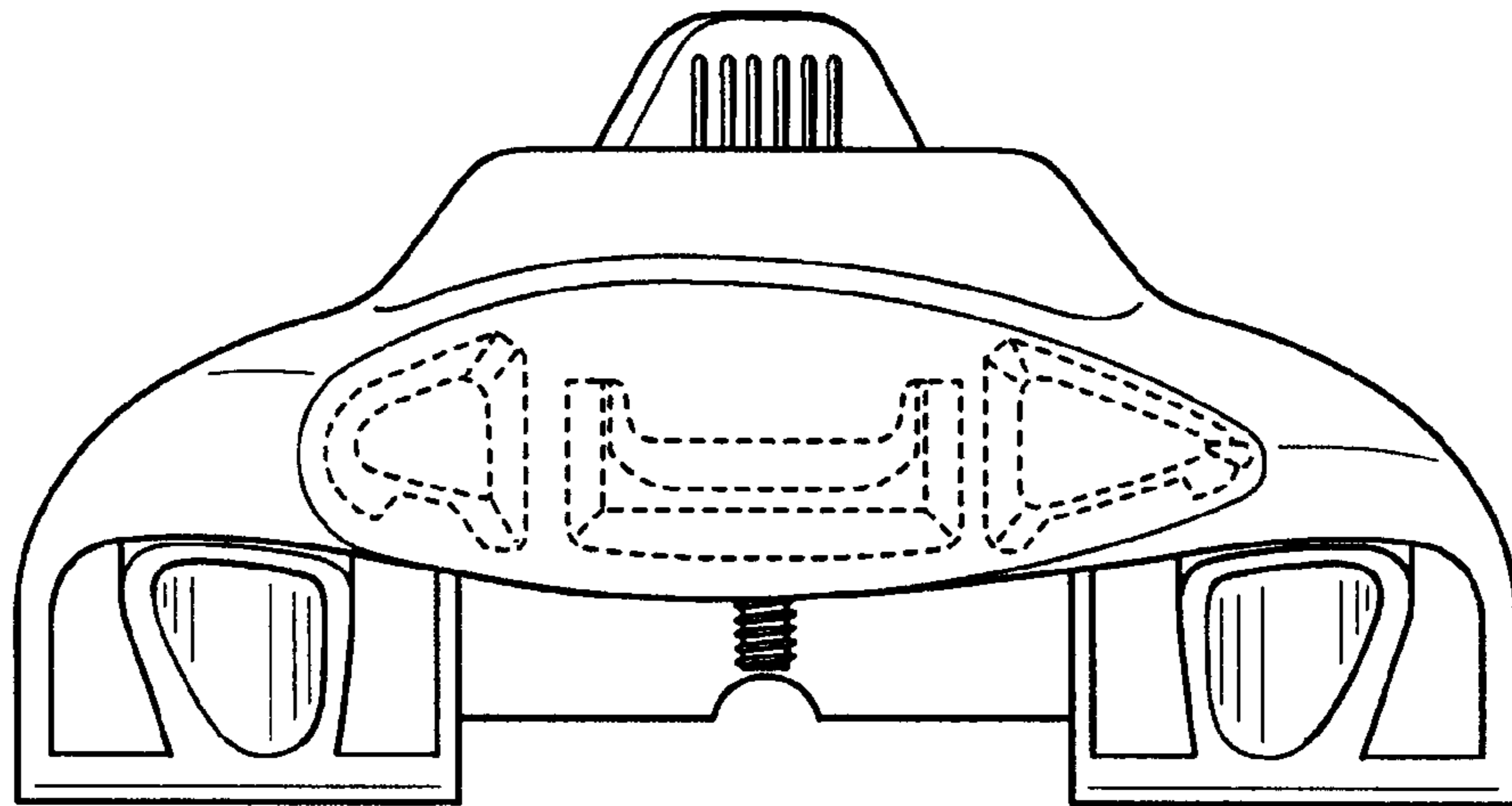


FIG. 2

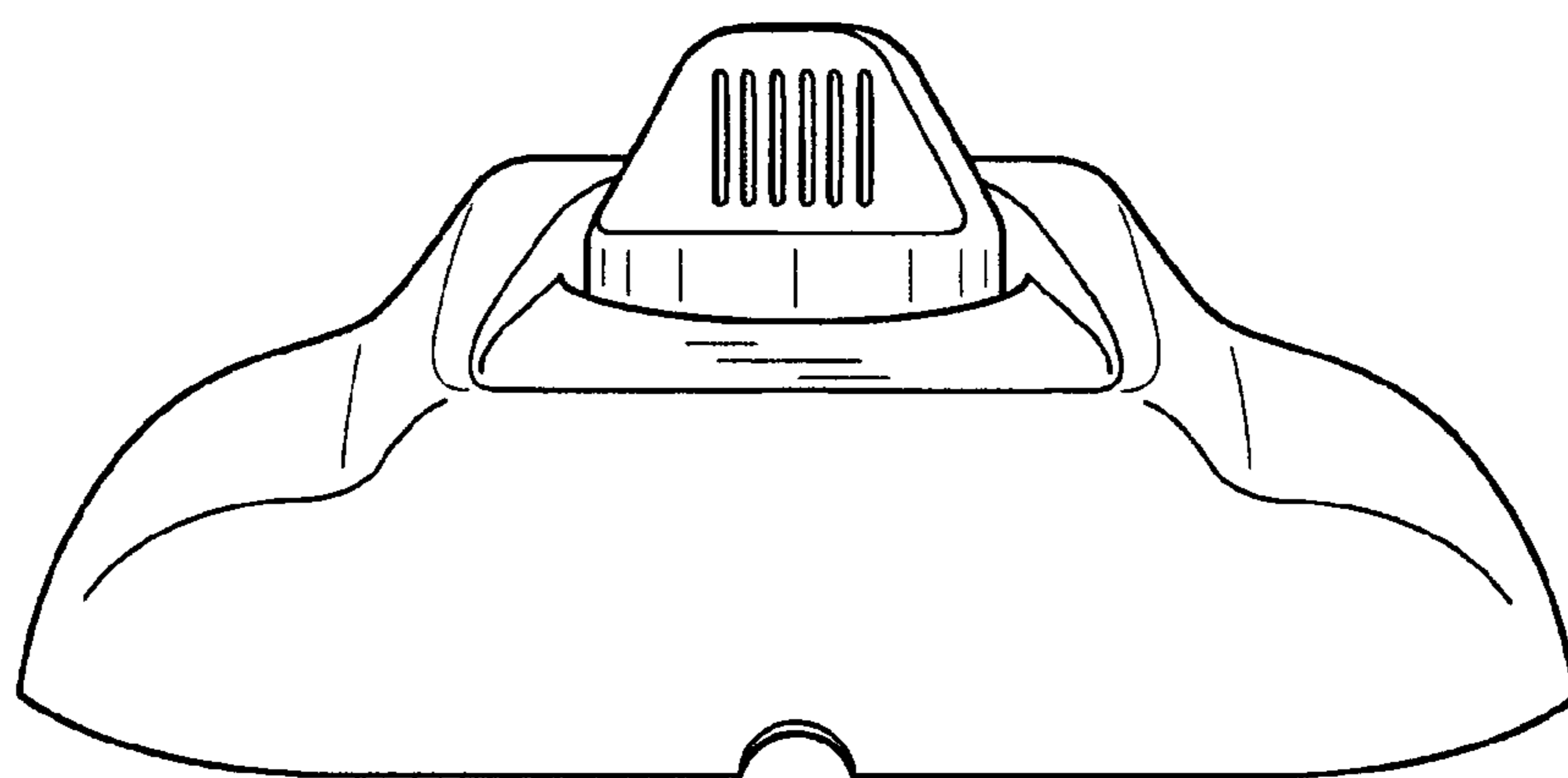


FIG. 3

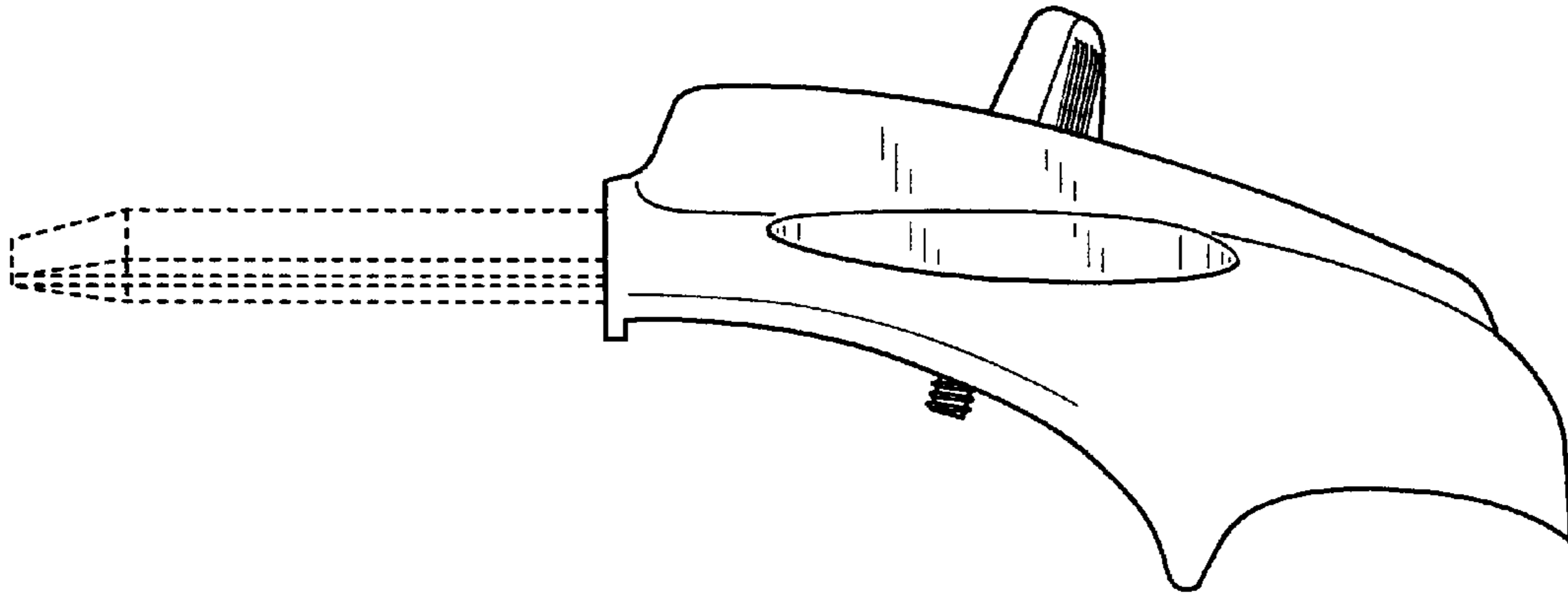


FIG. 4

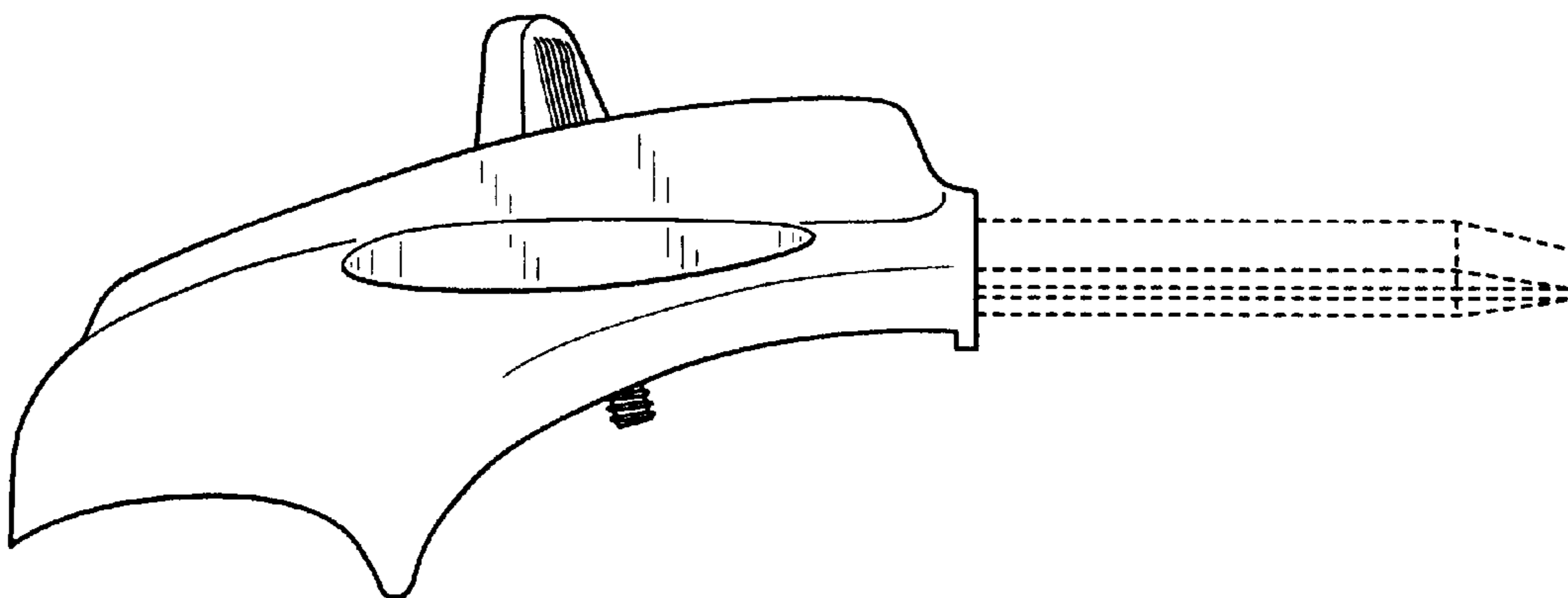


FIG. 5

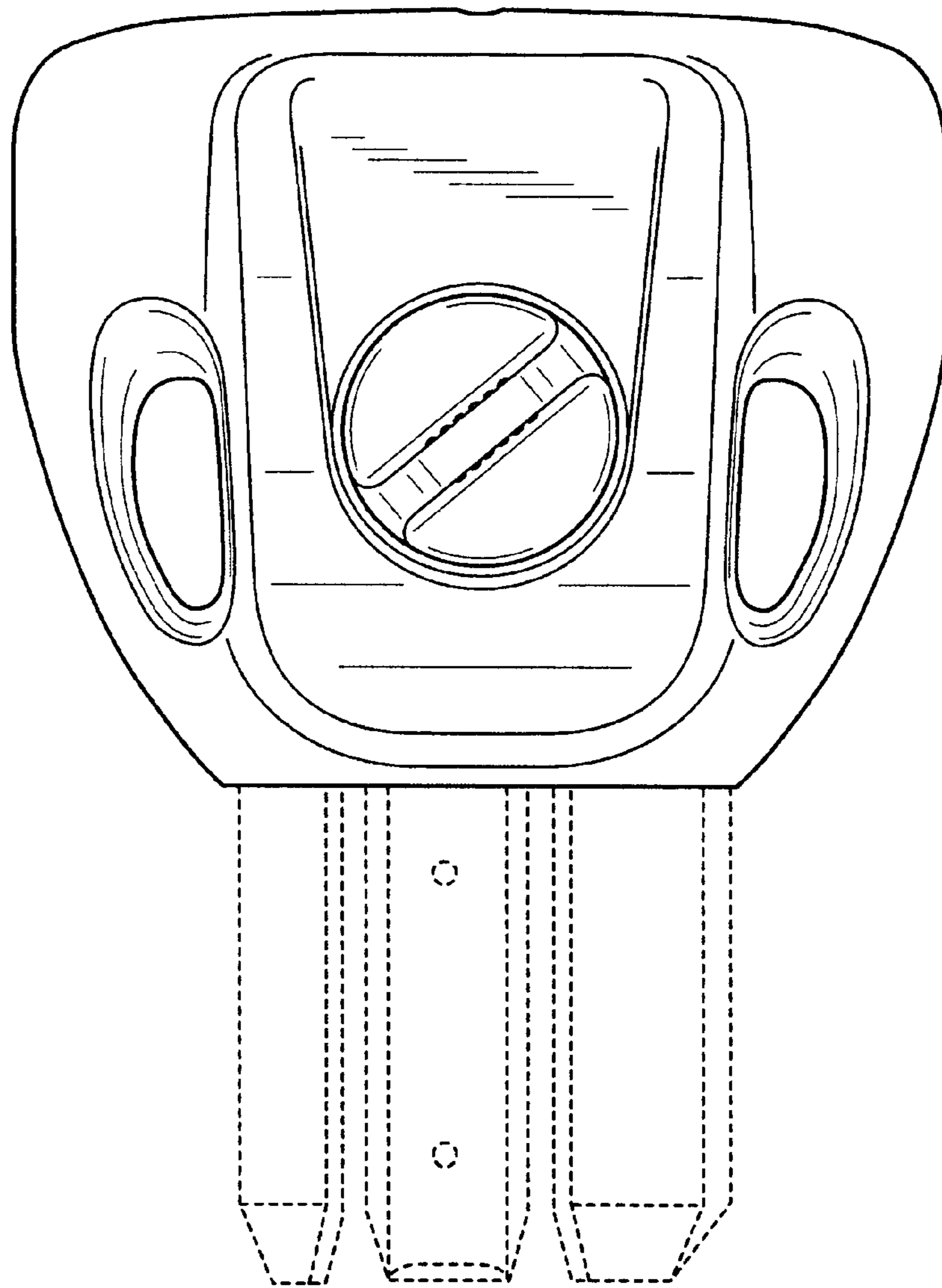


FIG. 6

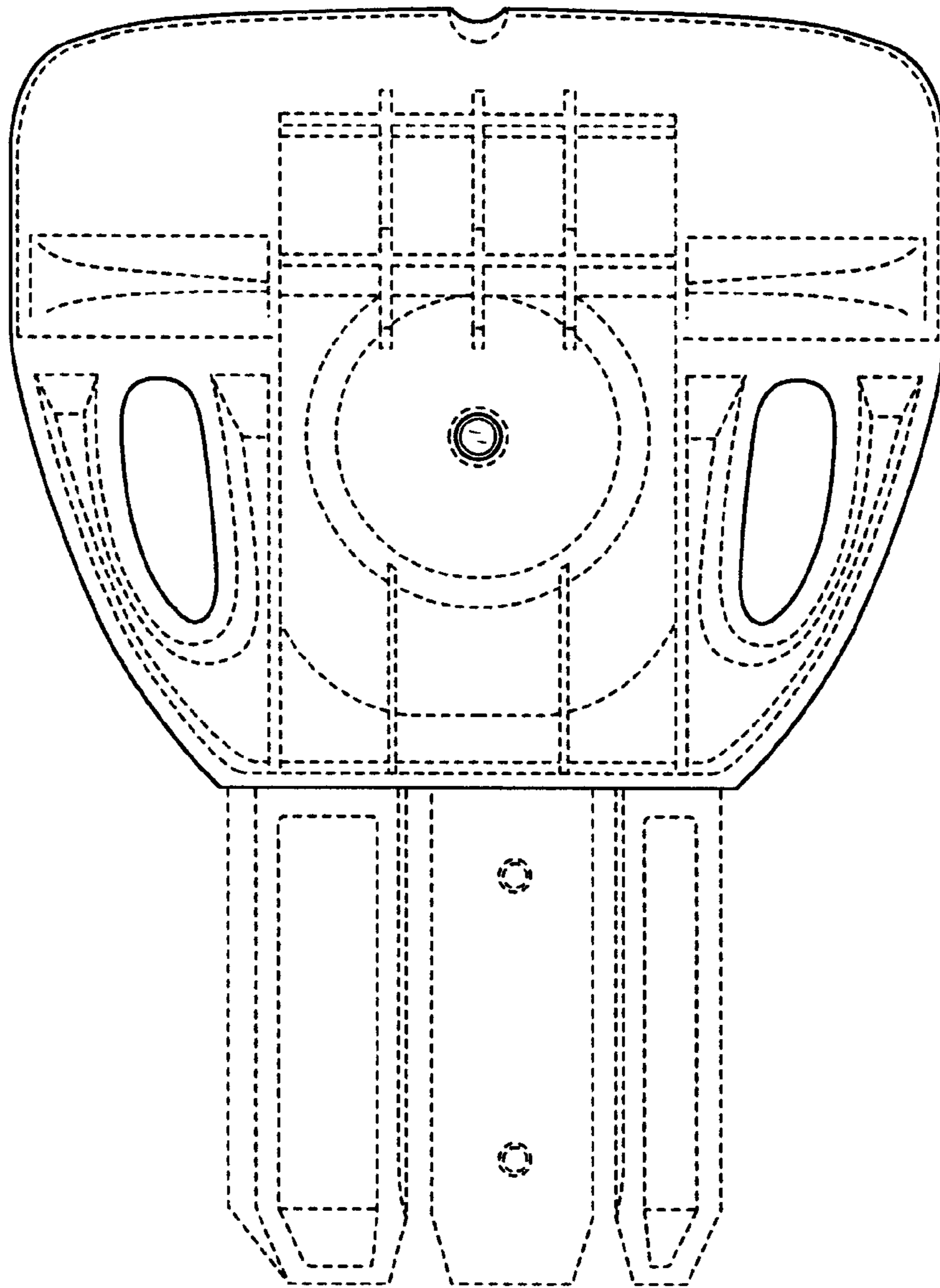


FIG. 7