

US00D508887S

(12) **United States Design Patent**  
**Toy**

(10) **Patent No.:** **US D508,887 S**

(45) **Date of Patent:** **\*\* Aug. 30, 2005**

(54) **MOTORCYCLE GAS TANK**

(57) **CLAIM**

(76) **Inventor:** **James A. Toy**, 4443 Henry Drinker Rd.,  
Moscow, PA (US) 18444

The ornamental design for a motorcycle gas tank, as shown  
and described.

(\*\*) **Term:** **14 Years**

**DESCRIPTION**

(21) **Appl. No.:** **29/207,313**

FIG. 1 is a perspective view of the motorcycle gas tank  
showing the embodiment of the invention;

(22) **Filed:** **Jul. 1, 2004**

FIG. 2 is a front perspective view of the embodiment of FIG.  
1;

(51) **LOC (8) Cl.** ..... **12-06**

FIG. 3 is a rear view of the embodiment of FIG. 1;

(52) **U.S. Cl.** ..... **D12/218**

FIG. 4 is a left side perspective view comprising the  
embodiment of FIG. 1;

(58) **Field of Search** ..... **D12/110, 218;**  
**180/219; 280/833, 835**

FIG. 5 is a right side perspective view of the embodiment of  
FIG. 1;

(56) **References Cited**

FIG. 6 is a top perspective view of the embodiment of FIG.  
1 with the front face of the gas tank exposing the interior of  
the tank; and,

**U.S. PATENT DOCUMENTS**

FIG. 7 is a bottom view of the embodiment of FIG. 1.

D238,940 S \* 2/1976 Graeper ..... D12/218

The broken lines immediately adjacent the shaded areas  
represent the boundaries of the claimed design while all  
other broken lines are directed to environment and are for  
illustrative purposes only; the broken lines form no part of  
the claimed design.

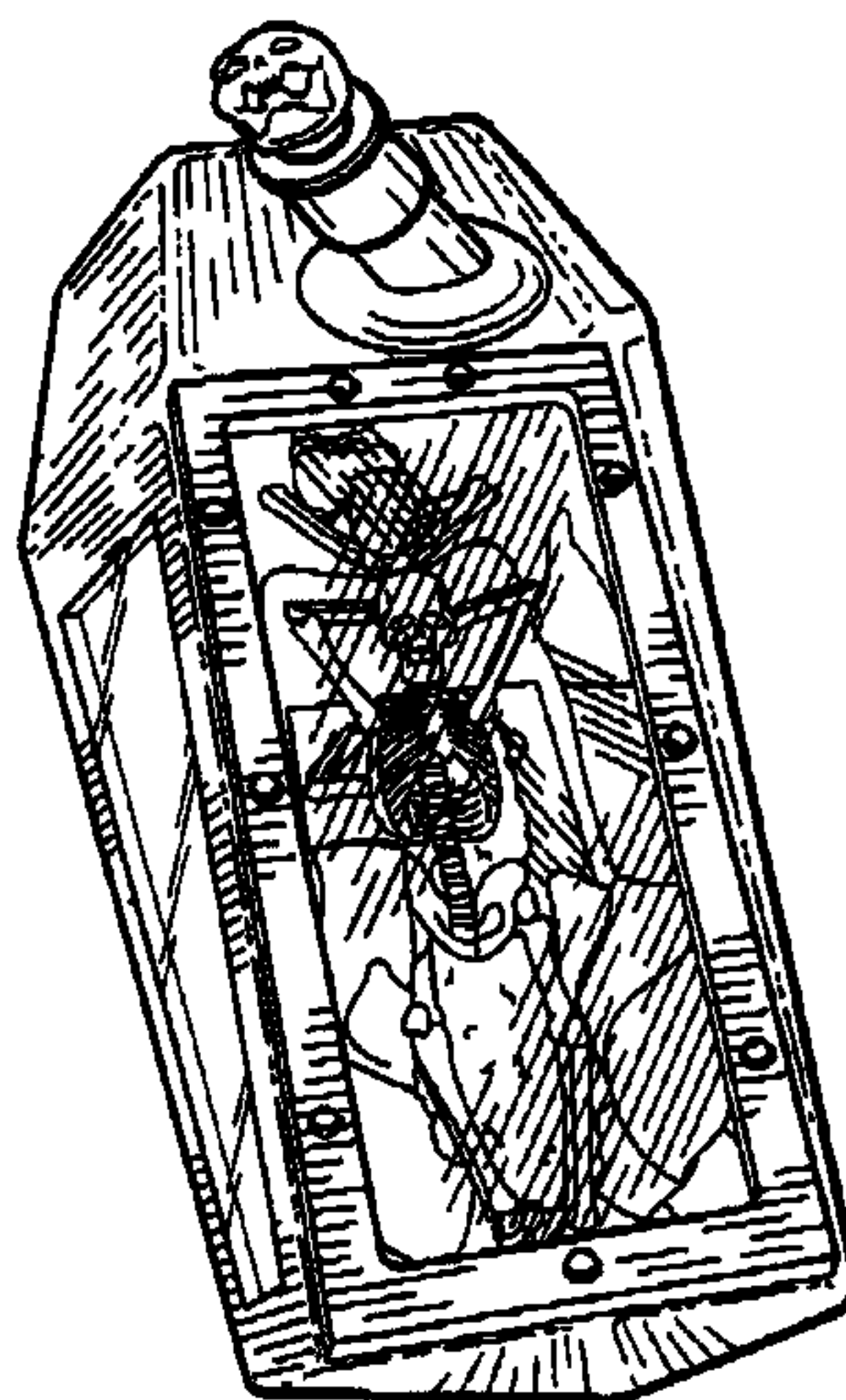
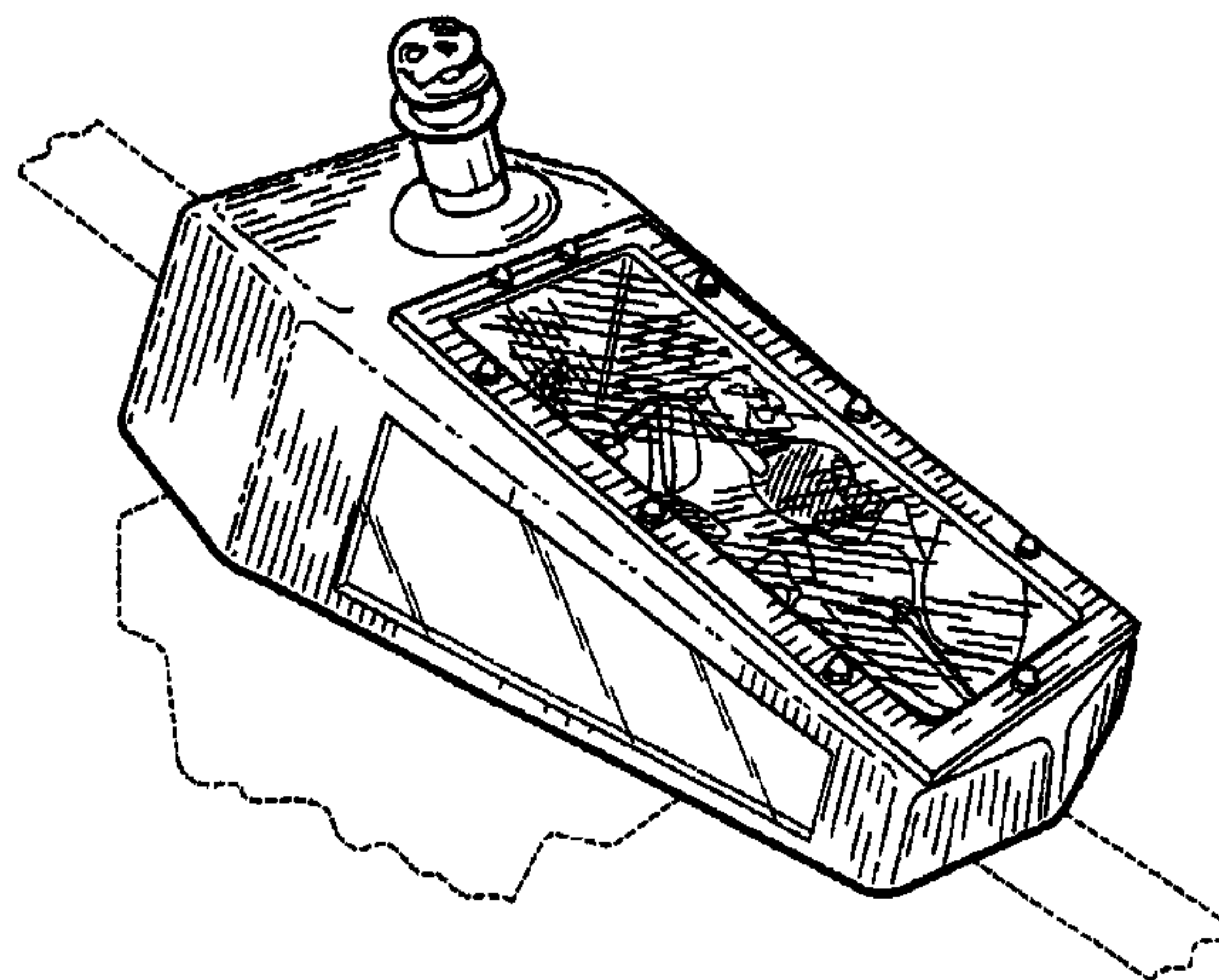
\* cited by examiner

*Primary Examiner*—Alan P. Douglas

*Assistant Examiner*—Linda Brooks

(74) *Attorney, Agent, or Firm*—Richard A. Joel, Esq.

**1 Claim, 3 Drawing Sheets**



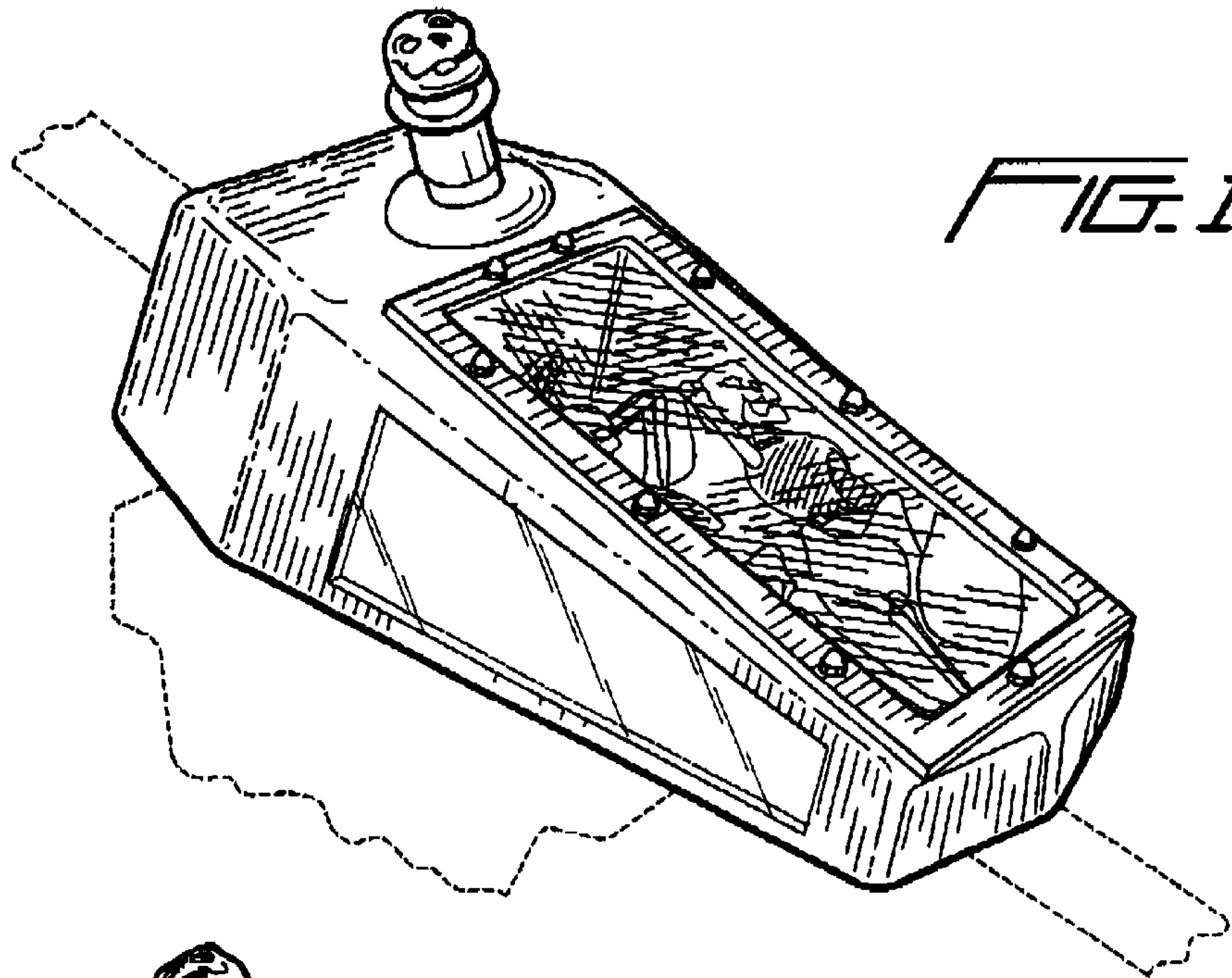


FIG. 1

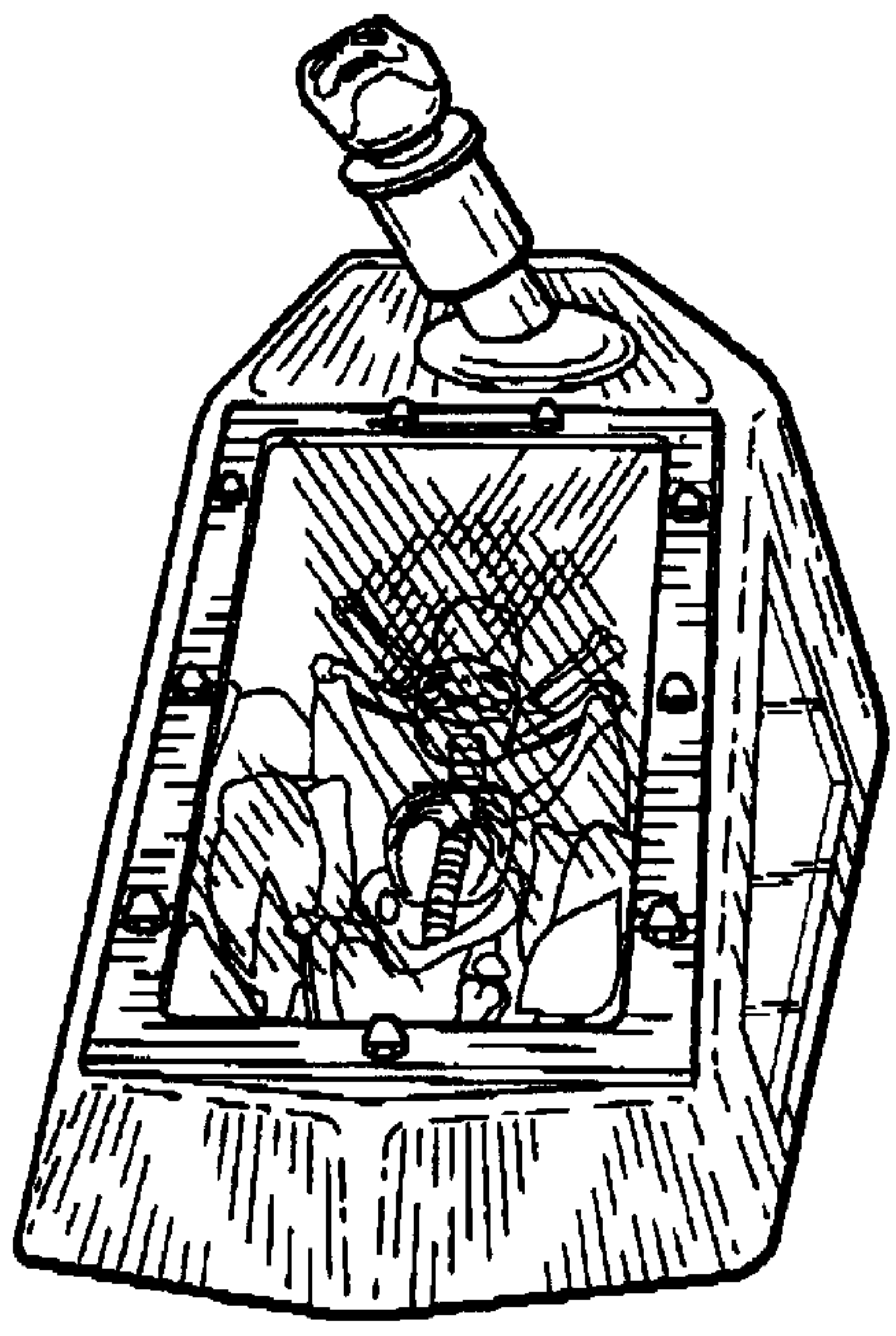


FIG. 2

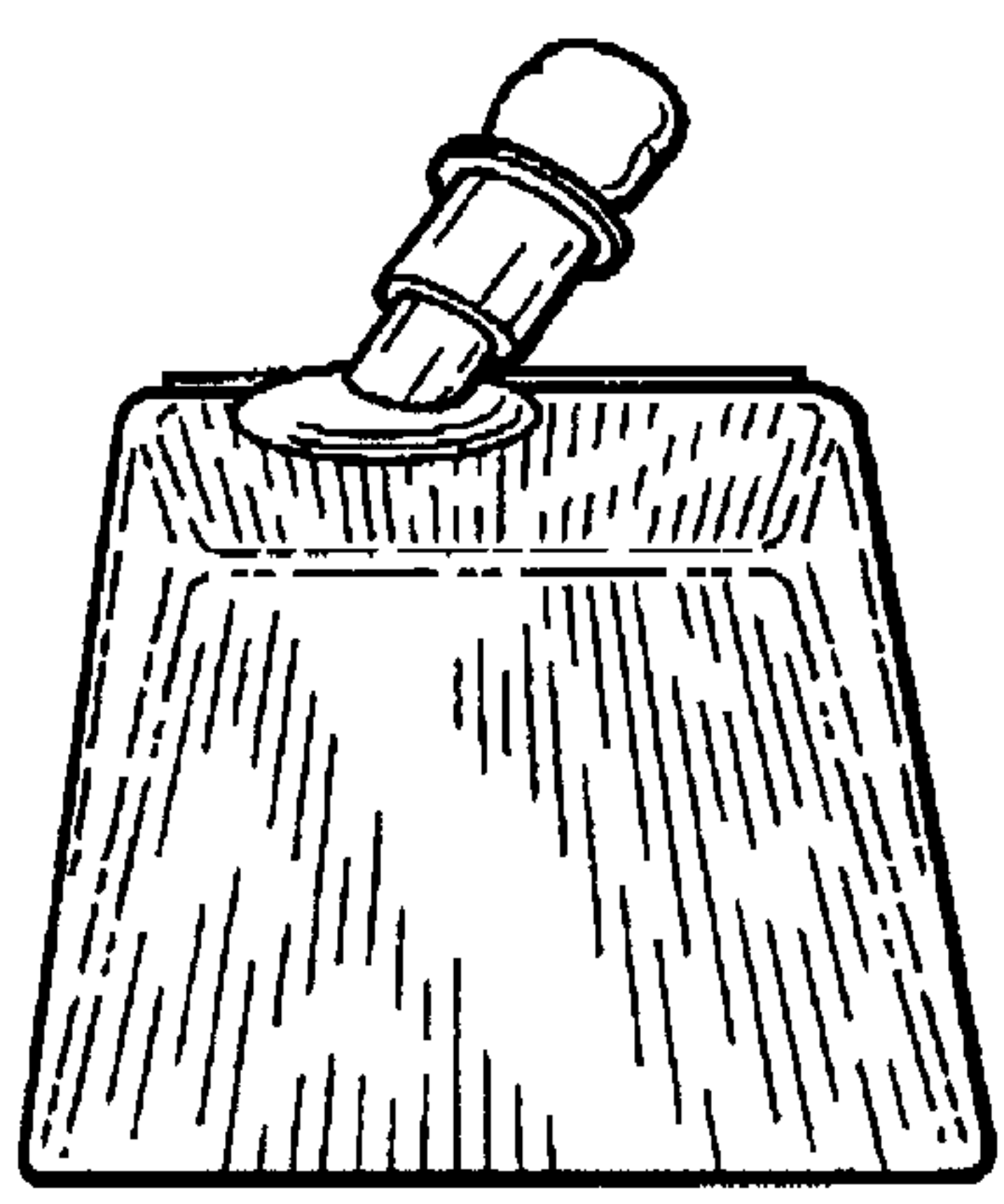


FIG. 3

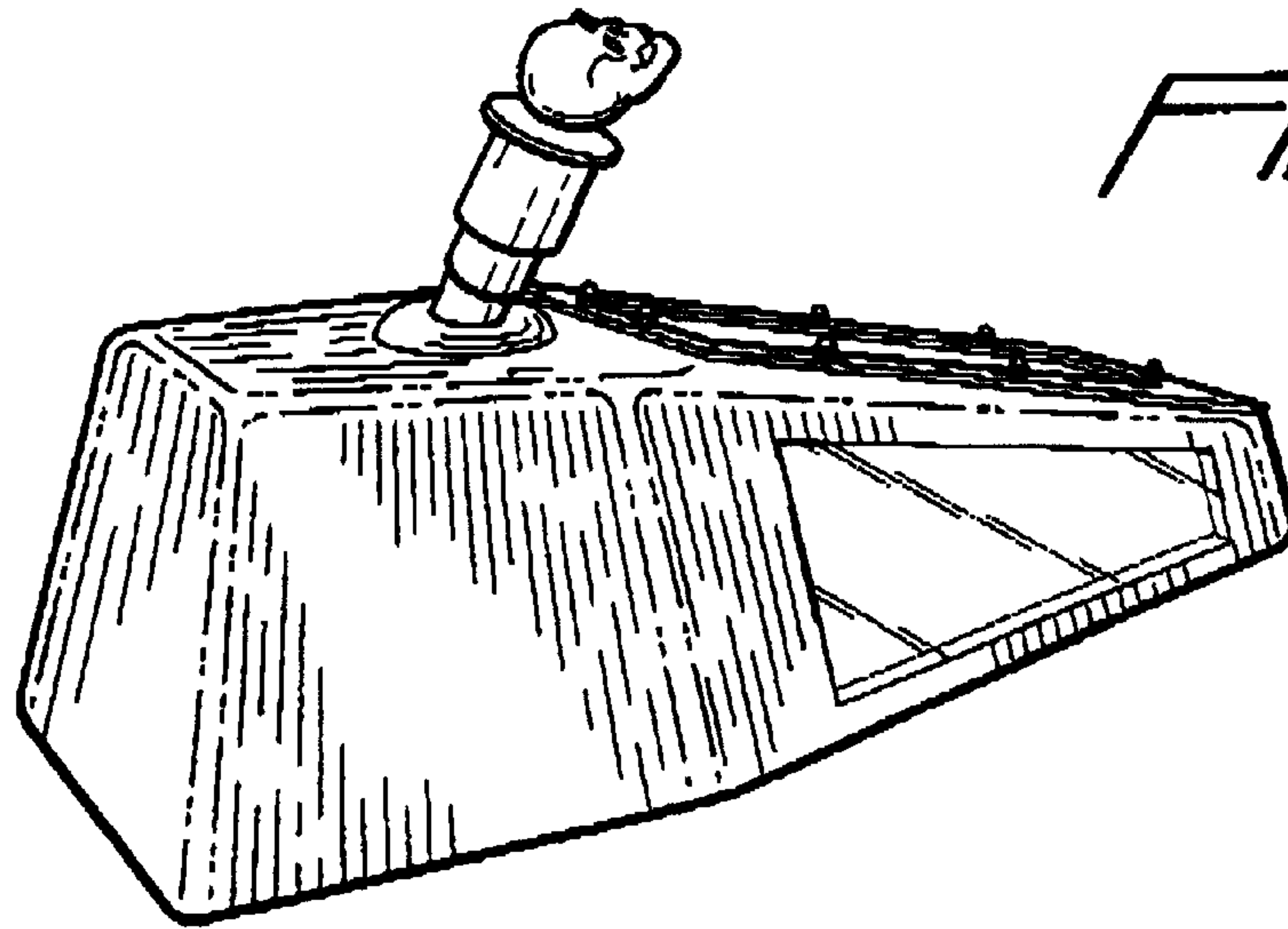


FIG. 4

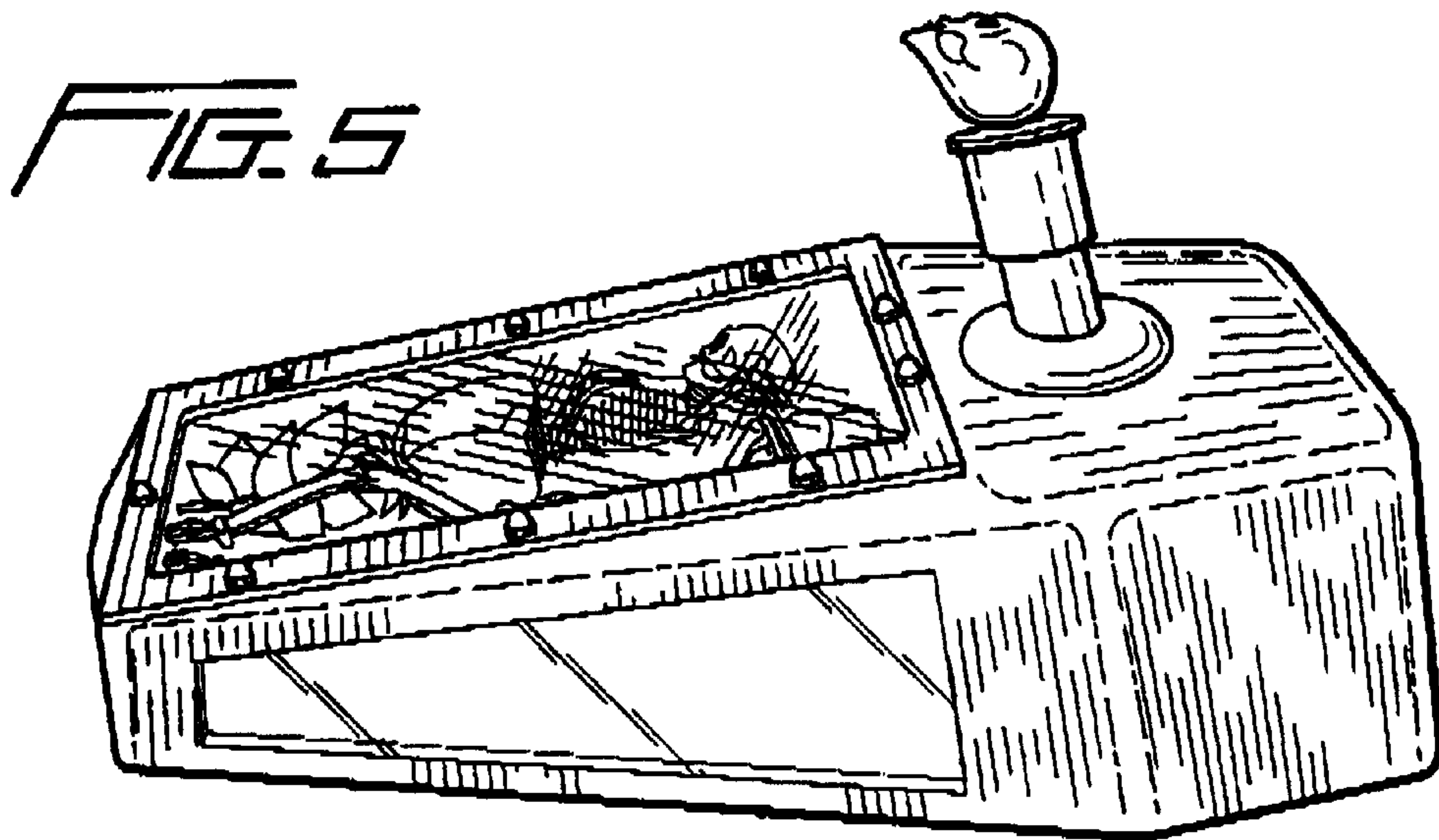


FIG. 5



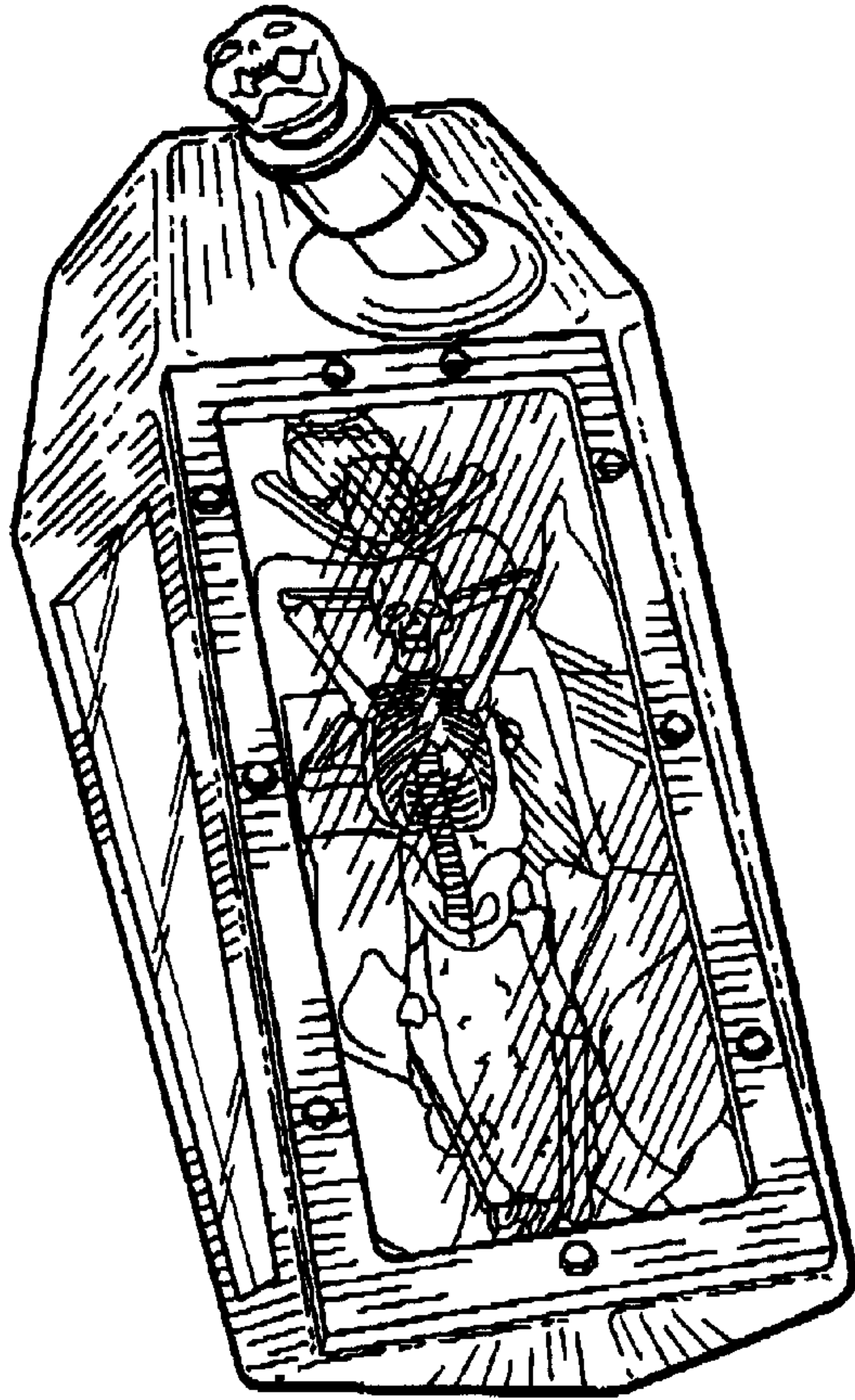


FIG. 6

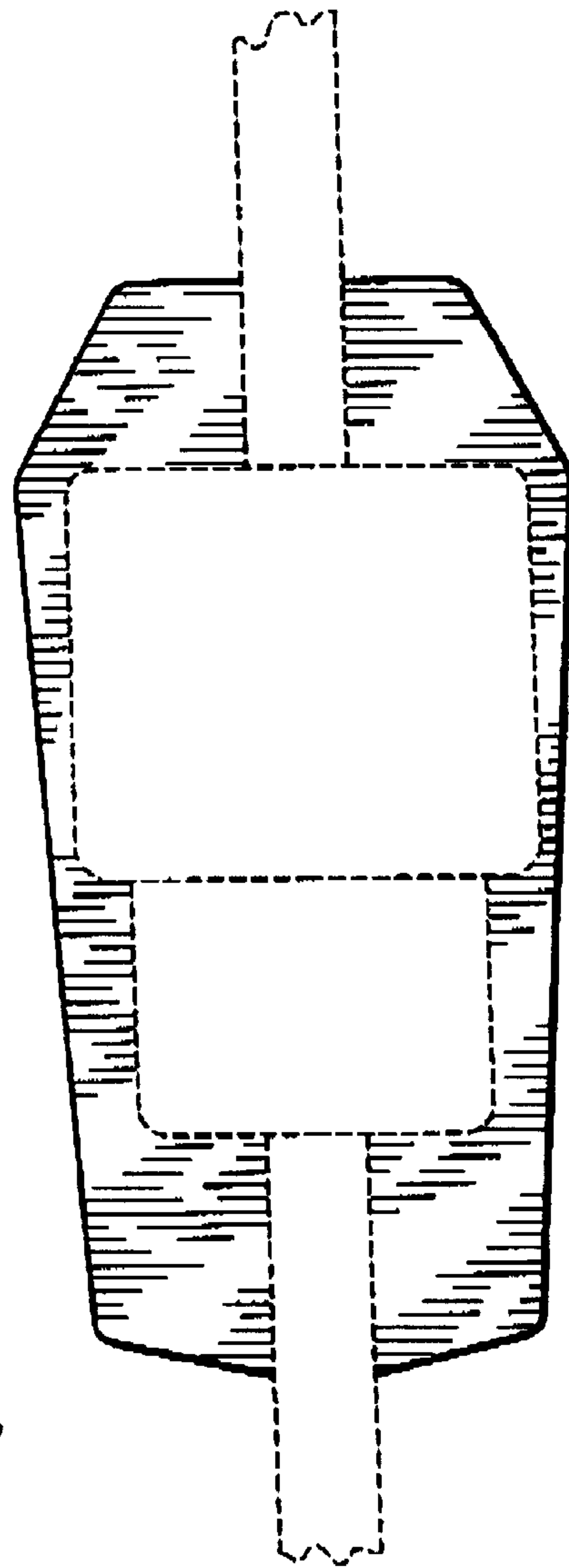


FIG. 7