

US00D508884S

(12) **United States Design Patent**
Fridie

(10) **Patent No.: US D508,884 S**

(45) **Date of Patent: ** Aug. 30, 2005**

(54) **VEHICLE WHEEL FRONT FACE**
(75) **Inventor: Ly John Terlandon Fridie**, Mount Laurel, NJ (US)
(73) **Assignee: FROG Wheels**, Mount Laurel, NJ (US)
(**) **Term: 14 Years**

D454,826 S * 3/2002 Kaucher D12/211
D458,205 S * 6/2002 McCowin D12/209
D460,396 S * 7/2002 Kember et al. D12/209
D466,854 S * 12/2002 Kern D12/211
D471,504 S * 3/2003 Laengerer D12/211
D476,610 S * 7/2003 Yun D12/209
D477,557 S * 7/2003 Iacovelli et al. D12/211
D485,524 S * 1/2004 Bhambra D12/209

* cited by examiner

Primary Examiner—Stacia Cadmus

(21) **Appl. No.: 29/219,026**
(22) **Filed: Dec. 13, 2004**
(51) **LOC (8) Cl. 12-16**
(52) **U.S. Cl. D12/209**
(58) **Field of Search D12/204-213;**
301/37.101, 64.101, 65

(57) **CLAIM**

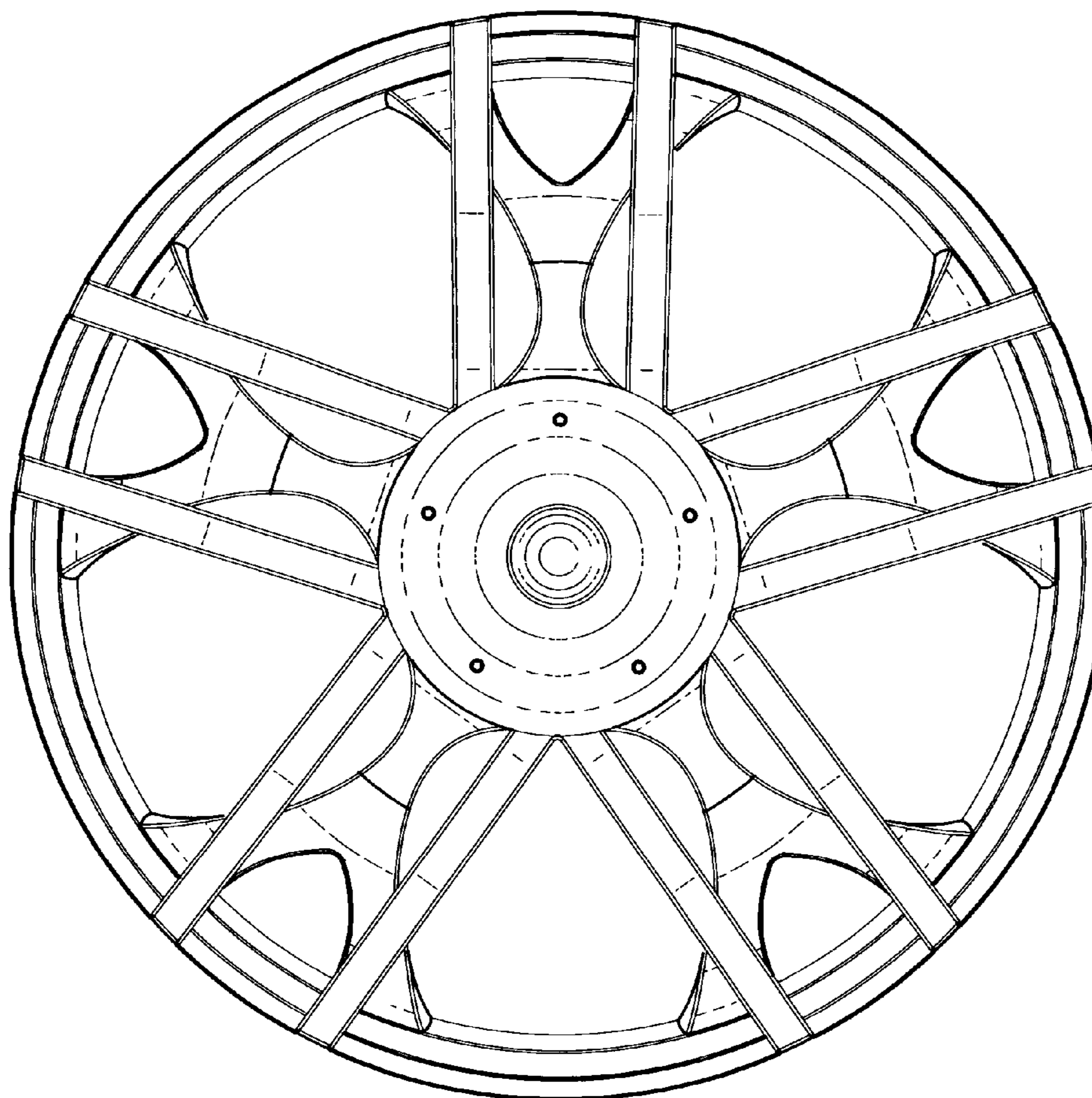
The ornamental design for a vehicle wheel front face, as shown and described.

DESCRIPTION

FIG. 1 is a perspective view a vehicle wheel front face showing my new design; and, FIG. 2 is a front view thereof. The broken line showing of environment is for illustrative purposes only and forms no part of the claimed design.

(56) **References Cited**
U.S. PATENT DOCUMENTS
D432,071 S * 10/2000 Brown D12/211
D447,107 S * 8/2001 Kuribayashi D12/211
D451,461 S * 12/2001 Arellano D12/209
D451,874 S * 12/2001 Donikoglu D12/209

1 Claim, 2 Drawing Sheets



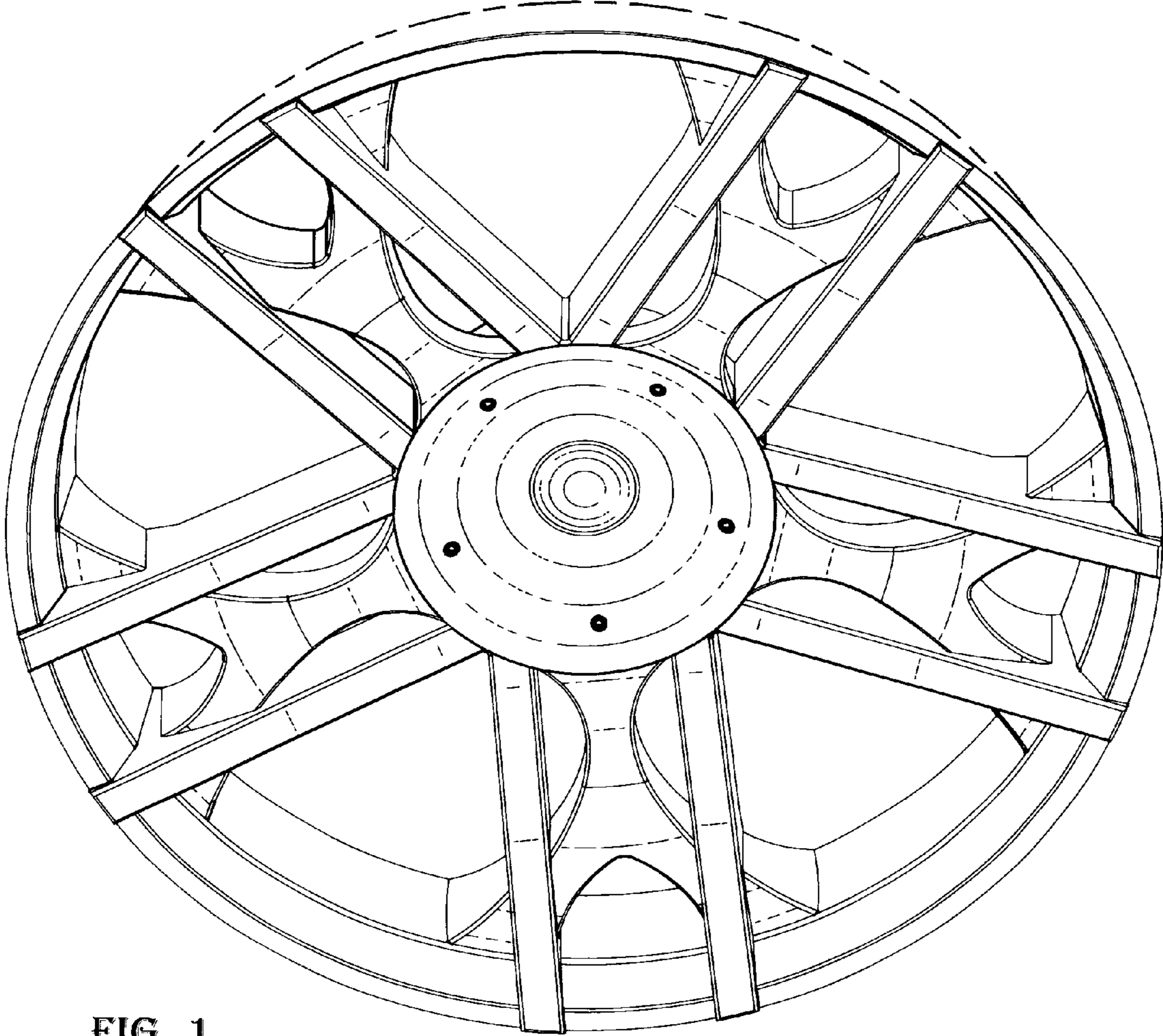


FIG. 1

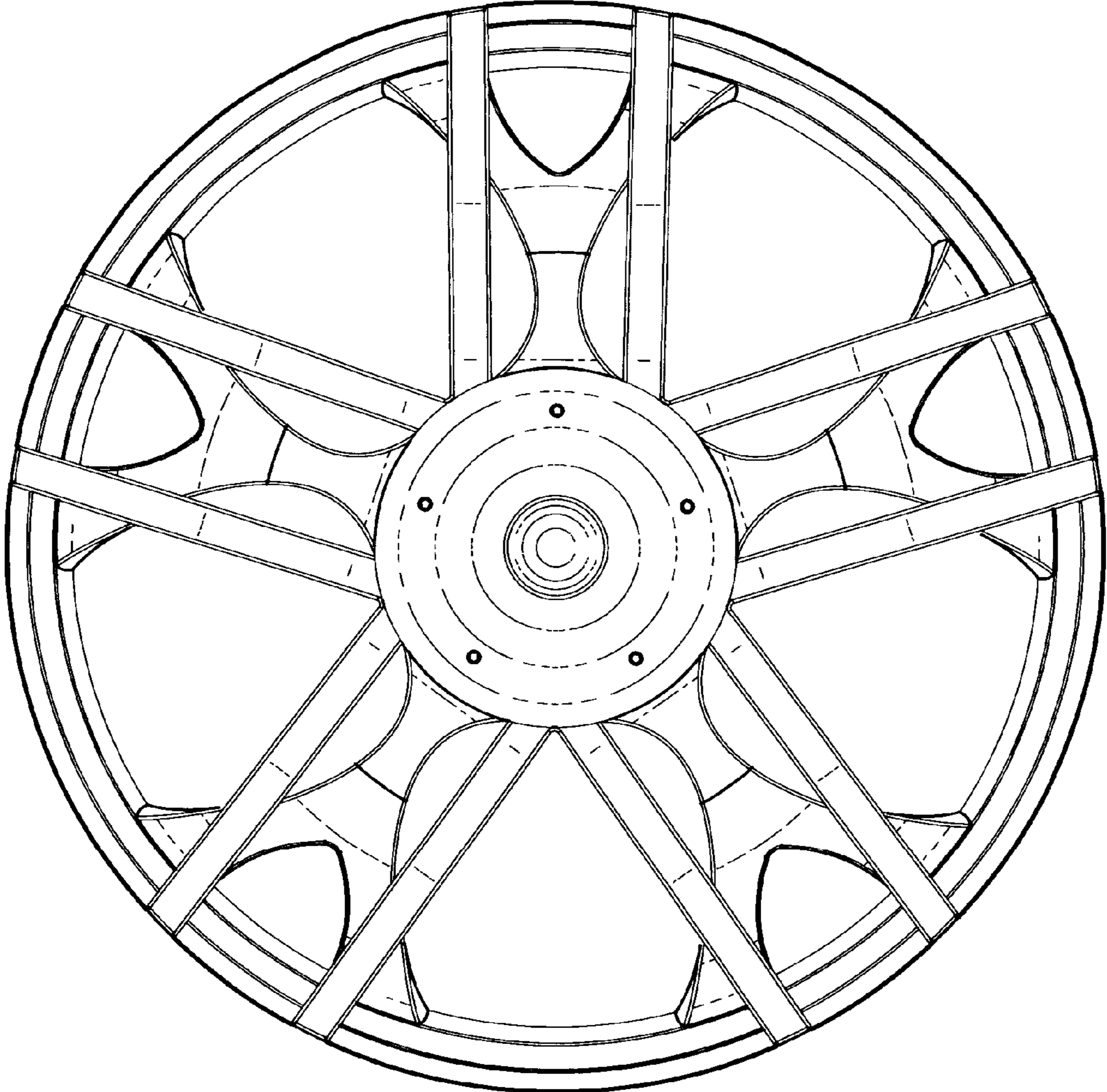


FIG. 2