

US00D508880S

(12) **United States Design Patent**
Minami

(10) **Patent No.:** **US D508,880 S**

(45) **Date of Patent:** **** Aug. 30, 2005**

(54) **REAR BUMPER FOR AN AUTOMOBILE**

(75) **Inventor:** **Toshinobu Minami, Saitama (JP)**

(73) **Assignee:** **Honda Motor Co., Ltd., Tokyo (JP)**

(**) **Term:** **14 Years**

(21) **Appl. No.:** **29/213,760**

(22) **Filed:** **Sep. 23, 2004**

(30) **Foreign Application Priority Data**

Mar. 29, 2004 (JP) 2004-009449

(51) **LOC (8) Cl.** **12-16**

(52) **U.S. Cl.** **D12/169**

(58) **Field of Search** D12/90-92, 86,
D12/169, 196, 171; 296/180.1, 180.2; 293/102,
113, 115, 117, 120

(56) **References Cited**

U.S. PATENT DOCUMENTS

- D427,955 S * 7/2000 Sacco et al. D12/169
- D439,553 S * 3/2001 Sacco et al. D12/169
- D446,485 S * 8/2001 Shin D12/169
- D452,670 S * 1/2002 Ishii et al. D12/169
- D453,719 S * 2/2002 Sacco et al. D12/169

- D461,149 S * 8/2002 Sinkwitz D12/169
- D476,928 S * 7/2003 Boyer D12/169
- D495,630 S * 9/2004 Pfeiffer et al. D12/169
- D500,716 S * 1/2005 Hosoda et al. D12/169

FOREIGN PATENT DOCUMENTS

JP 1031823 11/1998

* cited by examiner

Primary Examiner—Melody N. Brown

(74) *Attorney, Agent, or Firm*—Westerman, Hattori,
Daniels & Adrian, LLP

(57) **CLAIM**

What is claimed is; the ornamental design for a, rear bumper for an automobile, as shown and described.

DESCRIPTION

FIG. 1 is a front elevation view of a rear bumper for an automobile, showing our new design;
FIG. 2 is a top plan view thereof;
FIG. 3 is a right side elevation view thereof;
FIG. 4 is a left side elevation view thereof; and,
FIG. 5 is a perspective view thereof.

The broken lines are shown for illustrative purposes only and form no part of the claimed design.

1 Claim, 4 Drawing Sheets

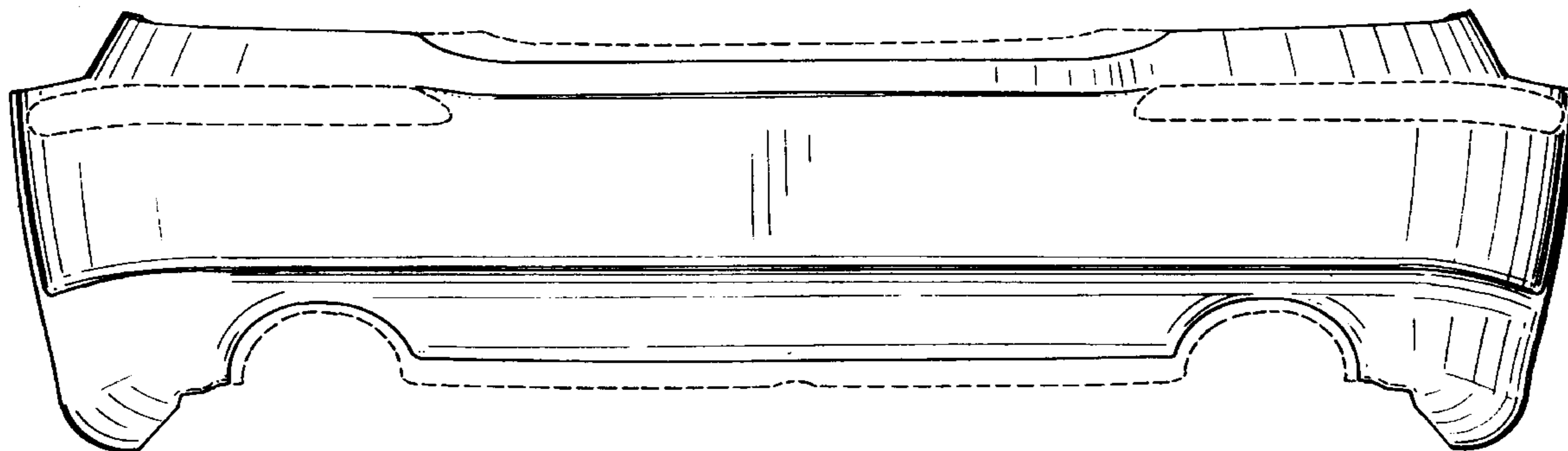


FIG. 1

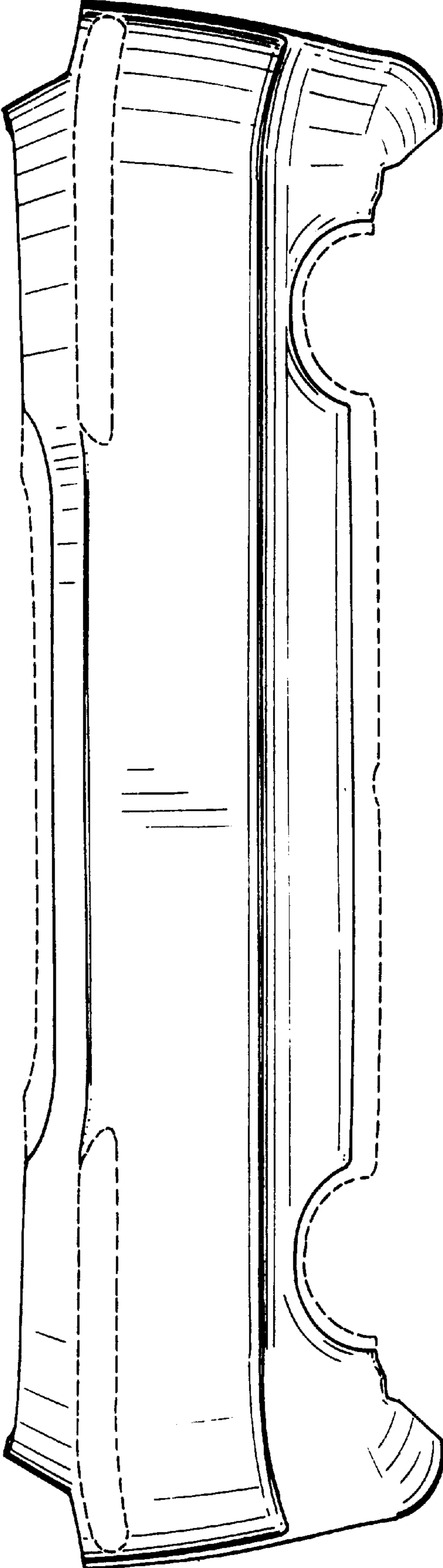


FIG. 2

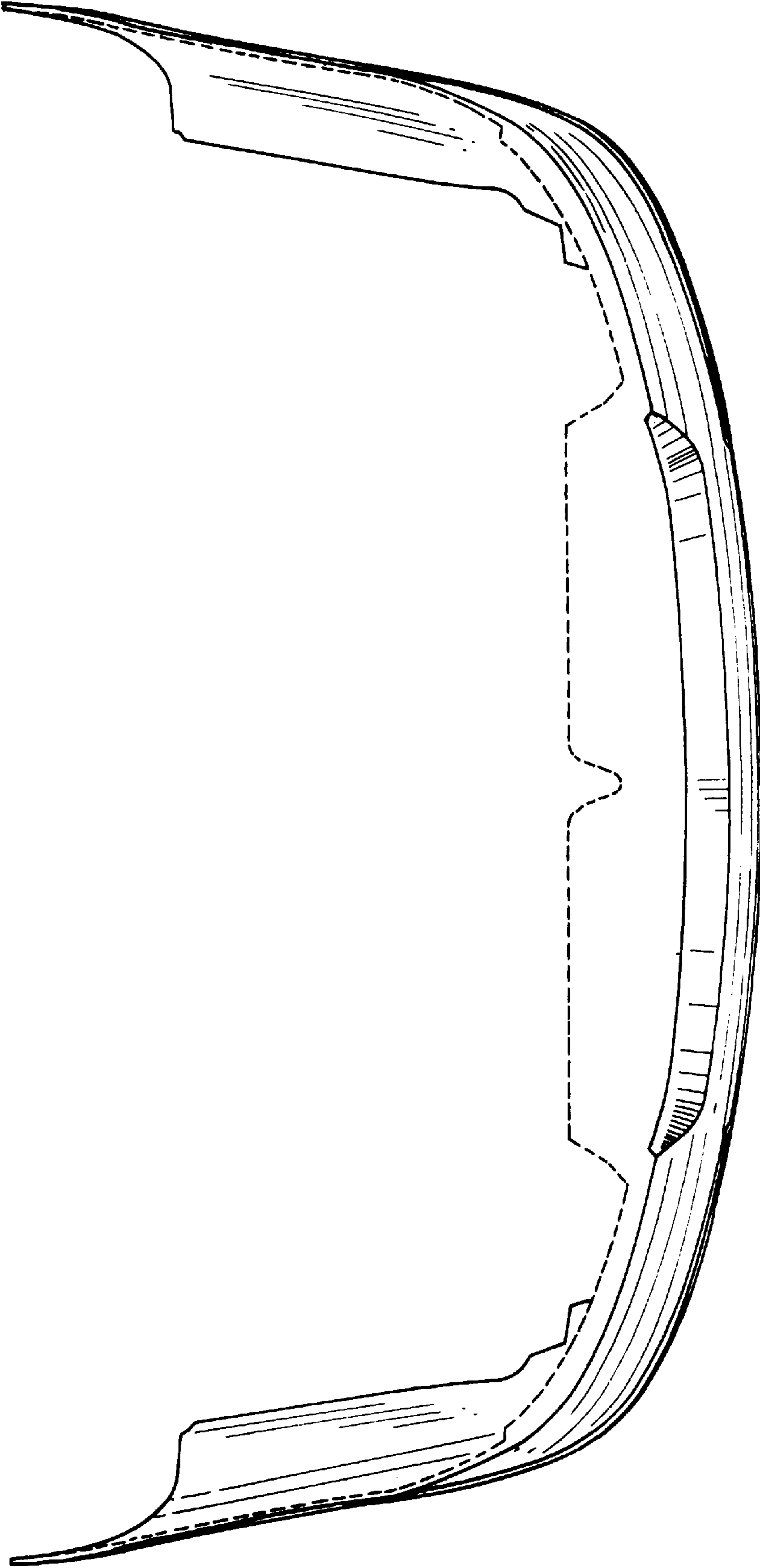


FIG. 3

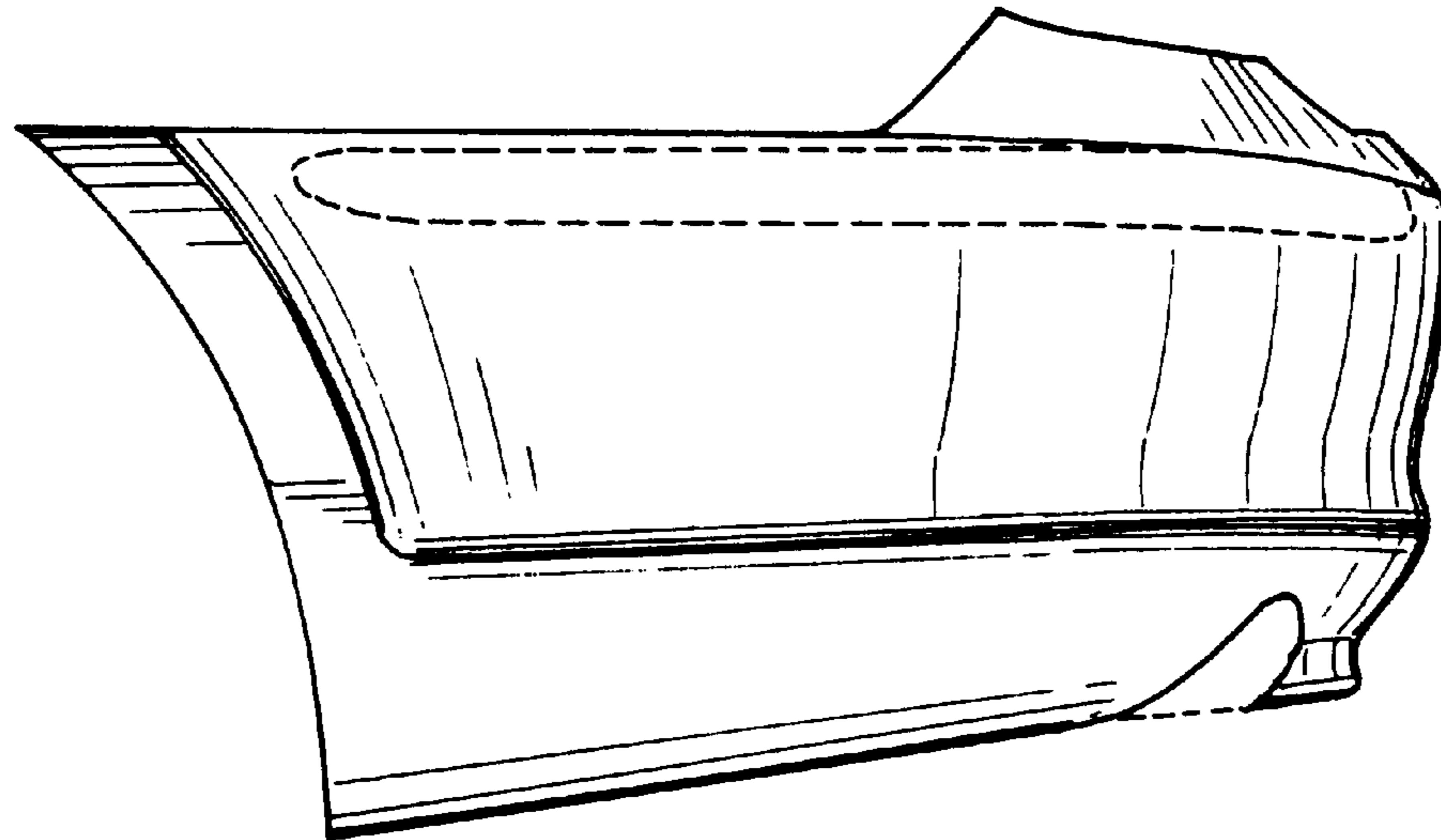


FIG. 4

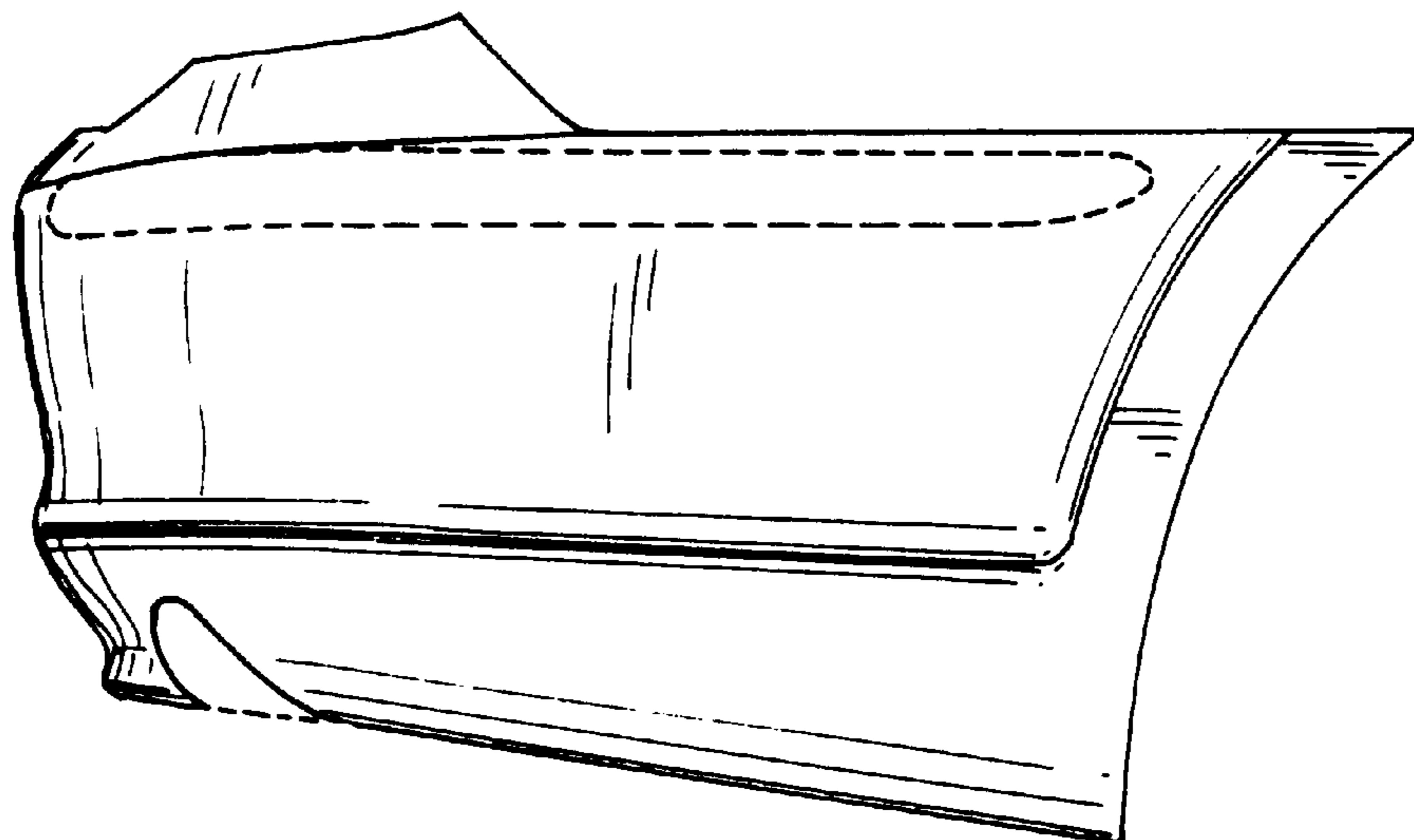


FIG. 5

