

US00D508872S

(12) **United States Design Patent**
Hoepfner

(10) **Patent No.:** **US D508,872 S**

(45) **Date of Patent:** **** Aug. 30, 2005**

(54) **BELT BUCKLE**

(76) **Inventor:** **Kirk Hoepfner**, 1508 Wicket Ct.,
Concord, CA (US) 94518

(**) **Term:** **14 Years**

(21) **Appl. No.:** **29/198,833**

(22) **Filed:** **Feb. 5, 2004**

(51) **LOC (8) Cl.** **02-07**

(52) **U.S. Cl.** **D11/216**

(58) **Field of Search** D11/200, 201,
D11/208-210, 212-218, 220, 230-234,
237, 86-87, 94; 63/15.2, 15; 24/307, 625,
616, 200, 196, 171, 169, 112, 646

(56) **References Cited**

U.S. PATENT DOCUMENTS

D136,912 S	*	12/1943	Glaser	D11/215
D171,045 S	*	12/1953	Noe	D11/216
3,078,538 A	*	2/1963	Brown	24/646
3,145,442 A	*	8/1964	Brown	24/639
3,147,530 A	*	9/1964	Goldman	24/646
3,165,805 A	*	1/1965	Lower	24/646
3,393,433 A	*	7/1968	Barcus	24/646
D215,195 S	*	9/1969	Krengel et al.	D11/216
3,852,855 A	*	12/1974	Bengtsson	24/265 EE
D267,130 S	*	12/1982	Goldman	D11/216

D302,140 S	*	7/1989	Johnston	D11/216
D327,455 S	*	6/1992	Blair	D11/216
D333,640 S	*	3/1993	Keller	D11/218
D363,256 S	*	10/1995	Takimoto	D11/216
D454,093 S	*	3/2002	Schlatter et al.	D11/216

* cited by examiner

Primary Examiner—Ralf Seifert

(74) *Attorney, Agent, or Firm*—Eric Karich

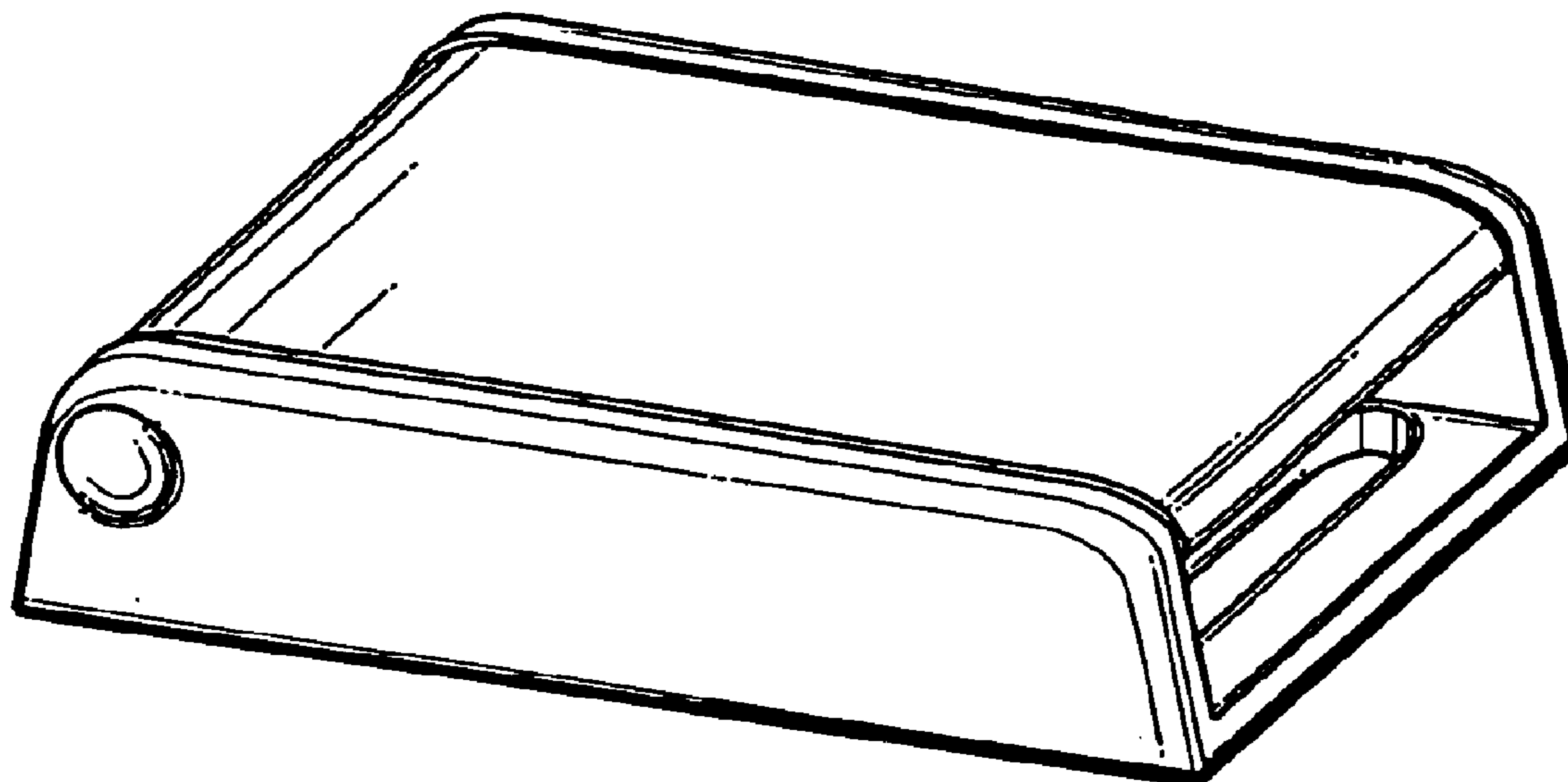
(57) **CLAIM**

The ornamental design for a “belt buckle,” as shown and described.

DESCRIPTION

FIG. 1 is a perspective view of a belt buckle, showing my new design;
 FIG. 2 is a front elevational view thereof;
 FIG. 3 is a rear elevational view thereof;
 FIG. 4 is a left side elevational view thereof, the right side elevational view being a mirror image thereof;
 FIG. 5 is a top plan view thereof;
 FIG. 6 is a bottom plan view thereof; and,
 FIG. 7 is an exploded perspective view.
 The broken line showing of a belt is for illustrative purposes only and forms no part of the claimed design.

1 Claim, 2 Drawing Sheets



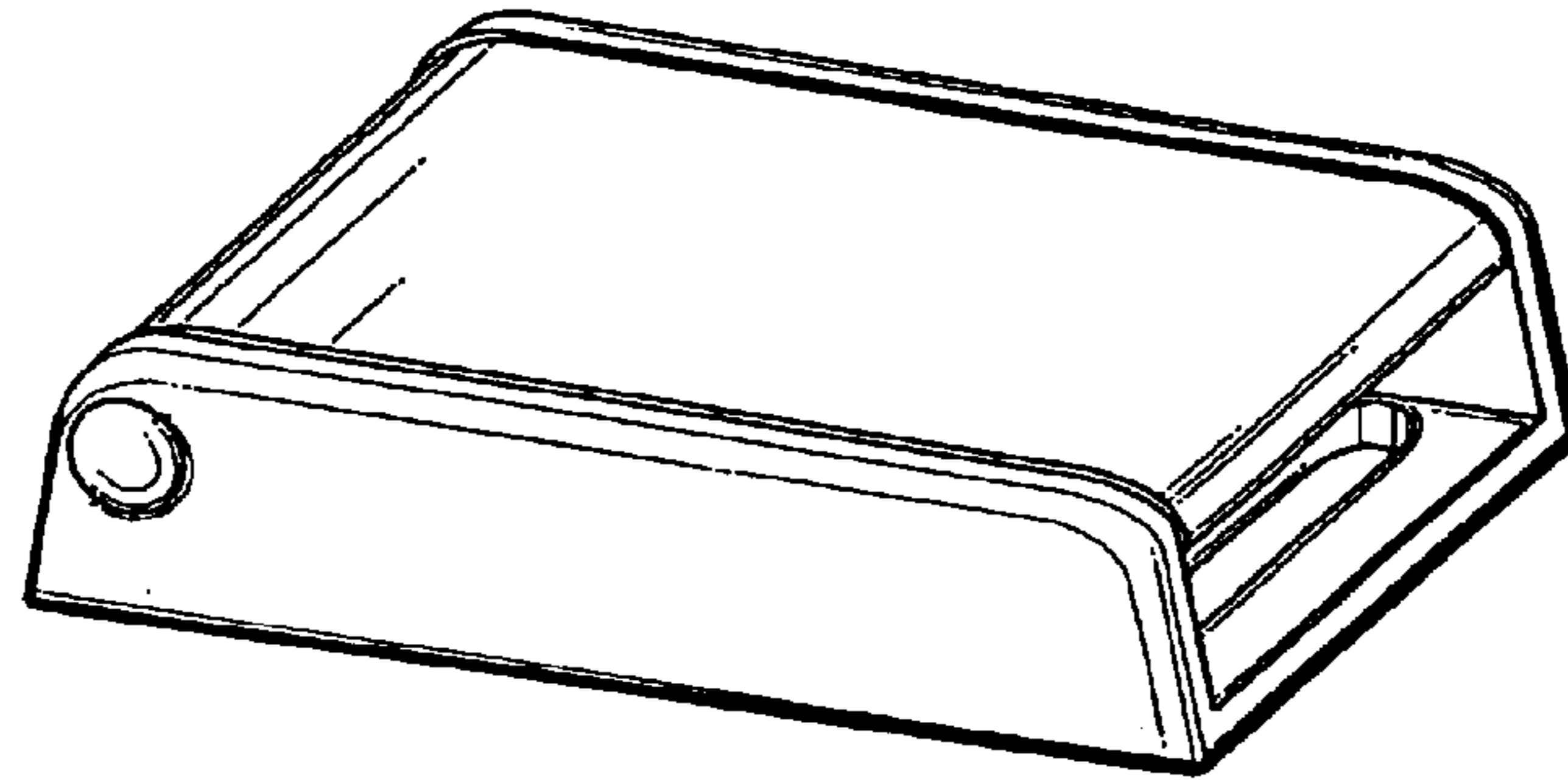


Fig. 1

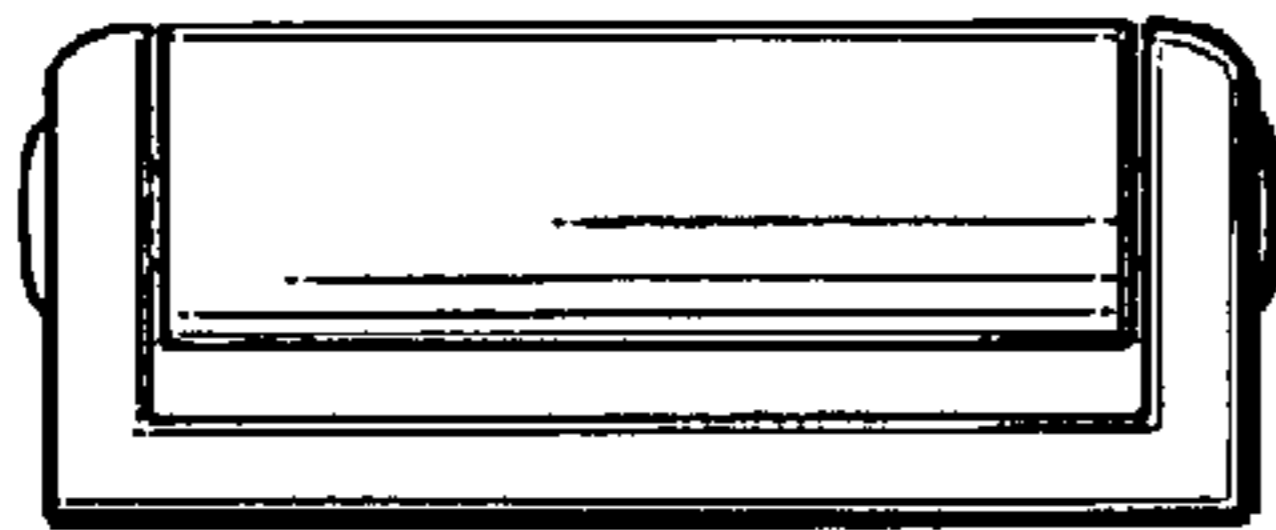


Fig. 2

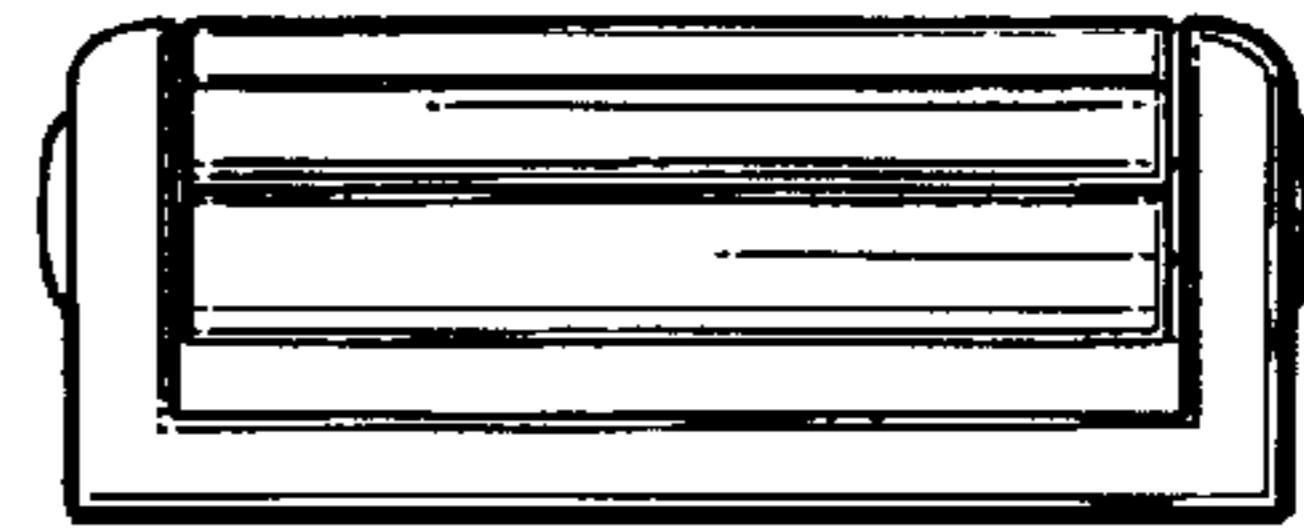


Fig. 3

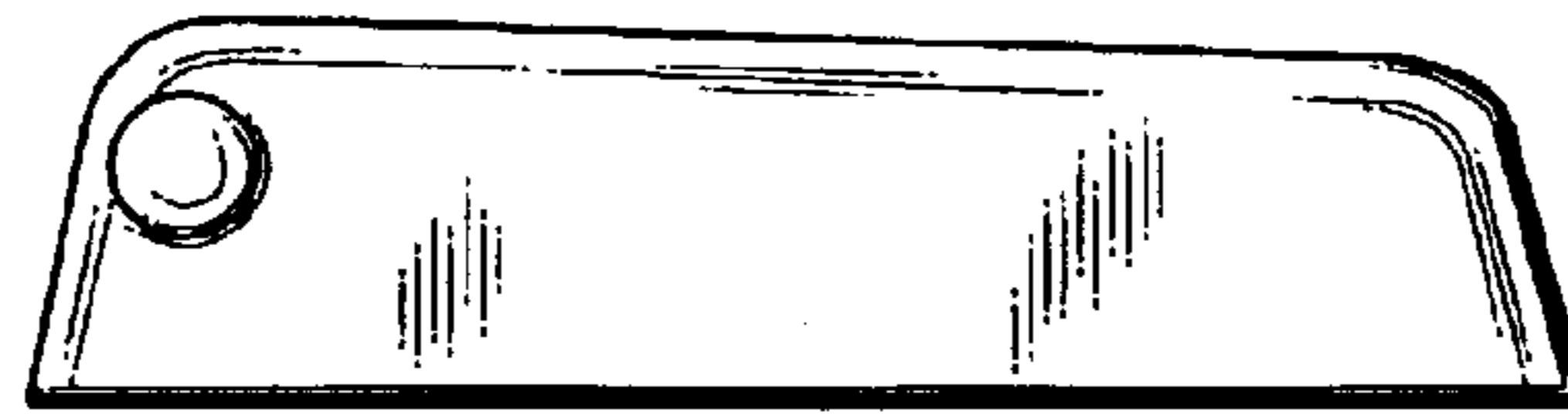


Fig. 4

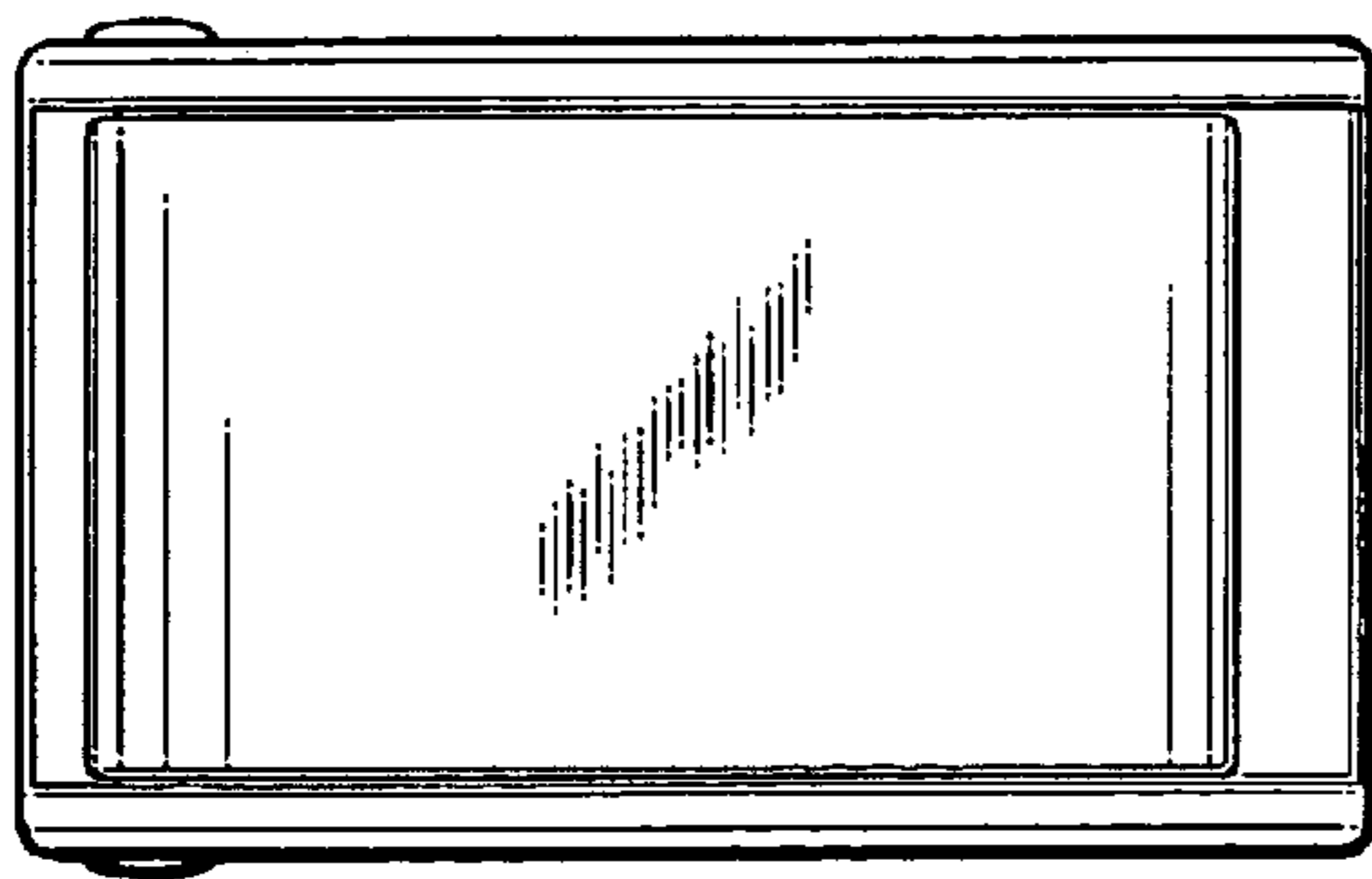


Fig. 5

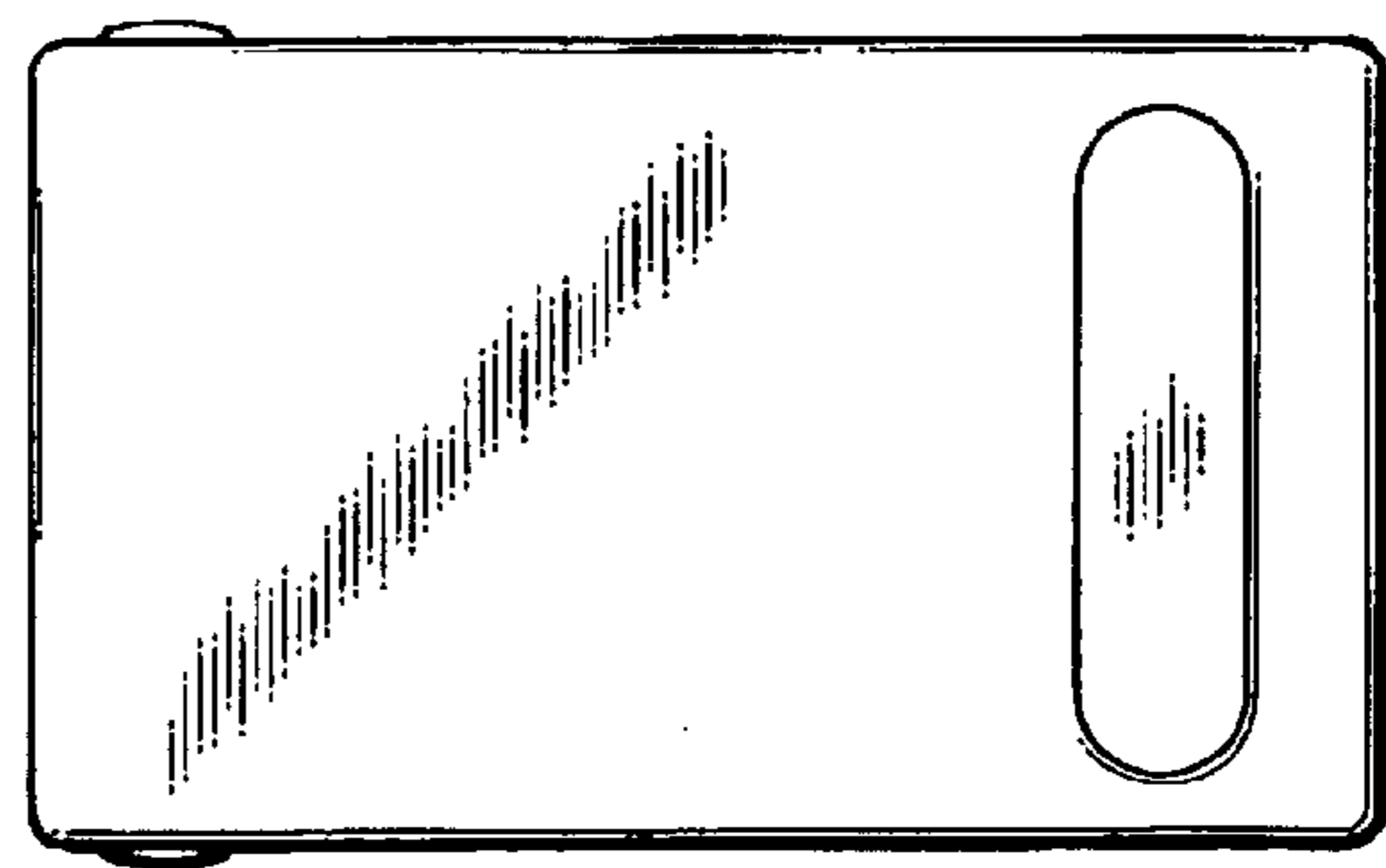


Fig. 6

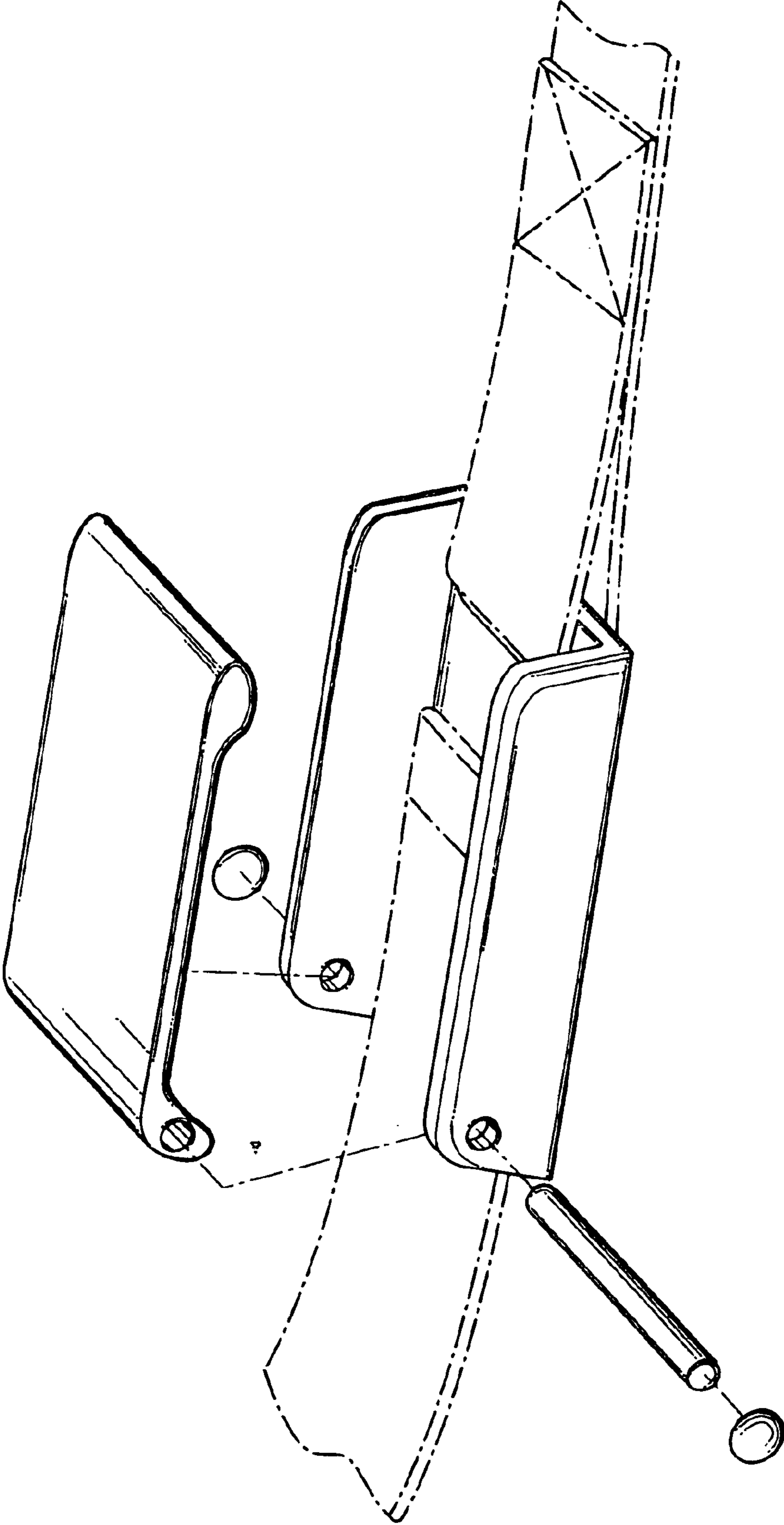


Fig. 7