



US00D508869S

(12) **United States Design Patent** (10) **Patent No.:** **US D508,869 S**
Rosenwasser et al. (45) **Date of Patent:** **** Aug. 30, 2005**

(54) **MULTI-FACETED JEWELRY LINK AND CHAIN**

(75) Inventors: **David Rosenwasser**, Norwood, NJ (US); **Avraham Moshe Rosenwasser**, 76 Millbrook Cir., Norwood, NJ (US) 07648

(73) Assignee: **Avraham Moshe Rosenwasser**, Norwood, NJ (US)

(**) Term: **14 Years**

(21) Appl. No.: **29/189,495**

(22) Filed: **Sep. 5, 2003**

Related U.S. Application Data

(62) Division of application No. 29/141,739, filed on May 11, 2001, now Pat. No. Des. 483,288.

(51) **LOC (8) Cl.** **11-01**

(52) **U.S. Cl.** **D11/93**

(58) **Field of Search** D11/1-3, 12, 13, D11/86, 93; 59/78, 80, 82, 84-92; 63/3, 4

(56) **References Cited**

U.S. PATENT DOCUMENTS

4,996,835 A	3/1991	Rozenwasser	
D321,148 S	10/1991	Chiaramonti	
D340,422 S	10/1993	Grando	
D343,136 S	1/1994	Grando	
D346,131 S	4/1994	Chiaramonti	
5,309,704 A	5/1994	Grando	
5,544,477 A	8/1996	Rozenwasser	
D375,465 S	11/1996	Rozenwasser	
5,660,036 A	8/1997	Rozenwasser	
D424,964 S	5/2000	Chia et al.	
D449,790 S	10/2001	Scortecci	
D480,980 S	* 10/2003	Rosenwasser et al.	D11/13

* cited by examiner

Primary Examiner—Louis S. Zarfaz
Assistant Examiner—John Windmuller

(74) *Attorney, Agent, or Firm*—Katten Muchin Zavis Rosenman

(57) **CLAIM**

The ornamental design for a multi-faceted jewelry link and chain, as shown and described.

DESCRIPTION

FIG. 1 is a perspective view of a multi-faceted jewelry link showing my new design;

FIG. 2 is a front view thereof;

FIG. 3 is a side elevation thereof;

FIG. 4 is a top view thereof;

FIG. 5 is a bottom view thereof;

FIG. 6 is a perspective view of a multi-faceted jewelry chain formed from the multi-faceted jewelry link of FIGS. 1-5.

FIG. 7 is a perspective view of a multi-faceted jewelry link showing a second embodiment of my new design;

FIG. 8 is a front view of FIG. 7;

FIG. 9 is a side elevation of FIG. 7;

FIG. 10 is a top view of FIG. 7;

FIG. 11 is a bottom view of FIG. 7;

FIG. 12 is a perspective view of a multi-faceted jewelry chain formed from the multi-faceted jewelry link of FIGS. 7-11.

FIG. 13 is a perspective view of a multi-faceted jewelry link showing a third embodiment of my new design;

FIG. 14 is a front view of FIG. 13;

FIG. 15 is a side elevation of FIG. 13;

FIG. 16 is a top view of FIG. 13;

FIG. 17 is a bottom view of FIG. 13;

FIG. 18 is a perspective view of a multi-faceted jewelry chain formed from the multi-faceted jewelry link of FIGS. 13-17.

FIG. 19 is a perspective view of a multi-faceted jewelry link showing a fourth embodiment of my new design;

FIG. 20 is a front view of FIG. 19;

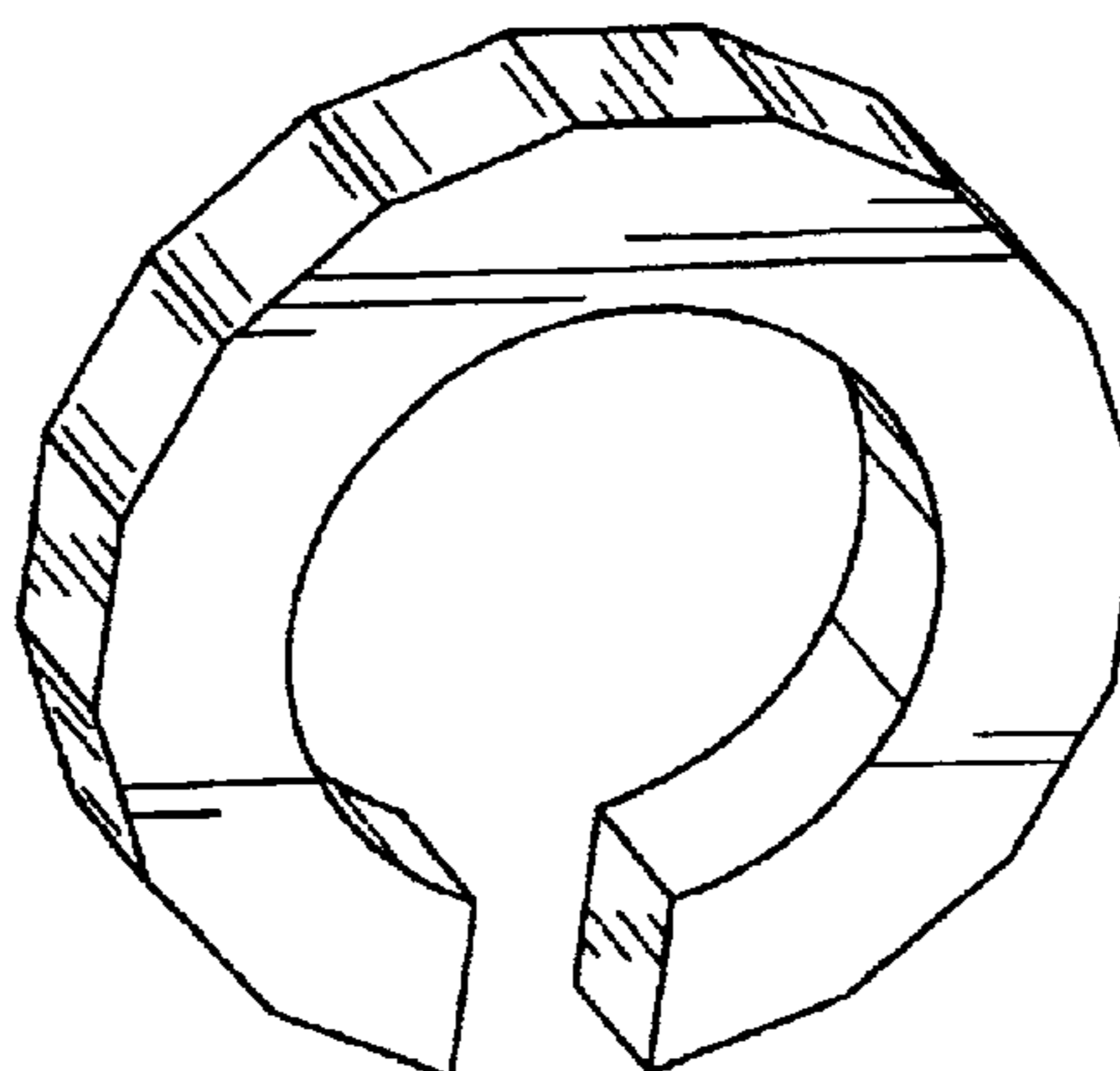
FIG. 21 is a side elevation of FIG. 19;

FIG. 22 is a top view of FIG. 19;

FIG. 23 is a bottom view of FIG. 19; and,

FIG. 24 is a perspective view of a multi-faceted jewelry chain formed from the multi-faceted jewelry link of FIGS. 19-23.

1 Claim, 12 Drawing Sheets



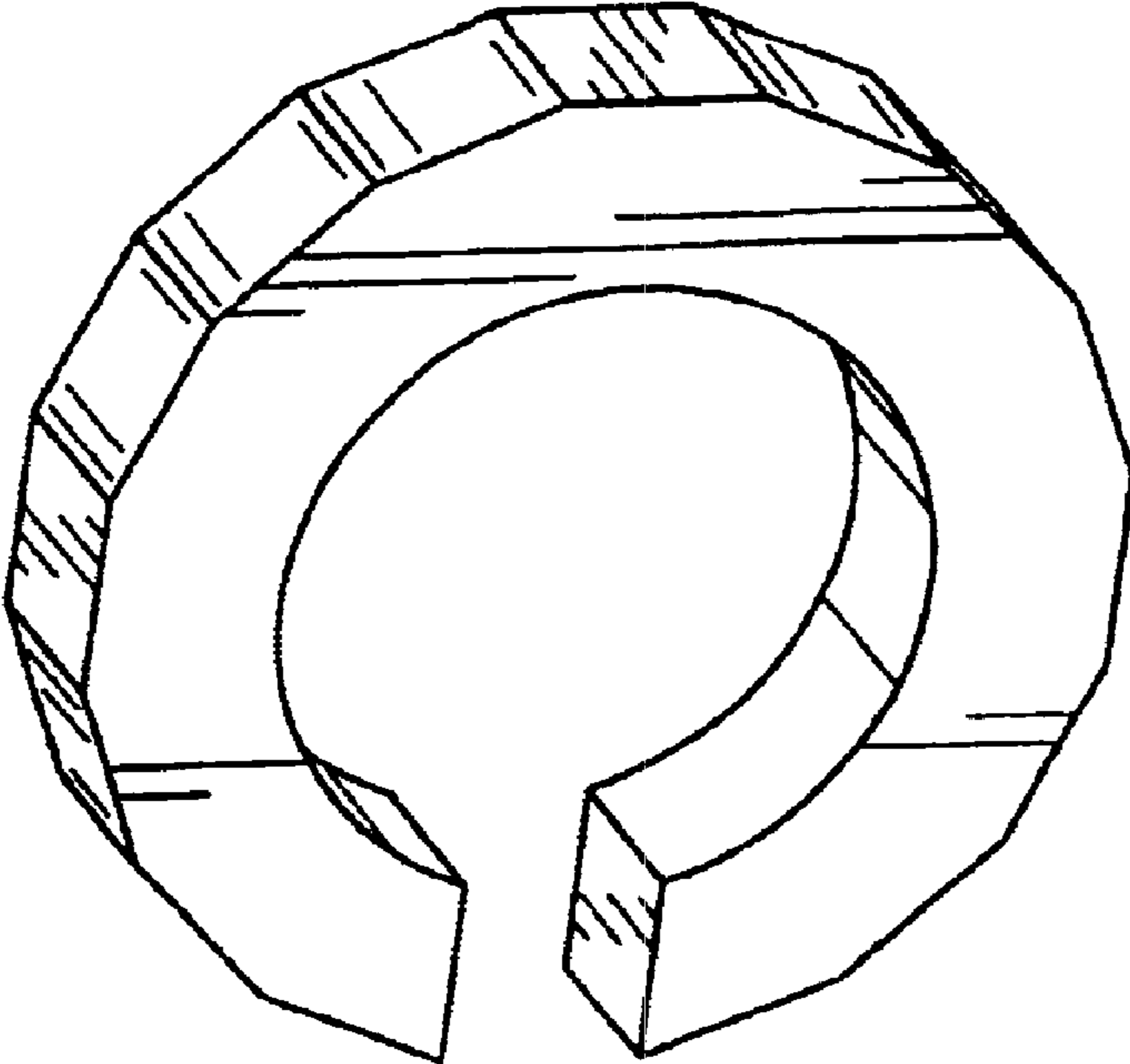


FIG. 1

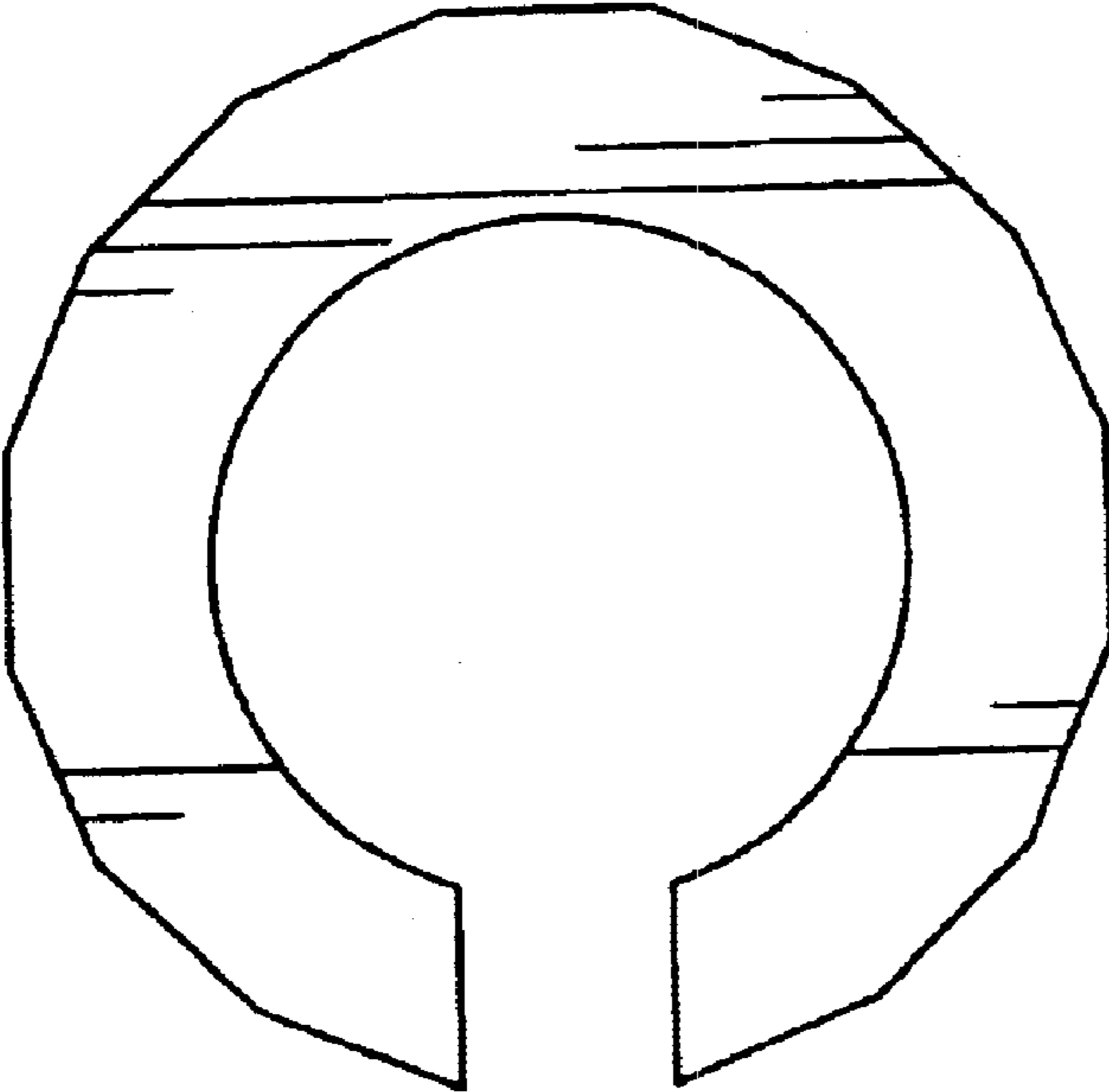


FIG. 2

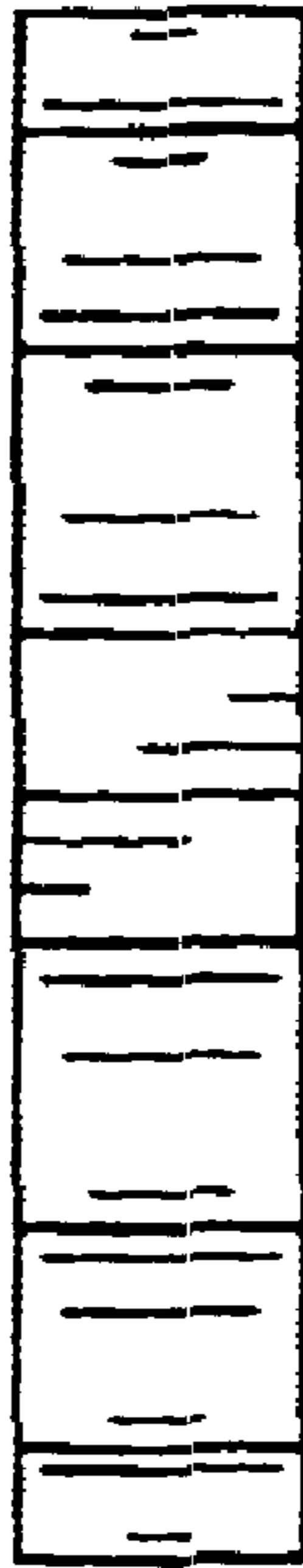


FIG. 3



FIG. 4



FIG. 5

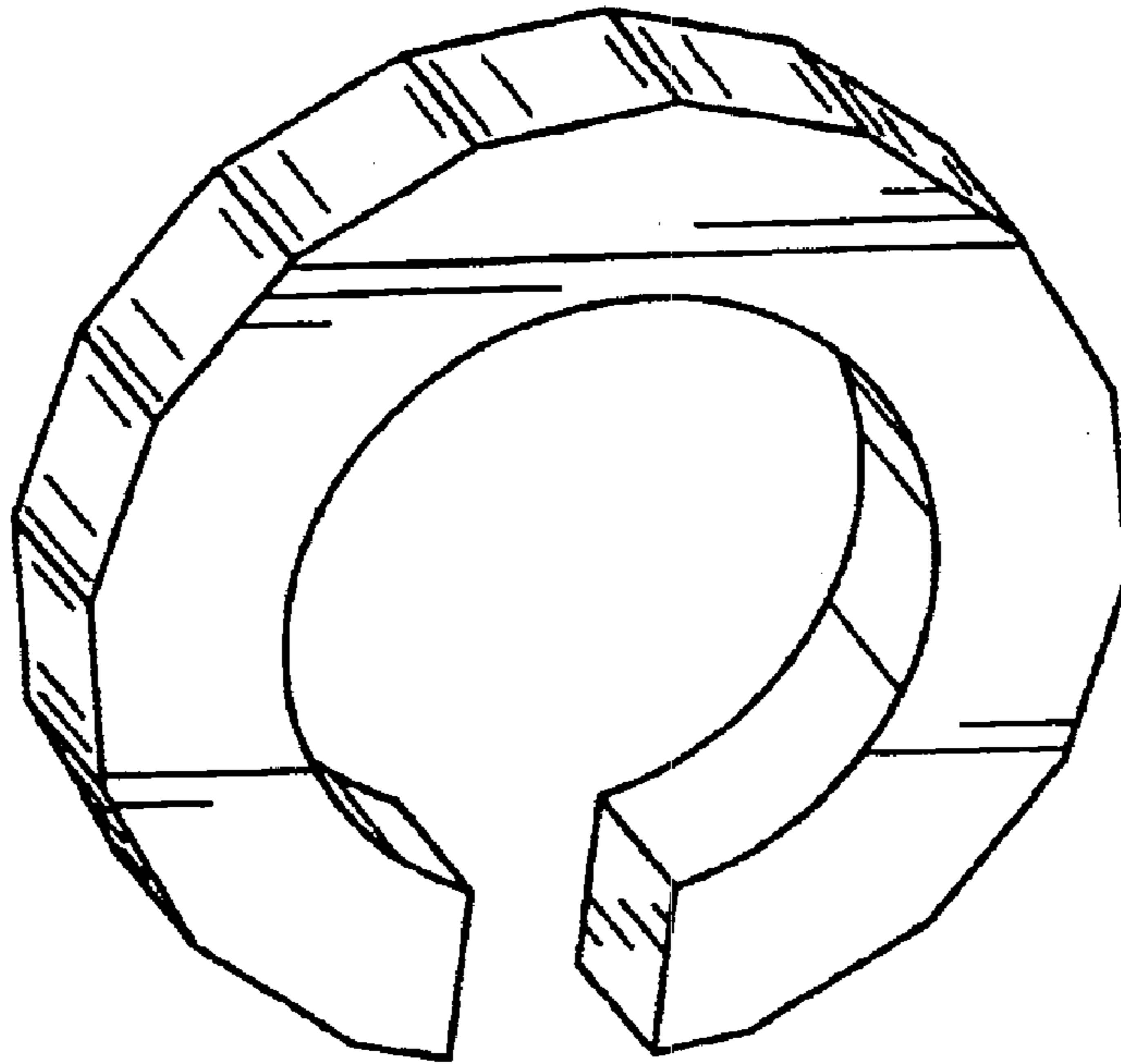


FIG. 6

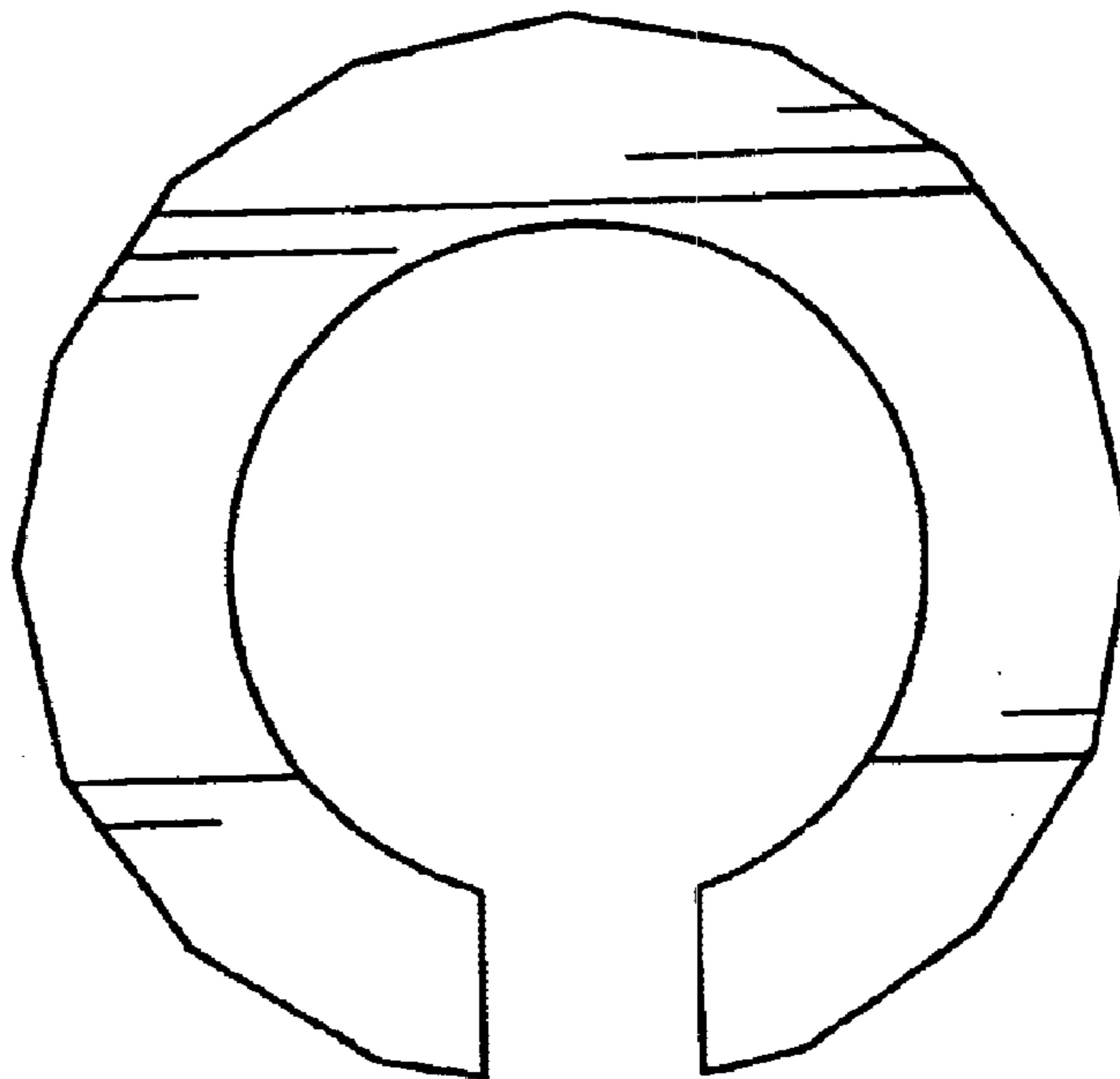


FIG. 7

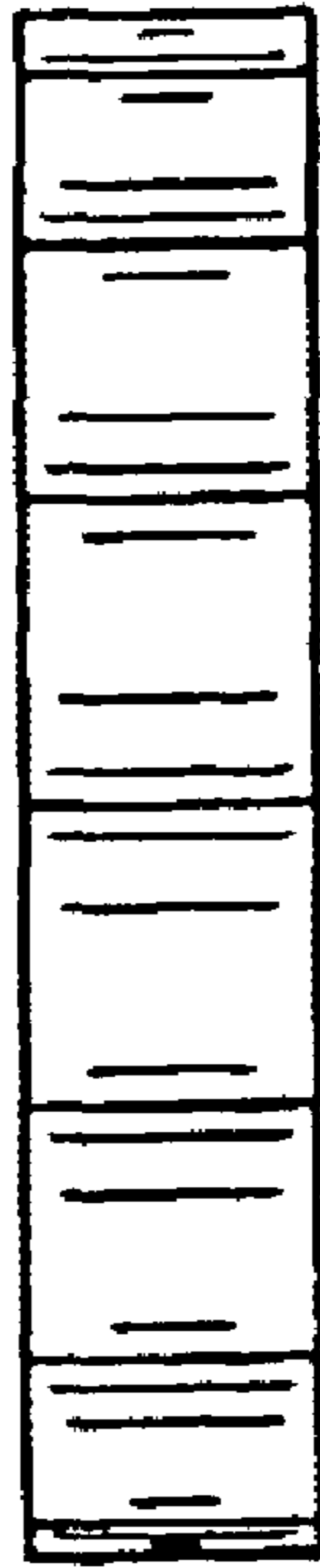


FIG. 8



FIG. 9

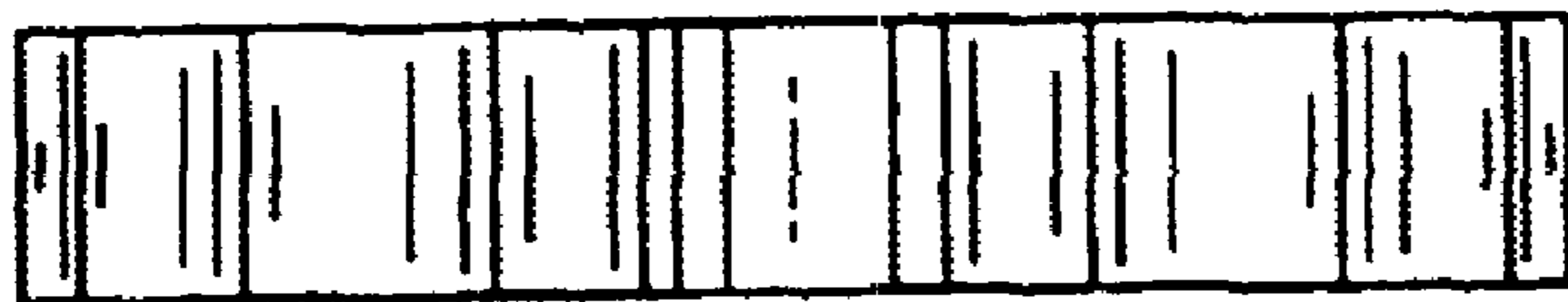


FIG. 10

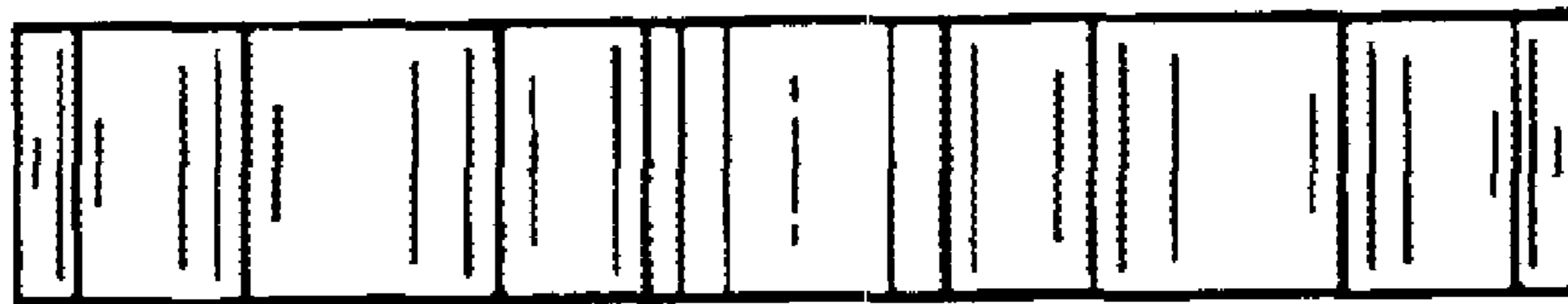


FIG. 11

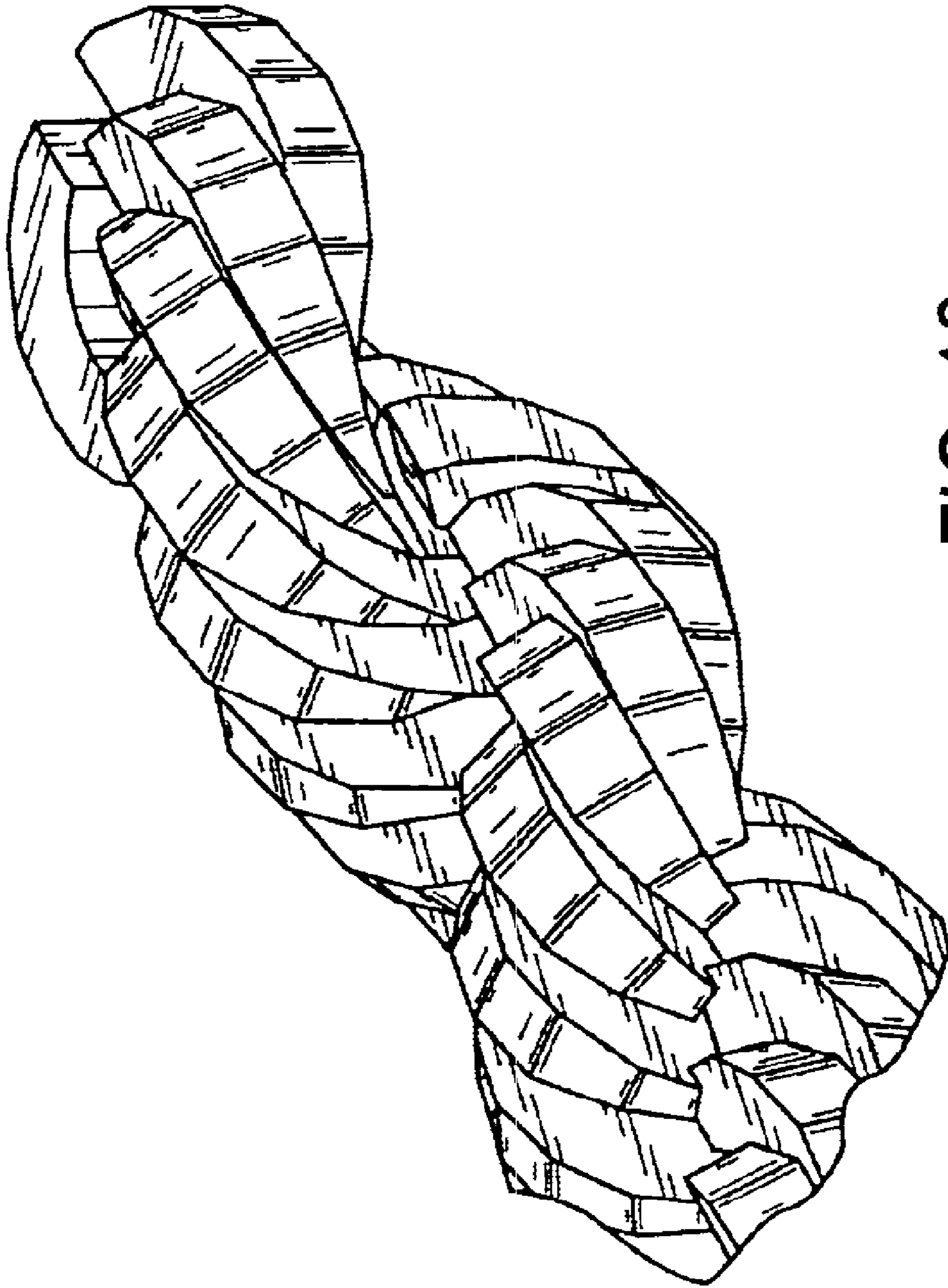


FIG. 12

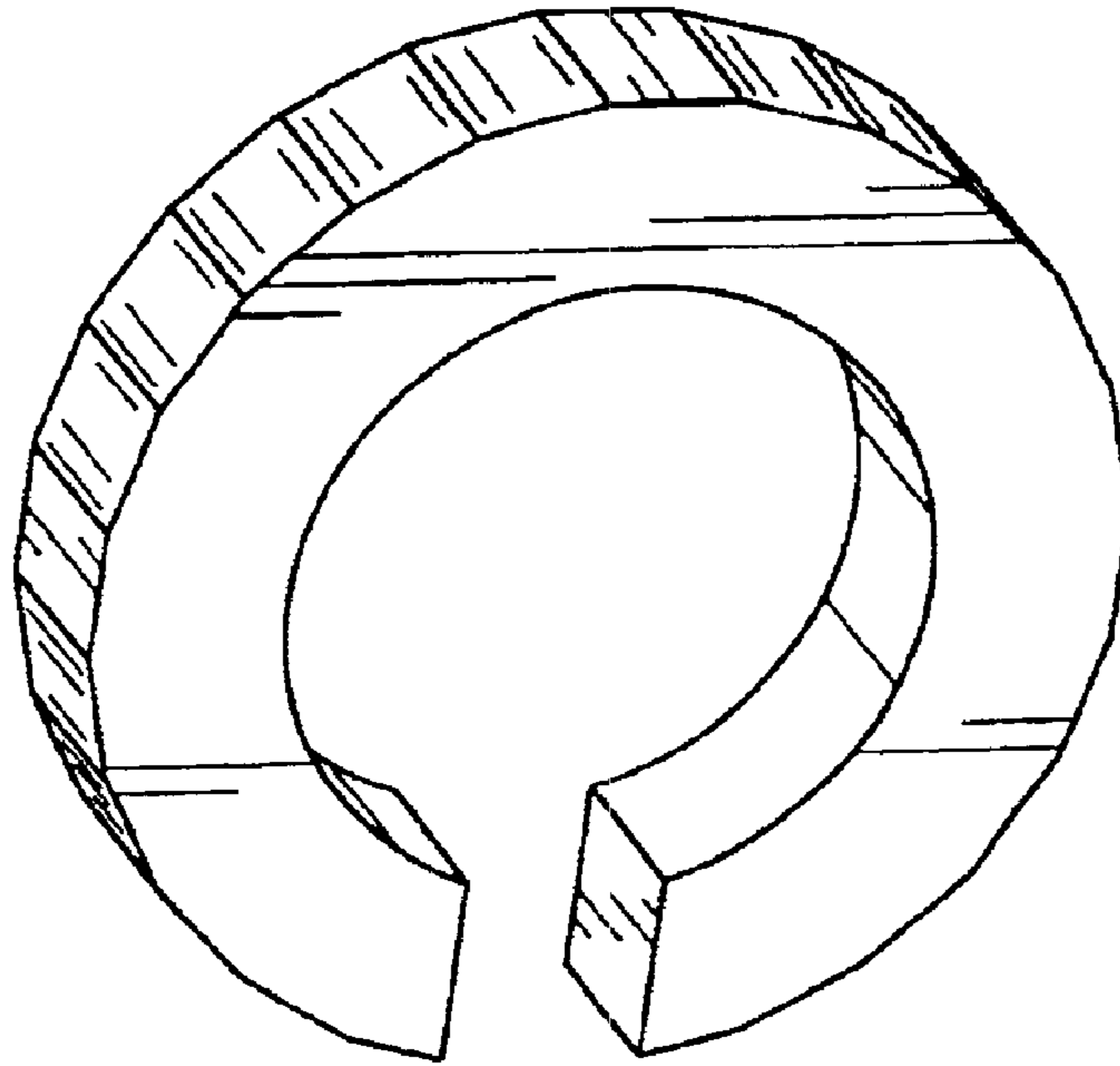


FIG. 13

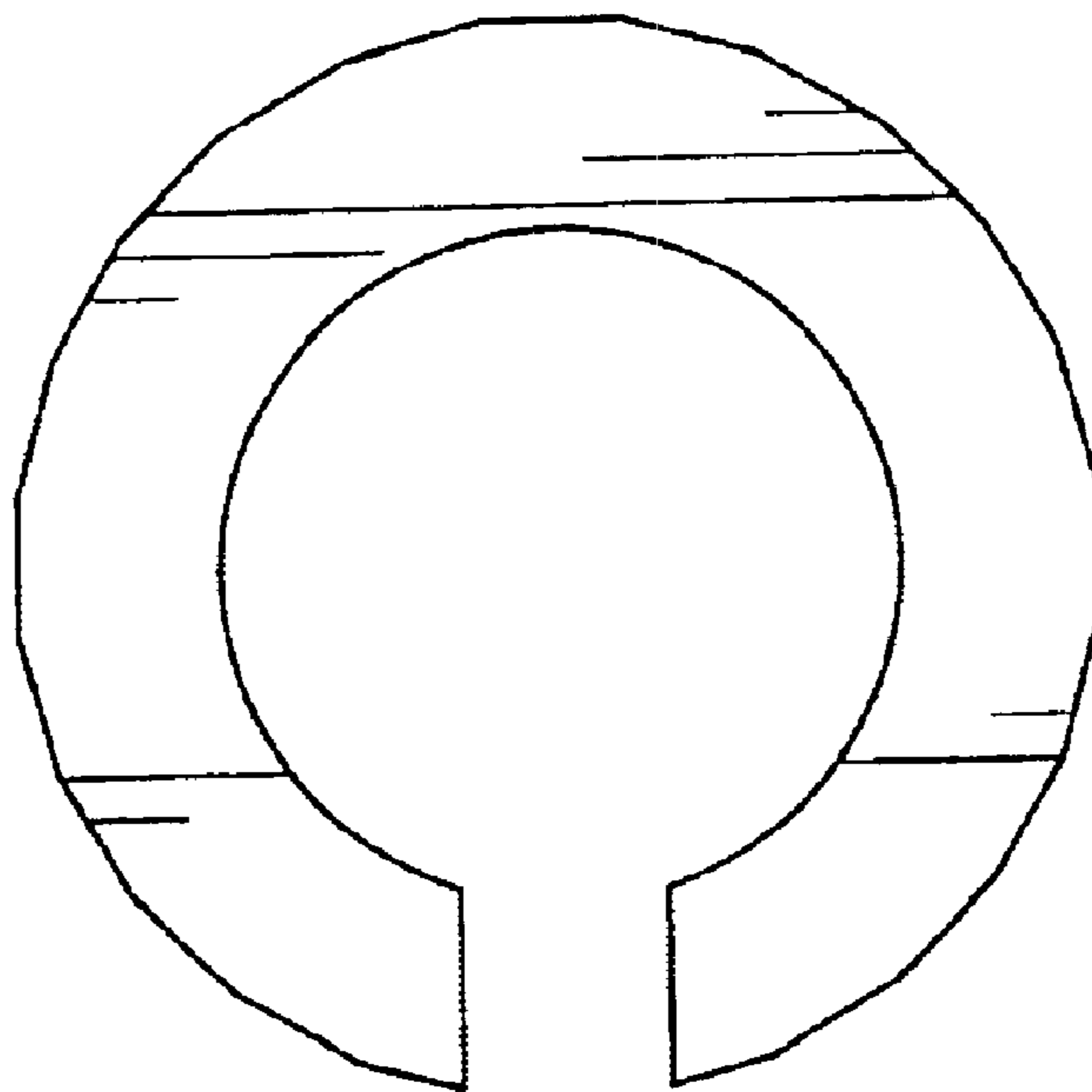


FIG. 14



FIG. 15

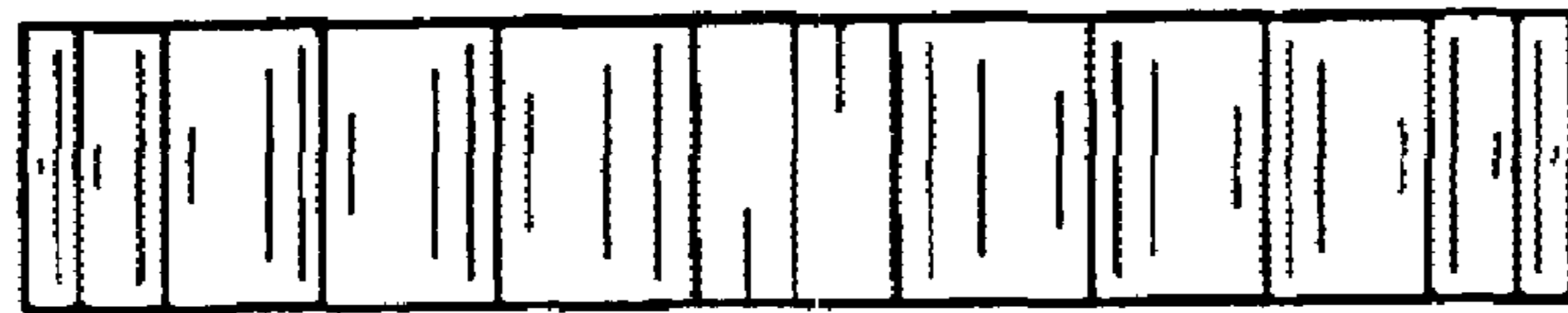


FIG. 16



FIG. 17

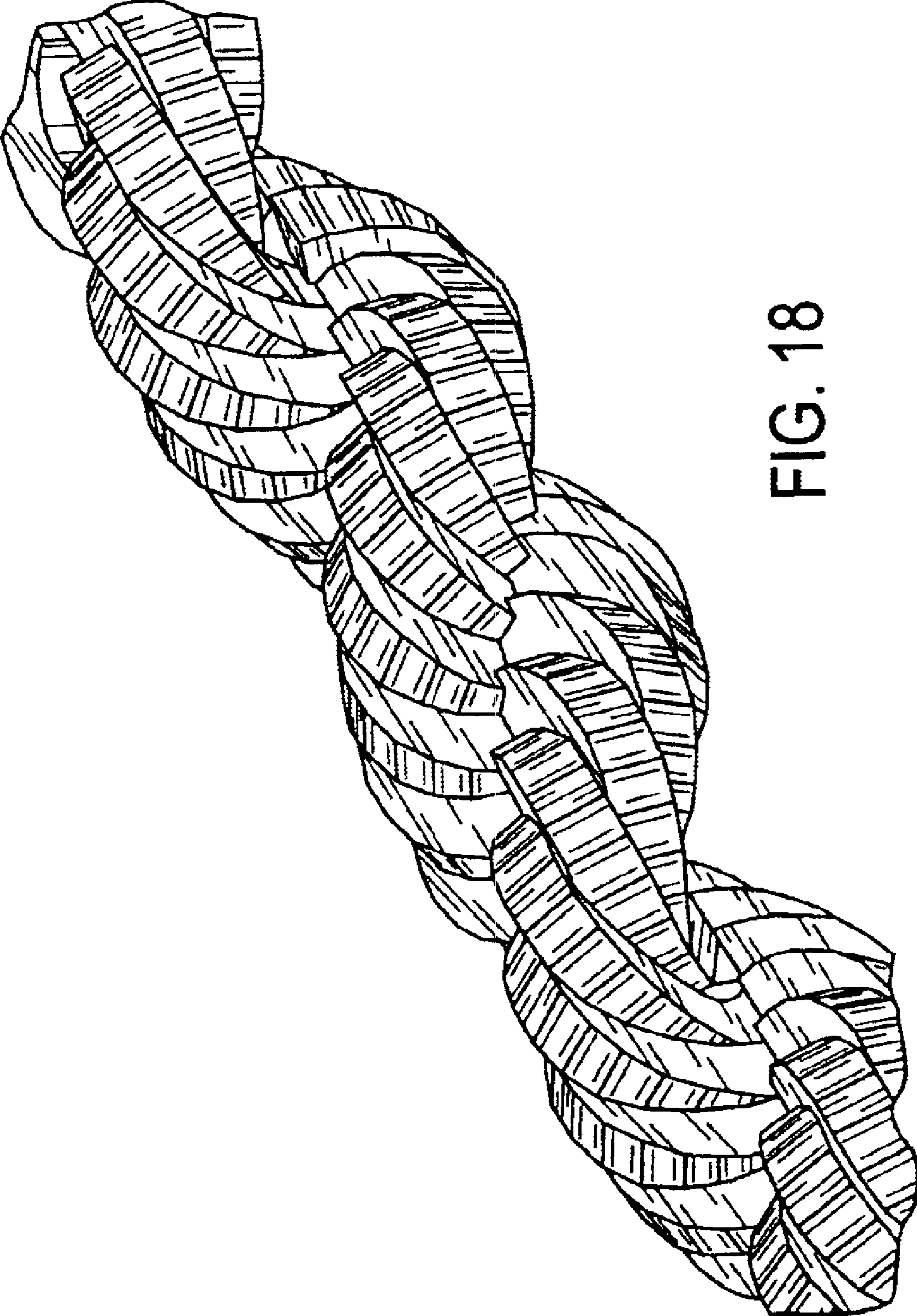


FIG. 18

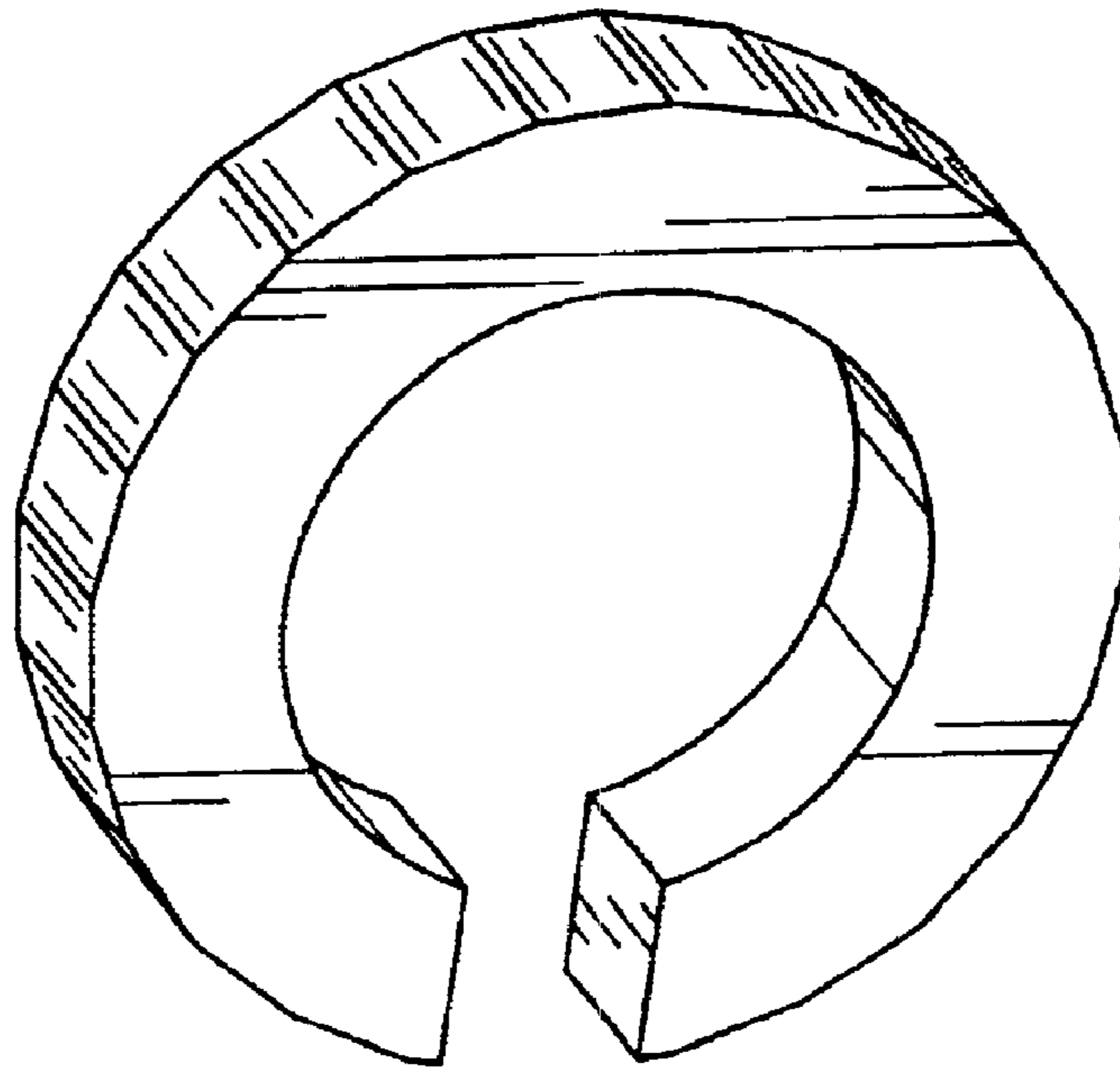


FIG. 19

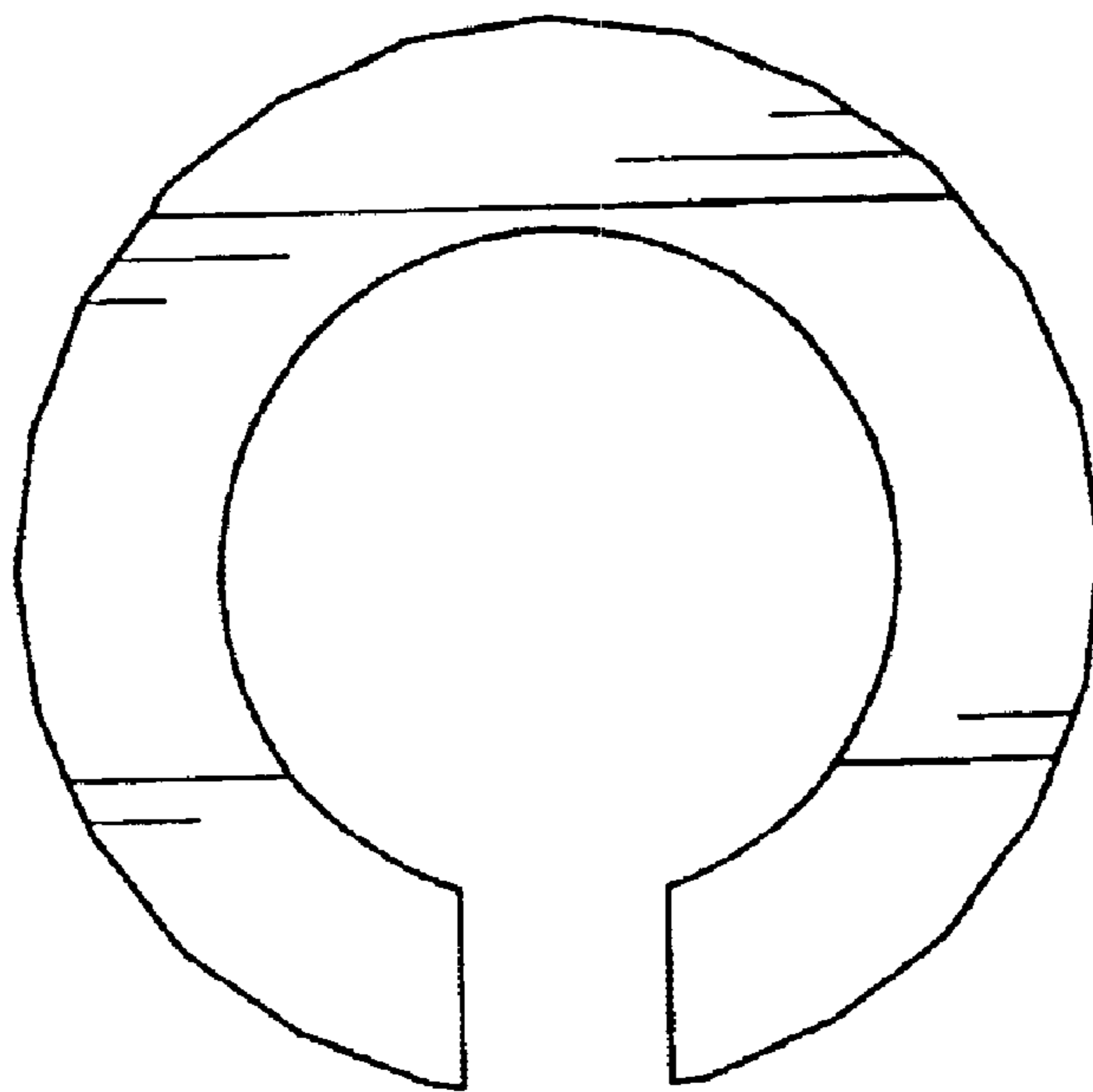


FIG. 20

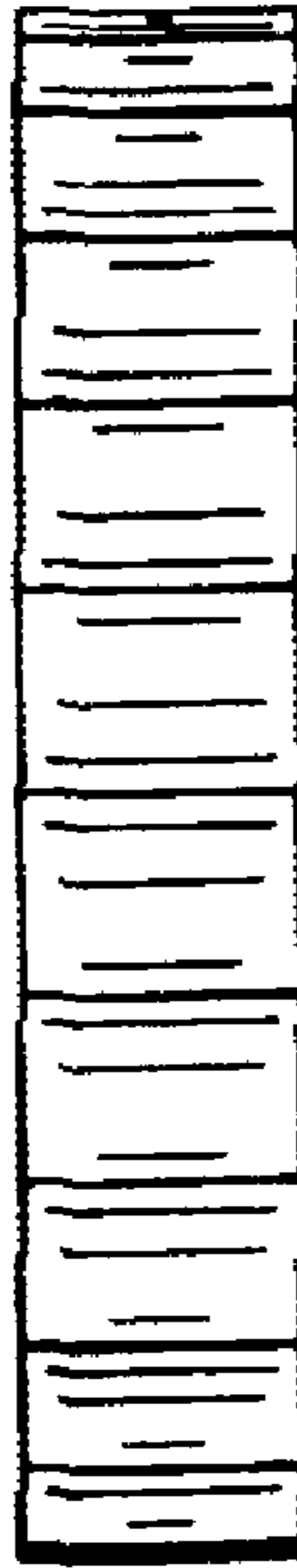


FIG. 21



FIG. 22

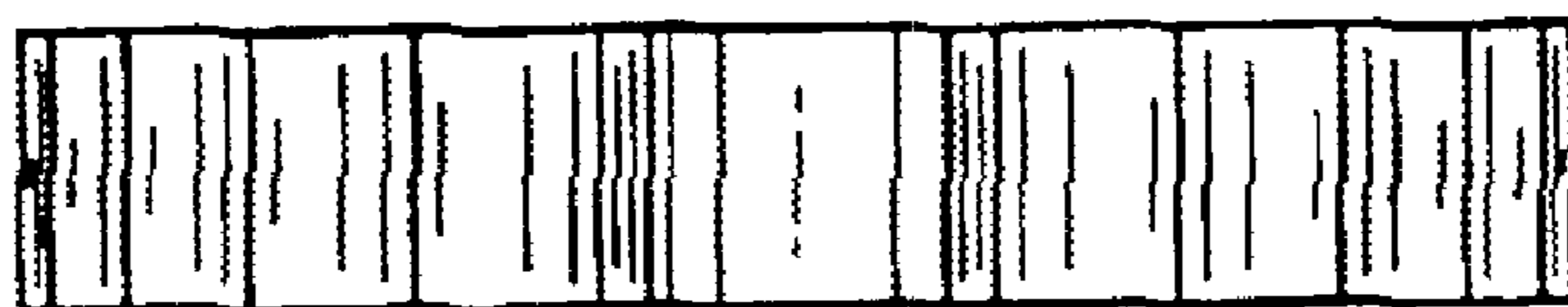


FIG. 23

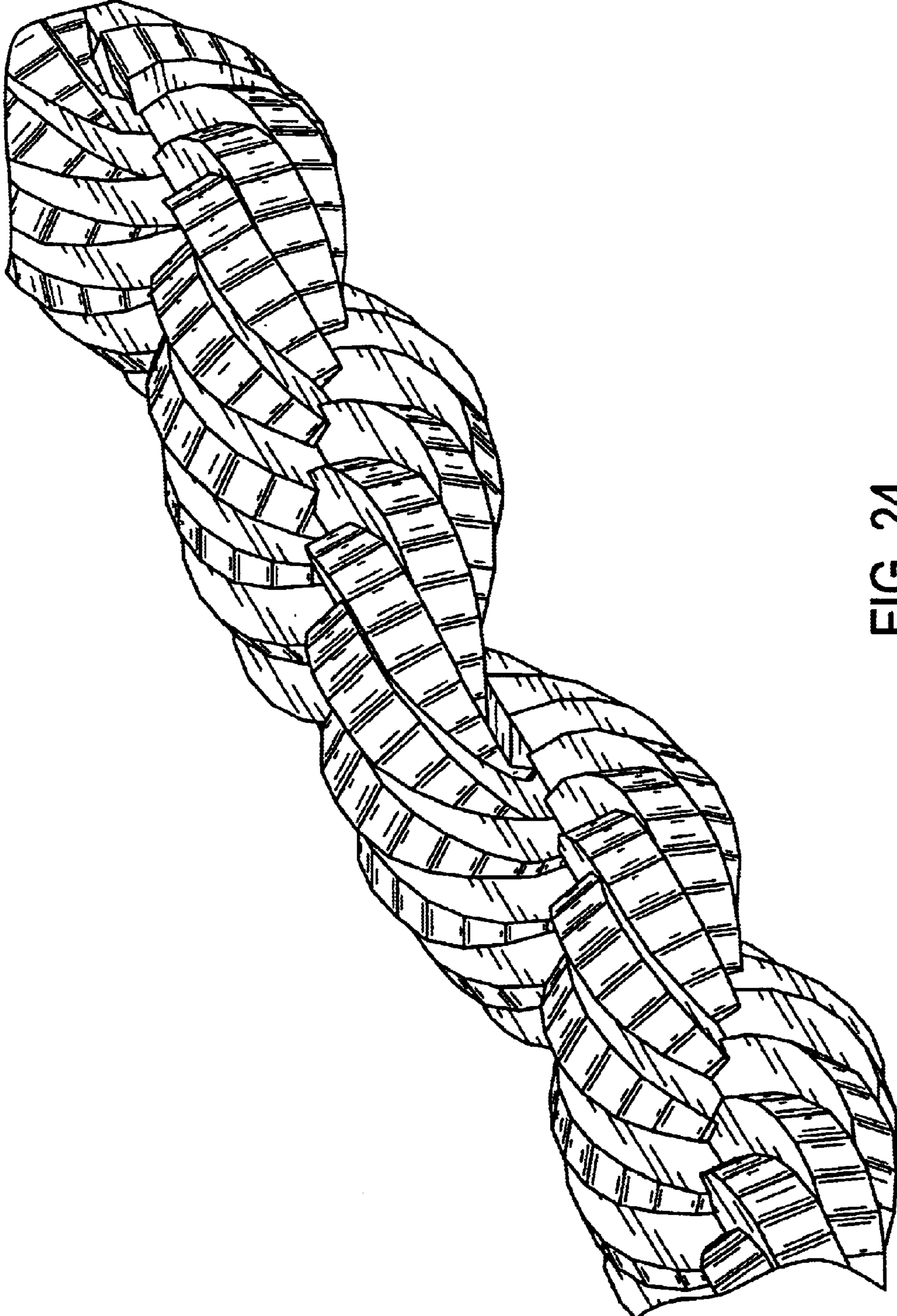


FIG. 24