

US00D508861S

(12) **United States Design Patent**
Zavala

(10) **Patent No.:** **US D508,861 S**

(45) **Date of Patent:** **** Aug. 30, 2005**

(54) **CUTTING TEMPLATE**

(76) **Inventor:** **Michael E. Zavala**, 1624 Power Horn
La., Arlington, TX (US) 76018

(**) **Term:** **14 Years**

(21) **Appl. No.:** **29/202,987**

(22) **Filed:** **Apr. 8, 2004**

(51) **LOC (8) Cl.** **10-04**

(52) **U.S. Cl.** **D10/64**

(58) **Field of Search** D10/64; 33/562-566;
29/402.09; 52/514, 745.09; 156/98

(56) **References Cited**

U.S. PATENT DOCUMENTS

- 3,171,200 A 3/1965 Poppenga
- 3,678,586 A 7/1972 Weber
- 3,760,499 A 9/1973 Crain, Jr.
- 4,057,898 A 11/1977 Piosky
- 4,230,164 A * 10/1980 Mericle 144/372
- 4,620,407 A 11/1986 Schmid

- 5,577,328 A * 11/1996 Kerry, Sr. 33/563
- D448,406 S * 9/2001 Lariviere et al. D19/39
- 6,317,952 B1 * 11/2001 Vogt 29/402.09

* cited by examiner

Primary Examiner—Antoine D. Davis

(57) **CLAIM**

The ornamental design for a cutting template, as shown and described.

DESCRIPTION

FIG. 1 is a top plan view of a cutting template showing my new design;

FIG. 2 is a bottom plan view thereof;

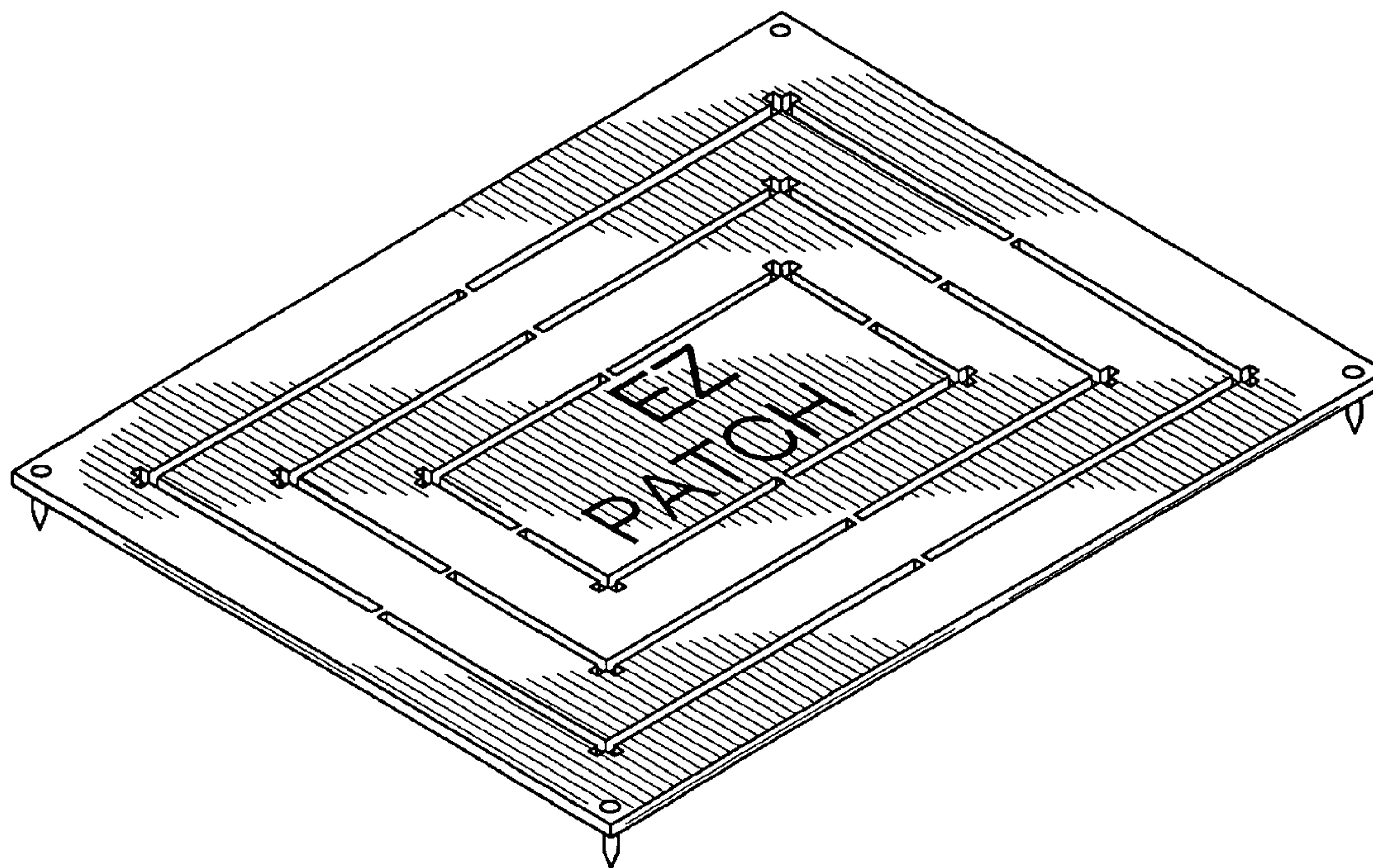
FIG. 3 is a side elevational view thereof;

FIG. 4 is a front elevational view thereof; and,

FIG. 5 is a perspective view thereof.

The indicia shown on the figures are for illustrative purposes only and are hereby disclaimed as forming no part of Applicant's claimed invention.

1 Claim, 3 Drawing Sheets



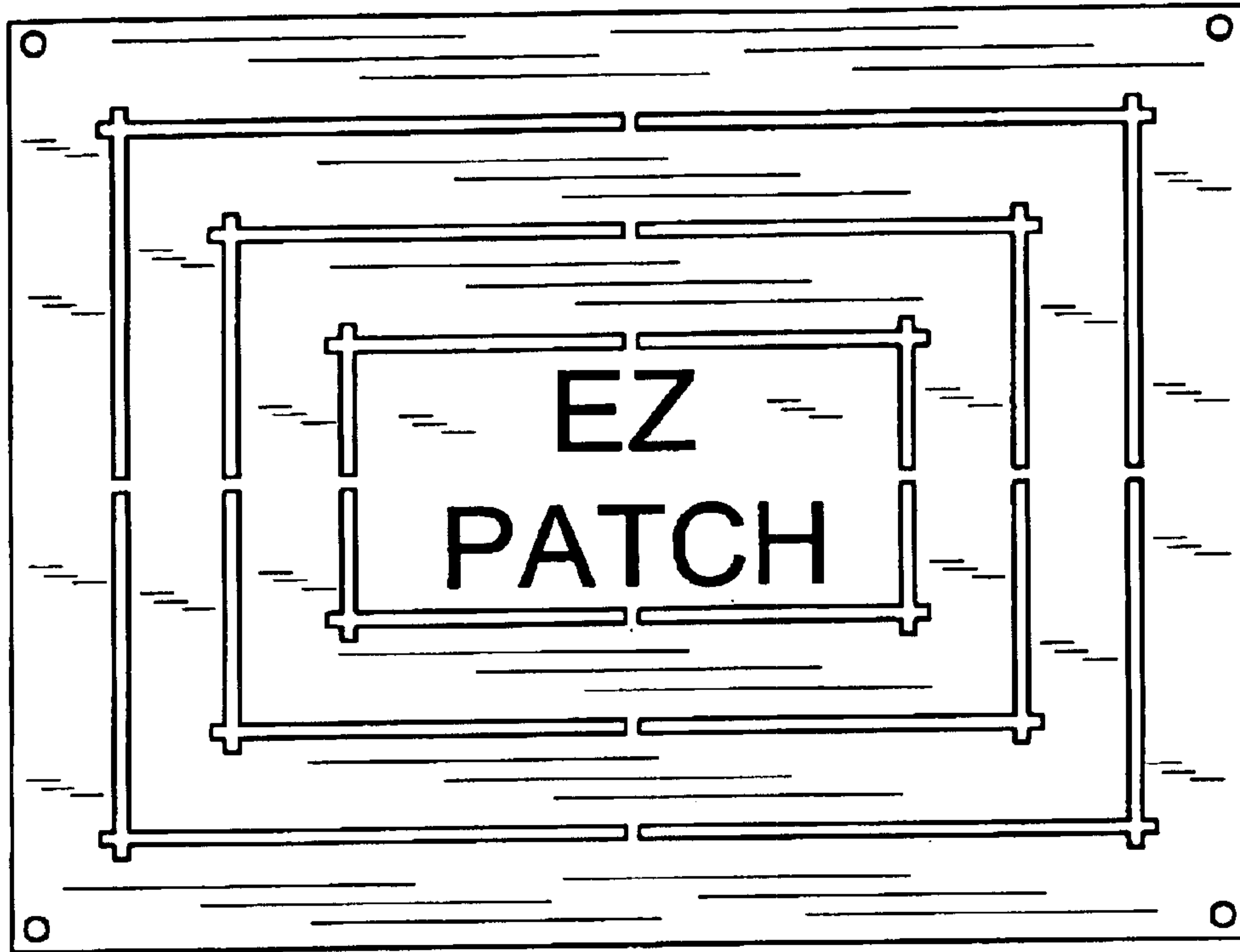


FIG. 1

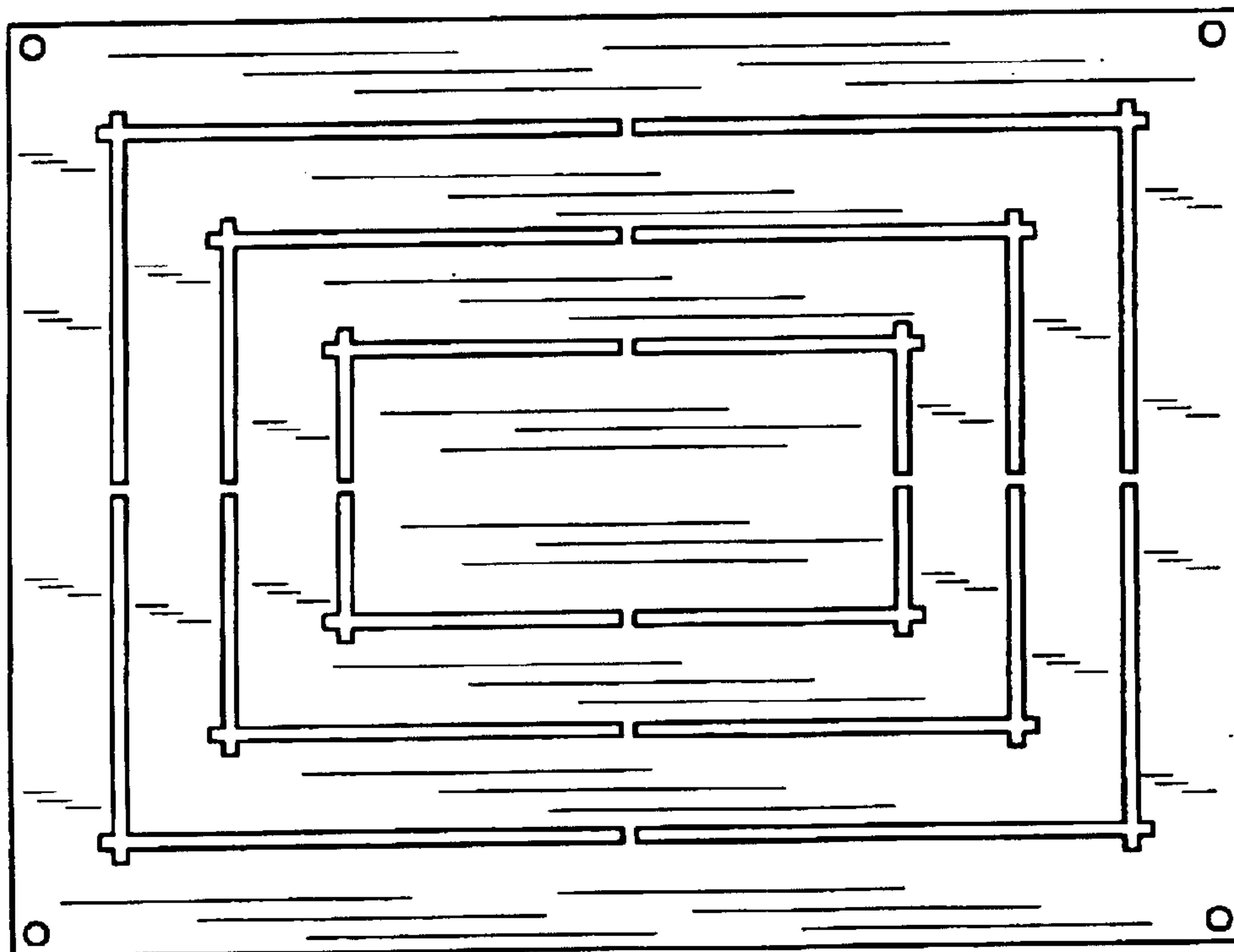


FIG. 2



FIG. 3

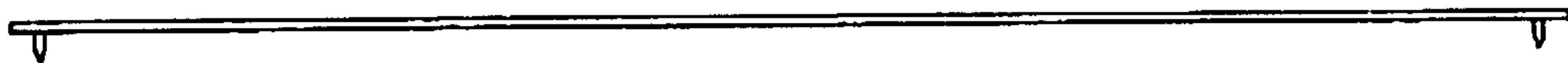


FIG. 4

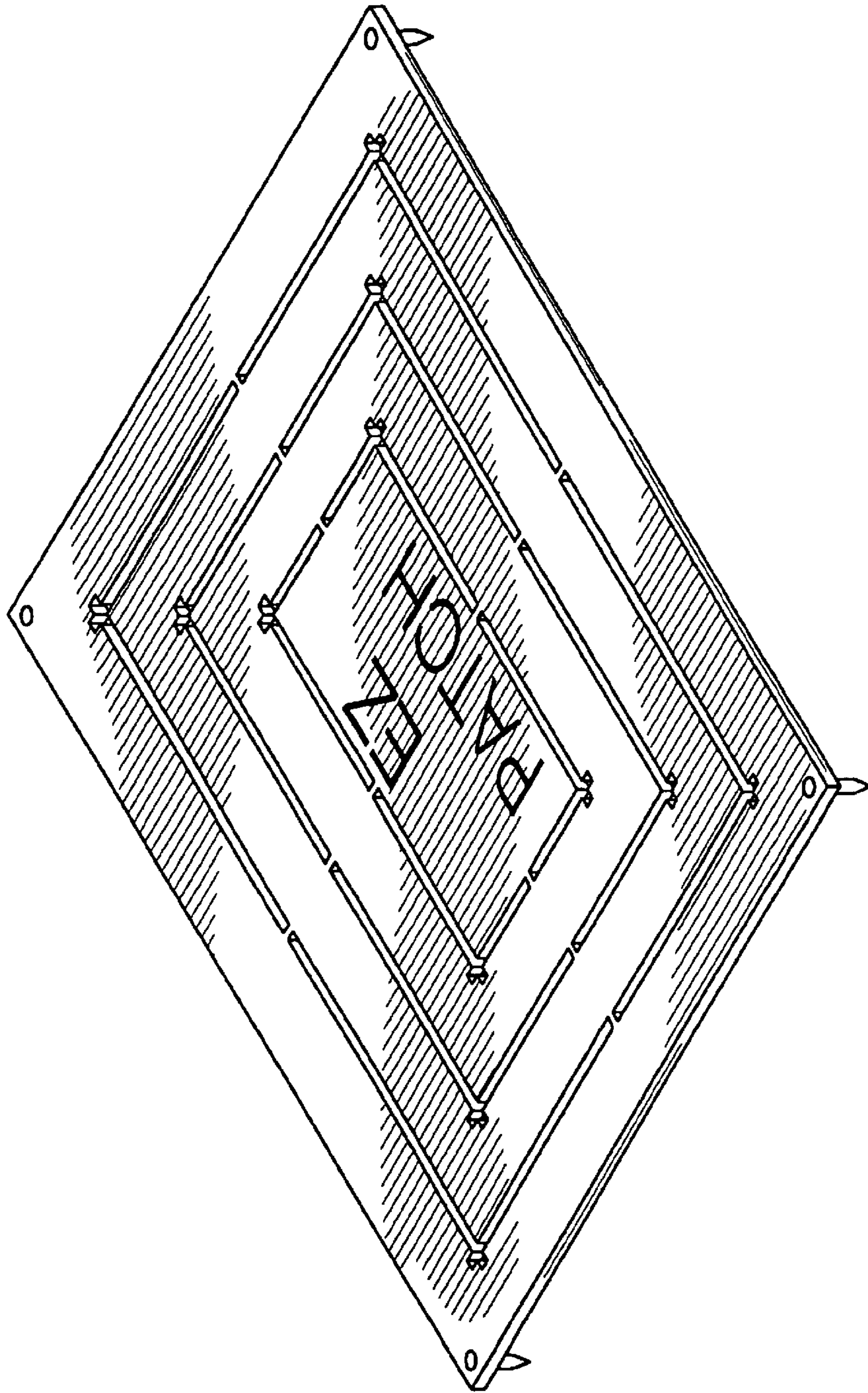


FIG. 5