

US00D508860S

(12) **United States Design Patent**
Plan

(10) **Patent No.:** **US D508,860 S**

(45) **Date of Patent:** **** Aug. 30, 2005**

(54) **WRISTWATCH**

5,943,299 A * 8/1999 Genta 368/28
D473,475 S * 4/2003 Baumann D10/32

(75) **Inventor:** **Philippe Plan**, Satigny (CH)

OTHER PUBLICATIONS

(73) **Assignee:** **Harry Winston Ultimate Timepiece SA**, Geneva (CH)

Accessories Magazine—Feb. 1986—p. 49—Watches at top-left.*

(**) **Term:** **14 Years**

* cited by examiner

(21) **Appl. No.:** **29/211,442**

Primary Examiner—Nelson C. Holtje

(22) **Filed:** **Aug. 17, 2004**

(74) *Attorney, Agent, or Firm*—Sughrue Mion, PLLC

(30) **Foreign Application Priority Data**

(57) **CLAIM**

Feb. 17, 2004 (CH) 130297

The ornamental design for a wristwatch, as shown.

(51) **LOC (8) Cl.** **10-02**

DESCRIPTION

(52) **U.S. Cl.** **D10/39**

(58) **Field of Search** D10/1-40, 122-132;
368/280-282, 276-277, 285, 294-295

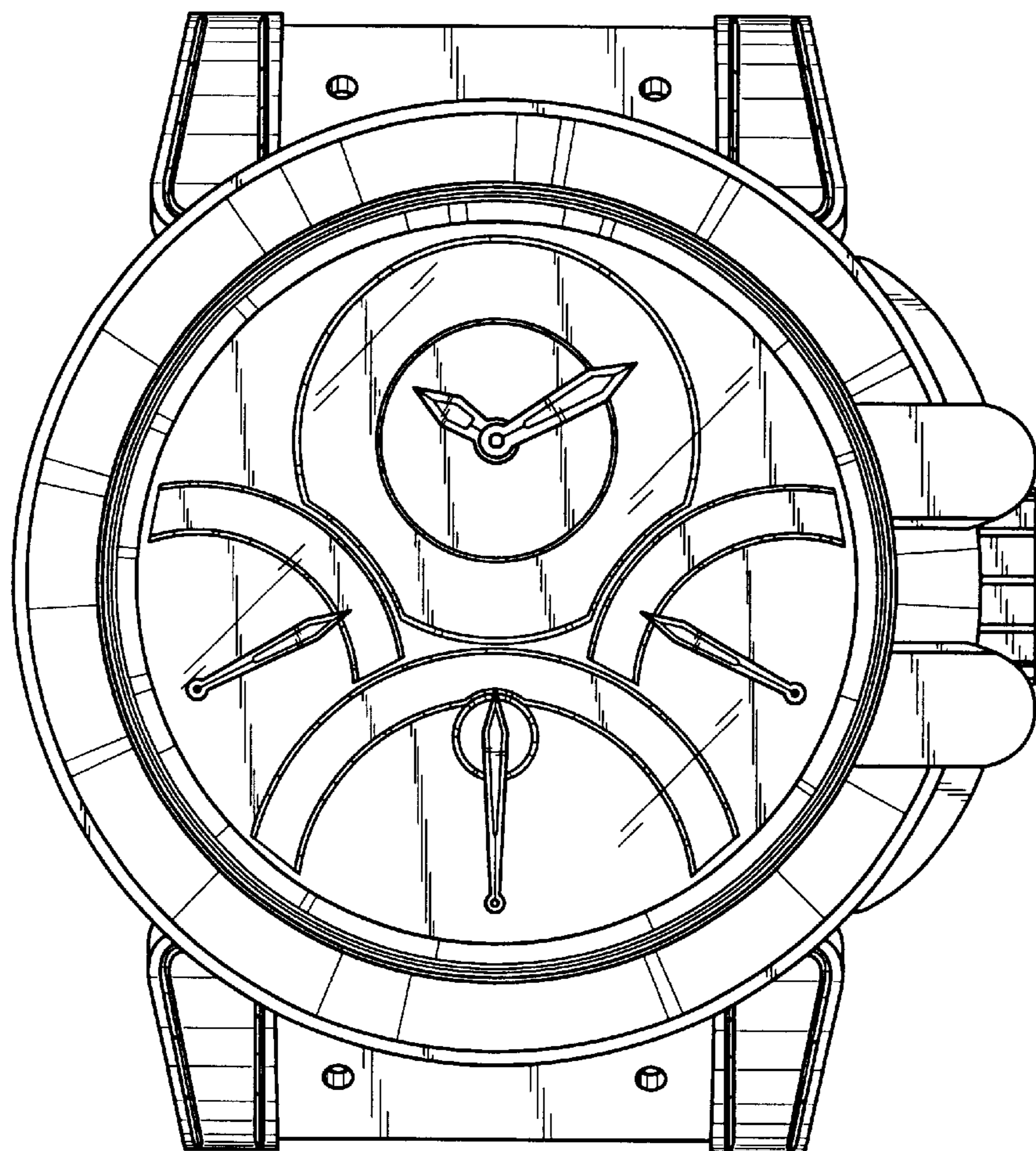
FIG. 1 is a perspective view of the front, bottom and right side of a wristwatch showing my new design;
FIG. 2 is a front elevational view thereof;
FIG. 3 is a rear elevational view thereof;
FIG. 4 is a right side elevational view thereof;
FIG. 5 is a left side elevational view thereof;
FIG. 6 is a top plan view thereof; and,
FIG. 7 is a bottom plan view thereof.

(56) **References Cited**

U.S. PATENT DOCUMENTS

D323,784 S * 2/1992 Gueit D10/32
5,235,562 A * 8/1993 Vaucher 368/28

1 Claim, 5 Drawing Sheets



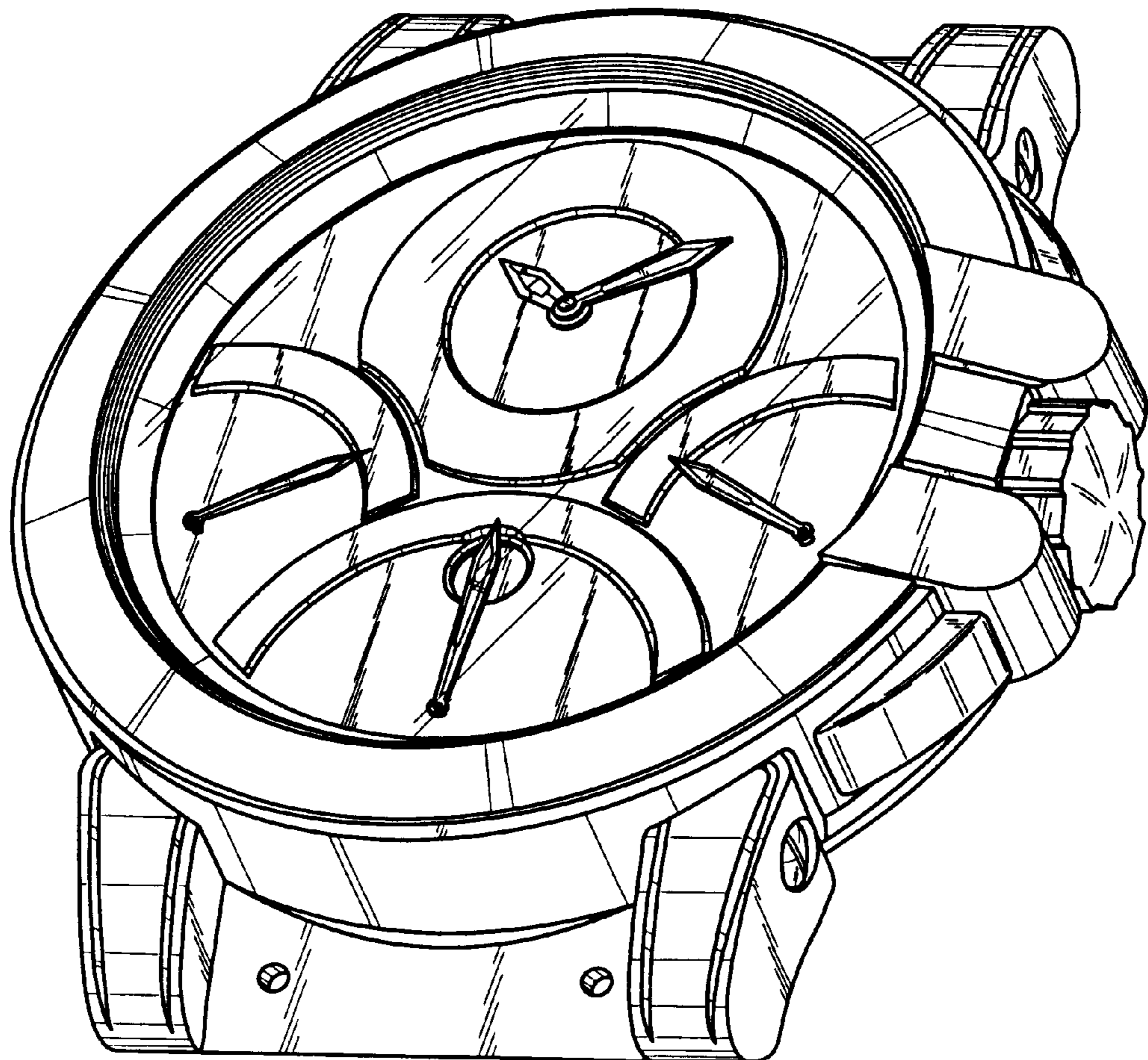


Fig. 1

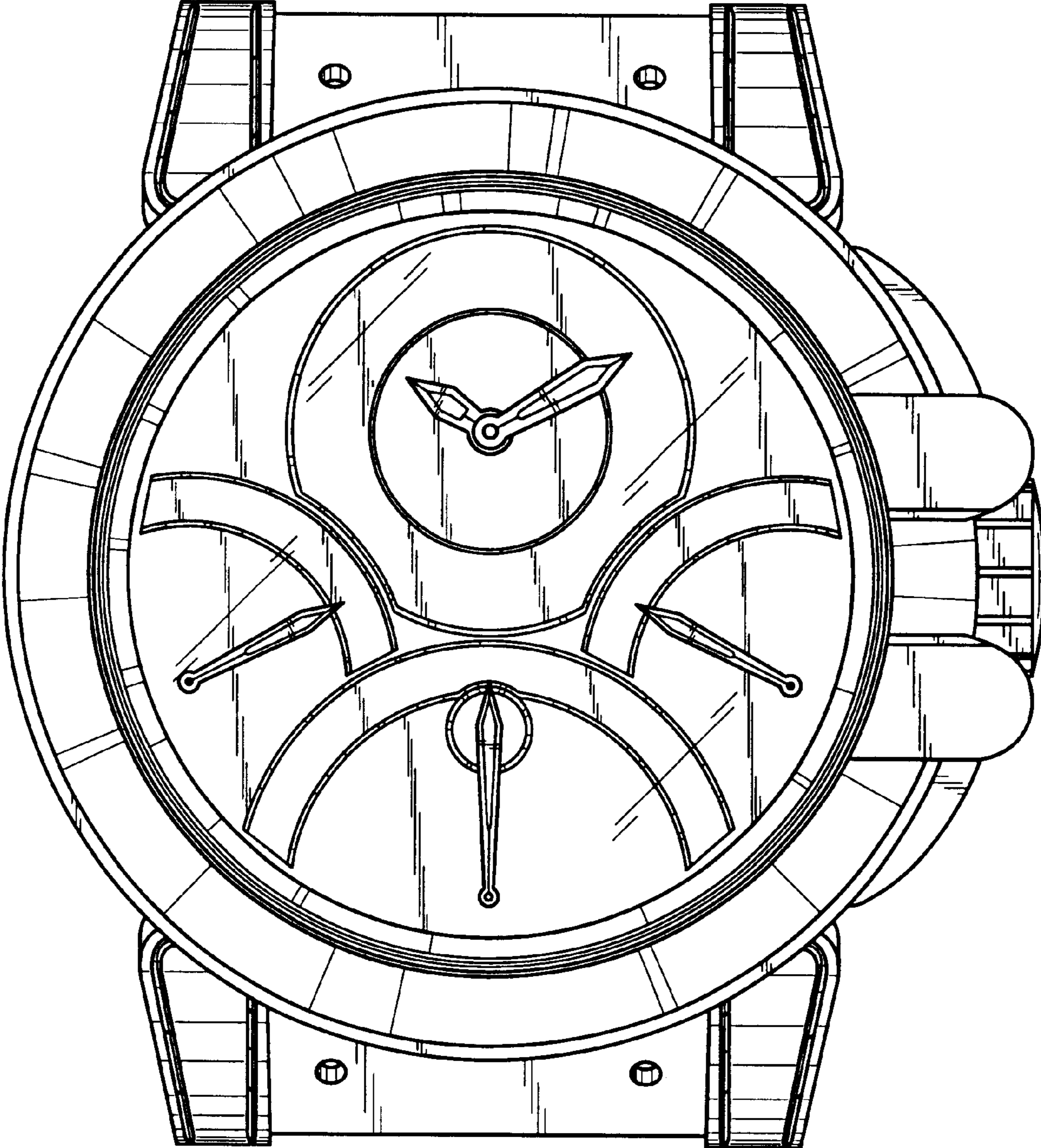


Fig. 2

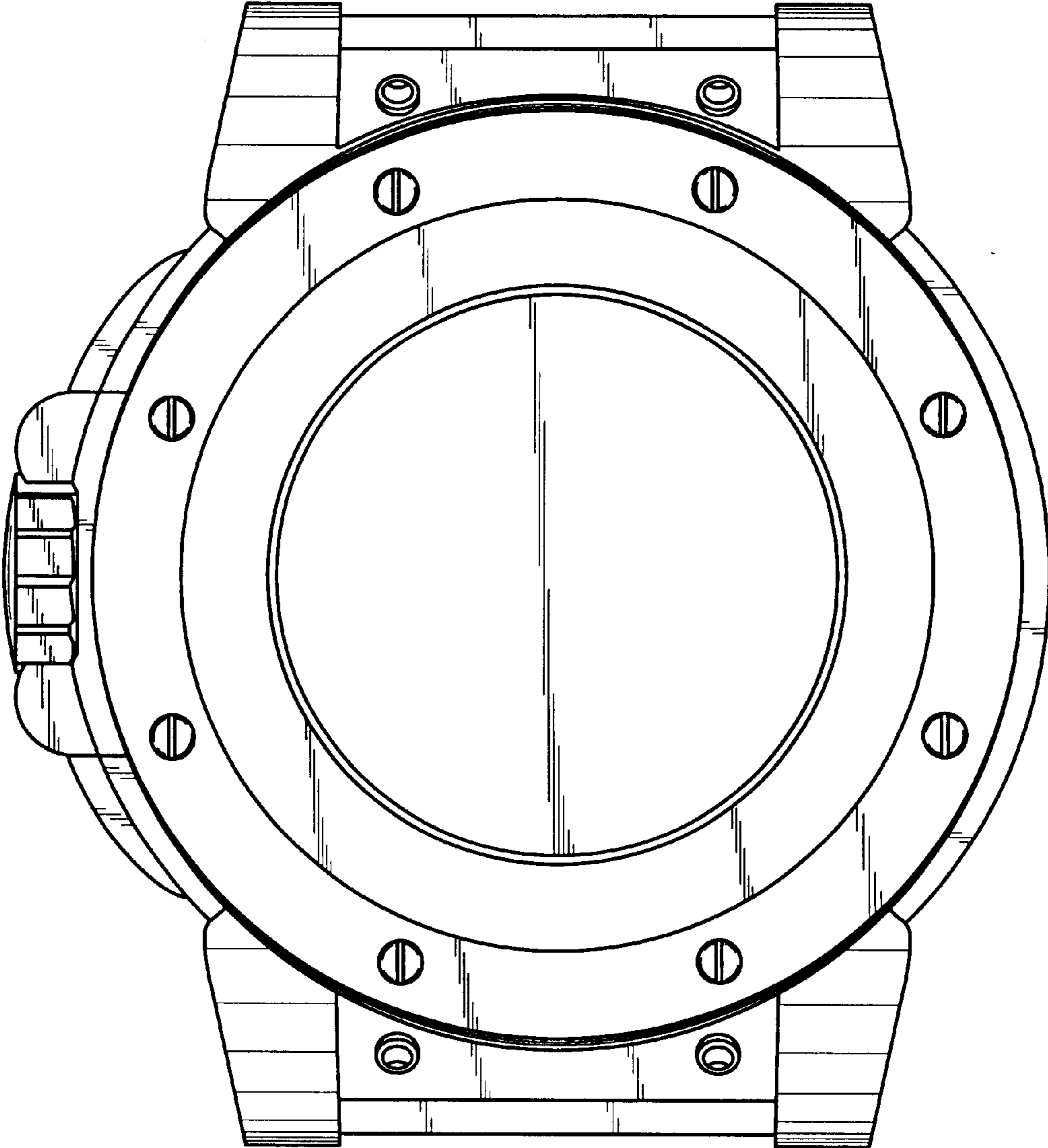


Fig. 3

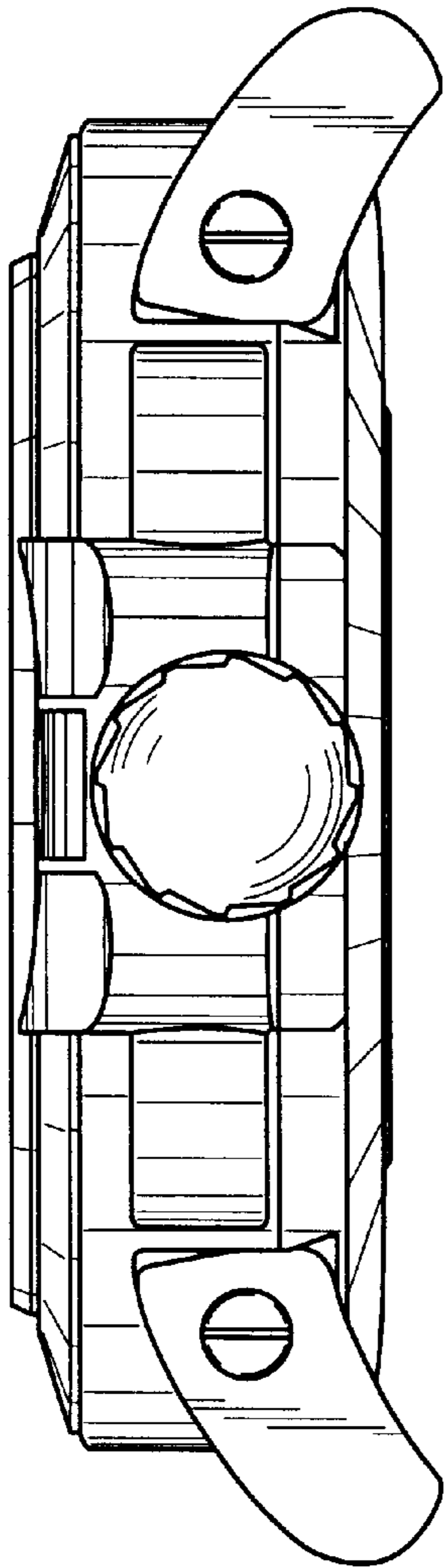


Fig. 4

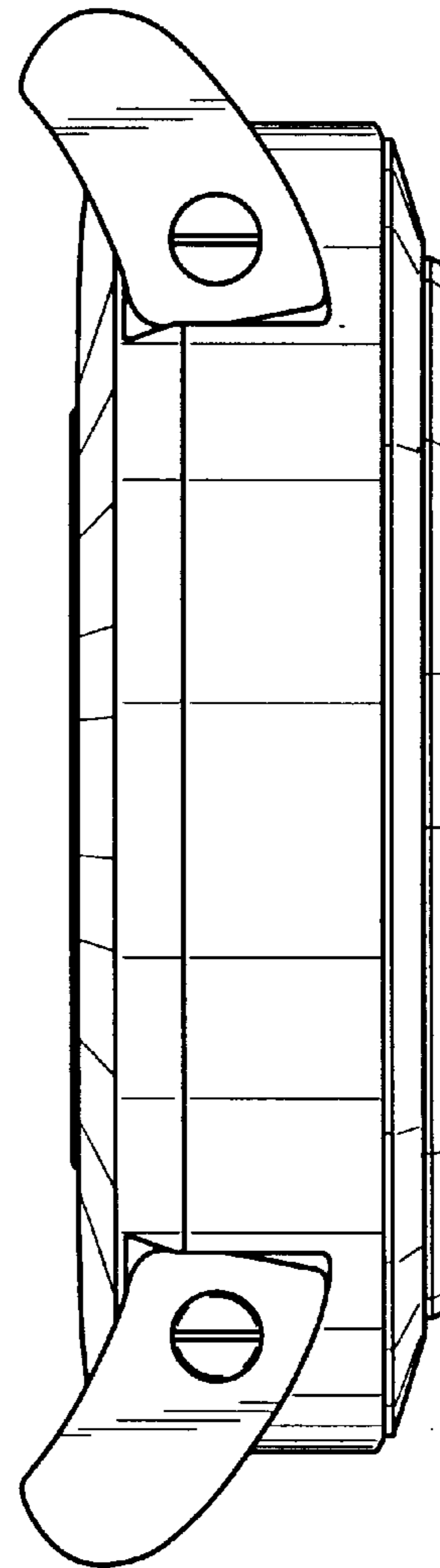


Fig. 5

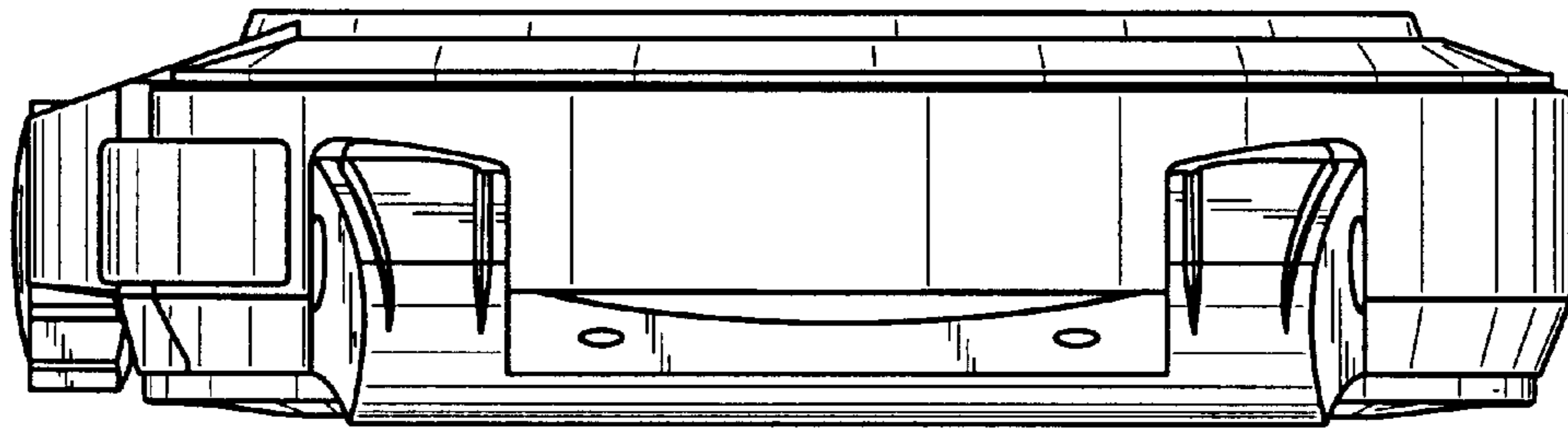


Fig. 6

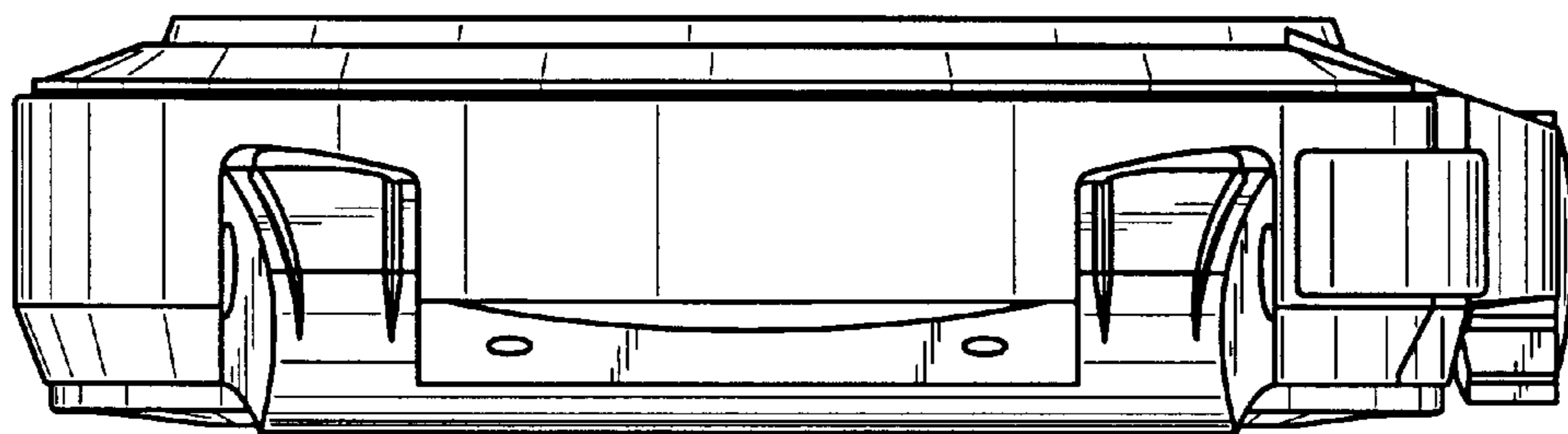


Fig. 7