

US00D508859S

(12) **United States Design Patent** (10) **Patent No.:** **US D508,859 S**
Ho (45) **Date of Patent:** **** Aug. 30, 2005**

(54) **WATCH CASE**

(75) **Inventor:** **Chun Ho, Kowloon (HK)**

(73) **Assignee:** **New Heritage Limited, Hung Hom Kln. (HK)**

(**) **Term:** **14 Years**

(21) **Appl. No.:** **29/212,939**

(22) **Filed:** **Sep. 10, 2004**

(51) **LOC (8) Cl. 10-02**

(52) **U.S. Cl. D10/30**

(58) **Field of Search** D10/1-40, 122-132;
368/280-282, 276-277, 285, 294-295

(56) **References Cited**

U.S. PATENT DOCUMENTS

| | | | | | |
|------------|---|---------|-----------|-------|--------|
| D157,607 S | * | 3/1950 | Lachman | | D10/38 |
| D300,513 S | * | 4/1989 | Tsukahara | | D10/30 |
| D358,777 S | * | 5/1995 | Polenberg | | D10/39 |
| D378,355 S | * | 3/1997 | Charriol | | D10/30 |
| D434,987 S | * | 12/2000 | Versace | | D10/30 |
| D447,063 S | * | 8/2001 | Scheufele | | D10/30 |
| D464,574 S | * | 10/2002 | Gradel | | D10/30 |

OTHER PUBLICATIONS

Jeweler's Circular—Keystone—Apr. 1988—p. 87—watch at bottom—center.*

* cited by examiner

Primary Examiner—Nelson C. Holtje

(74) *Attorney, Agent, or Firm*—Thomas I. Rozsa; Tony D. Chen

(57) **CLAIM**

The ornamental design for a watch case, as shown and described.

DESCRIPTION

FIG. 1 is a perspective view of a watch case, showing my new design;

FIG. 2 is a top plan view;

FIG. 3 is a bottom plan view;

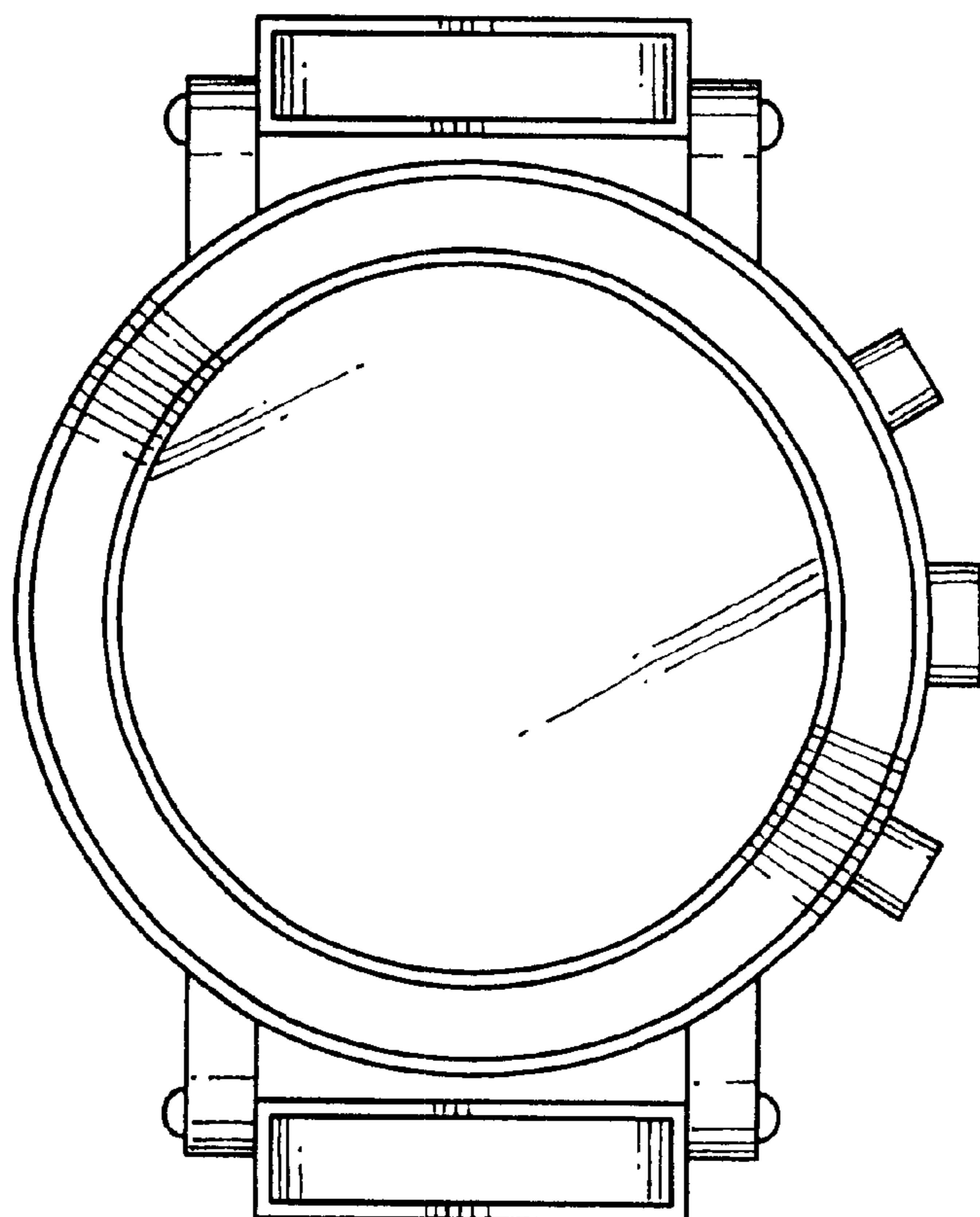
FIG. 4 is a side elevational view when viewed from the right side;

FIG. 5 is a side elevational view when viewed from the left side;

FIG. 6 is a top plan view; and,

FIG. 7 is a bottom plan view, showing my new design.

1 Claim, 2 Drawing Sheets



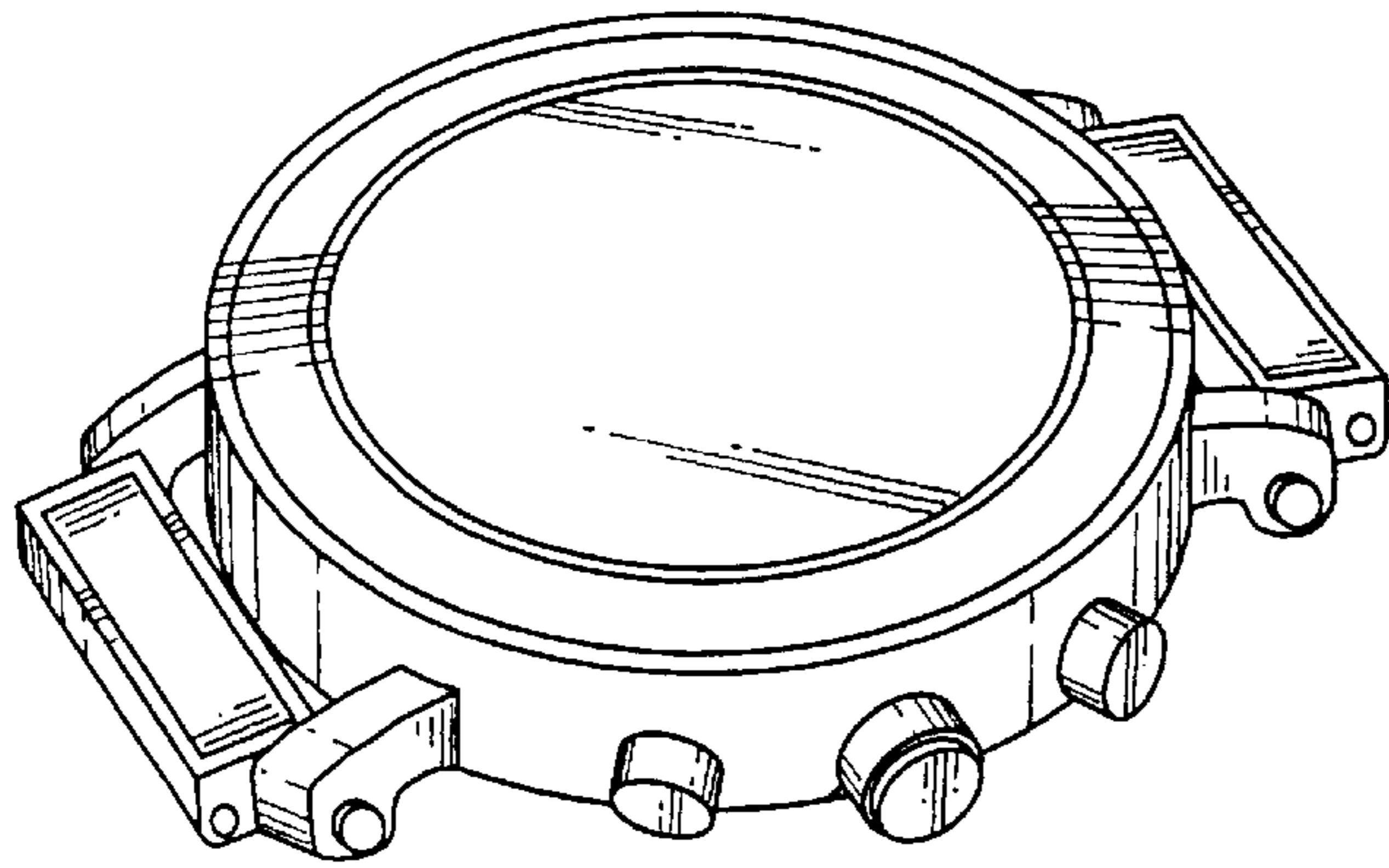


FIG. 1

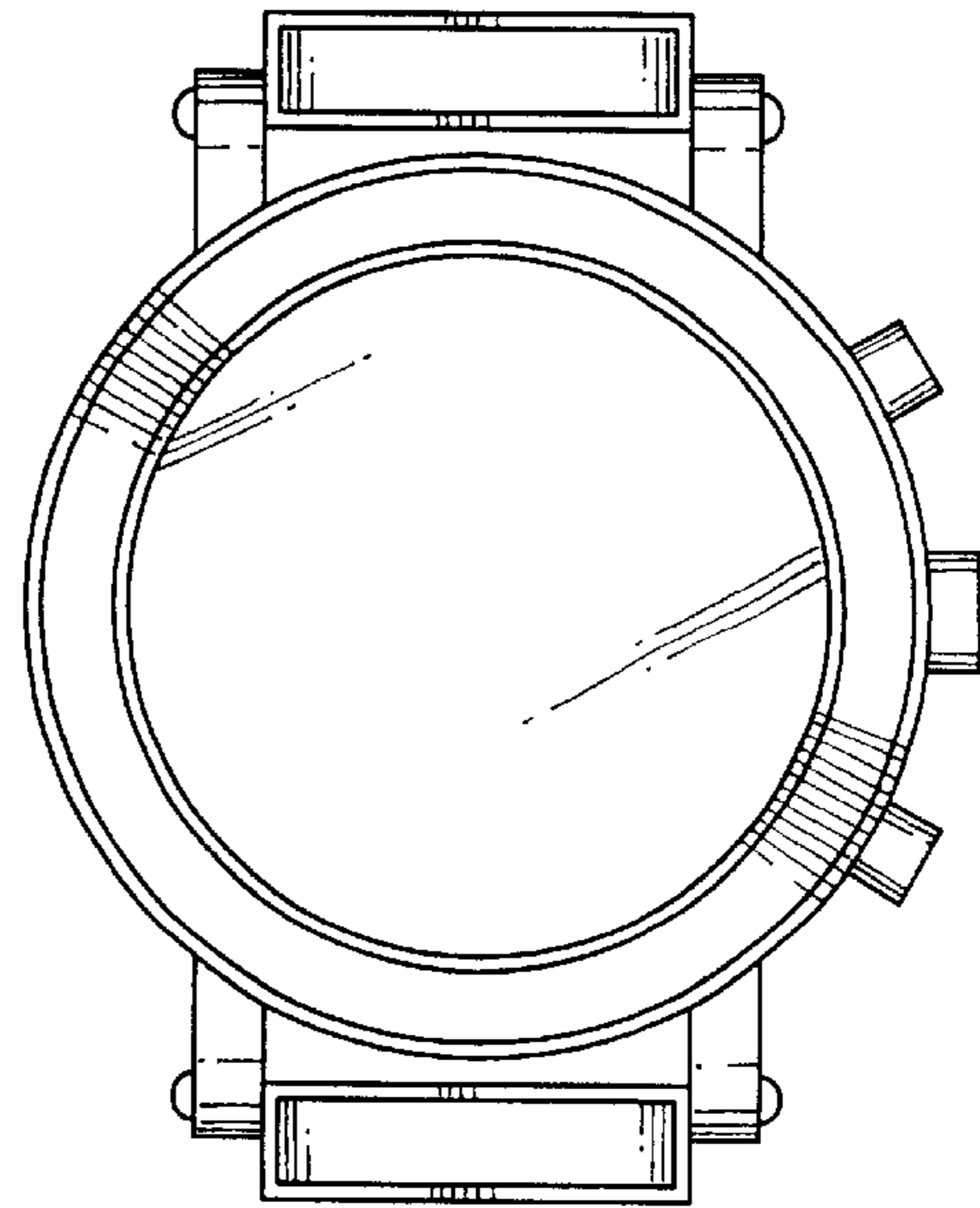


FIG. 2

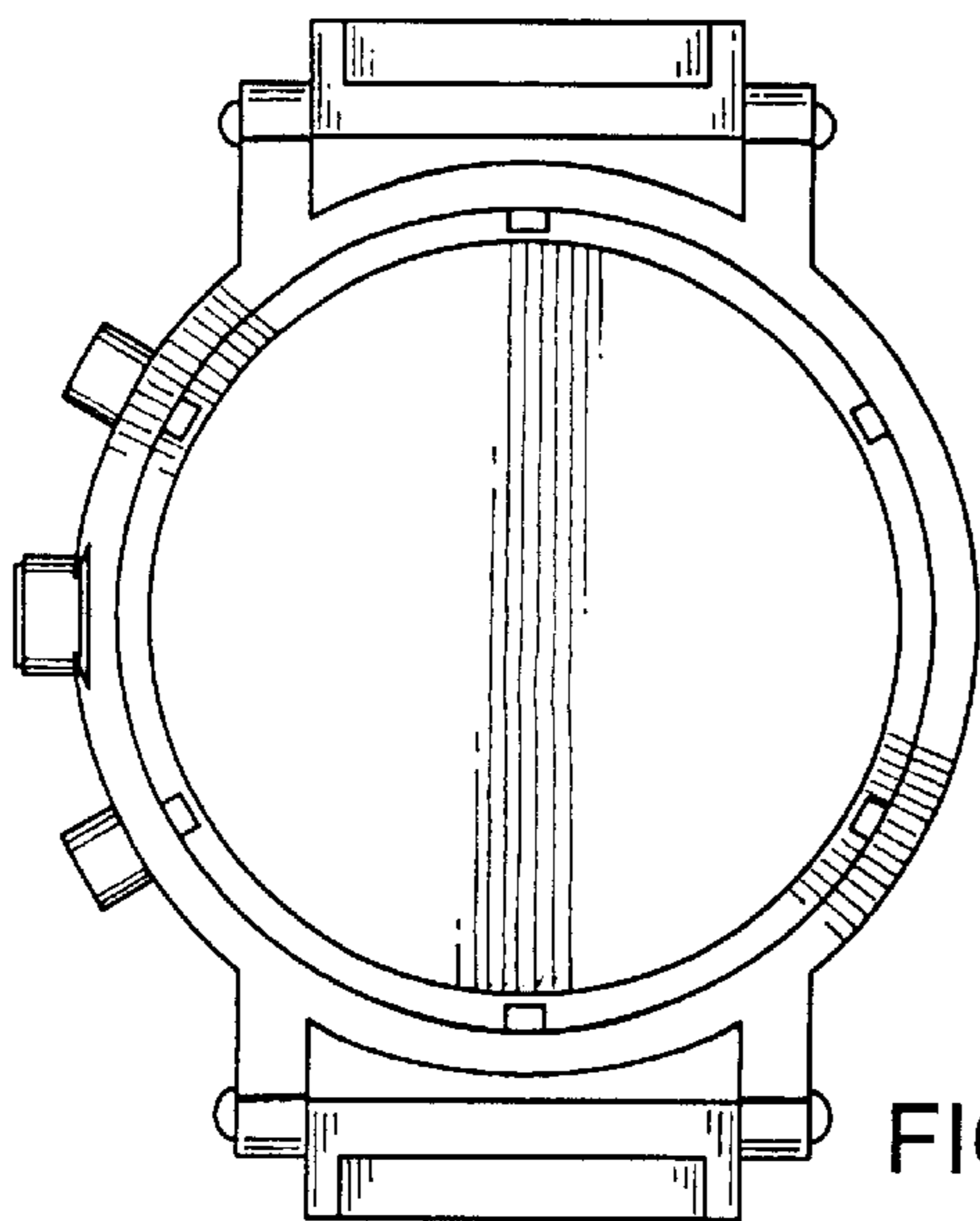


FIG. 3

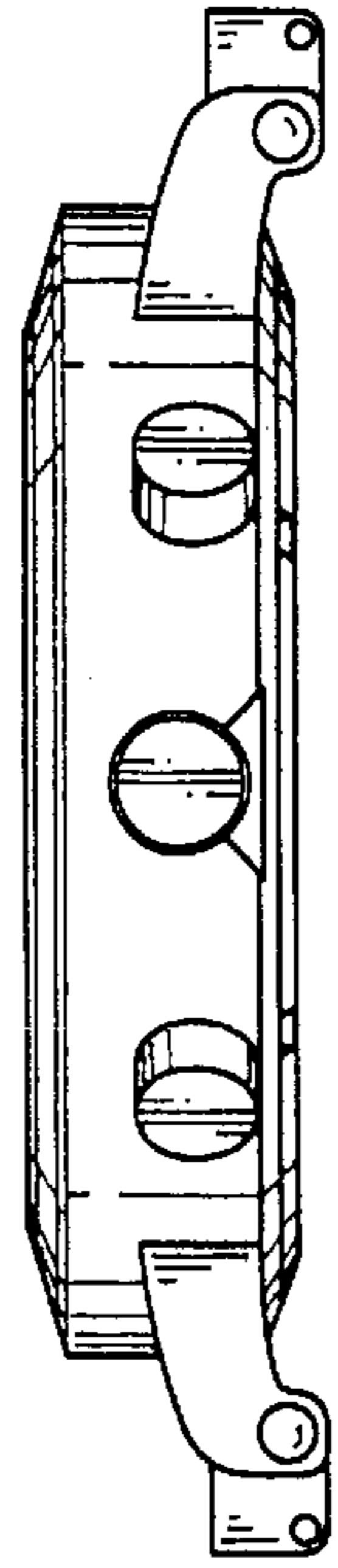


FIG. 4

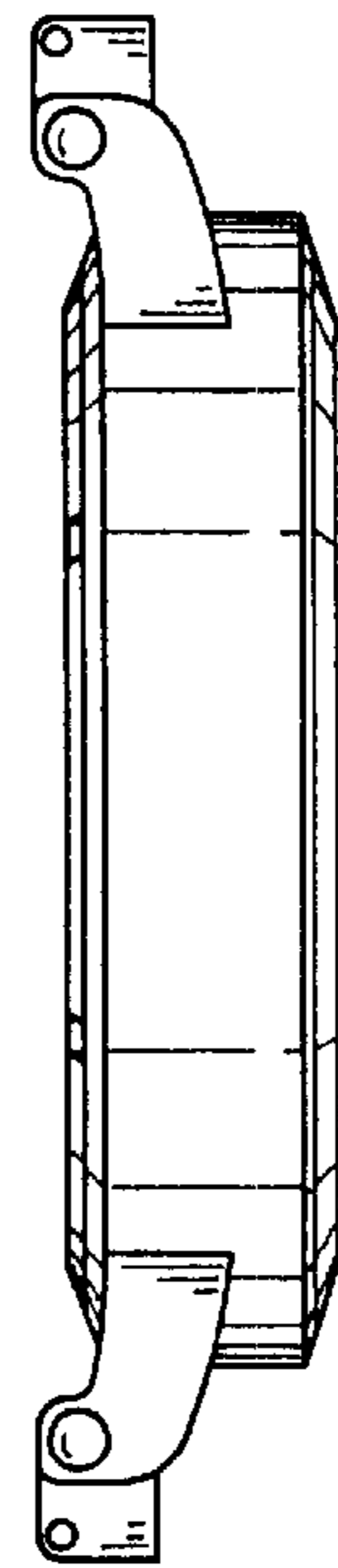


FIG. 5

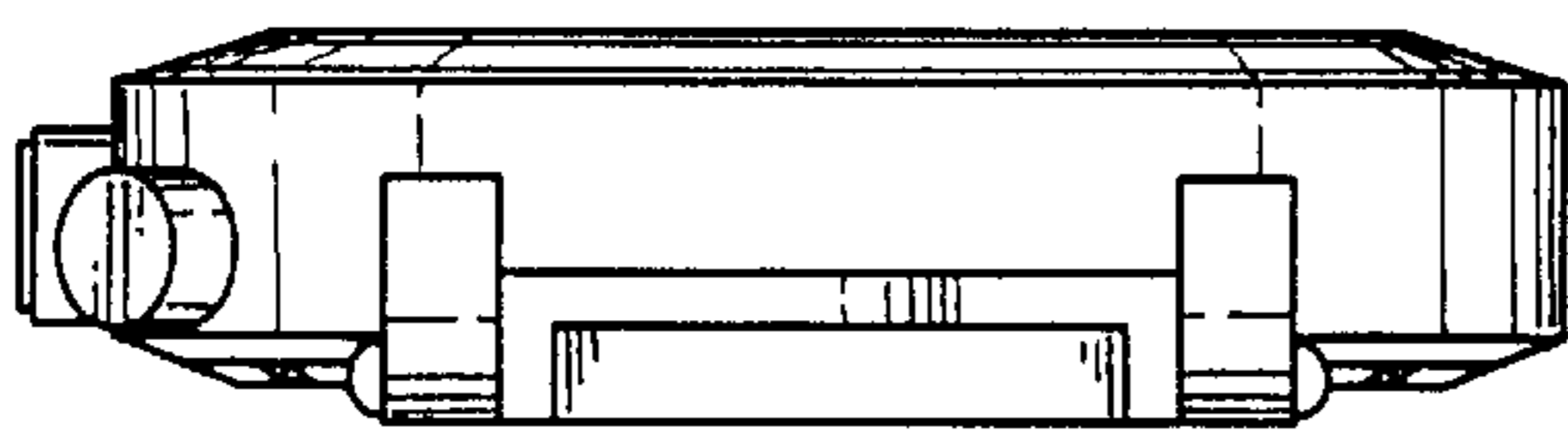


FIG. 6

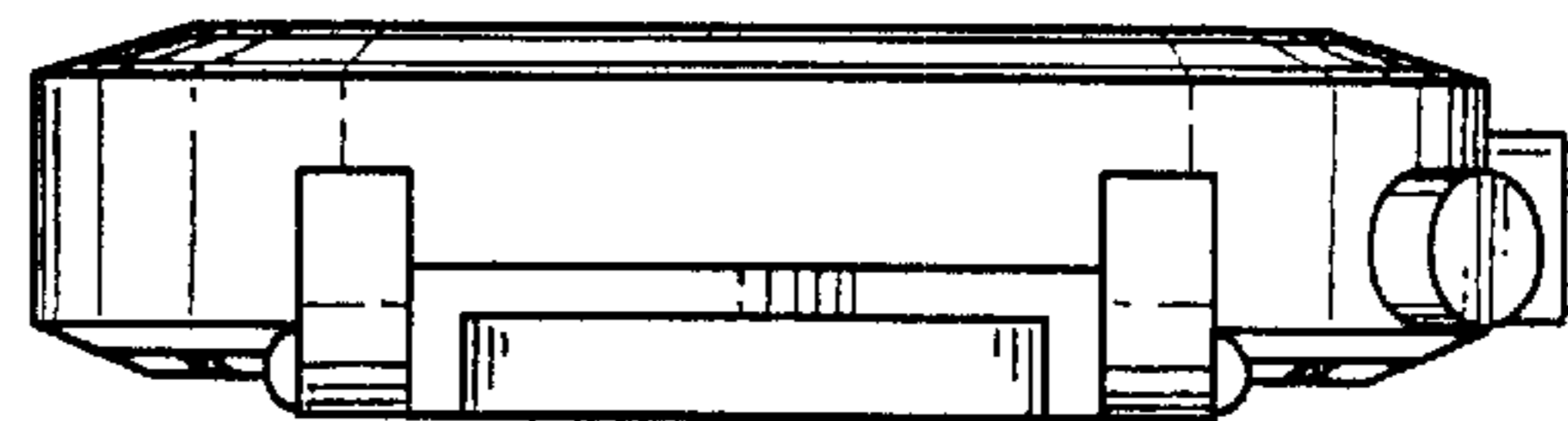


FIG. 7