

US00D508853S

(12) **United States Design Patent**
Ziegenhorn et al.

(10) **Patent No.:** **US D508,853 S**

(45) **Date of Patent:** **** Aug. 30, 2005**

(54) **CHILD-RESISTANT CLOSURE**
(75) Inventors: **David Ziegenhorn**, Grayslake, IL (US);
Robert A. Simpson, Grayslake, IL (US)
(73) Assignee: **Crown Packaging Technology, Inc.**,
Alsip, IL (US)

5,579,957 A * 12/1996 Gentile et al. 222/556
5,779,072 A 7/1998 Krebs
6,116,477 A * 9/2000 Kreiseder et al. 222/556
D434,659 S * 12/2000 Lonczak et al. D9/449
6,330,959 B1 12/2001 Dark
6,484,895 B2 11/2002 Montgomery et al.

(**) Term: **14 Years**

FOREIGN PATENT DOCUMENTS

WO WO 97/37900 10/1997

(21) Appl. No.: **29/211,123**
(22) Filed: **Aug. 11, 2004**

* cited by examiner

(51) **LOC (8) Cl.** **09-07**
(52) **U.S. Cl.** **D9/449**
(58) **Field of Search** D9/759, 751, 741,
D9/739, 737, 515, 499, 454, 453, 434,
446-450, 439-440, 435, 436; D7/398, 392;
383/80; 222/575, 566, 556, 553, 544-546,
491; 215/237

Primary Examiner—Robert M. Spear
Assistant Examiner—Susan Bennett Hattan
(74) *Attorney, Agent, or Firm*—Knoble Yoshida &
Dunleavy, LLC

(57) **CLAIM**

The ornamental design for a “child-resistant closure,” as shown and described.

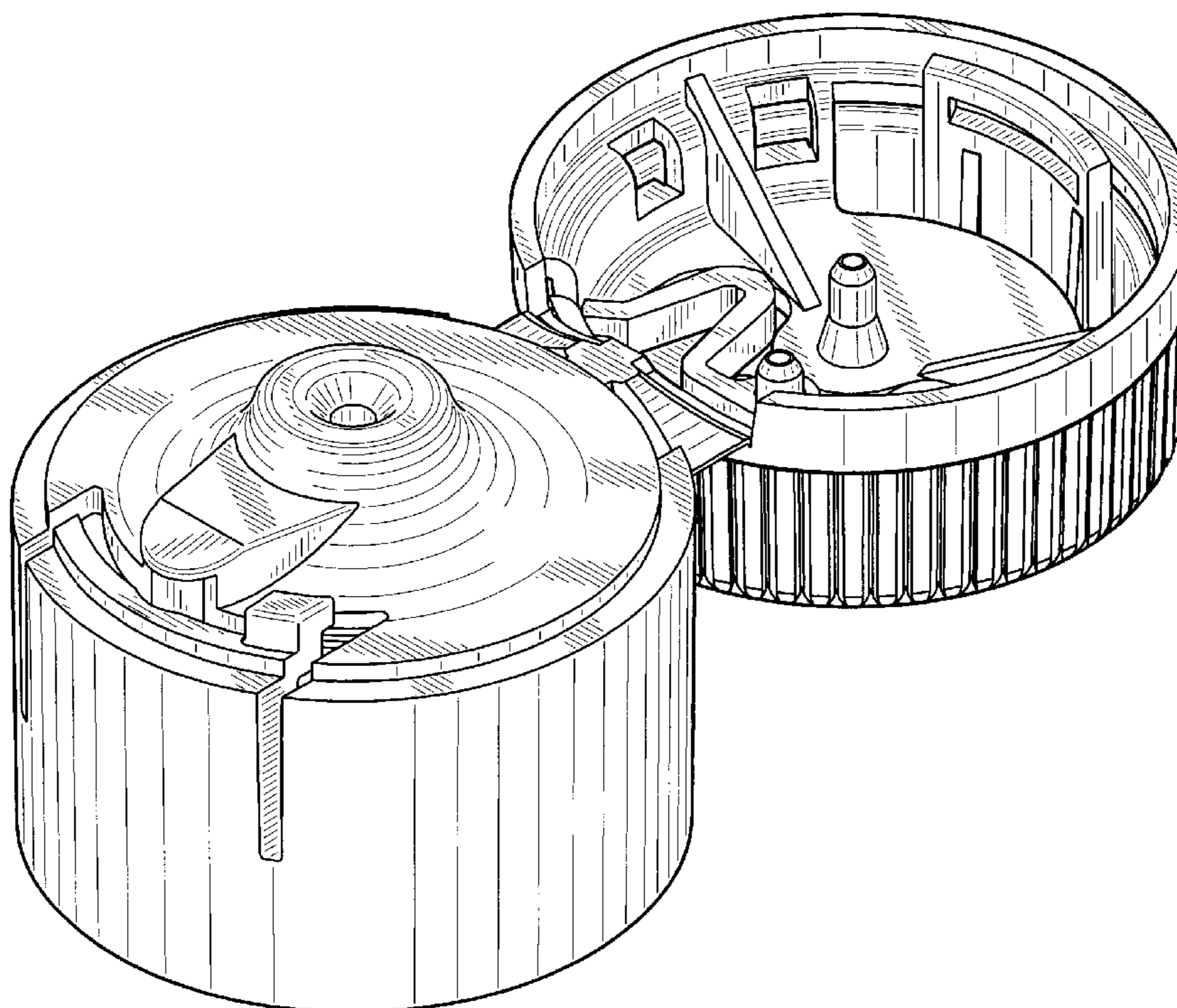
(56) **References Cited**
U.S. PATENT DOCUMENTS

DESCRIPTION

3,623,622 A 11/1971 Sullivan
3,627,160 A 12/1971 Horvath
4,002,275 A 1/1977 Crowle et al.
5,097,974 A 3/1992 Rozenberg
D350,482 S * 9/1994 Hu et al. D9/448
5,533,649 A 7/1996 Von Shuckmann
D374,399 S * 10/1996 Neveras et al. D9/447

FIG. 1 is a perspective view showing our new design;
FIG. 2 is a first side elevational view;
FIG. 3 is a second side elevational view;
FIG. 4 is a front elevational view;
FIG. 5 is a rear elevational view;
FIG. 6 is a top plan view; and,
FIG. 7 is a bottom plan view.

1 Claim, 7 Drawing Sheets



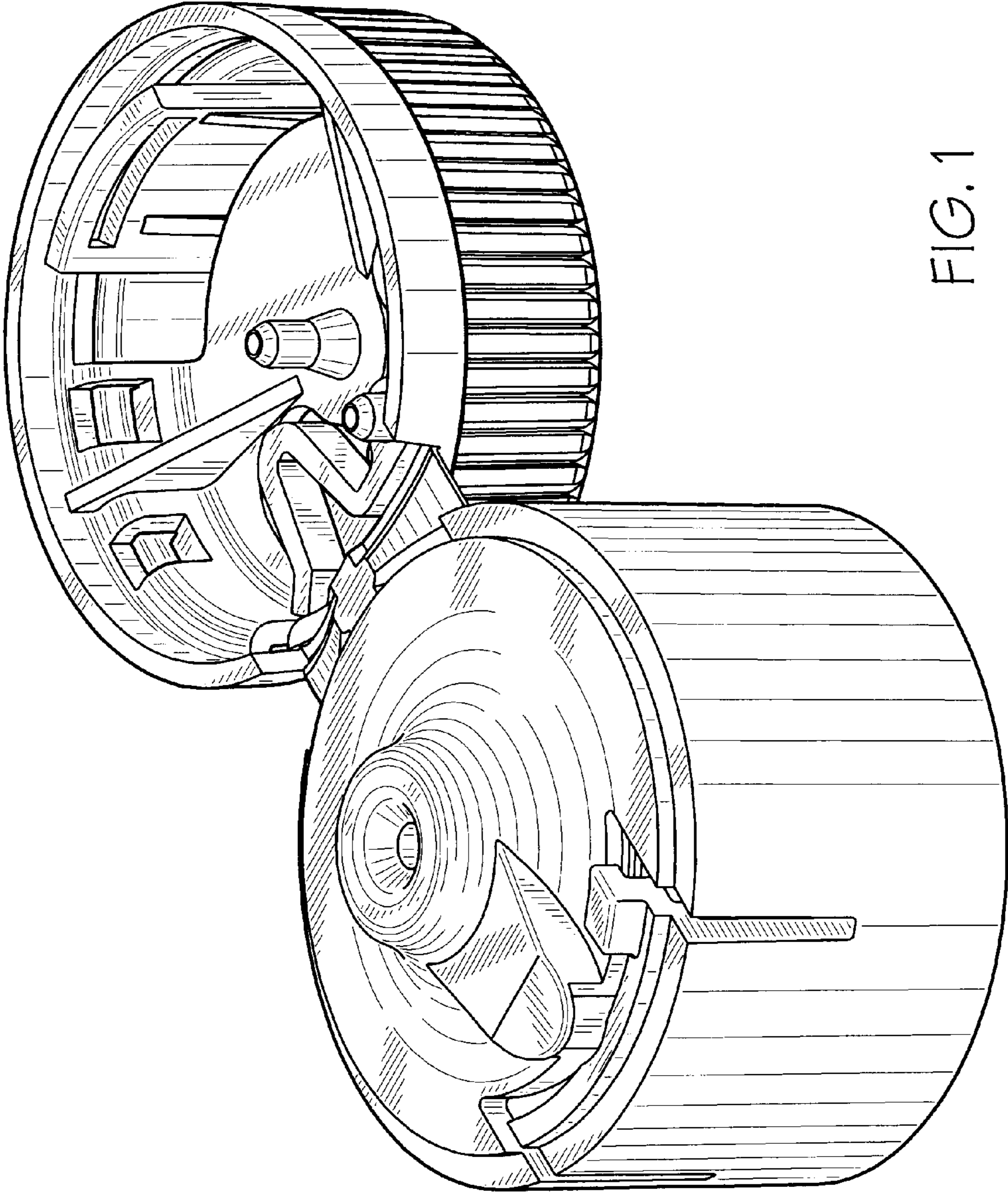


FIG. 1

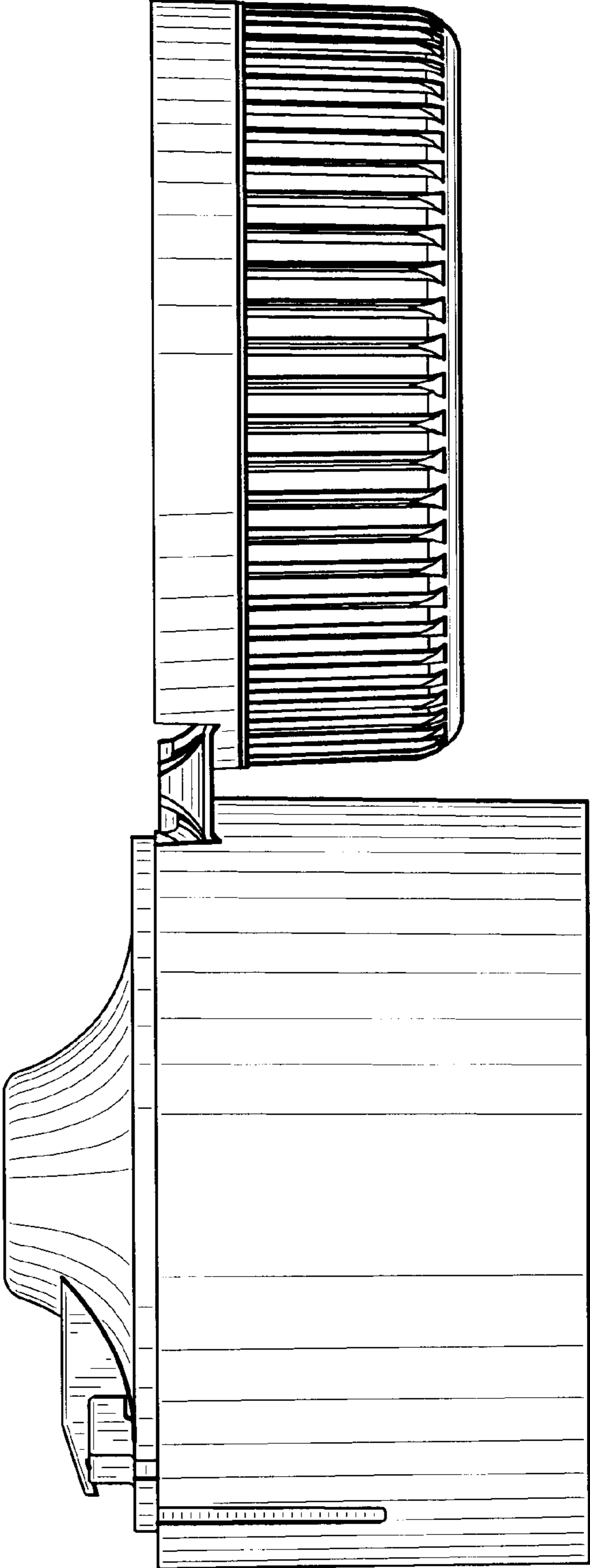


FIG. 2

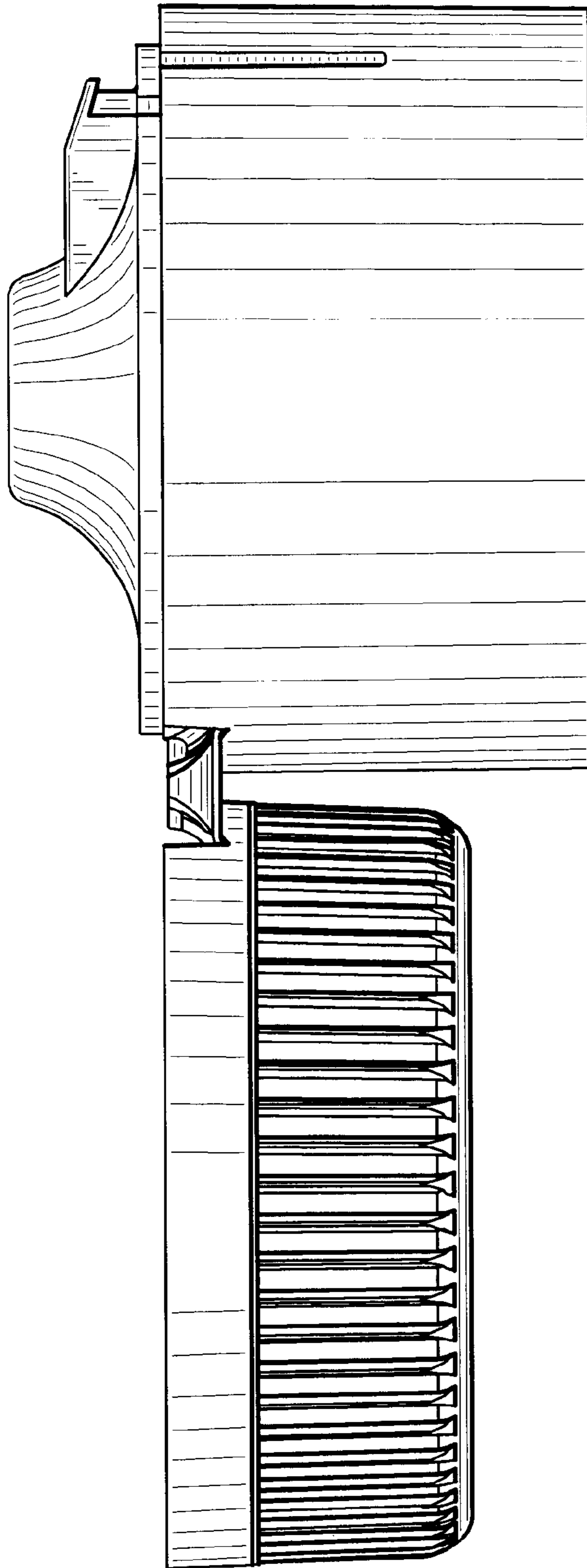


FIG. 3

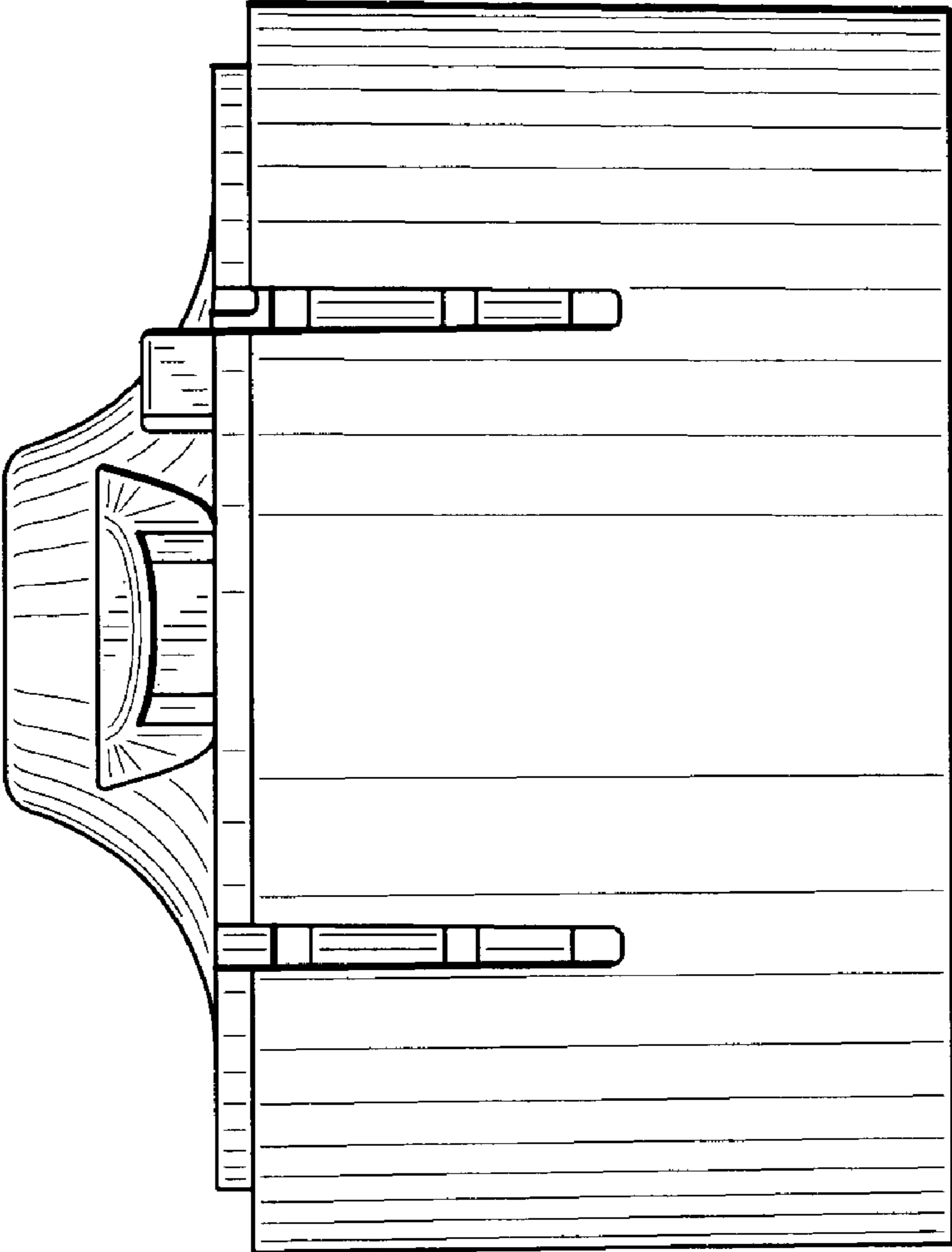


FIG. 4

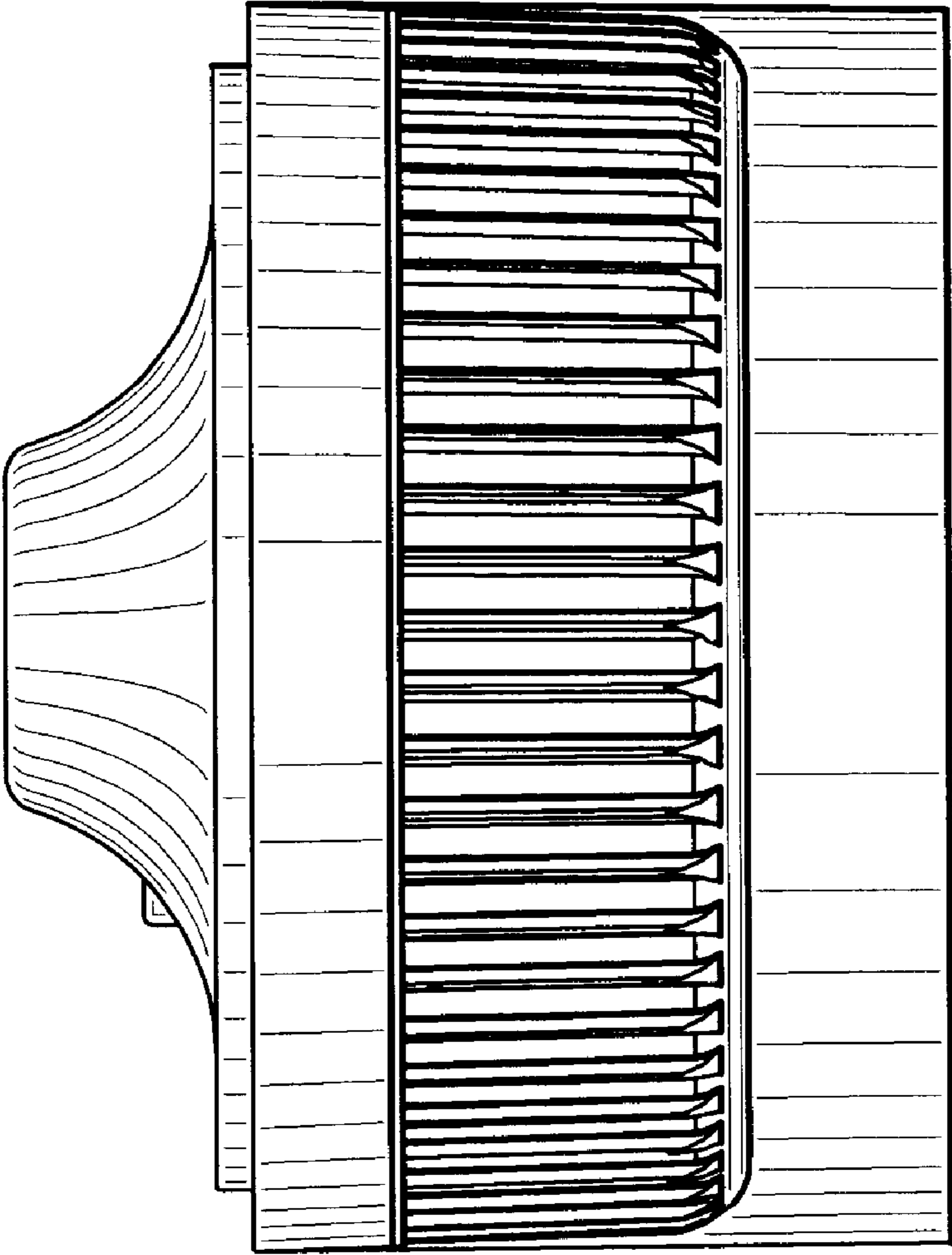


FIG. 5

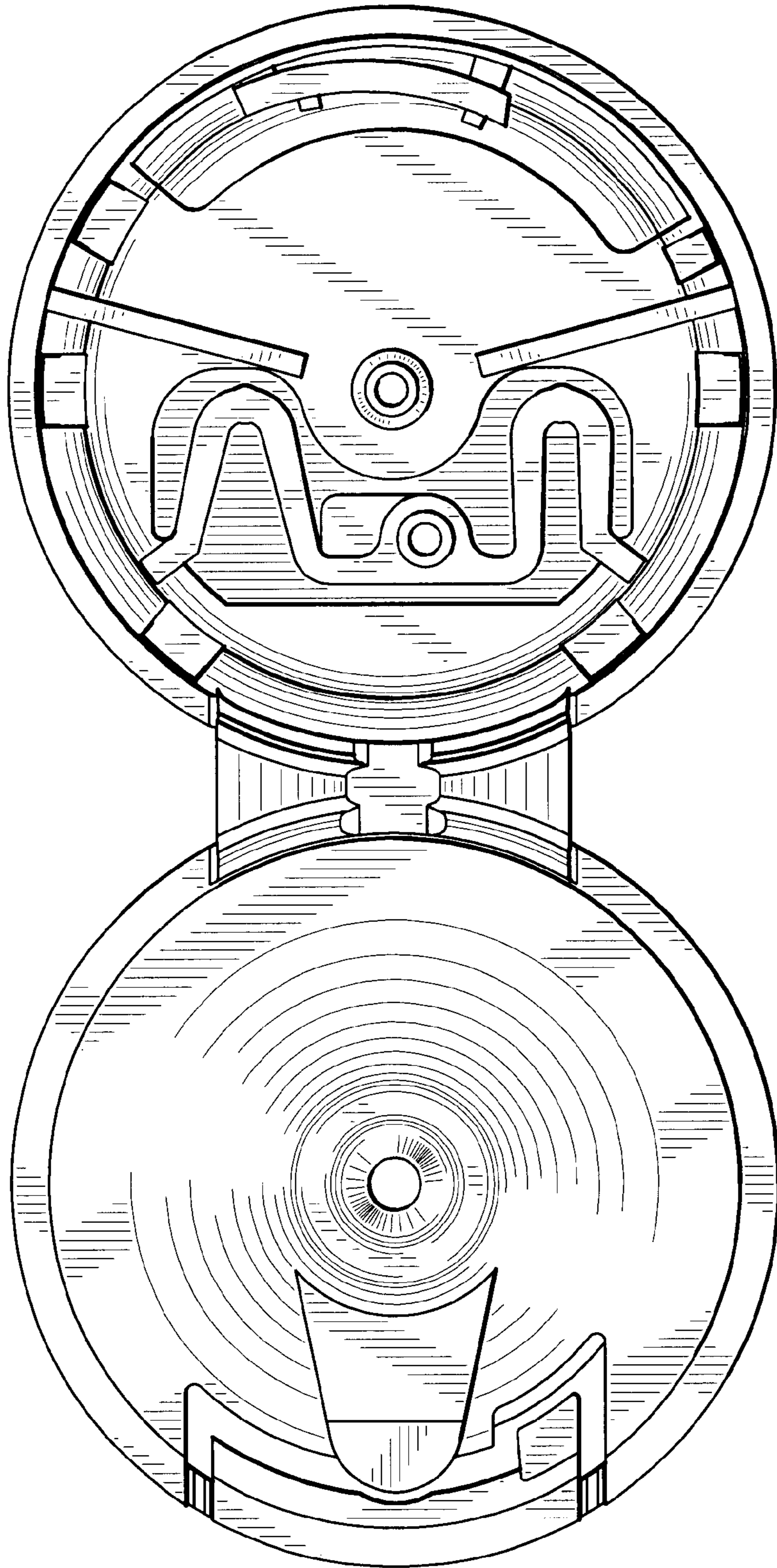


FIG. 6

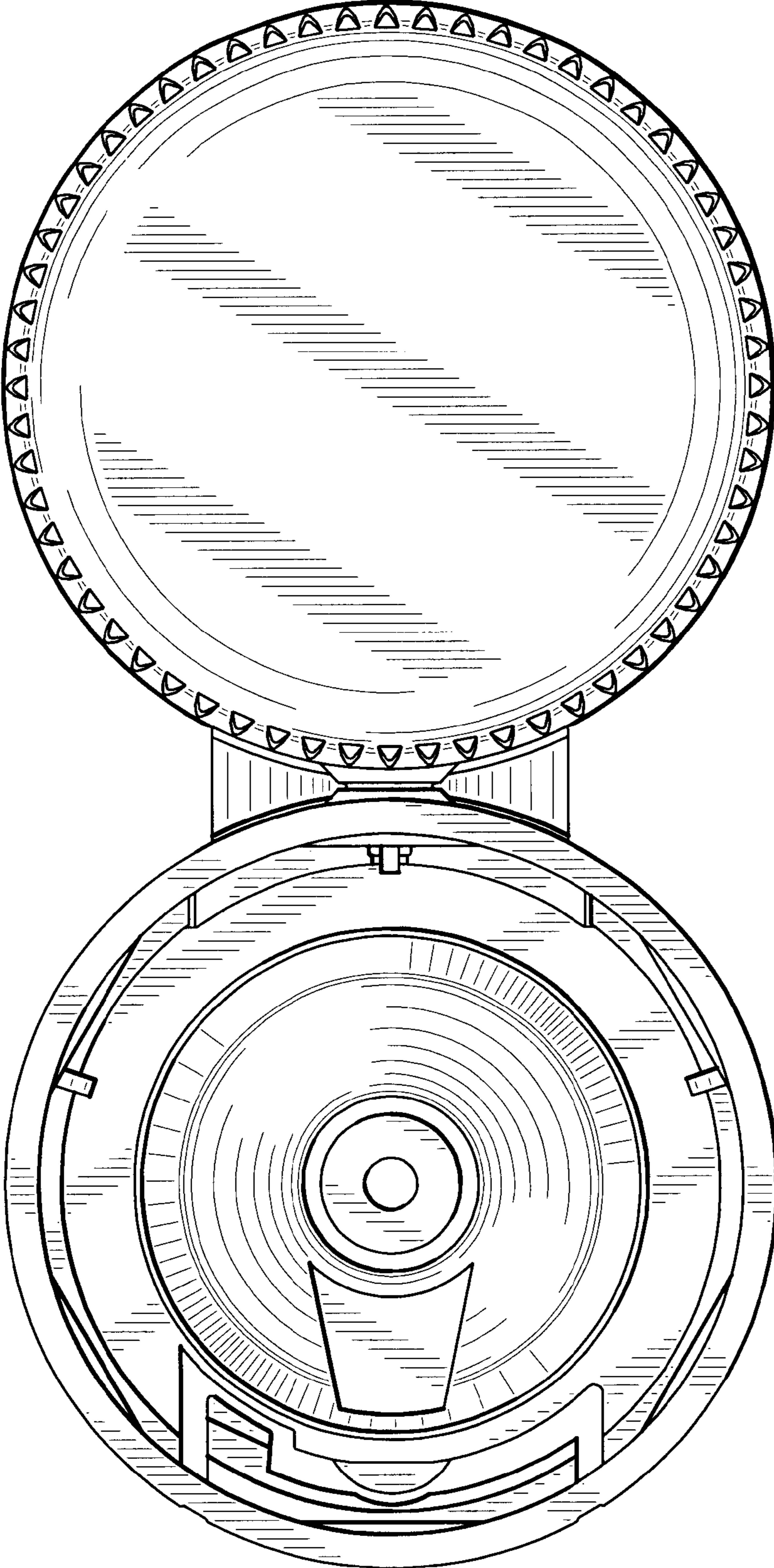


FIG. 7