

US00D508848S

(12) **United States Design Patent**
Rustioni

(10) **Patent No.: US D508,848 S**

(45) **Date of Patent: ** Aug. 30, 2005**

(54) **WATCH CASE**

(75) **Inventor: Alessandro Rustioni, Vallina-Bagno a Ripoli (IT)**

(73) **Assignee: Underwood S.A., le Mont-sur-Lausanne (CH)**

(**) **Term: 14 Years**

(21) **Appl. No.: 29/207,983**

(22) **Filed: Jun. 22, 2004**

(30) **Foreign Application Priority Data**

Mar. 10, 2004 (CH) 130466

(51) **LOC (8) Cl. 09-07**

(52) **U.S. Cl. D9/422**

(58) **Field of Search** D9/414, 422, 428,
D9/455, 424; 206/301, 6.1, 566, 45.2, 45.23,
822, 756-766, 45.25, 487, 459.1, 828;
224/903

(56) **References Cited**

U.S. PATENT DOCUMENTS

- D240,203 S * 6/1976 Frudeger et al. D9/422
- 4,005,775 A * 2/1977 Crosslen 206/6.1
- 4,216,858 A * 8/1980 Beauchamp 206/759
- 4,830,181 A * 5/1989 Hartman 206/765
- D349,553 S * 8/1994 Au D9/422
- D357,858 S * 5/1995 Dikowitz D9/422

- 5,579,906 A * 12/1996 Fabbri et al. 206/301
- D432,416 S * 10/2000 Fai Au et al. D9/422
- D433,326 S * 11/2000 Srinaul D9/420
- D463,979 S 10/2002 Rustioni
- D478,811 S * 8/2003 Huang D9/422
- D490,082 S * 5/2004 Lenaerts D14/439

* cited by examiner

Primary Examiner—Prabhakar Deshmukh

(74) *Attorney, Agent, or Firm*—Hughes Hubbard & Reed LLP; Peter A. Sullivan; Douglas D. Zhang

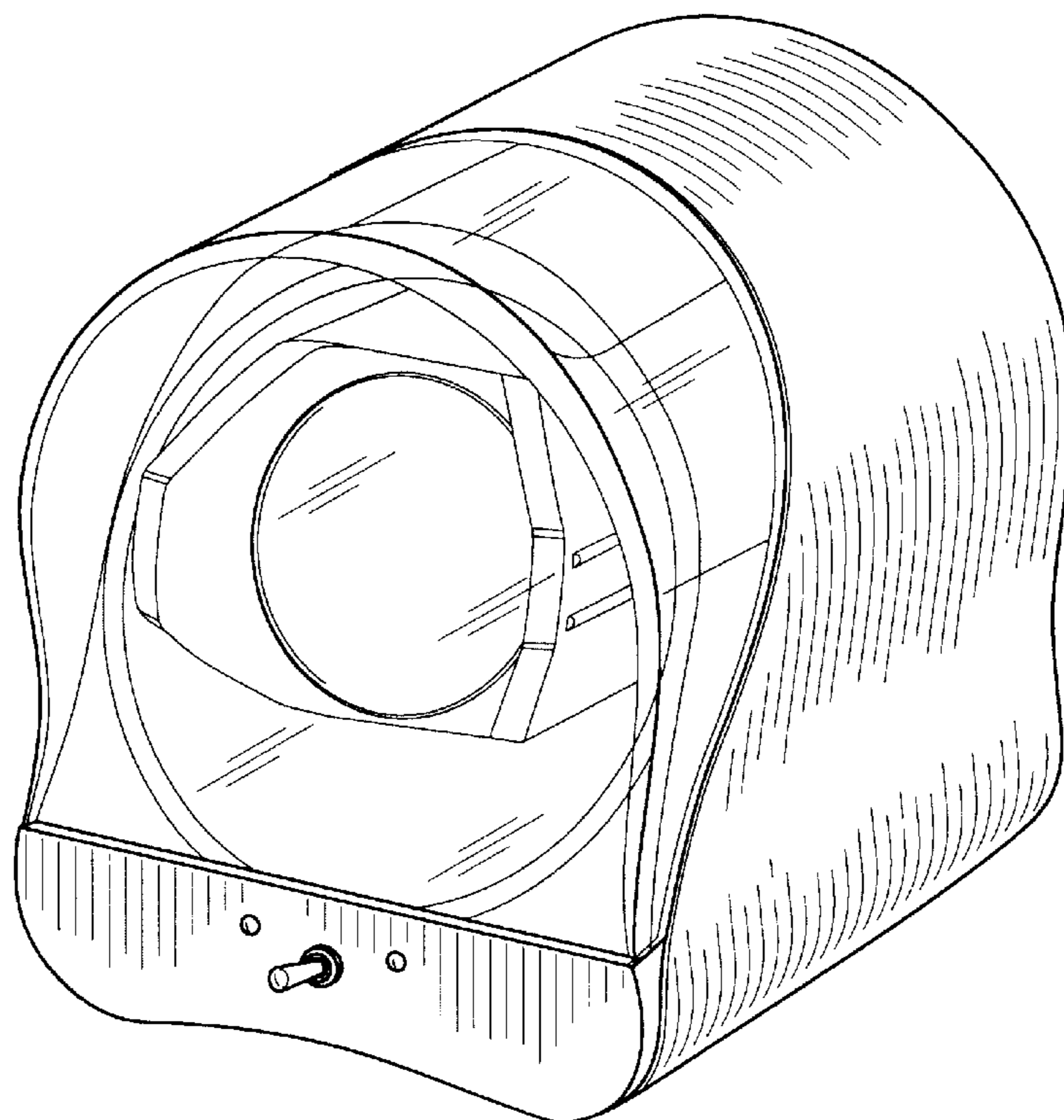
(57) **CLAIM**

The ornamental design for a watch case, as shown and described.

DESCRIPTION

FIG. 1 is a perspective view of a watch case showing my new design, with its pivoted cover in a closed position; FIG. 2 is a front elevational view thereof, with the pivoted cover in an open position; FIG. 3 is a back elevational view thereof; FIG. 4 is a left side elevational view thereof, the right side elevational view being a mirror image of the left side elevational view; FIG. 5 is a top plan view thereof; and, FIG. 6 is a bottom plan view thereof. The broken lines in FIGS. 3-6 are for illustrative purposes only and form no part of the claimed design.

1 Claim, 3 Drawing Sheets



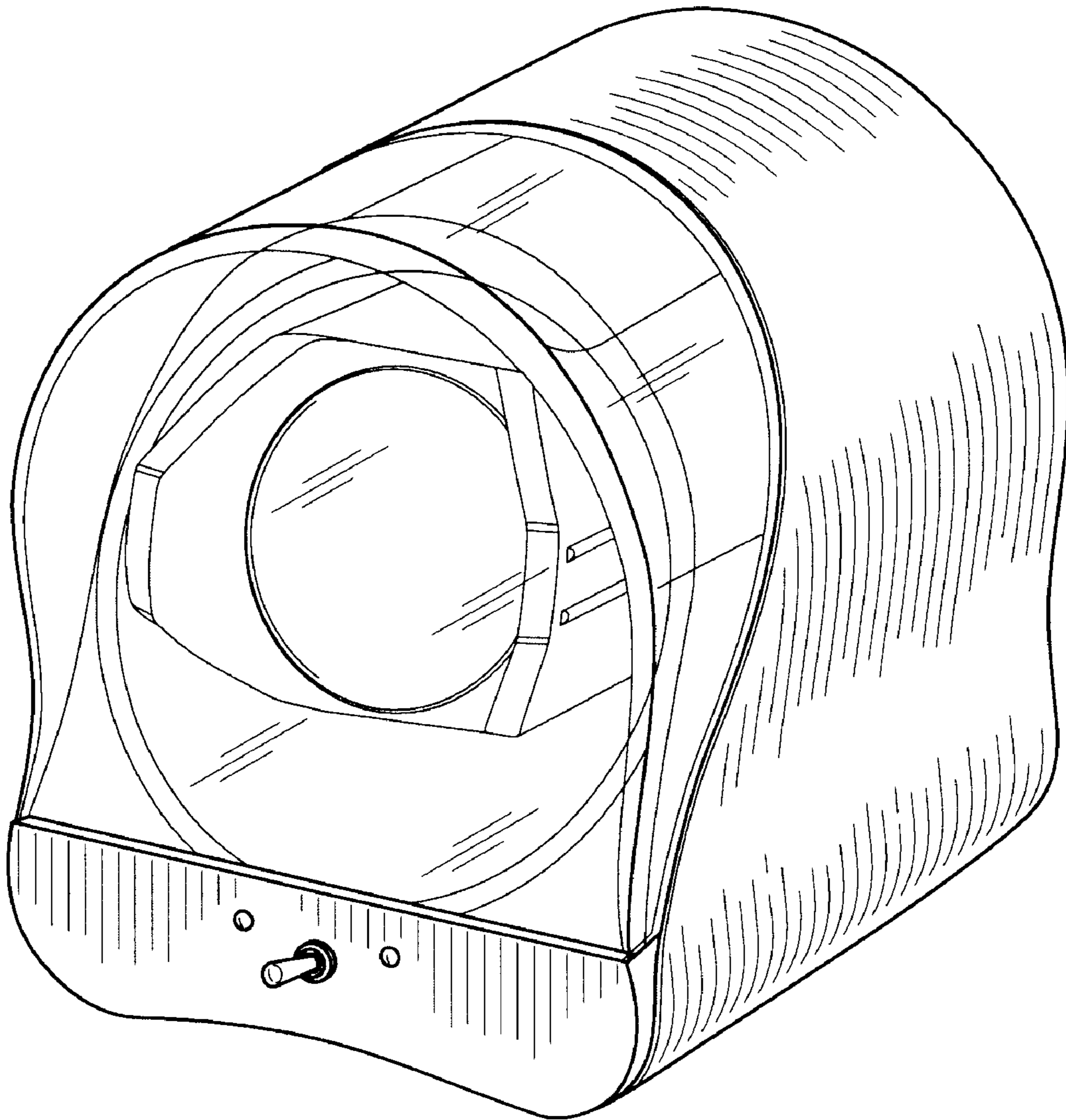


FIG. 1

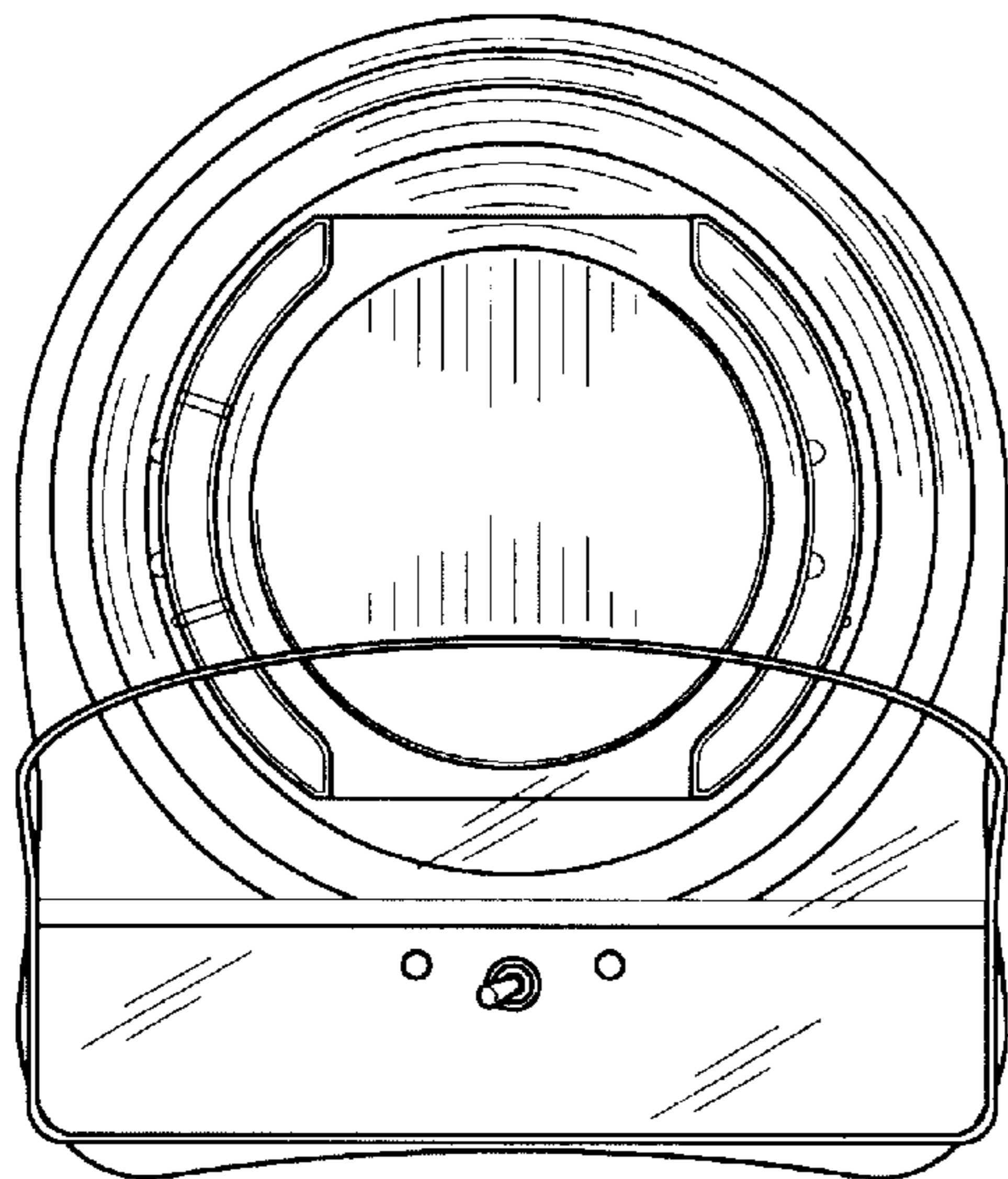


FIG. 2

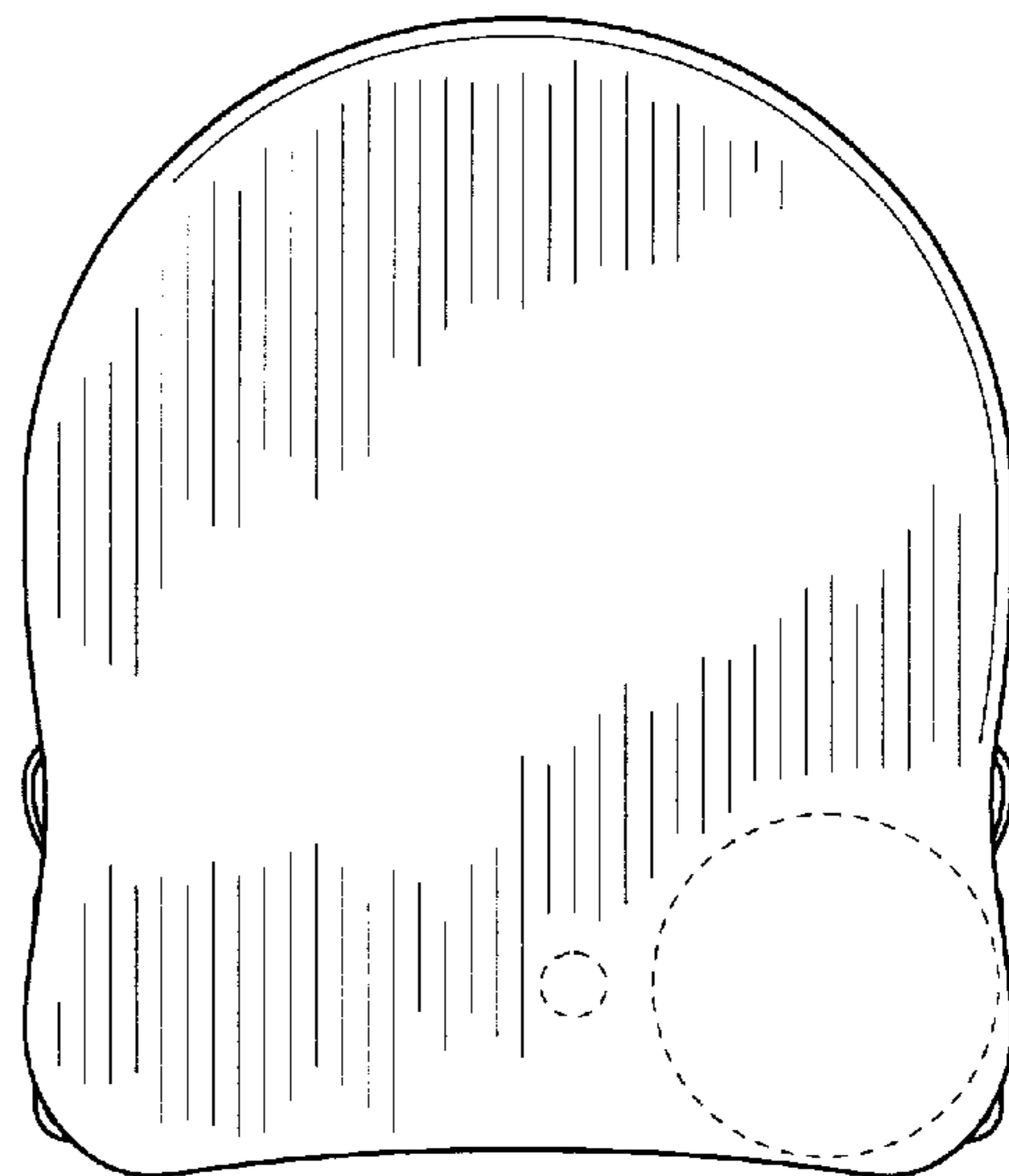


FIG. 3

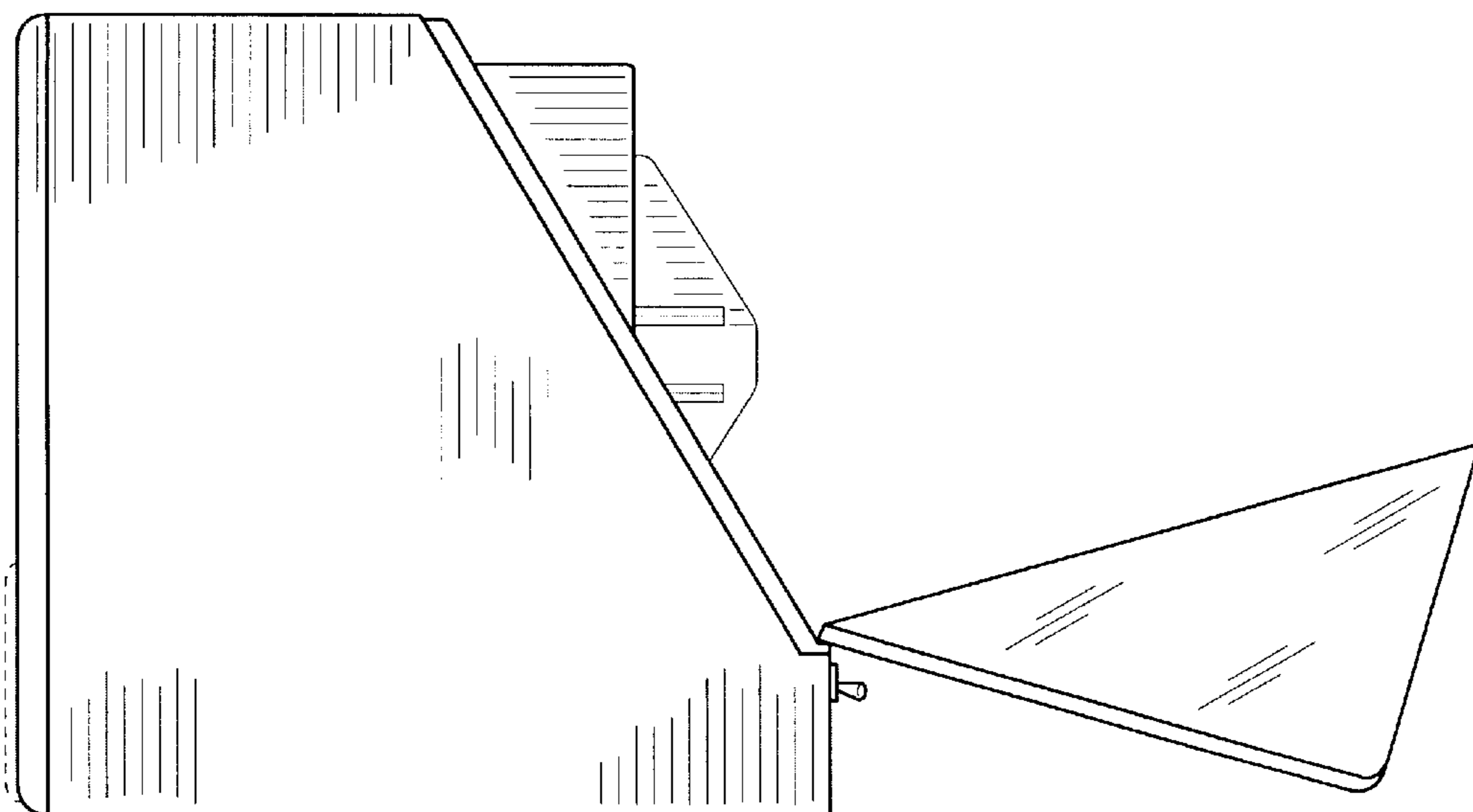


FIG. 4

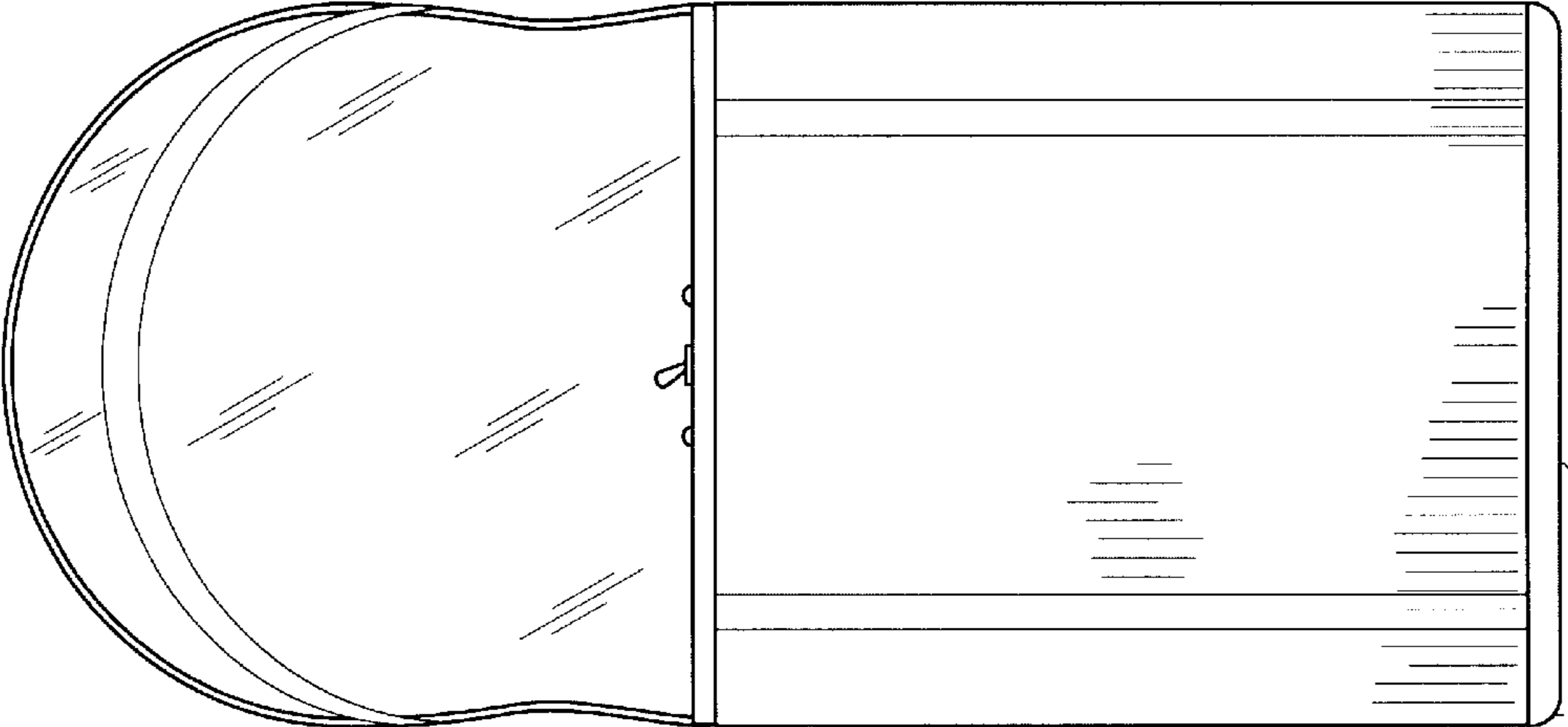


FIG. 6

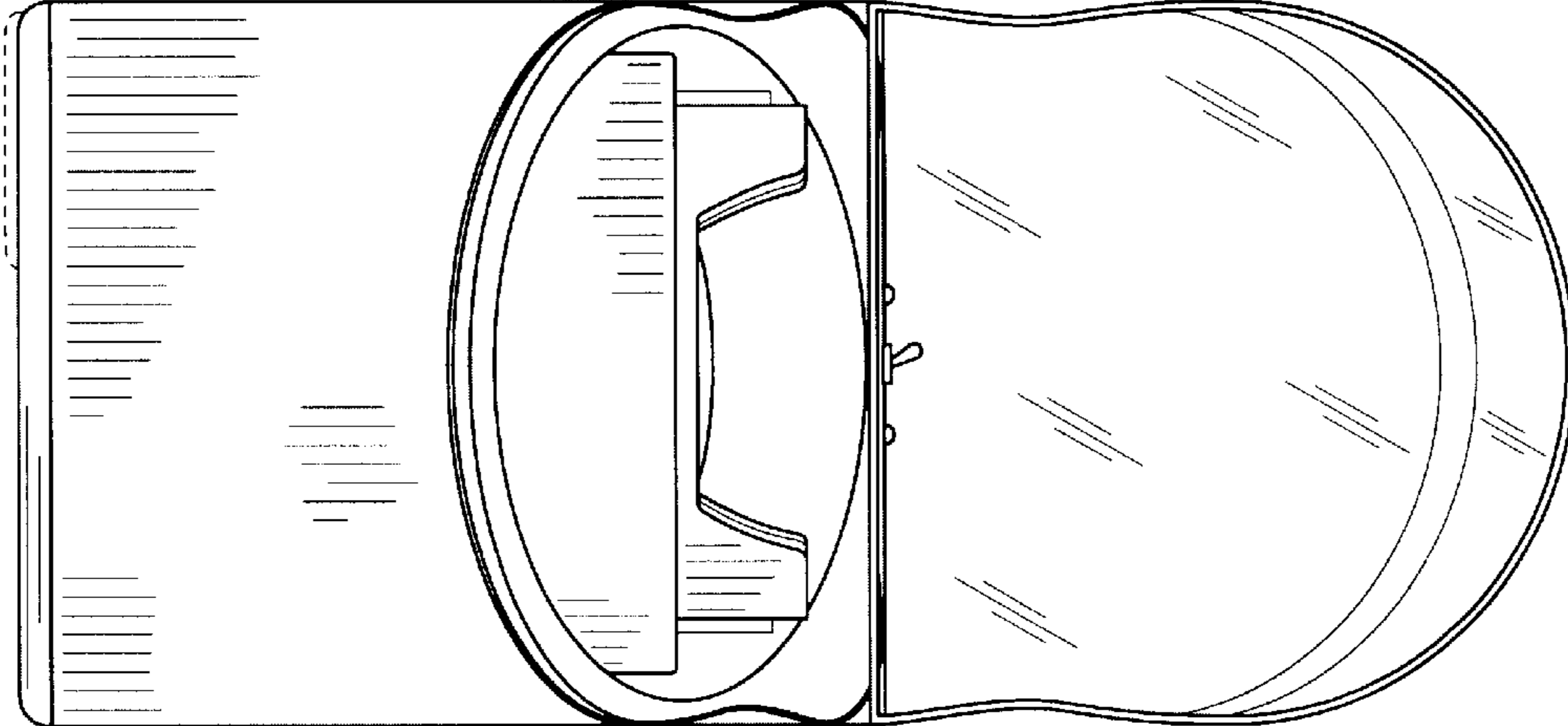


FIG. 5