

US00D508840S

(12) **United States Design Patent**  
**Butler**

(10) **Patent No.:** **US D508,840 S**

(45) **Date of Patent:** **\*\* Aug. 30, 2005**

- (54) **TOILET SEAT LIFTING HANDLE**
- (76) **Inventor:** **Donna M. Butler**, 18627 Wexford,  
Detroit, MI (US) 48234
- (\*\*) **Term:** **14 Years**
- (21) **Appl. No.:** **29/208,409**
- (22) **Filed:** **Jun. 29, 2004**
- (51) **LOC (8) Cl.** ..... **08-06**
- (52) **U.S. Cl.** ..... **D8/307**
- (58) **Field of Search** ..... D7/395, 688, 697;  
D8/107, 300, 305-311, DIG. 1, DIG. 10;  
D23/71, 309, 252, 311; 4/246.1; 16/11 R,  
111 R, 422, 443, 903, 905

- D394,192 S \* 5/1998 Deglon ..... D7/688
- D395,489 S \* 6/1998 Abusaad ..... D23/311
- D406,884 S 3/1999 Goss
- 5,933,876 A \* 8/1999 Simonds ..... 4/246.1
- D432,636 S \* 10/2000 Huot ..... D23/311
- D444,214 S \* 6/2001 Mark et al. .... D23/252
- D461,287 S \* 8/2002 Hansen ..... D32/41

\* cited by examiner

*Primary Examiner*—Prabhakar Deshmukh  
*Assistant Examiner*—Jean E. McCormick  
(74) *Attorney, Agent, or Firm*—Donald R. Schoonover

(57) **CLAIM**

I claim the ornamental design for a toilet seat lifting handle,  
as shown and described.

**DESCRIPTION**

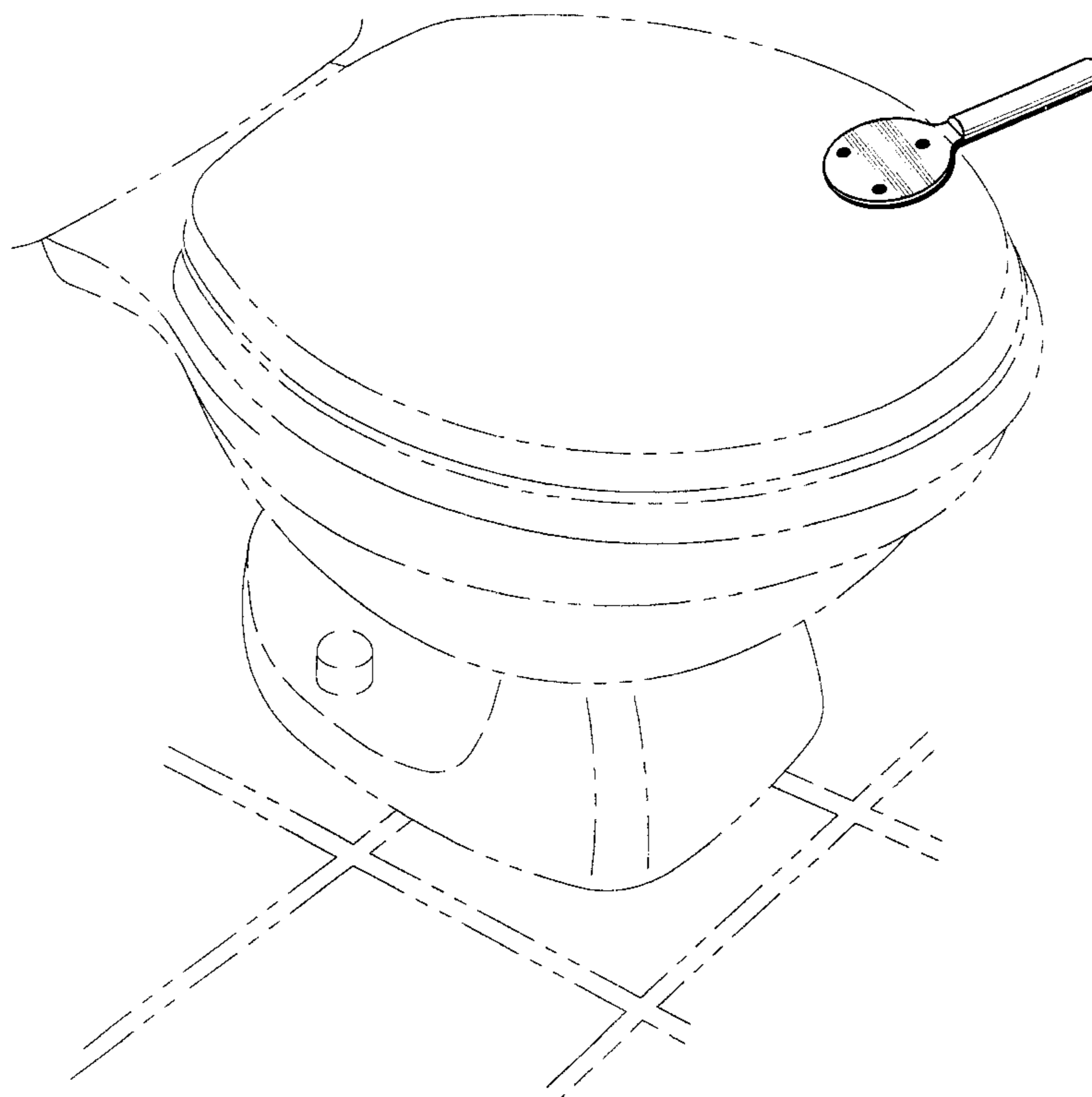
FIG. 1 is a perspective view of a toilet seat lifting handle showing my new design;  
FIG. 2 is a top plan view thereof;  
FIG. 3 is a left side elevational view thereof, the right side elevational view being a mirror image thereof;  
FIG. 4 is an end elevational view thereof;  
FIG. 5 is an elevational view of the opposing end thereof;  
FIG. 6 is a bottom plan view thereof; and,  
FIG. 7 is a reduced perspective view showing the toilet seat lifting handle in use; the broken lines depict environmental structure for illustrative purposes only and form no part of the claimed design.

(56) **References Cited**

**U.S. PATENT DOCUMENTS**

1,398,318 A	11/1921	Courchene	
1,999,555 A	4/1935	Adams	
2,458,019 A	1/1949	Niles	
2,473,082 A	6/1949	Warner	
2,758,315 A	* 8/1956	Hylton	4/246.1
4,525,880 A	7/1985	Bass	
D288,471 S	* 2/1987	Gladstone	D8/305
4,753,472 A	* 6/1988	Fout	294/32
D296,658 S	* 7/1988	Mead et al.	D8/305
4,875,251 A	* 10/1989	Hazard	16/436
D363,976 S	* 11/1995	Vinal	D23/252
5,511,252 A	4/1996	Kreemer	
5,553,332 A	* 9/1996	Hazard	4/246.1

**1 Claim, 3 Drawing Sheets**



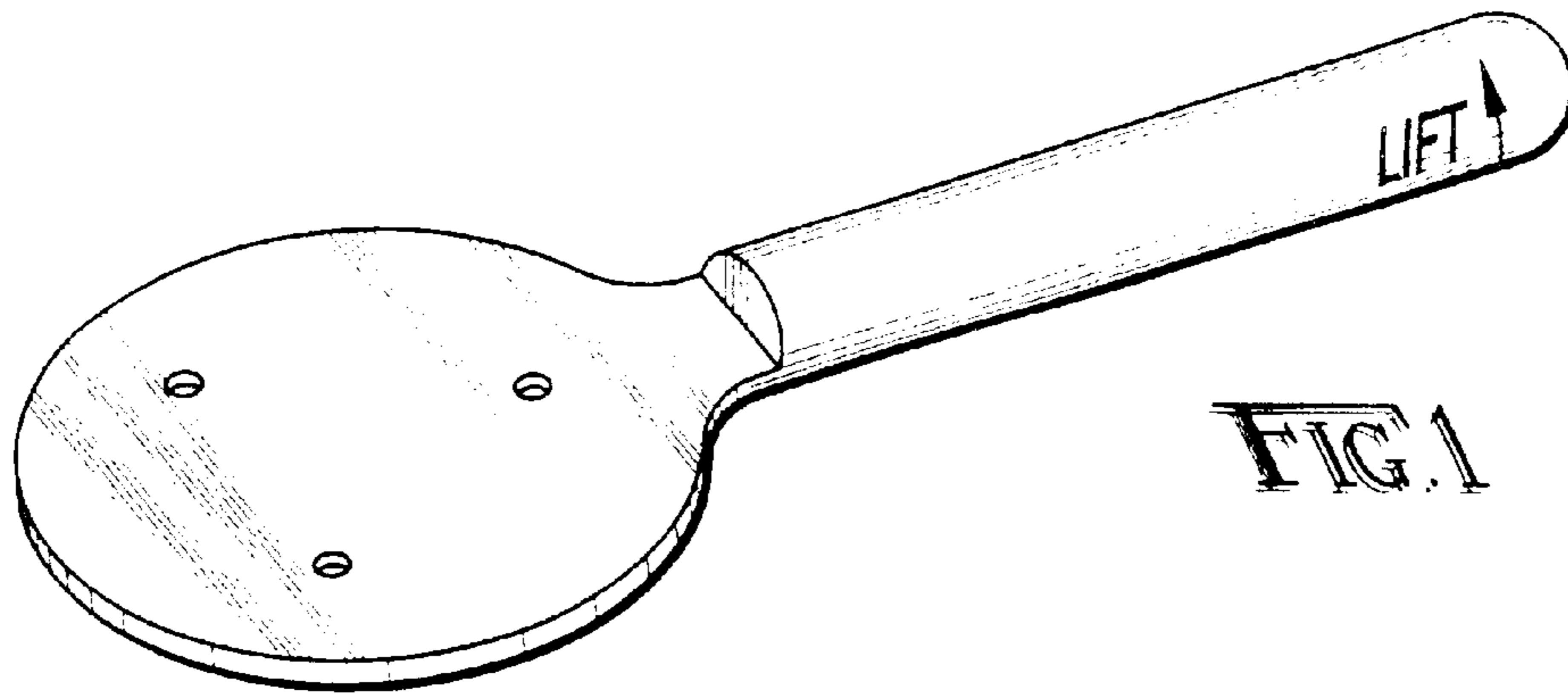


FIG. 1

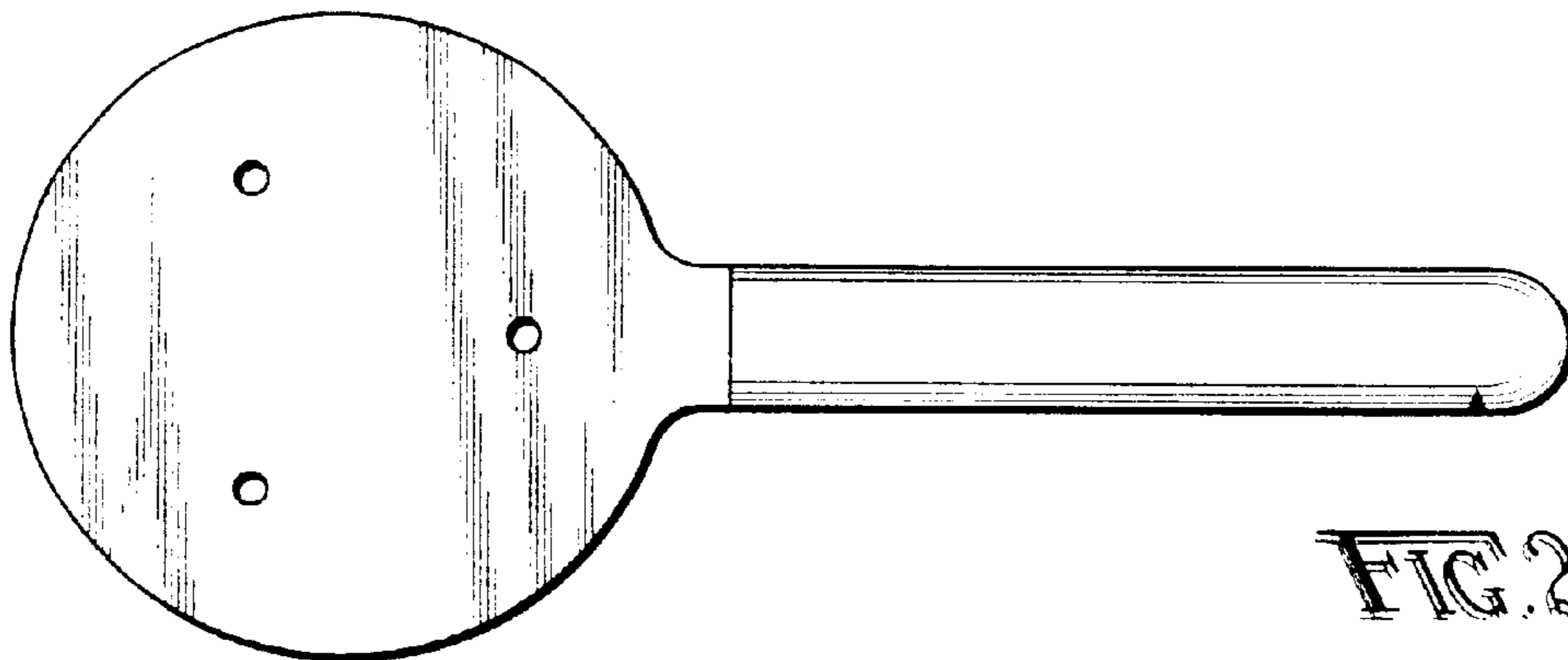


FIG. 2



FIG. 3

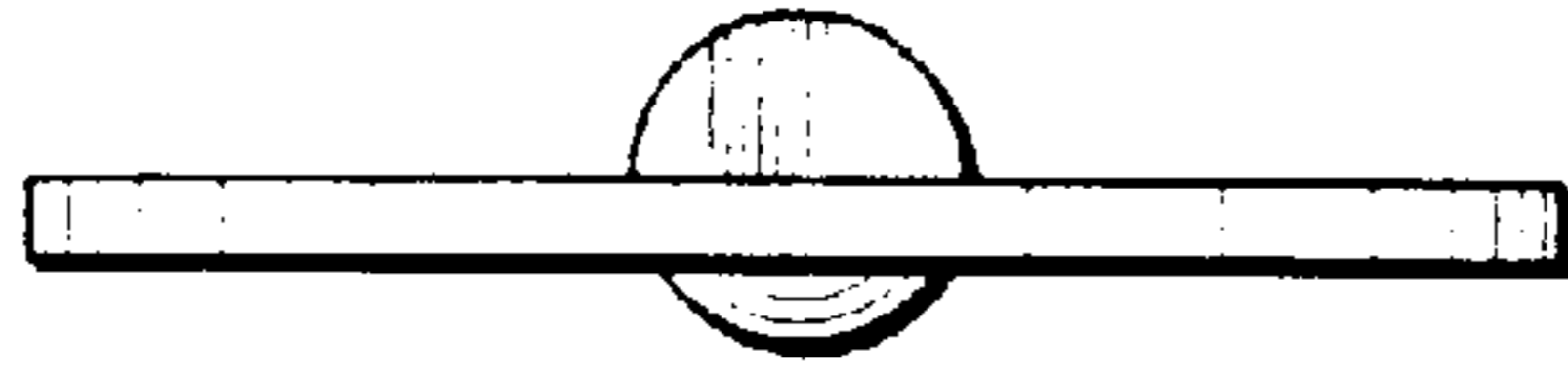


FIG. 4

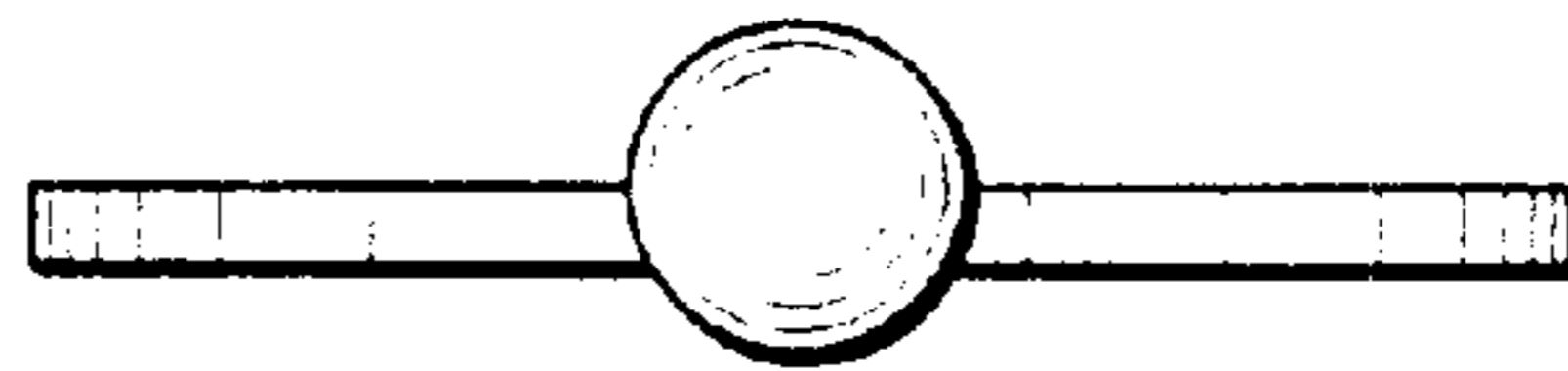


FIG. 5

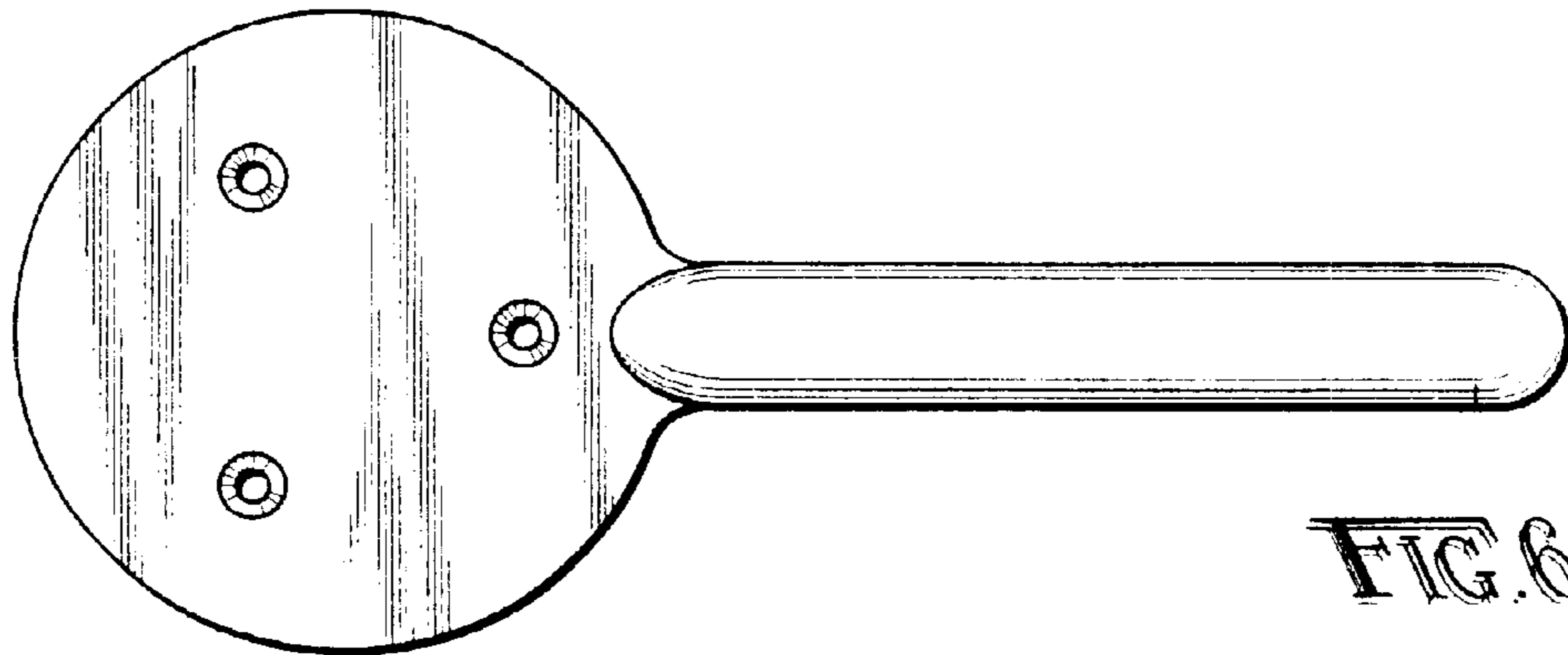


FIG. 6

