

US00D508837S

(12) **United States Design Patent**
Andriolo

(10) **Patent No.:** **US D508,837 S**

(45) **Date of Patent:** **** Aug. 30, 2005**

(54) **DRILL**

(75) Inventor: **Paolo Andriolo, Suzhou (CN)**

(73) Assignee: **Positec Power Tools (Suzhou) Co., Ltd. (CN)**

(**) Term: **14 Years**

(21) Appl. No.: **29/217,343**

(22) Filed: **Nov. 16, 2004**

(51) **LOC (8) Cl.** **08-01**

(52) **U.S. Cl.** **D8/68**

(58) **Field of Search** D8/14.1, 61, 62, D8/63, 64, 65, 66, 67, 68, 69, 70; 81/57.11, 429, 464, 465, 466, 469, 489; 173/13, 169, 178, 213, 217; 227/8, 114, 120, 130, 136, 142; 310/50; 408/20, 124, 125, 234, 241 R; 451/358

(56) **References Cited**

U.S. PATENT DOCUMENTS

D382,457 S	*	8/1997	Ghode et al.	D8/68
D402,871 S	*	12/1998	Clowers et al.	D8/68
D409,467 S	*	5/1999	Chung	D8/68
D419,413 S	*	1/2000	Heun	D8/68
D420,877 S	*	2/2000	Schultz	D8/68
6,308,378 B1	*	10/2001	Mooty et al.	310/50
D460,673 S	*	7/2002	Heun	D8/68

D460,674 S	*	7/2002	Heun	D8/68
D462,248 S	*	9/2002	Cooper	D8/68
D467,483 S	*	12/2002	Heun	D8/68
D479,456 S	*	9/2003	Murray et al.	D8/68
D491,437 S	*	6/2004	Bian	D8/68
6,745,883 B2	*	6/2004	Eto et al.	173/178
D496,843 S	*	10/2004	Sugawara et al.	D8/68
6,840,335 B1	*	1/2005	Wu	173/217
D501,385 S	*	2/2005	Cheung et al.	D8/68
2002/0110431 A1	*	8/2002	Dils et al.	408/124

* cited by examiner

Primary Examiner—Gary D. Watson

Assistant Examiner—T. Chase Nelson

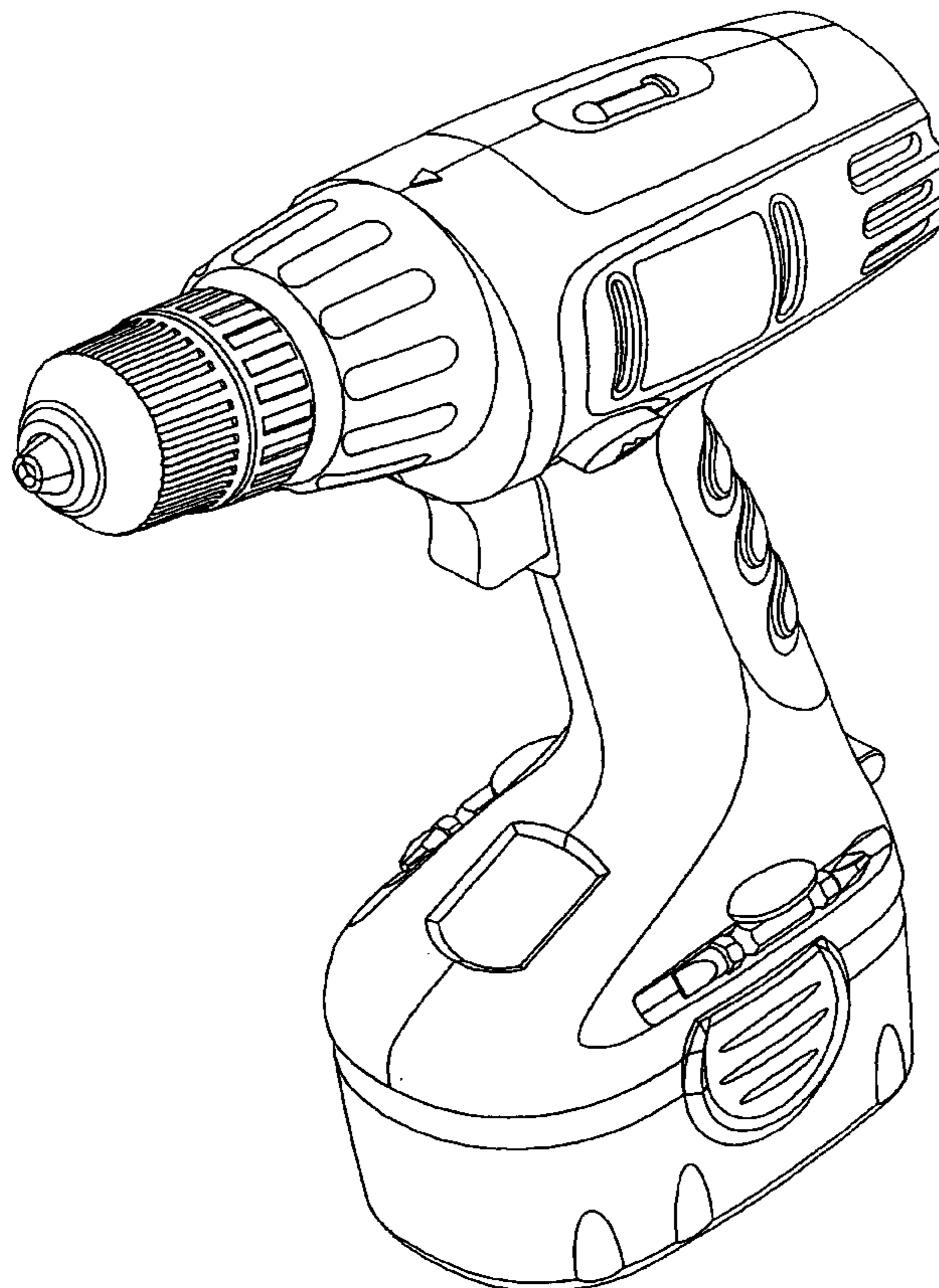
(57) **CLAIM**

The ornamental design for a drill, as shown and described.

DESCRIPTION

FIG. 1 is a front elevational view of the drill, according to an embodiment of the present invention;
 FIG. 2 is a top view of the drill of FIG. 1;
 FIG. 3 is a bottom view of the drill of FIG. 1;
 FIG. 4 is a perspective view of the drill of FIG. 1;
 FIG. 5 is a rear elevational view of the drill of FIG. 1;
 FIG. 6 is an elevational view of the right side of the drill of FIG. 1; and,
 FIG. 7 is an elevational view of the left side of the drill of FIG. 1.

1 Claim, 5 Drawing Sheets



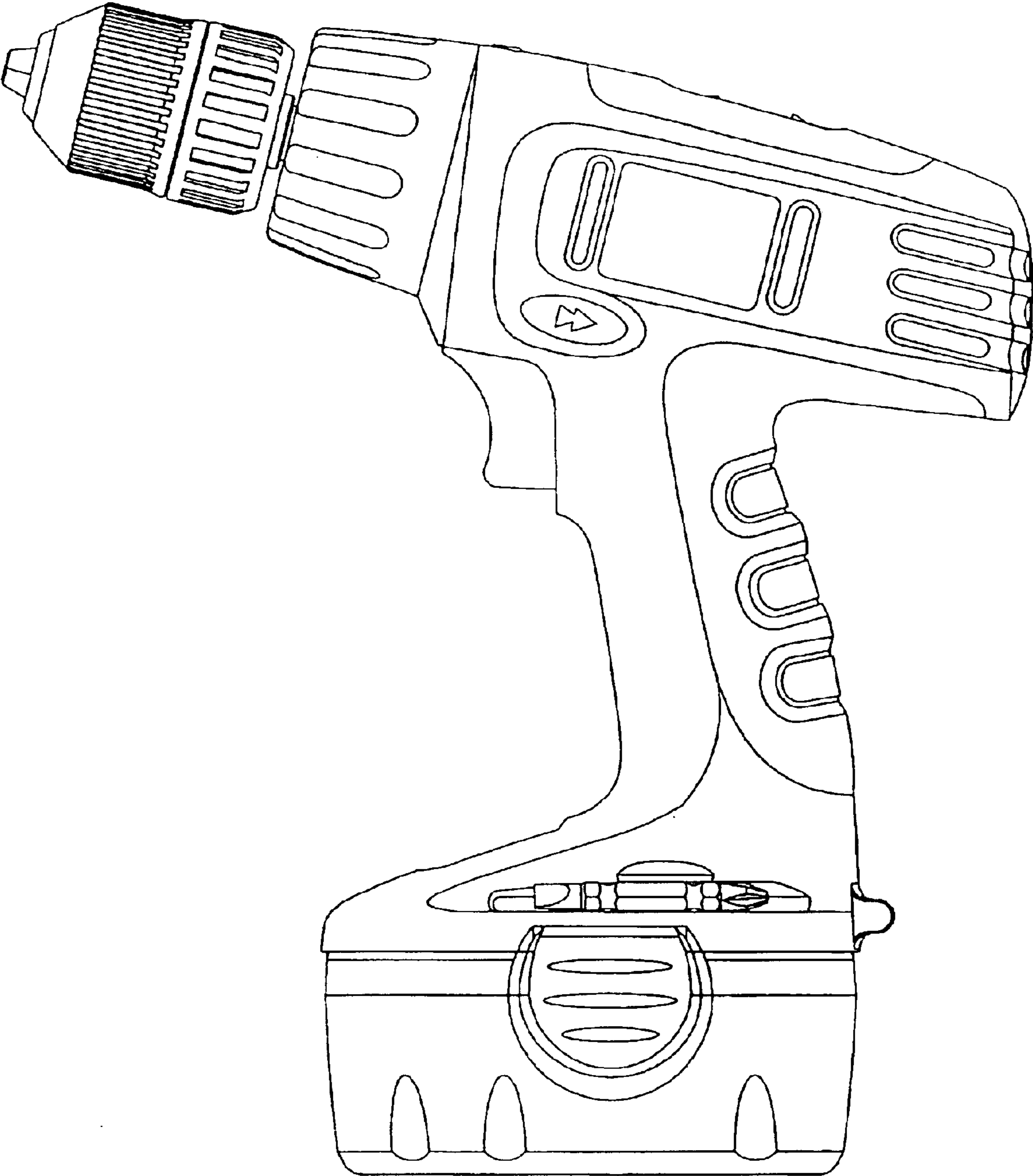


FIG. 1

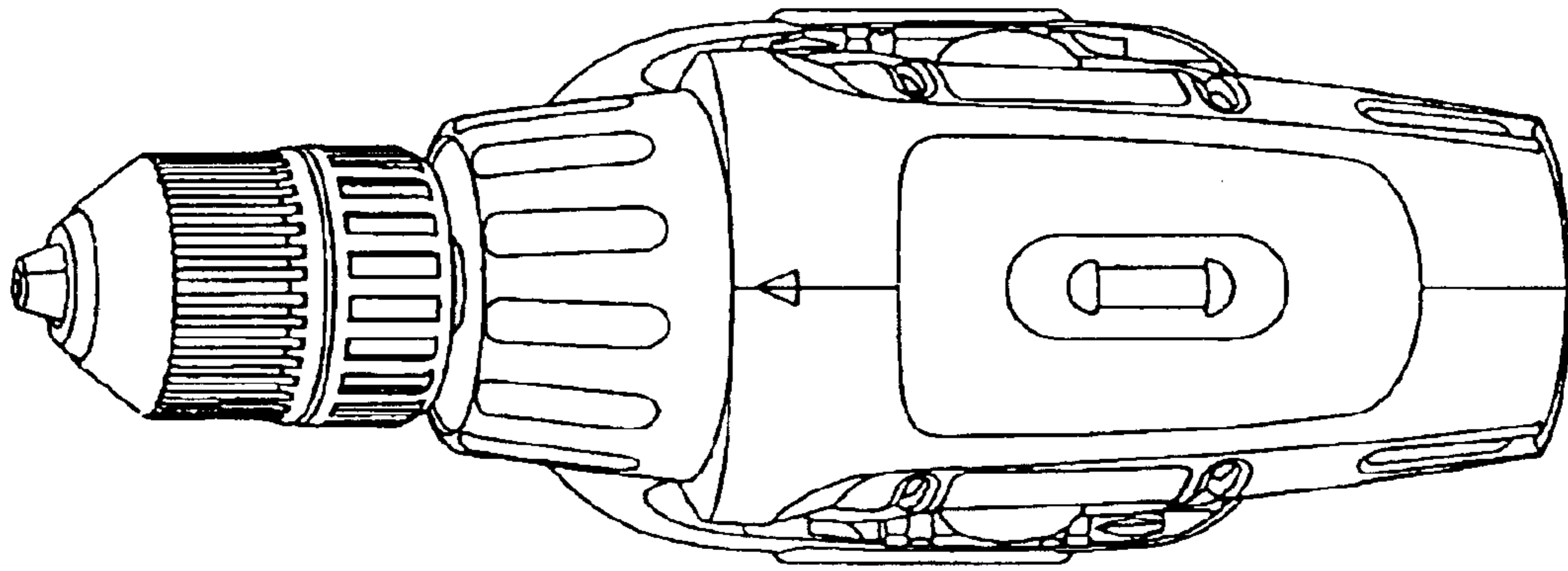


FIG. 2

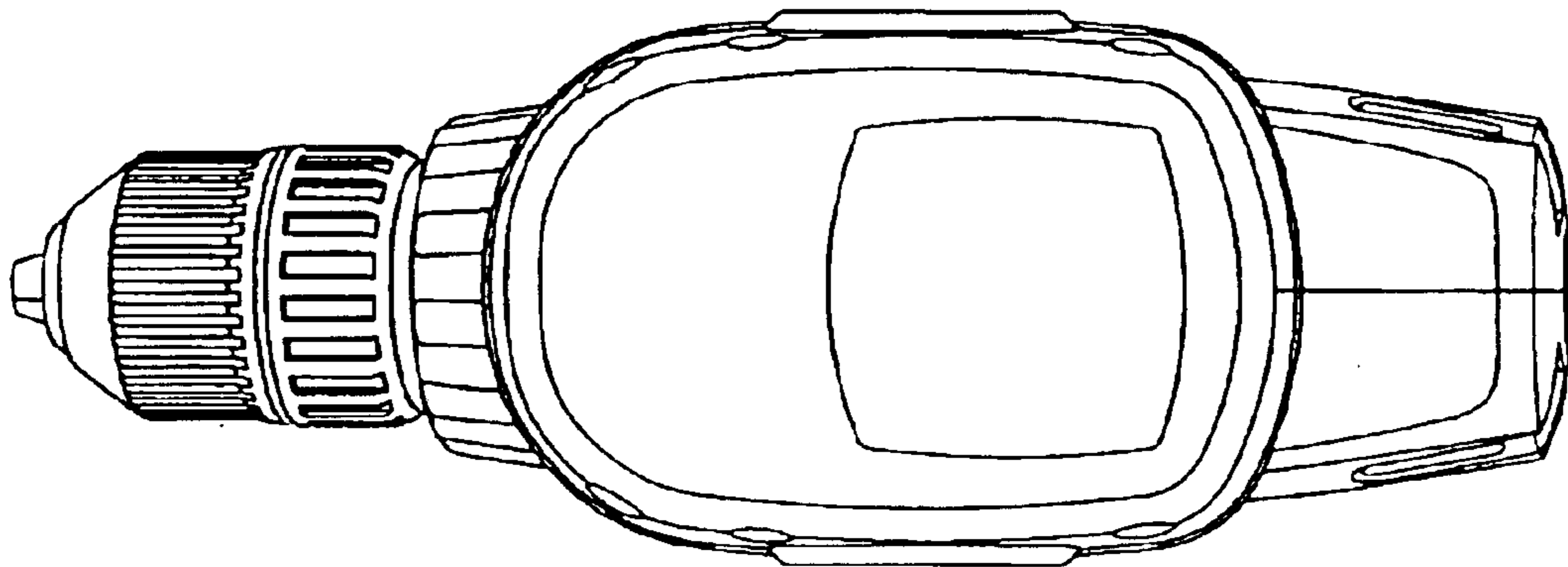


FIG. 3

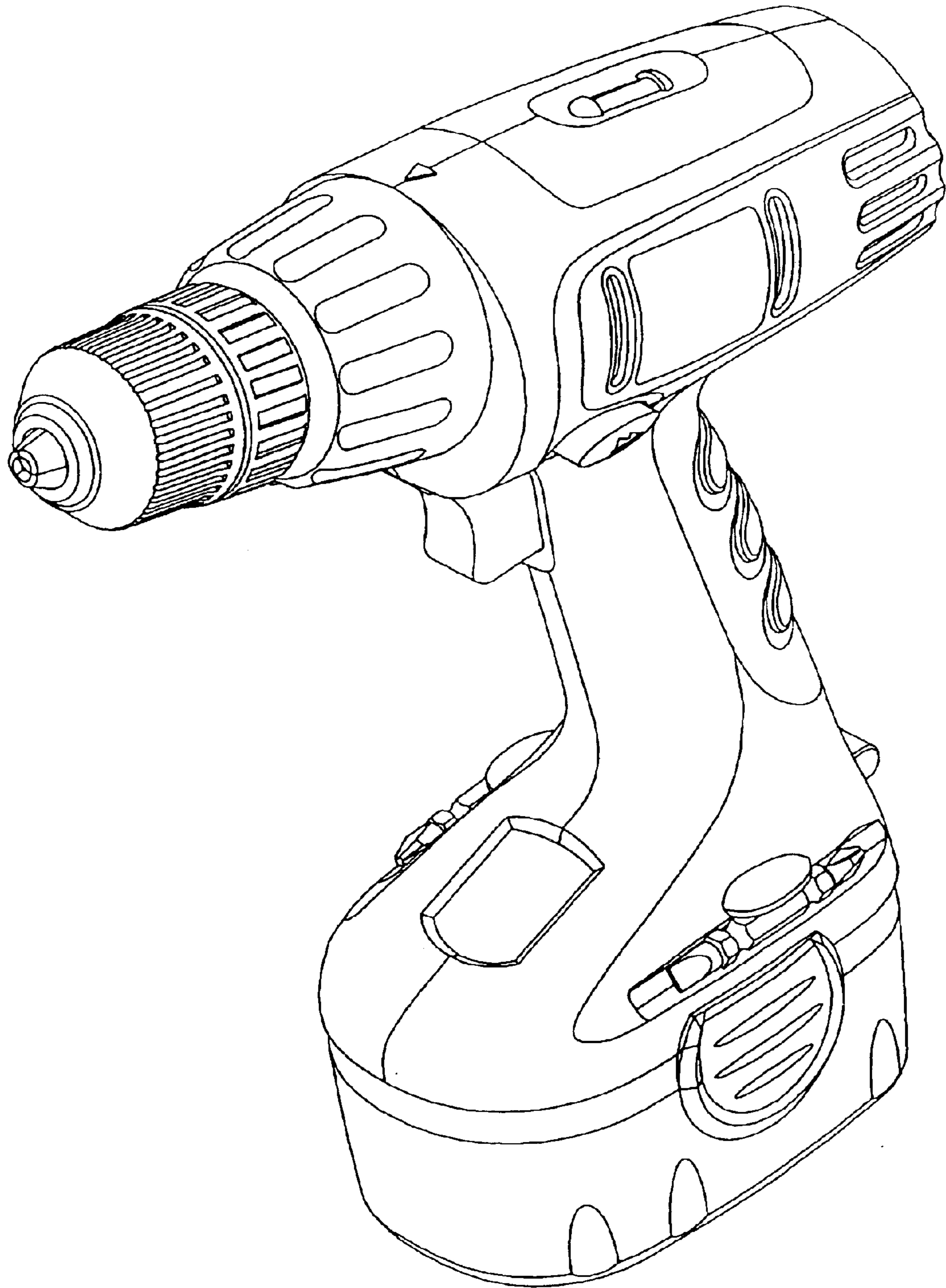


FIG. 4

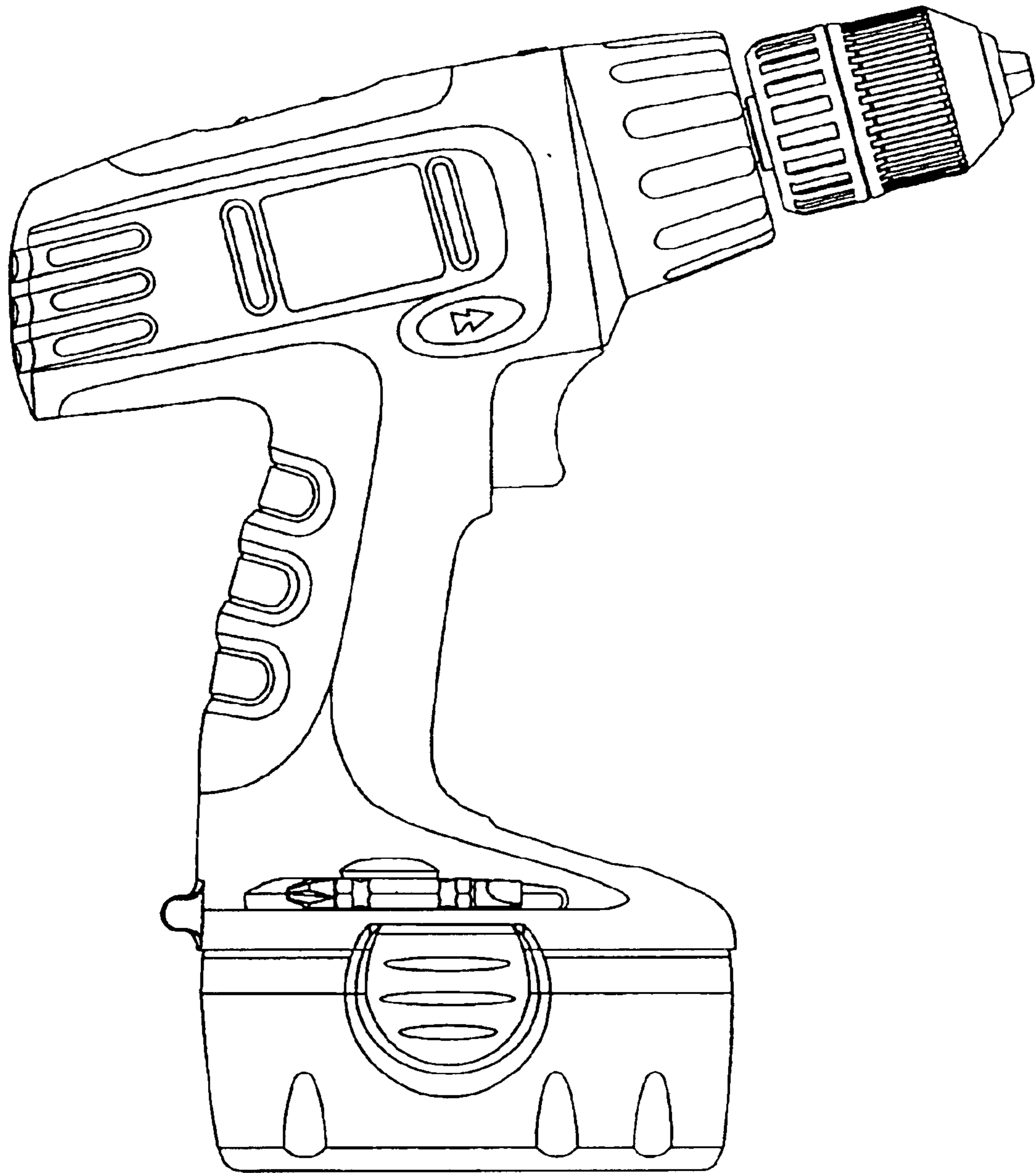


FIG. 5

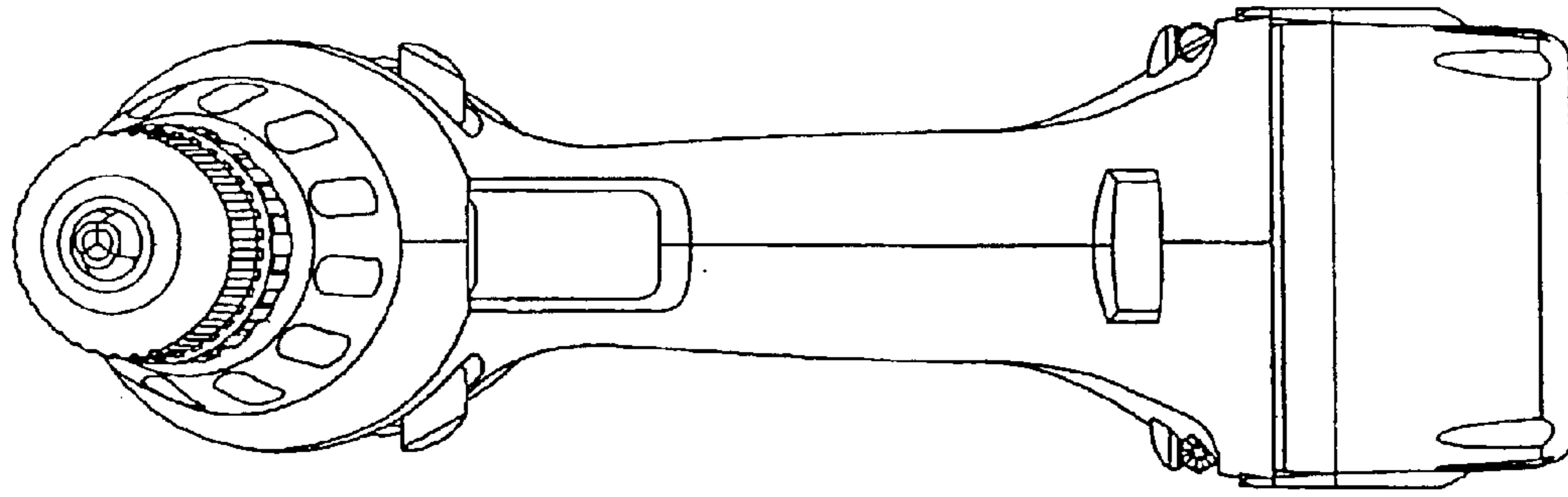


FIG. 7

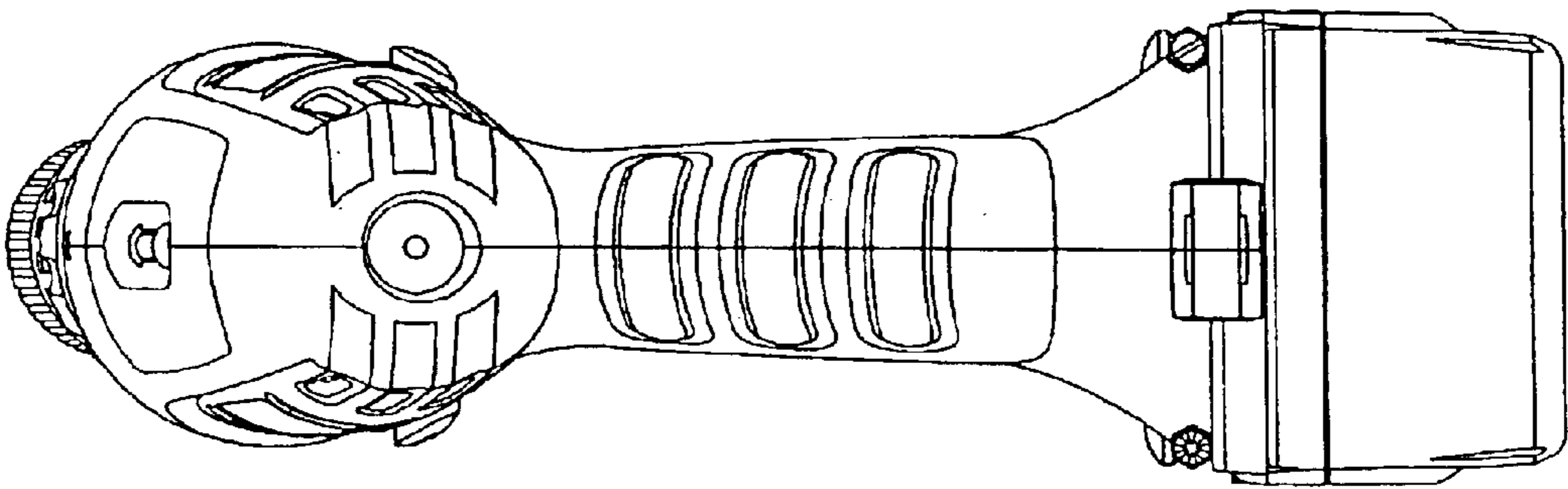


FIG. 6