



US00D508835S

(12) **United States Design Patent** (10) **Patent No.:** **US D508,835 S**  
**Schiller et al.** (45) **Date of Patent:** **\*\* Aug. 30, 2005**

(54) **AIR DRILL**

(75) Inventors: **Joel D. Schiller**, Comfrey, MN (US);  
**Jeffrey A. Kretsch**, Springfield, MN  
(US); **Lisa M. Wahl**, Sleep Eye, MN  
(US); **Sandra L. Hesse**, Clements, MN  
(US); **Chad Davis**, Chicago, IL (US);  
**Scott Dallmeyer**, Chicago, IL (US);  
**Craig Scherer**, Wilmette, IL (US)

(73) Assignee: **Powermate Corporation**, Aurora, IL  
(US)

(\*\*) Term: **14 Years**

(21) Appl. No.: **29/205,421**

(22) Filed: **May 14, 2004**

(51) **LOC (8) Cl.** ..... **08-01**

(52) **U.S. Cl.** ..... **D8/68**

(58) **Field of Search** ..... D8/14.1, 61, 62,  
D8/63, 64, 65, 66, 67, 68, 69, 70; 81/57.11,  
429, 464, 465, 466, 469, 489; 173/13, 169,  
178, 213, 217; 227/8, 114, 120, 130, 136,  
142; 310/50; 408/20, 124, 125, 234, 241 R;  
451/358

(56) **References Cited**

**U.S. PATENT DOCUMENTS**

4,546,833 A \* 10/1985 Berez et al. .... 173/13  
4,705,200 A \* 11/1987 Kopf et al. .... 227/8  
D420,878 S \* 2/2000 Li ..... D8/69  
D436,819 S \* 1/2001 Liu ..... D8/68  
D444,365 S \* 7/2001 Bass et al. .... D8/68  
D459,178 S \* 6/2002 Heun ..... D8/68  
D459,182 S \* 6/2002 Morgan ..... D8/68  
D459,644 S \* 7/2002 Morgan ..... D8/68  
D459,966 S \* 7/2002 So ..... D8/68  
D460,675 S \* 7/2002 Morgan ..... D8/68

D462,593 S \* 9/2002 Nottingham et al. .... D8/68  
D463,237 S \* 9/2002 Sims et al. .... D8/68  
D476,209 S \* 6/2003 Chen ..... D8/68  
D485,737 S \* 1/2004 Schaub et al. .... D8/68  
D486,713 S \* 2/2004 Lai ..... D8/68  
D487,219 S \* 3/2004 Chudy et al. .... D8/68  
6,805,272 B1 \* 10/2004 Sen-Mu et al. .... 173/169

**OTHER PUBLICATIONS**

*Coleman Powermate Professional Air Tools and Accessories*, 1997 product catalog.

*Coleman Powermate Air Tools and Accessories*, 1999 product catalog.

*Coleman Powermate Air Tools and Accessories*, 2001 product catalog.

\* cited by examiner

*Primary Examiner*—Gary D. Watson

*Assistant Examiner*—T. Chase Nelson

(74) *Attorney, Agent, or Firm*—Leydig, Voit & Mayer, Ltd.

(57) **CLAIM**

The ornamental design for an air drill, as shown and described.

**DESCRIPTION**

FIG. 1 is a top, right front perspective view of an air drill of the present invention;

FIG. 2 is a front view thereof;

FIG. 3 is a rear view thereof;

FIG. 4 is a right side view thereof;

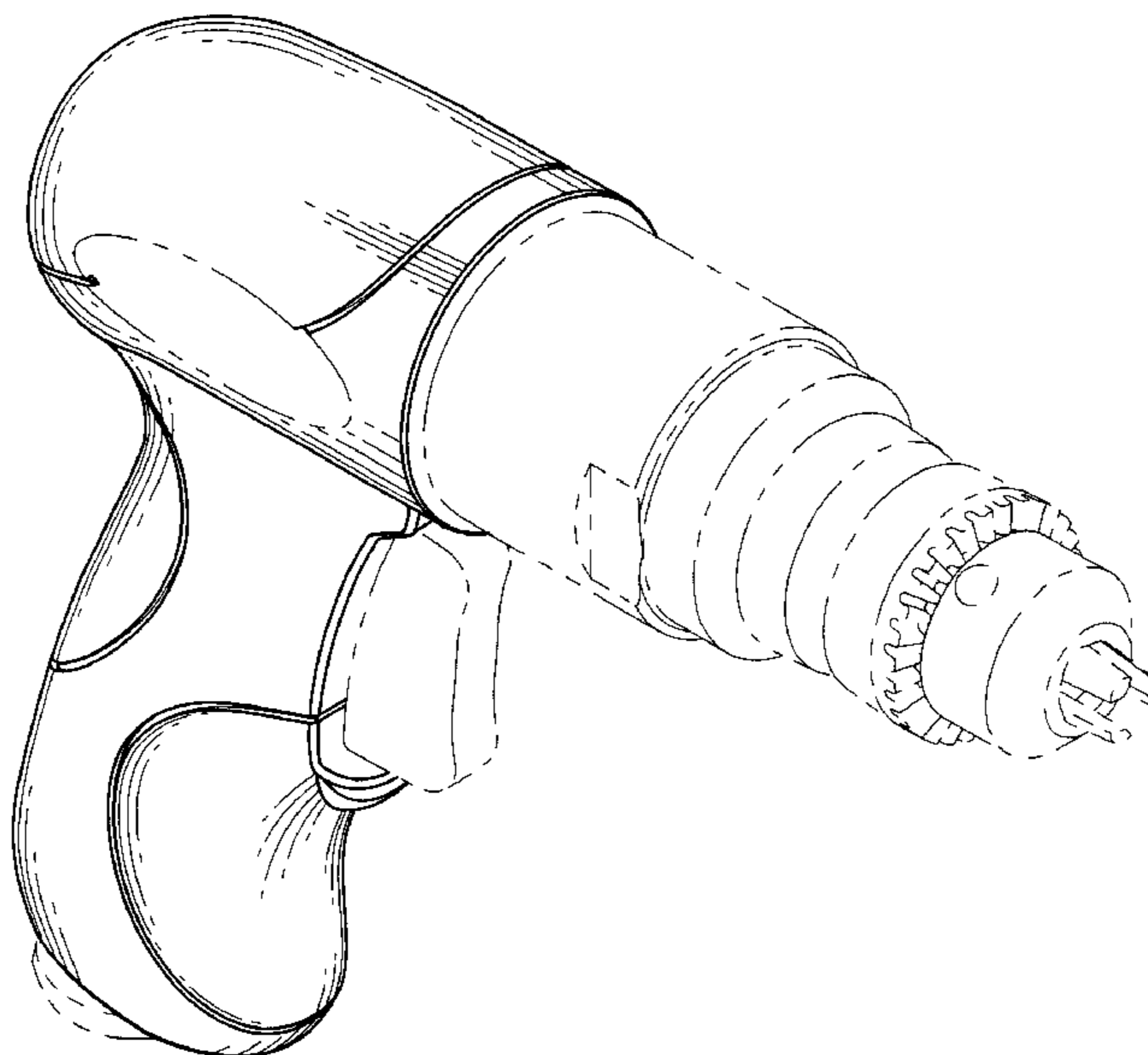
FIG. 5 is a left side view thereof;

FIG. 6 is a top view thereof; and,

FIG. 7 is a bottom view thereof.

The broken line showing is for illustrative purposes only and forms no part of the claimed design.

**1 Claim, 3 Drawing Sheets**



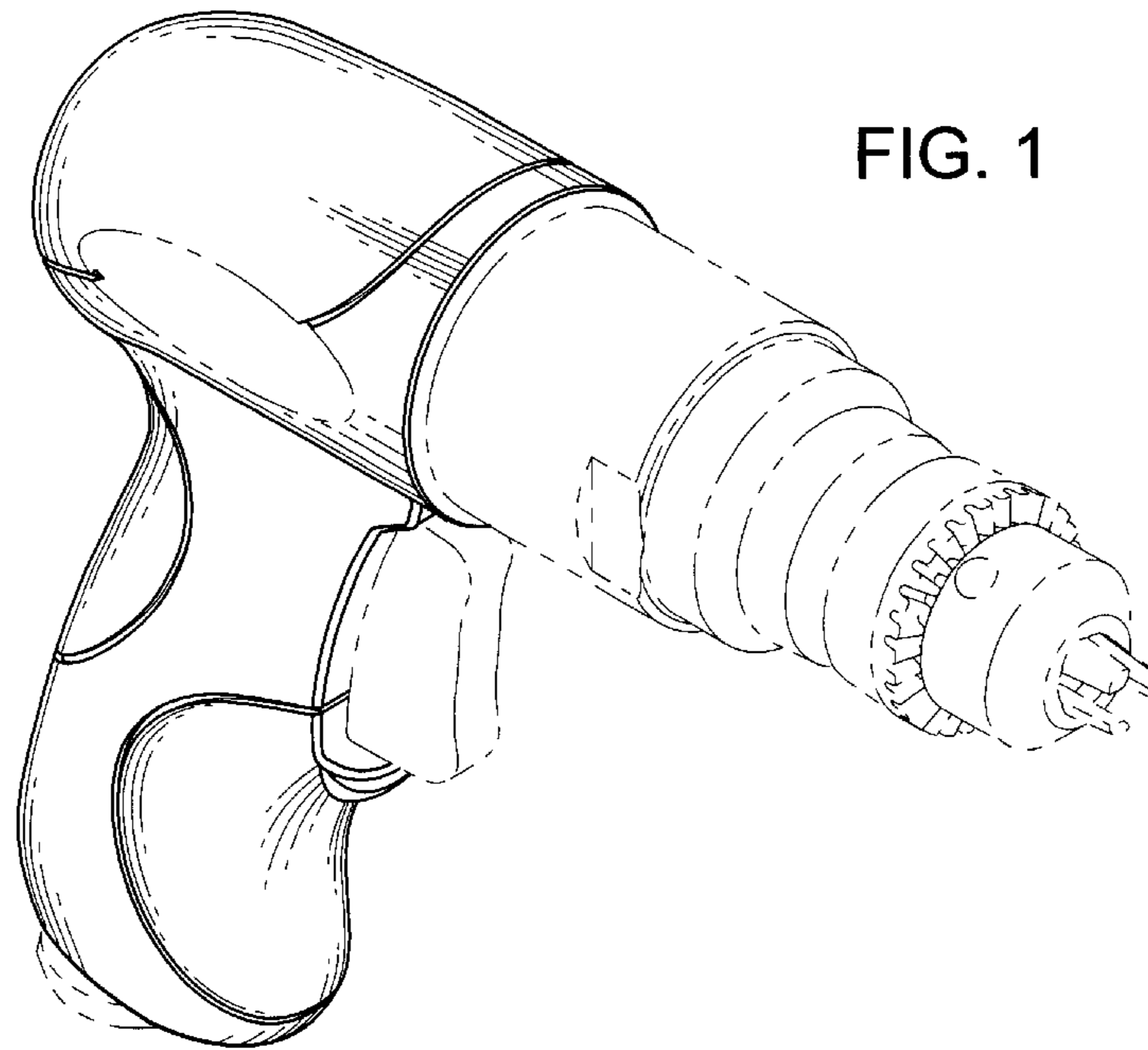


FIG. 1

FIG. 2

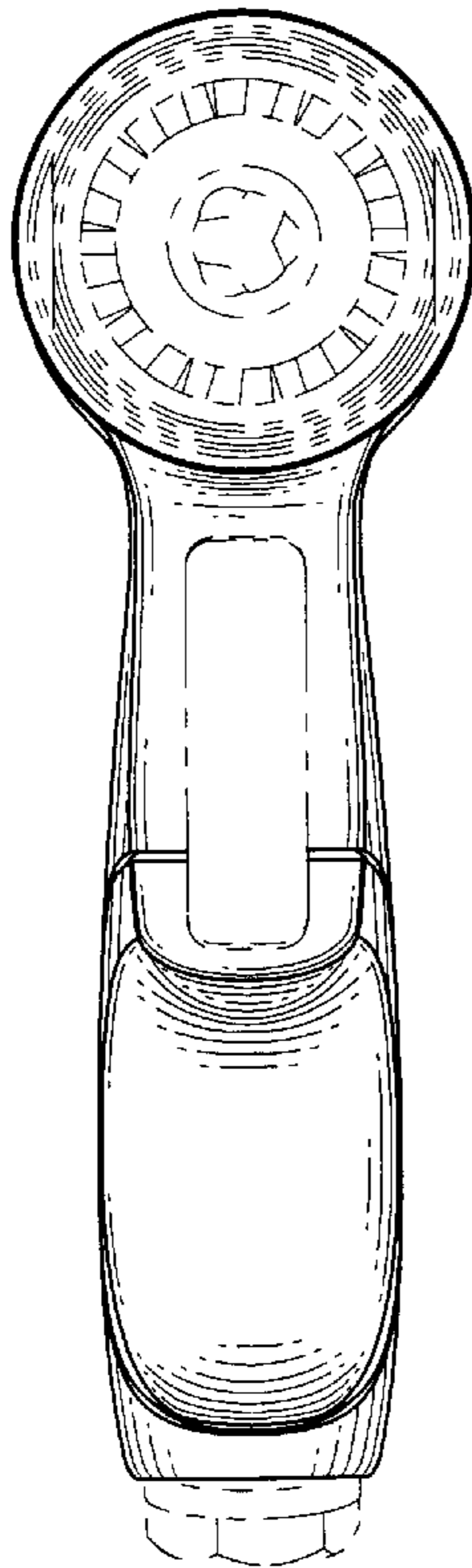
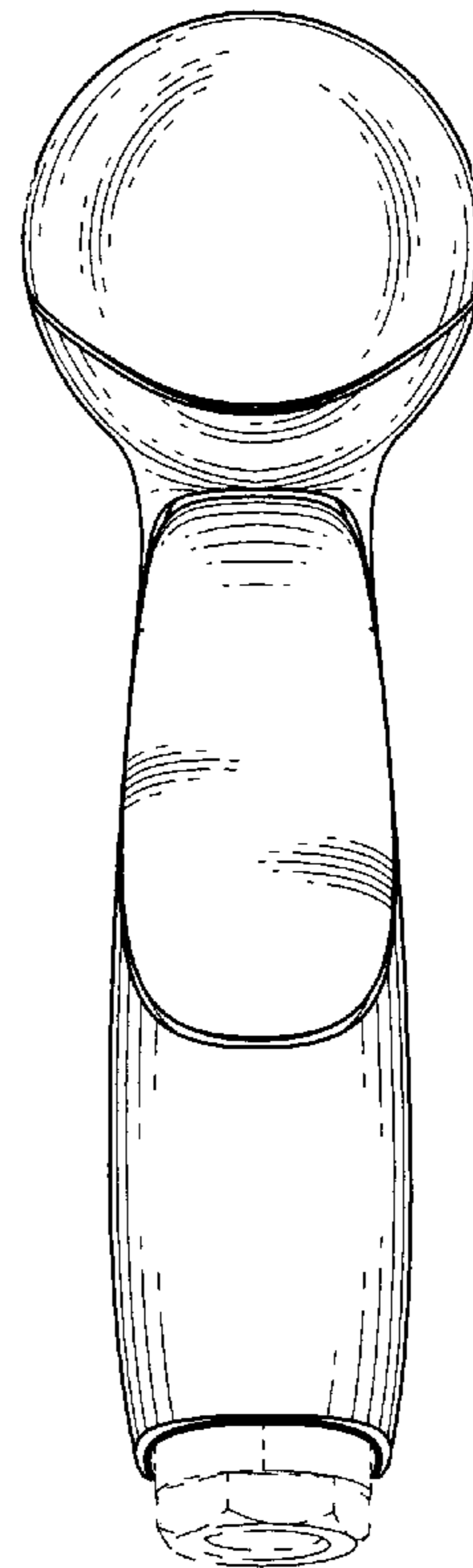


FIG. 3



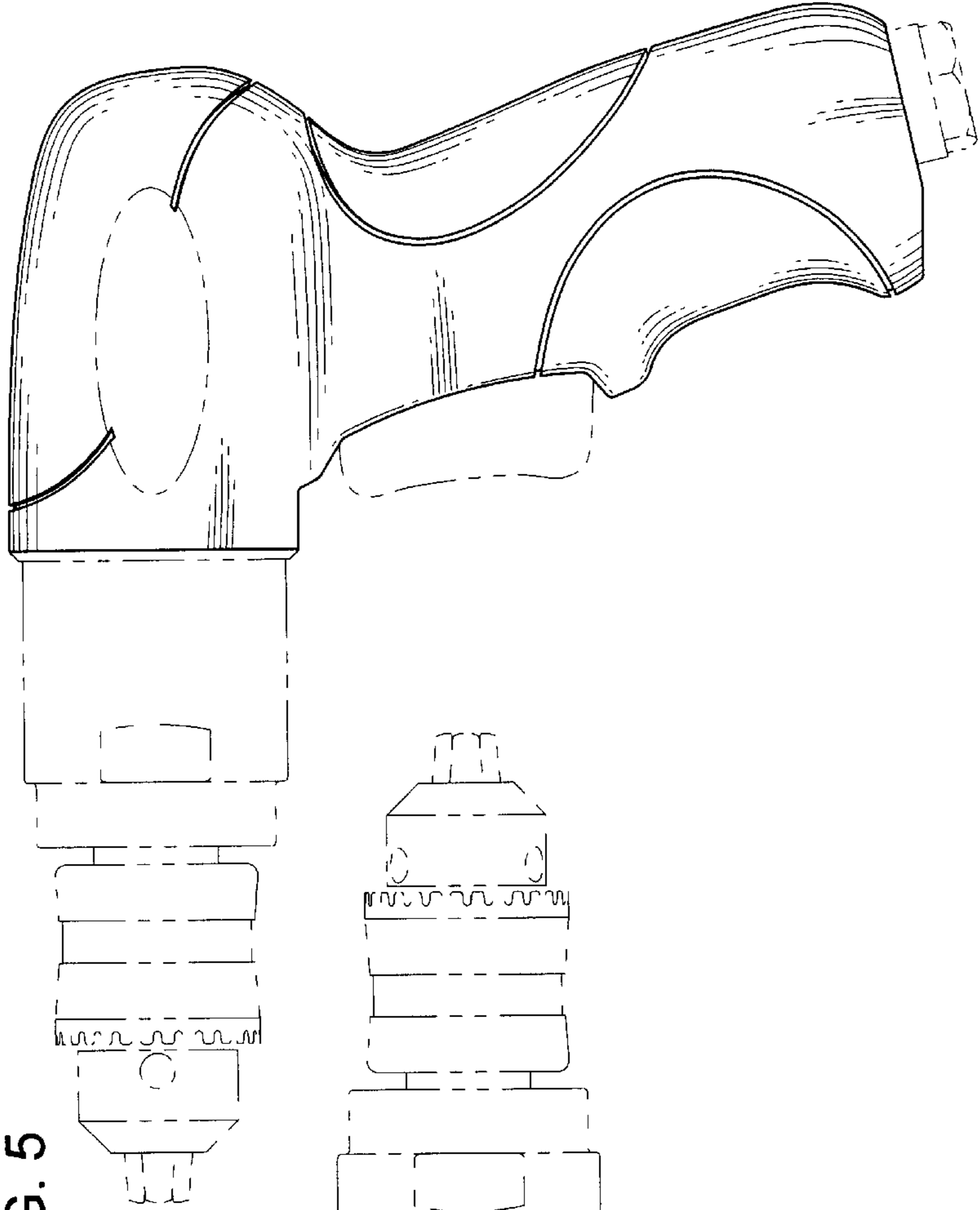


FIG. 4

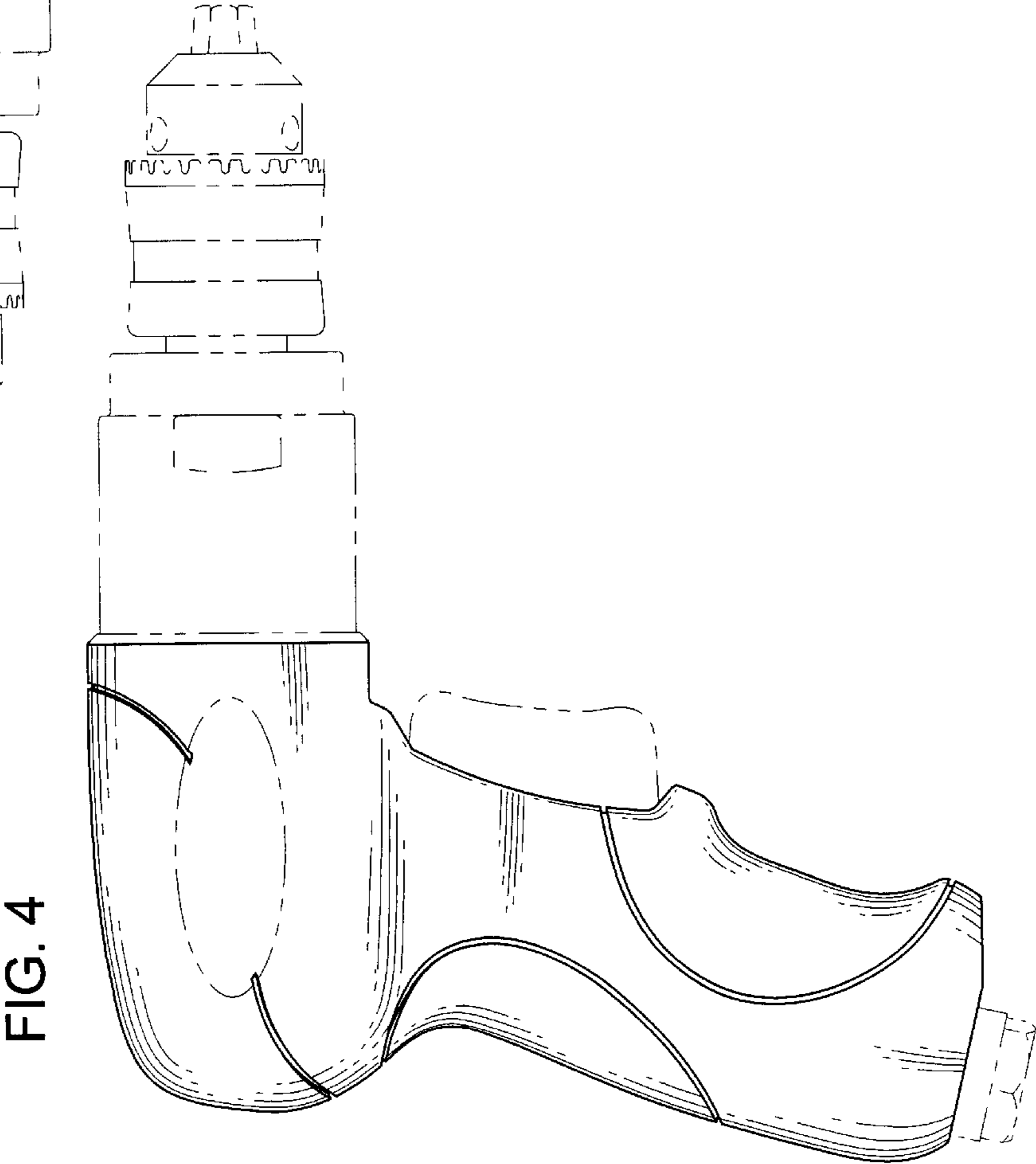


FIG. 5

FIG. 6

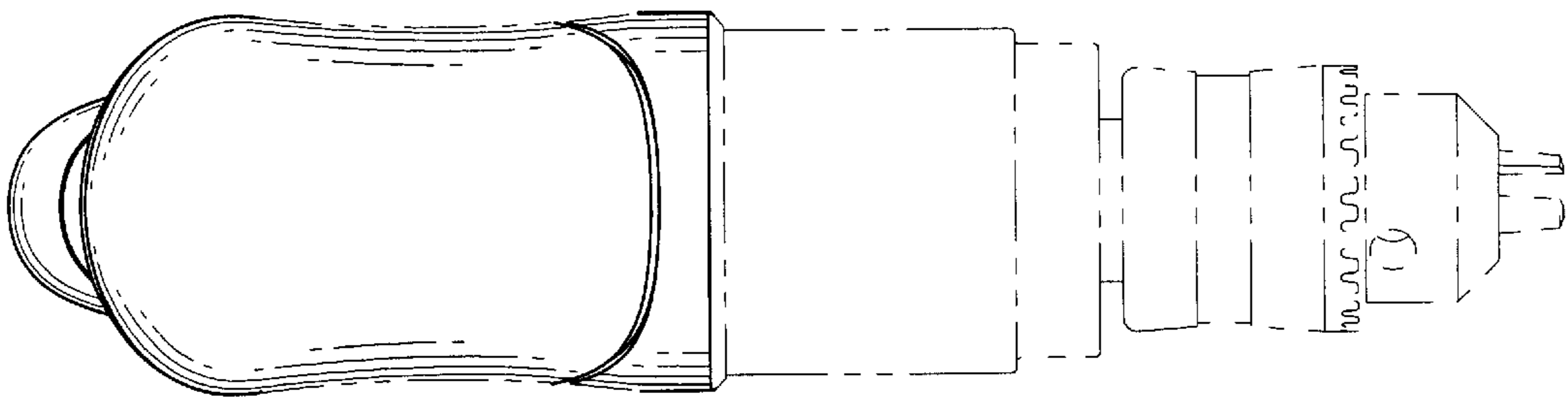


FIG. 7

