

US00D508832S

(12) **United States Design Patent**
McNeill

(10) **Patent No.:** **US D508,832 S**

(45) **Date of Patent:** **** Aug. 30, 2005**

(54) **HAND TOOL**

(75) **Inventor:** **Steven Robert McNeill**, Port Macquarie (AU)

(73) **Assignees:** **Robert Steven McNeill**, Port Macquarie. (AU); **Diane Maree McNeill**, Port Macquarie (AU)

(**) **Term:** **14 Years**

(21) **Appl. No.:** **29/179,025**

(22) **Filed:** **Apr. 3, 2003**

(30) **Foreign Application Priority Data**

Oct. 4, 2002 (AU) 3108/02

(51) **LOC (8) Cl.** **08-05**

(52) **U.S. Cl.** **D8/14**

(58) **Field of Search** D8/14, 90-91;
30/280, 125; 15/104.4

(56) **References Cited**

U.S. PATENT DOCUMENTS

D218,393 S * 8/1970 Salzman, Jr. D8/90

D369,081 S * 4/1996 Byers et al. D8/91
D394,596 S * 5/1998 Byers et al. D8/91
5,791,005 A * 8/1998 Grabowski et al. 15/104.04
D406,517 S * 3/1999 Ali D8/90
D462,597 S * 9/2002 Deshler D8/90
D477,764 S * 7/2003 Magann D8/90

* cited by examiner

Primary Examiner—Holly Baynham
(74) *Attorney, Agent, or Firm*—Harrison & Egbert

(57) **CLAIM**

I claim the ornamental design for hand tool, as shown and described.

DESCRIPTION

FIG. 1 is an upper perspective view of the hand tool showing my design.

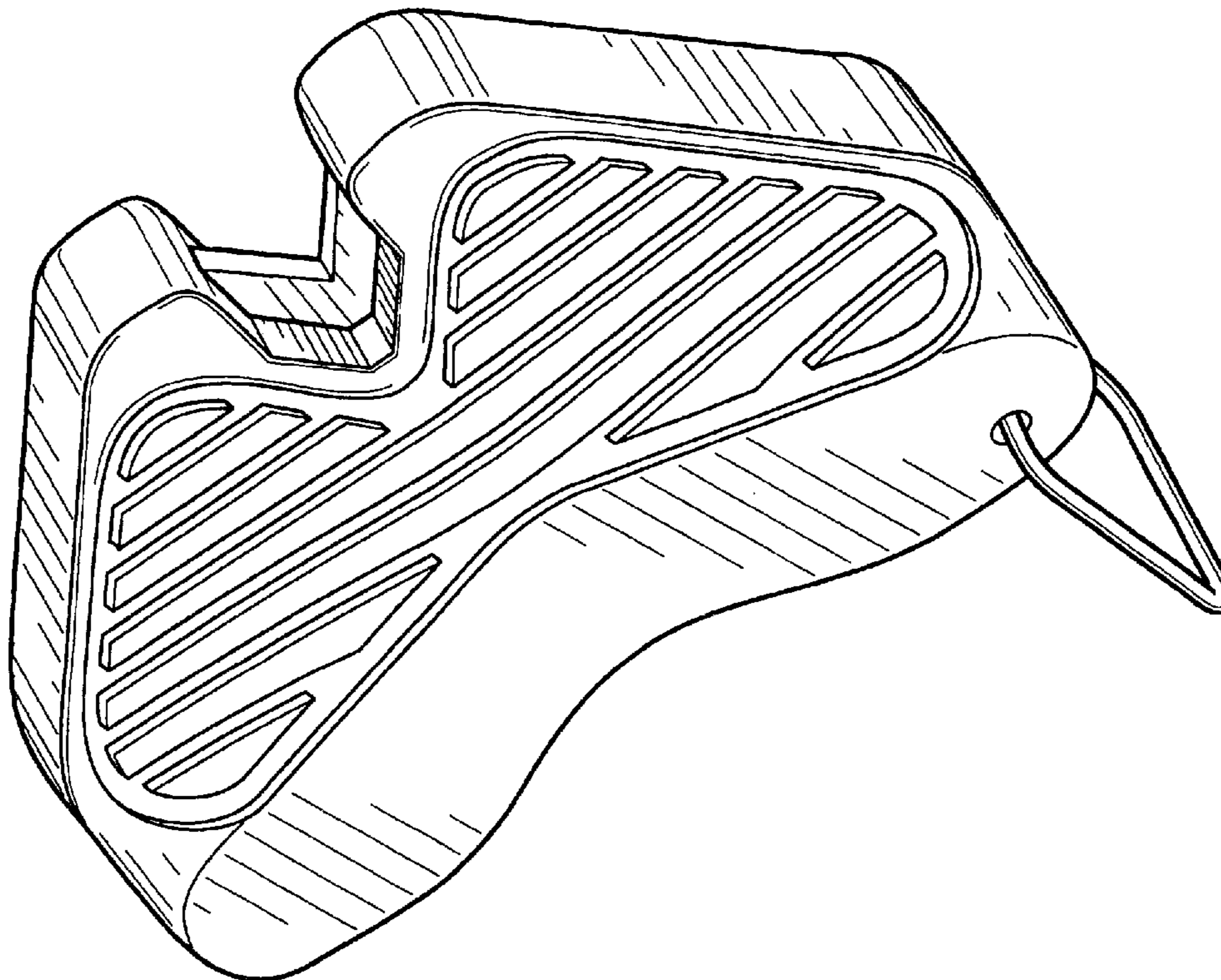
FIG. 2 is a front view thereof;

FIG. 3 is a side view thereof;

FIG. 4 is an opposite side view thereof; and,

FIG. 5 is a top view thereof.

1 Claim, 4 Drawing Sheets



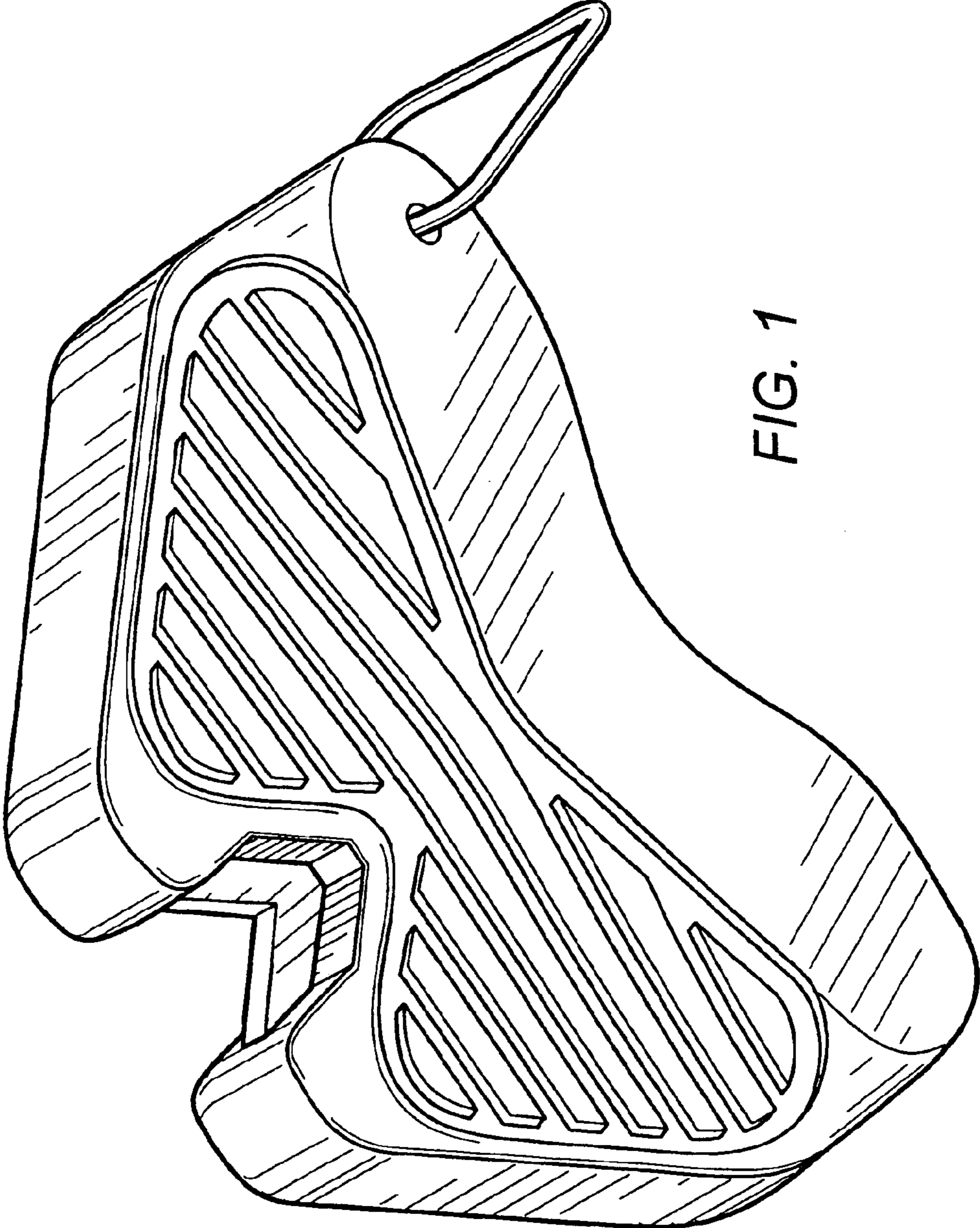


FIG. 1

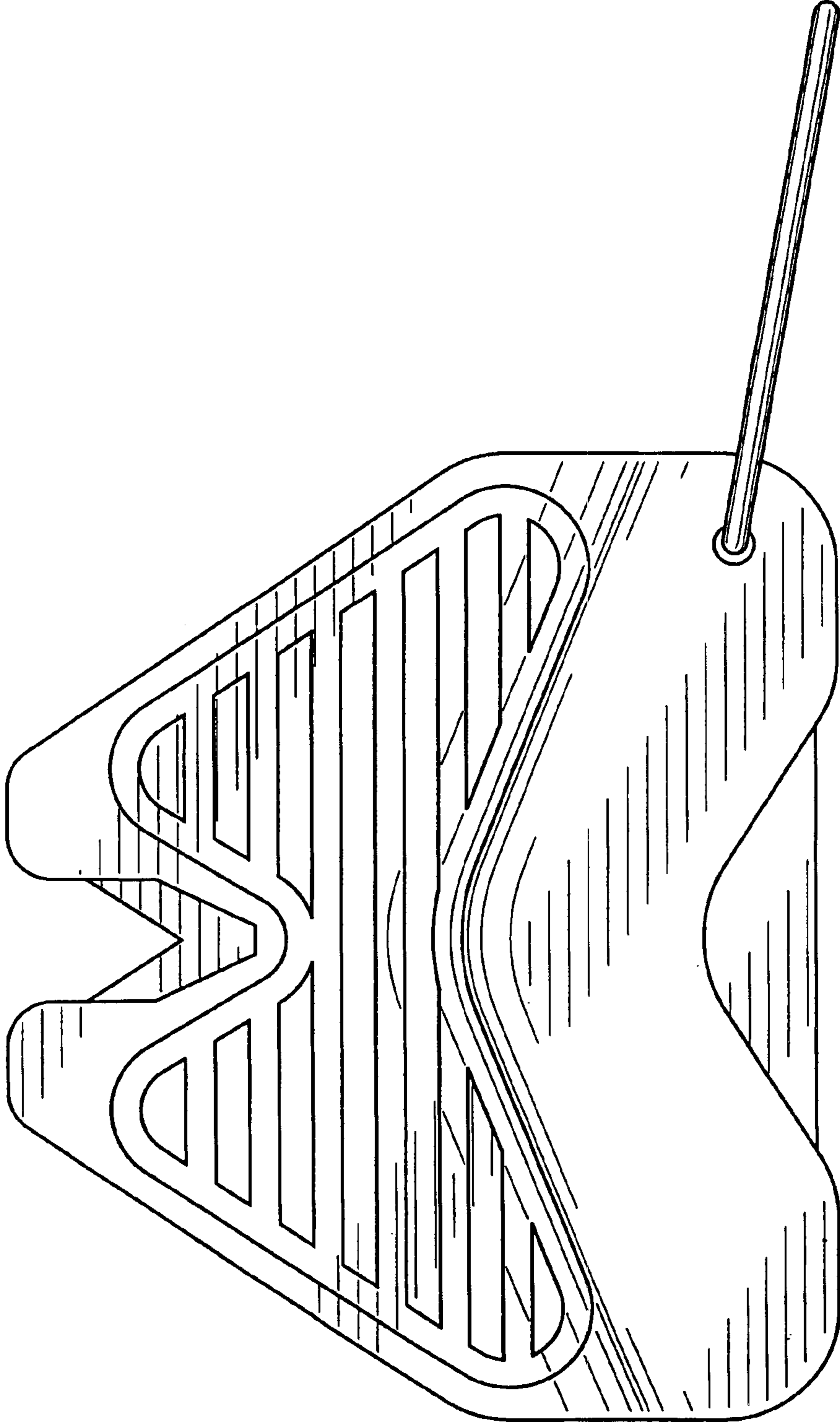


FIG. 2

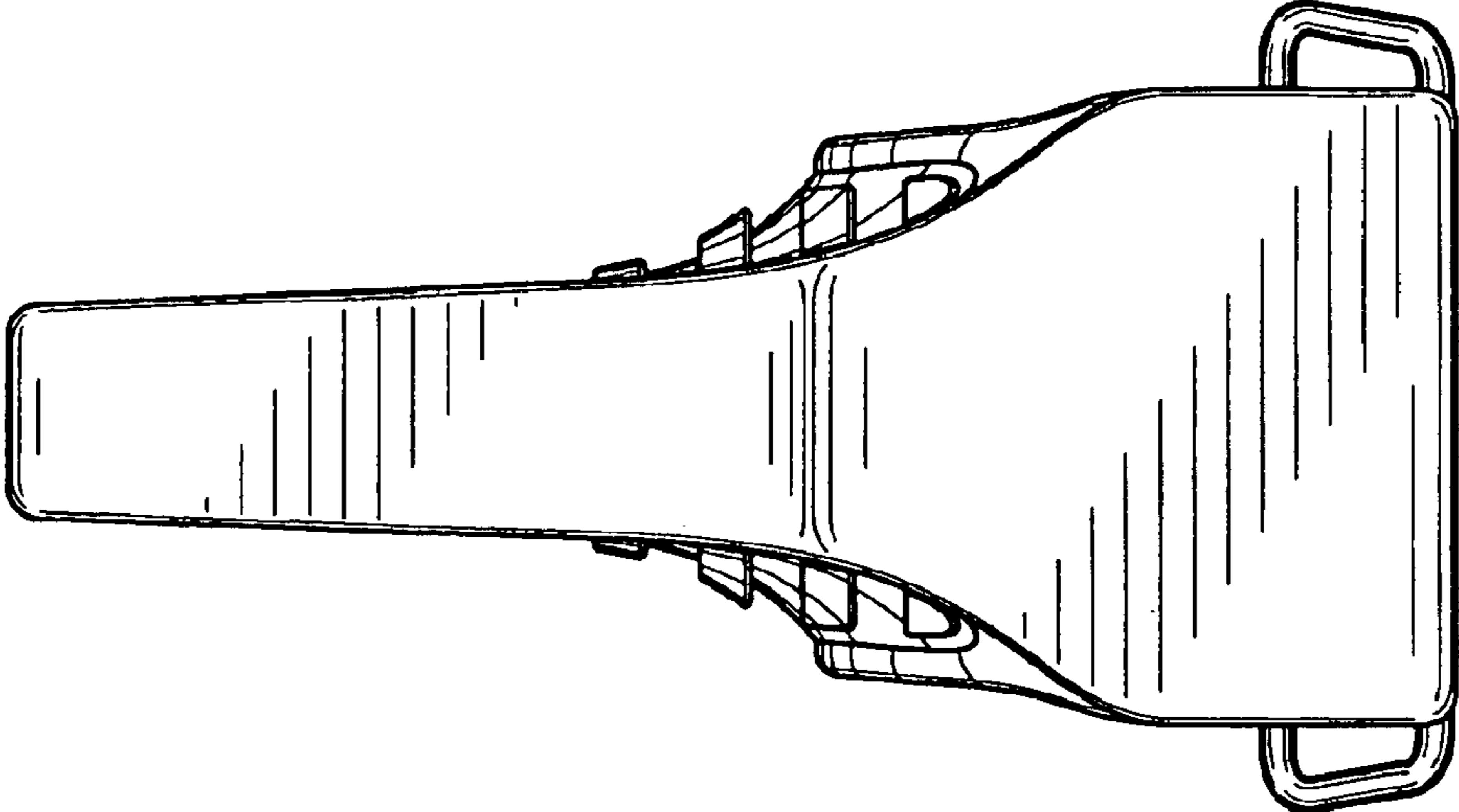


FIG. 4

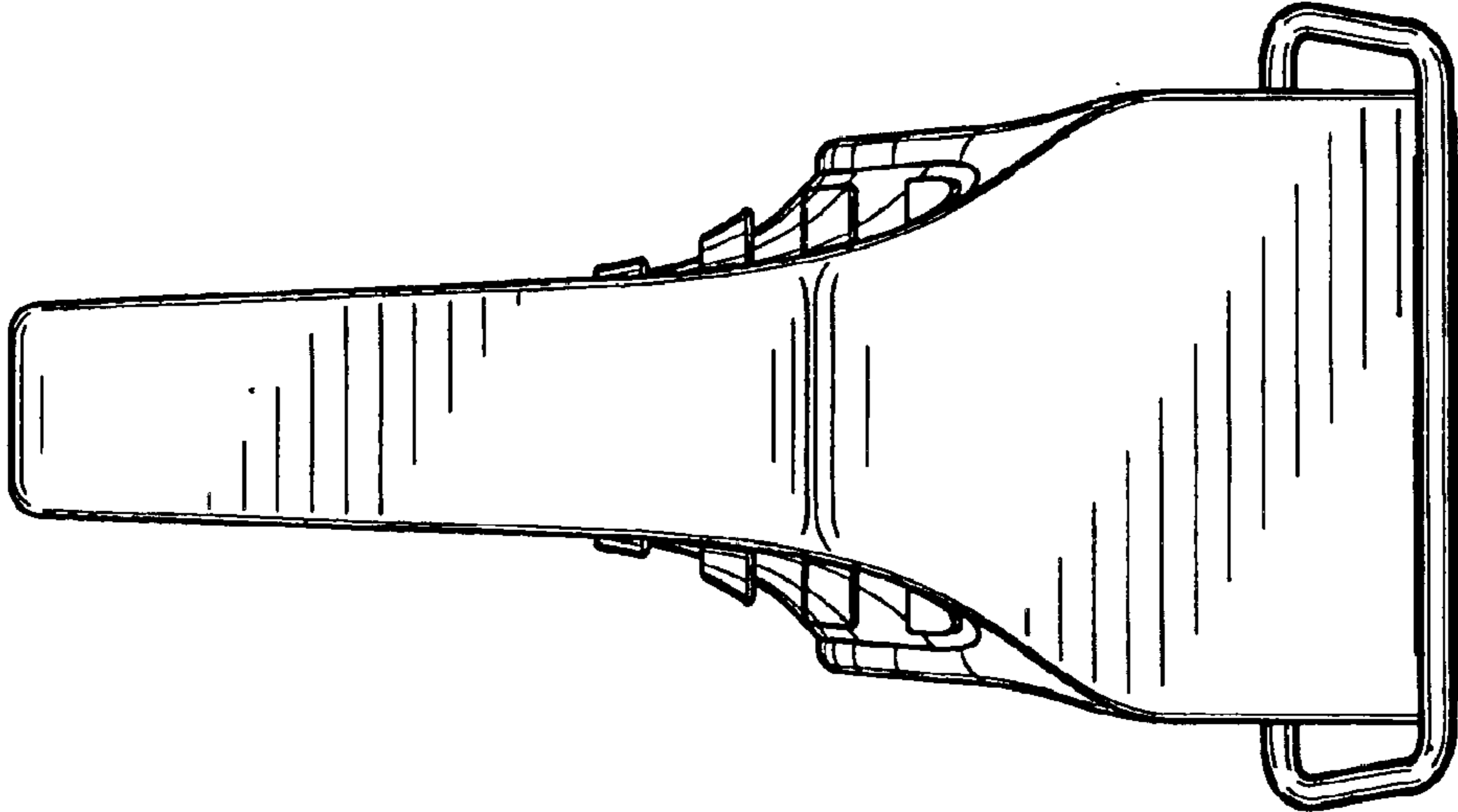


FIG. 3

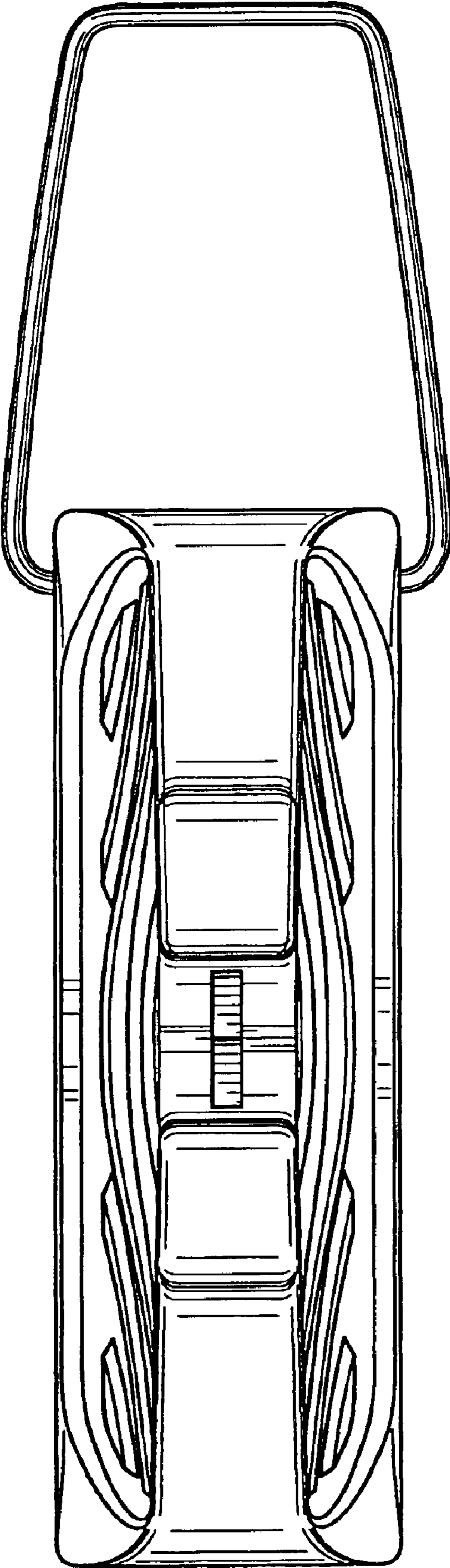


FIG. 5