

US00D508831S

(12) **United States Design Patent**
Schnittker

(10) **Patent No.:** **US D508,831 S**

(45) **Date of Patent:** **** Aug. 30, 2005**

(54) **HAND-HELD BATTERY-POWERED GRASS TRIMMER**

5,265,341 A 11/1993 Kikuchi
D361,701 S * 8/1995 Pink D8/8
5,701,728 A 12/1997 Koka et al.
D417,371 S * 12/1999 Searle et al. D8/8

(76) **Inventor:** **Stephenie E. Schnittker**, 57 Eades Dr.,
Irvine, KY (US) 40336

* cited by examiner

(**) **Term:** **14 Years**

Primary Examiner—Holly Baynham
(74) *Attorney, Agent, or Firm*—Donald R. Schoonover

(21) **Appl. No.:** **29/193,900**

(22) **Filed:** **Nov. 17, 2003**

(57) **CLAIM**

(51) **LOC (8) Cl.** **08-01**

(52) **U.S. Cl.** **D8/8**

(58) **Field of Search** D8/8; 56/12.1,
56/12.7, 17.1; 172/13

I claim the ornamental design for a hand-held battery-powered grass trimmer, as shown and described.

DESCRIPTION

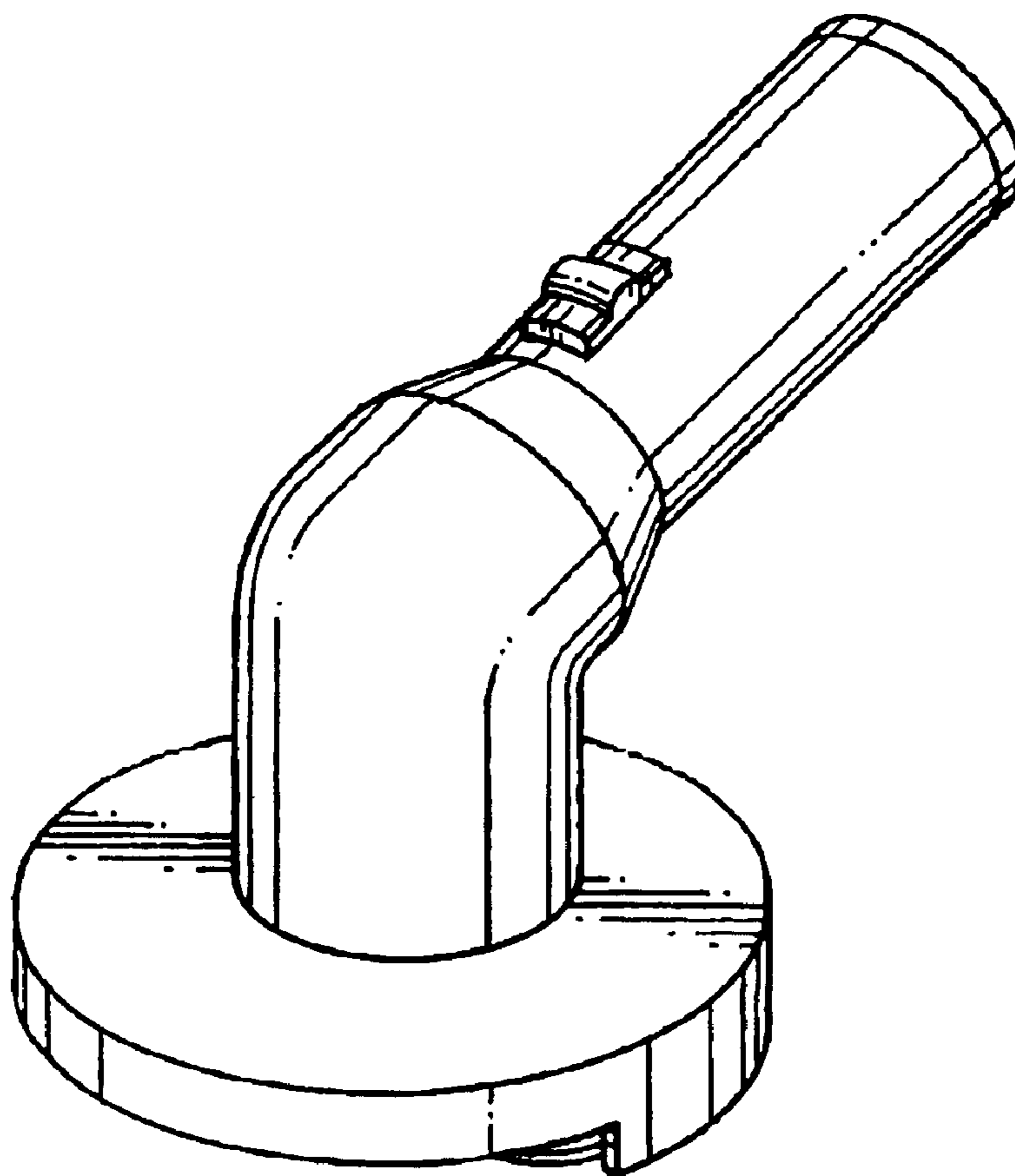
(56) **References Cited**

U.S. PATENT DOCUMENTS

D250,450 S 12/1978 Tiedemann
4,200,978 A 5/1980 Irelan et al.
4,823,464 A 4/1989 Gorski
D303,483 S 9/1989 Takahashi et al.
5,140,249 A 8/1992 Linder et al.
5,181,369 A 1/1993 Everts

FIG. 1 is a perspective view of a hand-held battery-powered grass trimmer showing my new design; FIG. 2 is a front elevational view thereof; FIG. 3 is a rear elevational view thereof; FIG. 4 is a left side elevational view thereof, the right side elevational view being a mirror image thereof; FIG. 5 is a top plan view thereof; and, FIG. 6 is a bottom plan view thereof.

1 Claim, 4 Drawing Sheets



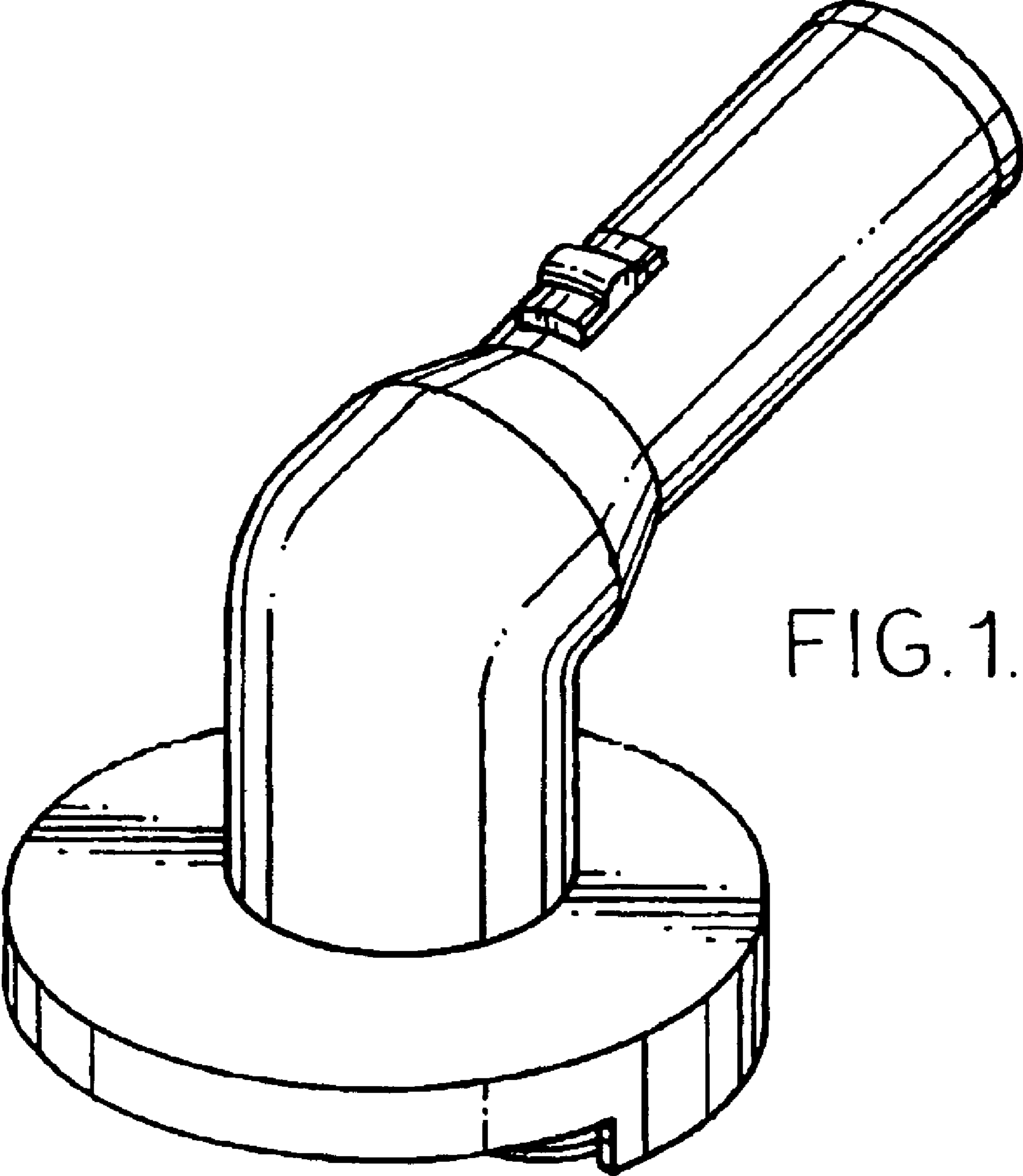


FIG. 1.

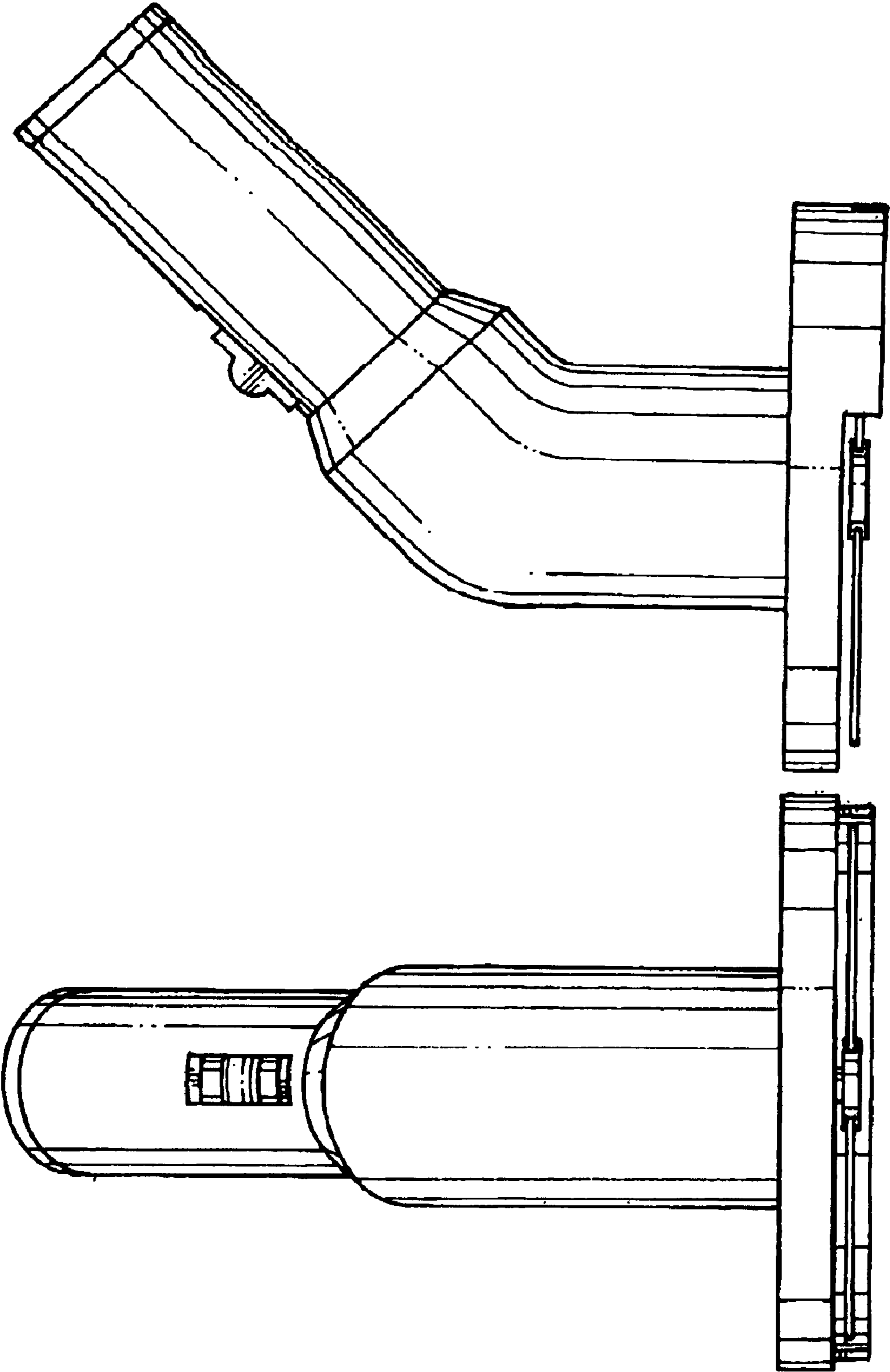


FIG.4.

FIG.2.

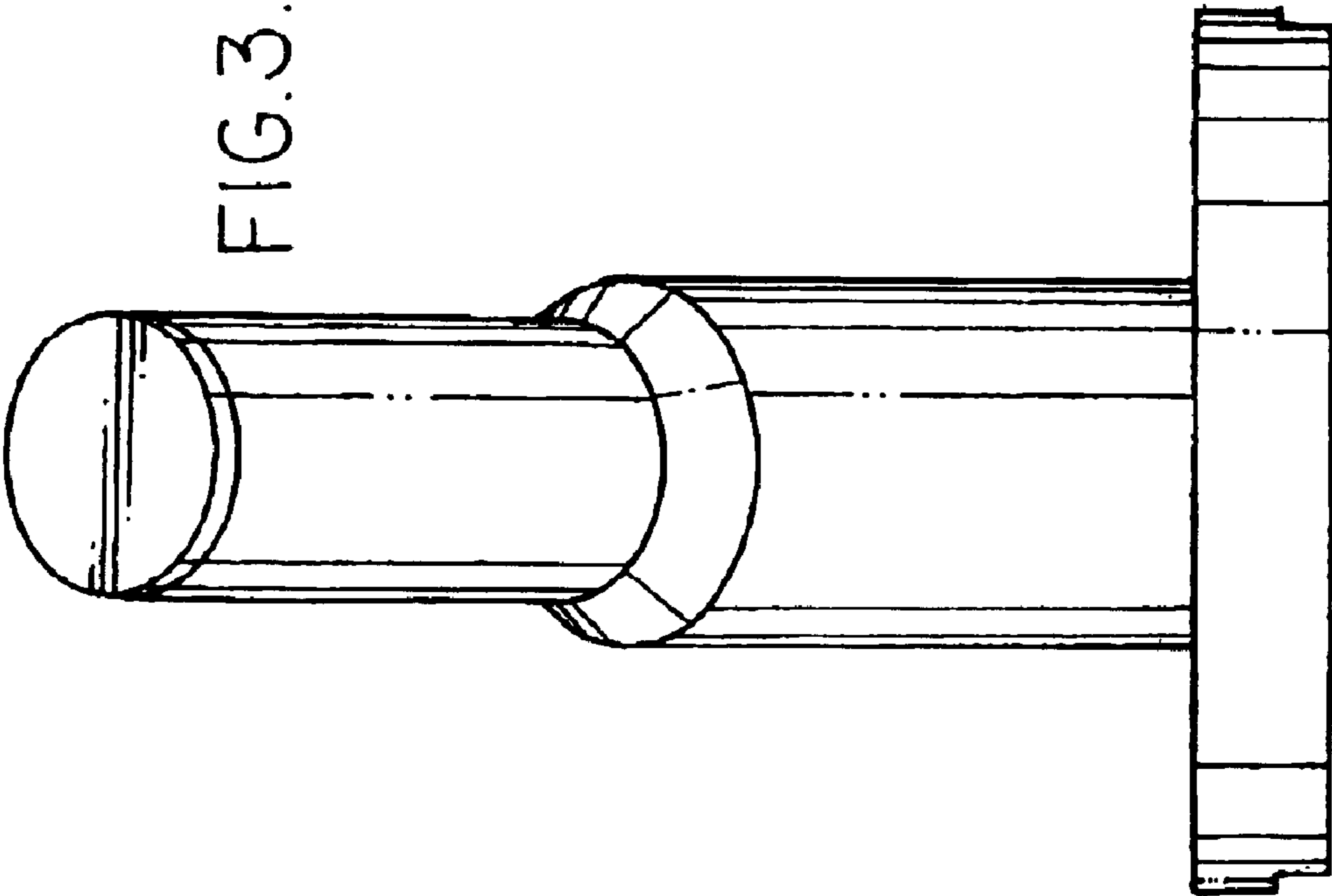


FIG. 3.

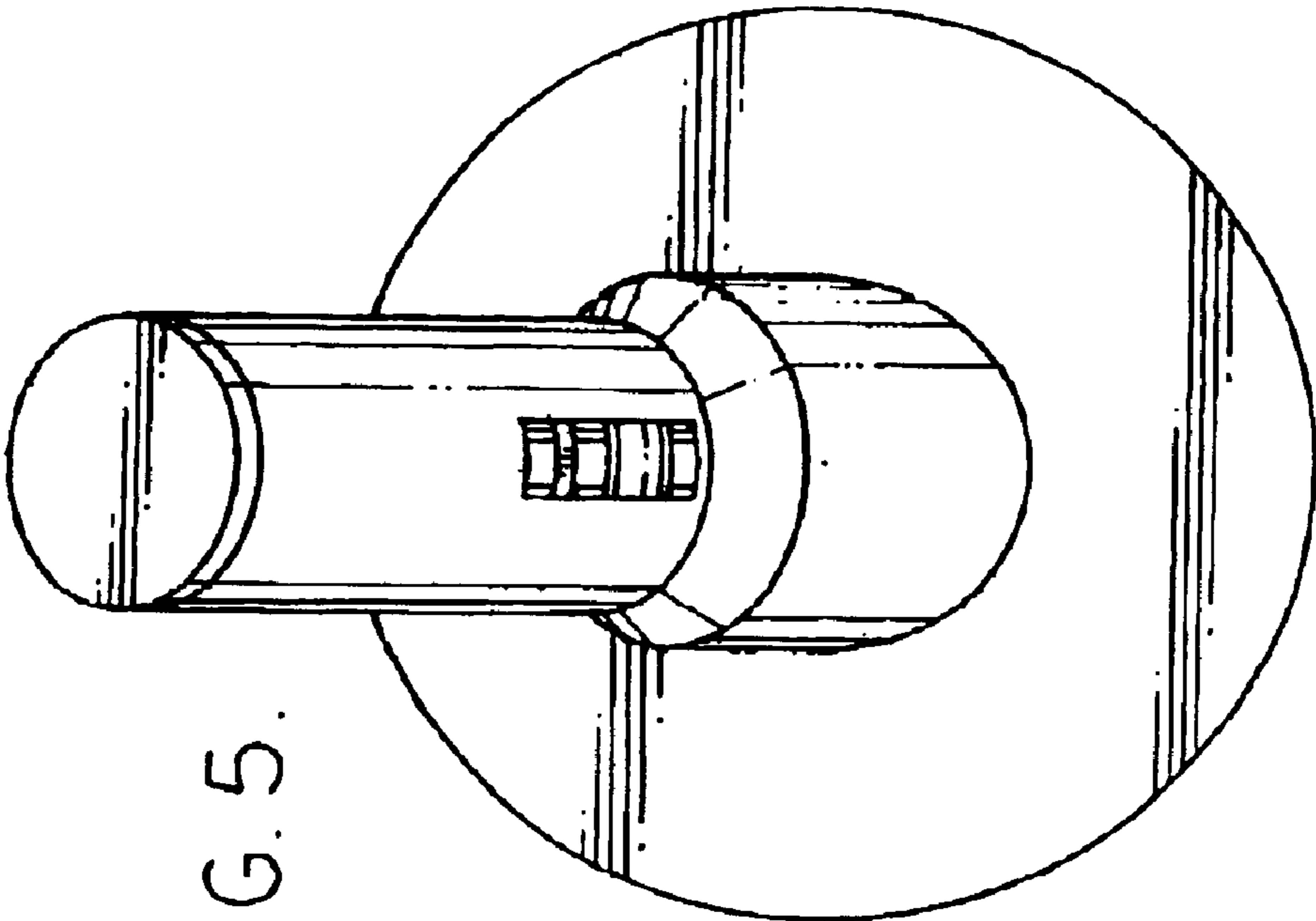


FIG. 5.

FIG. 6.

