

US00D508829S

(12) **United States Design Patent**
Bitter

(10) **Patent No.: US D508,829 S**

(45) **Date of Patent: ** Aug. 30, 2005**

(54) **BRATWURST GRILLING ROLLER**

(74) *Attorney, Agent, or Firm*—Robert T. Johnson

(76) **Inventor: Donald E. Bitter**, W4 165 Main Rd.,
Plymouth, WI (US) 53073

(57) **CLAIM**

I claim the ornamental design for a bratwurst grilling roller,
as shown and described.

(**) **Term: 14 Years**

DESCRIPTION

(21) **Appl. No.: 29/211,581**

FIG. 1 is a front elevation view of the bratwurst grilling roller showing my new design, the rear view being a mirror image;

(22) **Filed: Aug. 19, 2004**

(51) **LOC (8) Cl. 07-02**

FIG. 2—is a right side elevation view thereof,

(52) **U.S. Cl. D7/688**

FIG. 3—is a left side elevation view thereof,

(58) **Field of Search** D7/680–696, 393,
D7/395; 30/322, 323; 294/7, 8, 3, 8.5

FIG. 4—is a plan view of the bottom of the ornamental design for a bratwurst grilling roller,

(56) **References Cited**

FIG. 5—is a top plan view thereof,

U.S. PATENT DOCUMENTS

FIG. 6—is a perspective elevation view thereof; and,

1,761,104 A * 6/1930 Cutler 30/322

FIG. 7—is a setting for the ornamental design for a bratwurst grilling roller.

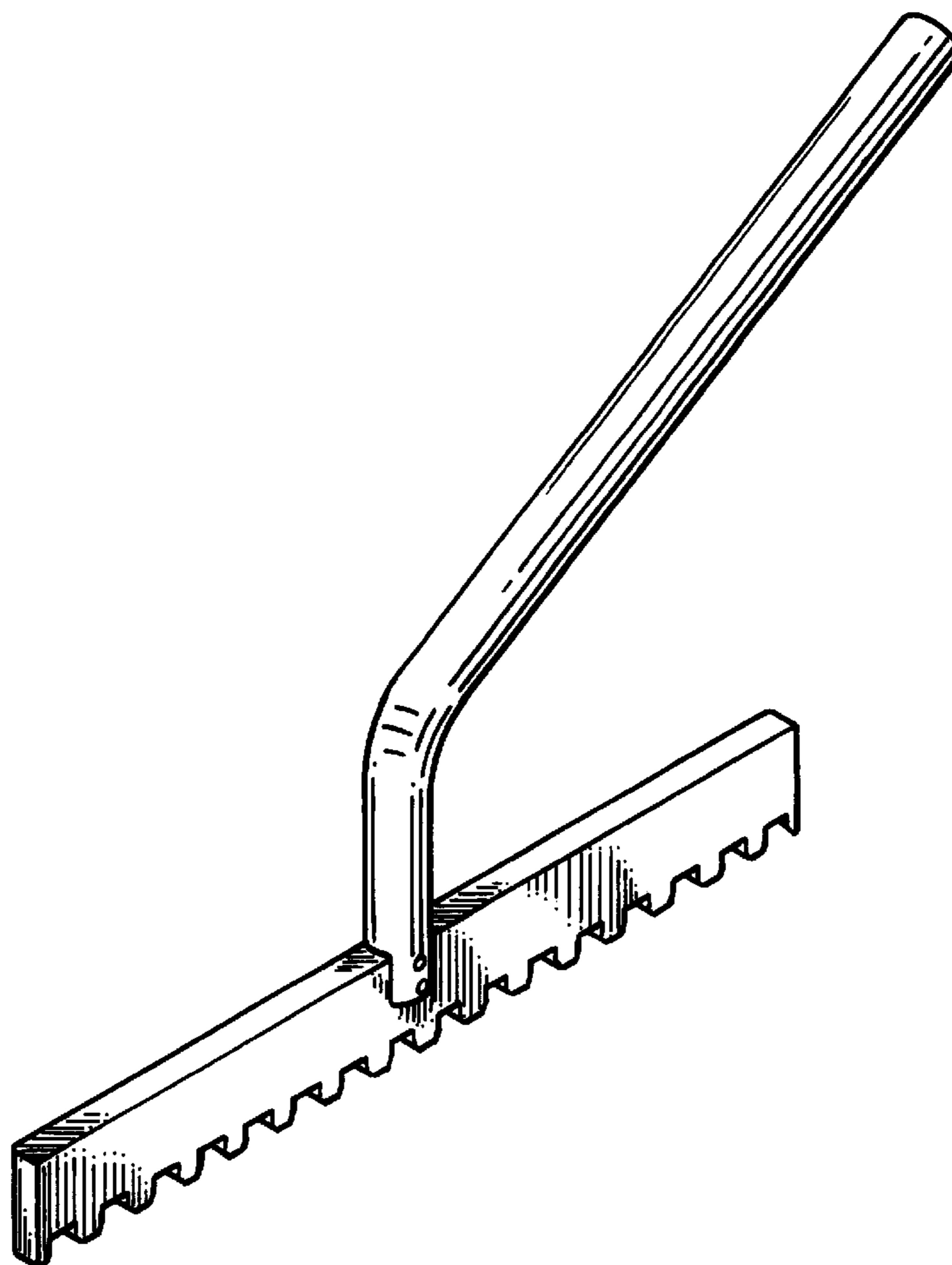
5,601,323 A 2/1997 Kaiser

The broken lines in FIG. 7, are for illustrative purposes only, and form no part of the claimed design of this invention, for ornamental design for a bratwurst grilling roller.

* cited by examiner

1 Claim, 3 Drawing Sheets

Primary Examiner—Terry A. Wallace



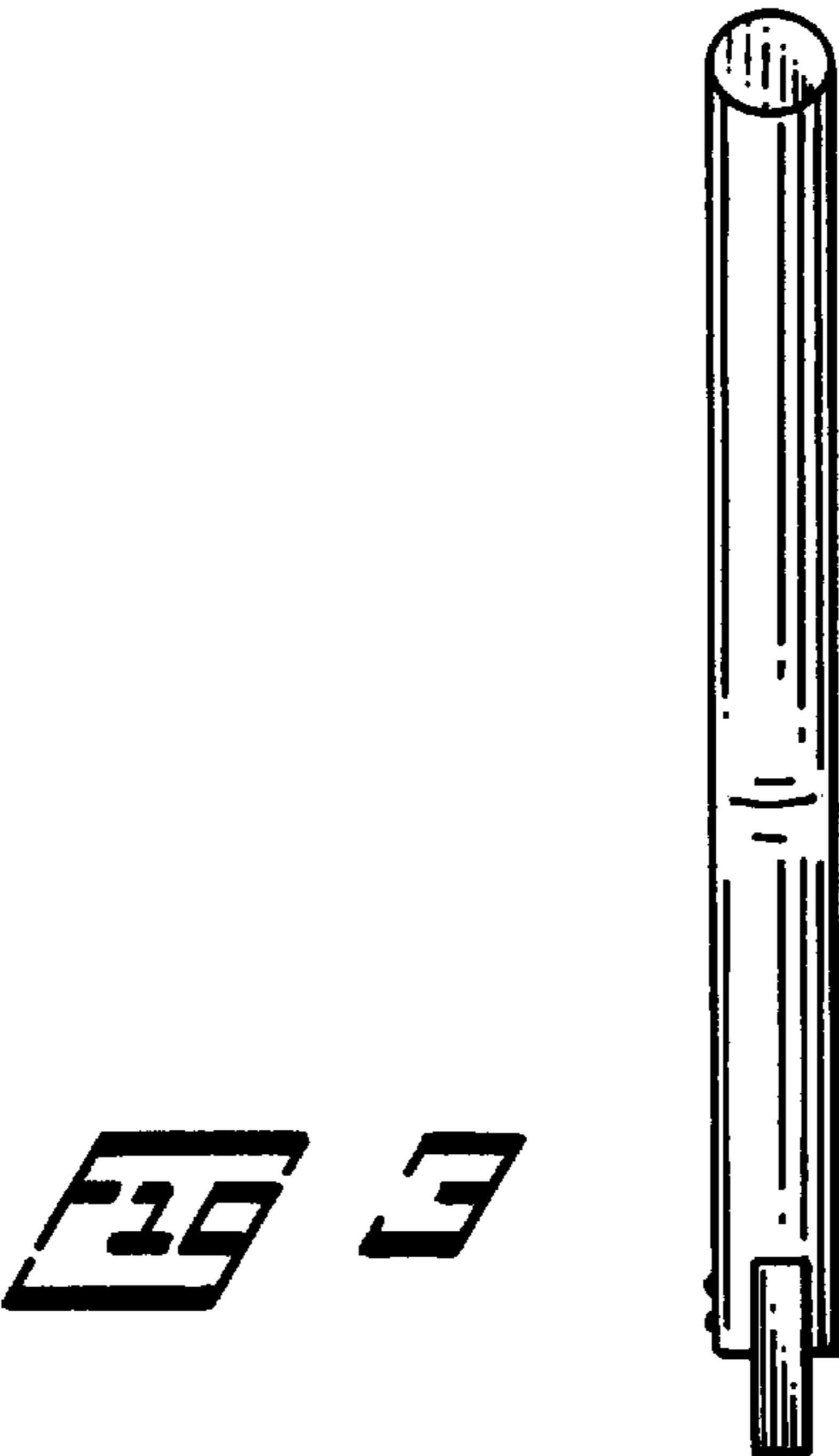
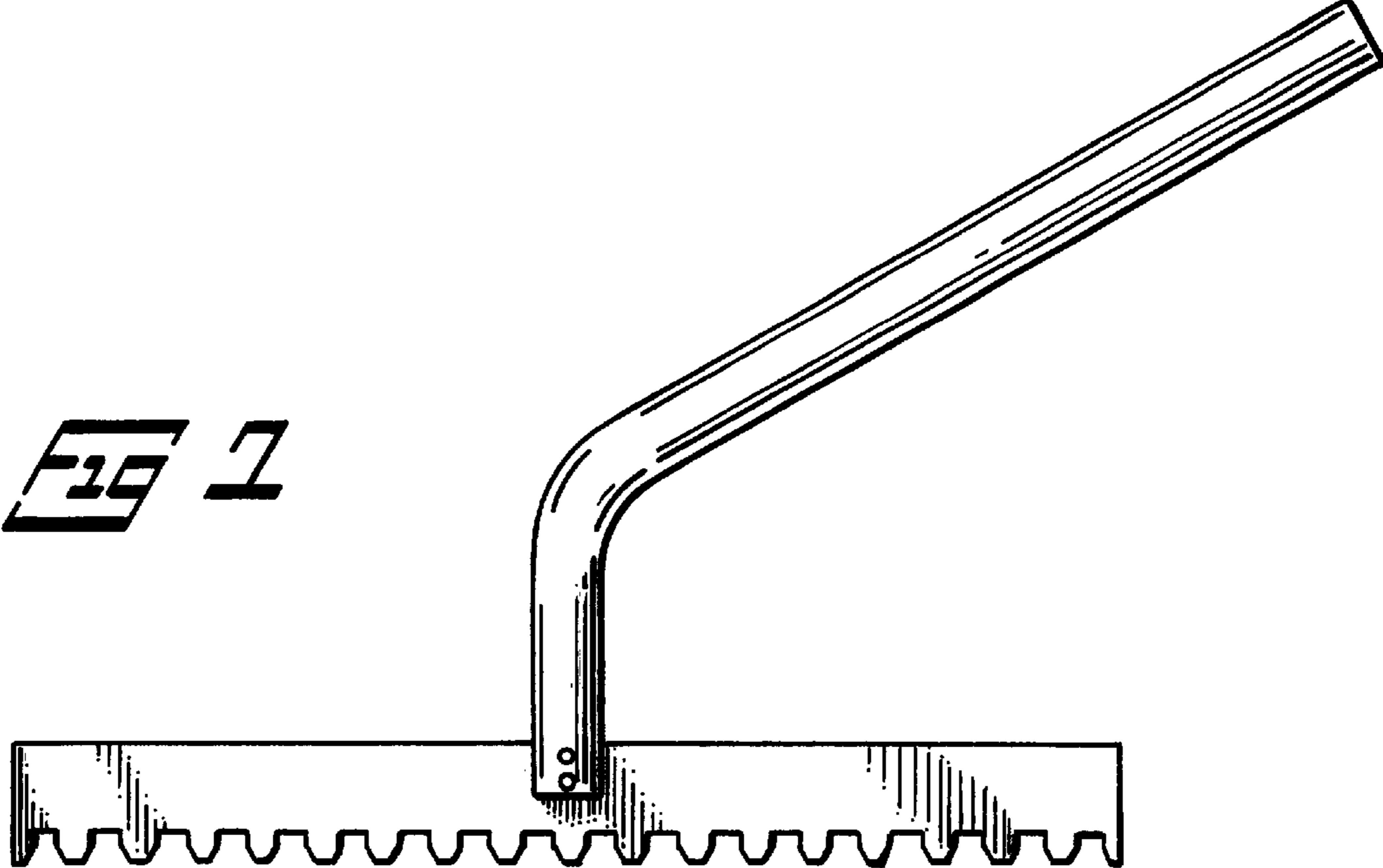




FIG 4

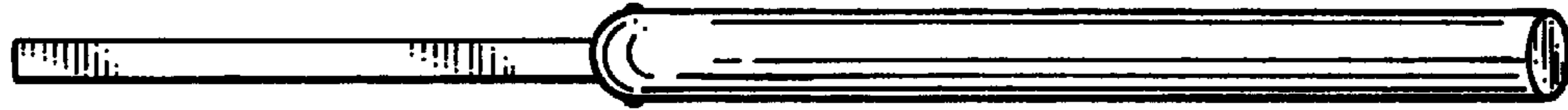


FIG 5

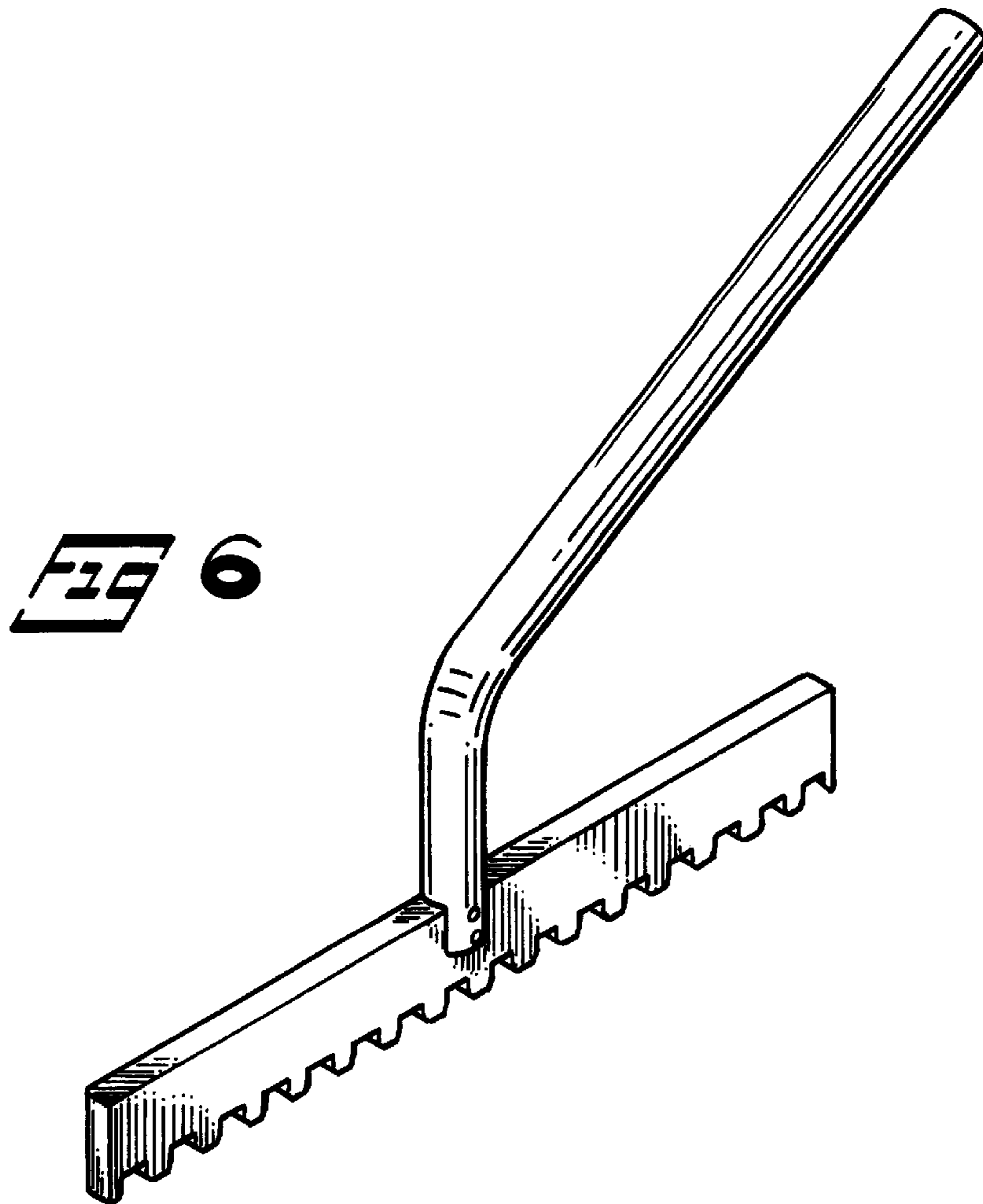


FIG 6

