

US00D508828S

(12) **United States Design Patent**  
Cohen et al.

(10) **Patent No.:** **US D508,828 S**

(45) **Date of Patent:** **\*\* Aug. 30, 2005**

(54) **BASE FOR AN ELECTRICAL APPLIANCE**

6,447,730 B1 \* 9/2002 Kuchar ..... 248/311.2

(75) Inventors: **Eli Cohen**, Lev HaSharon (IL); **Ann Grant**, New York, NY (US)

\* cited by examiner

*Primary Examiner*—Terry A. Wallace

(73) Assignee: **AAC Trade Ltd.**, New York, NY (US)

(74) *Attorney, Agent, or Firm*—G.E. Ehrlich (1995) Ltd.

(\*\*) Term: **14 Years**

(57) **CLAIM**

The ornamental design for a base for an electrical appliance, as shown.

(21) Appl. No.: **29/203,513**

(22) Filed: **Apr. 16, 2004**

**DESCRIPTION**

(51) **LOC (8) Cl.** ..... **31-00**

FIG. 1 is a perspective view of a base for an electrical appliance showing our new design;

(52) **U.S. Cl.** ..... **D7/665**

FIG. 2 is a top plan view thereof;

(58) **Field of Search** ..... D7/665–668, 387,

FIG. 3 is a side elevational view thereof;

D7/368, 619.1, 624.1; D21/789, 792, 796;

FIG. 4 is a bottom plan view thereof;

D32/56, 57; 215/392–395; 248/346.11

FIG. 5 is a front elevational view thereof; and,

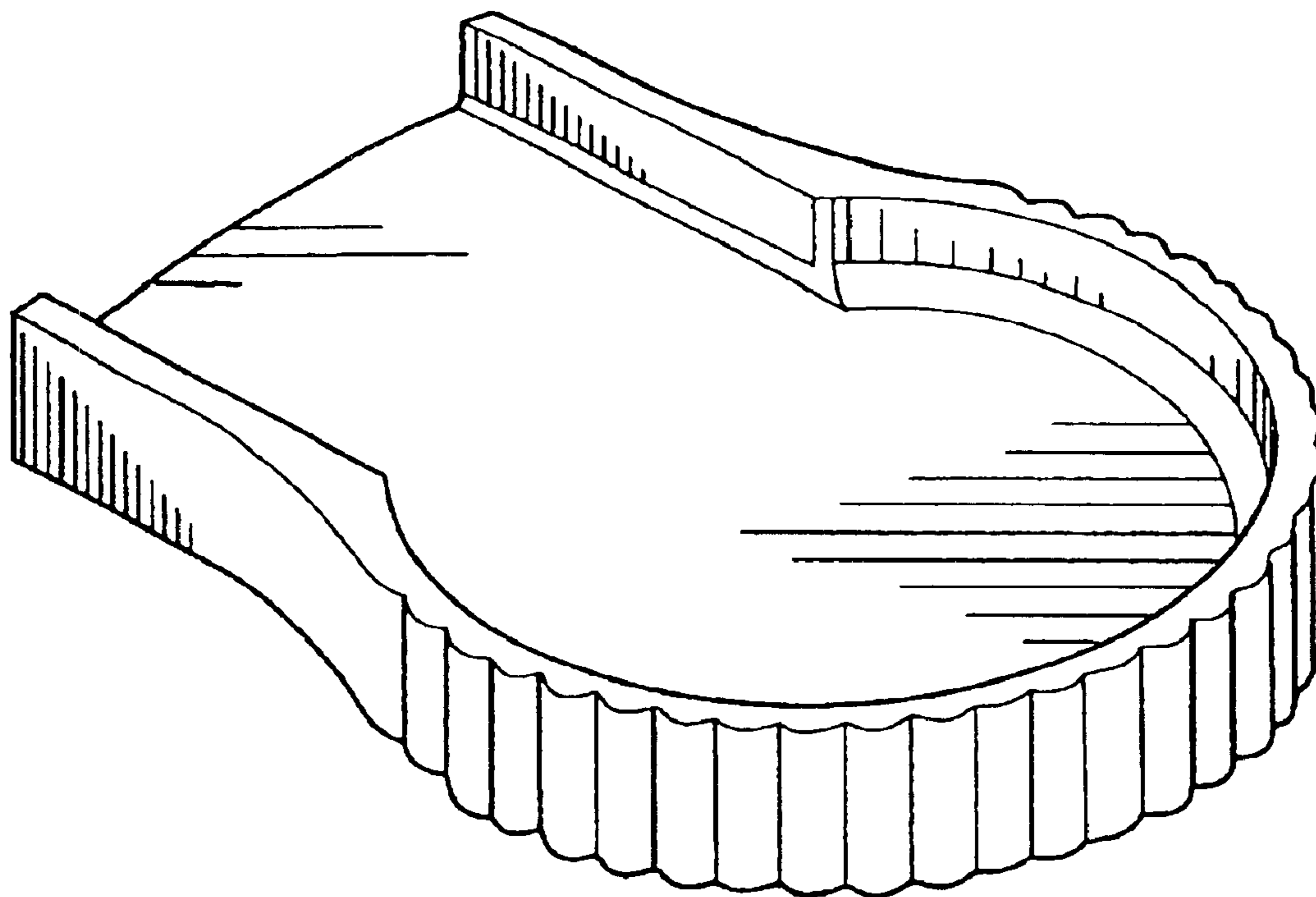
(56) **References Cited**

FIG. 6 is an end elevational view thereof.

**U.S. PATENT DOCUMENTS**

4,765,360 A \* 8/1988 Baird ..... 248/346.11

**1 Claim, 2 Drawing Sheets**



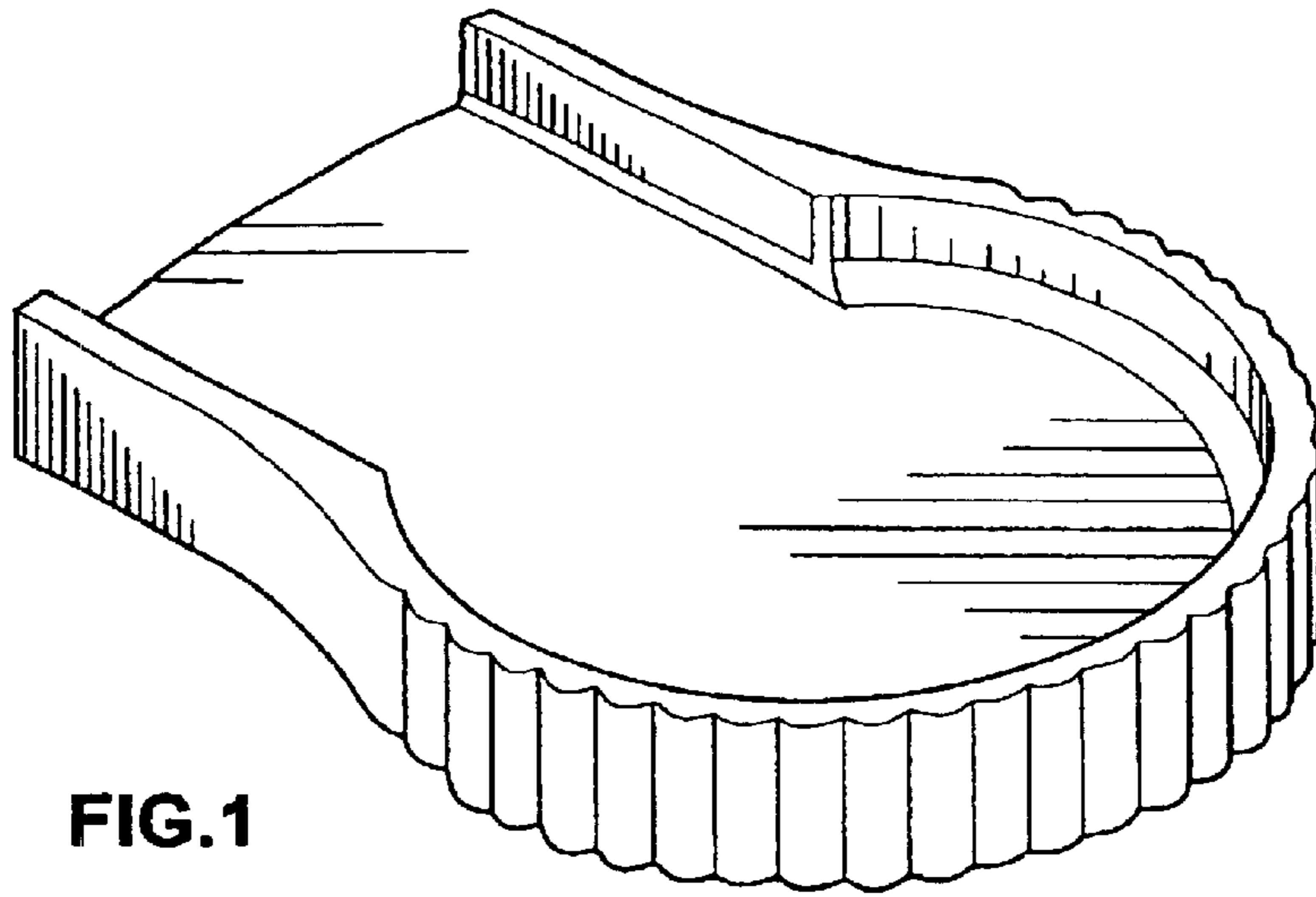


FIG. 1

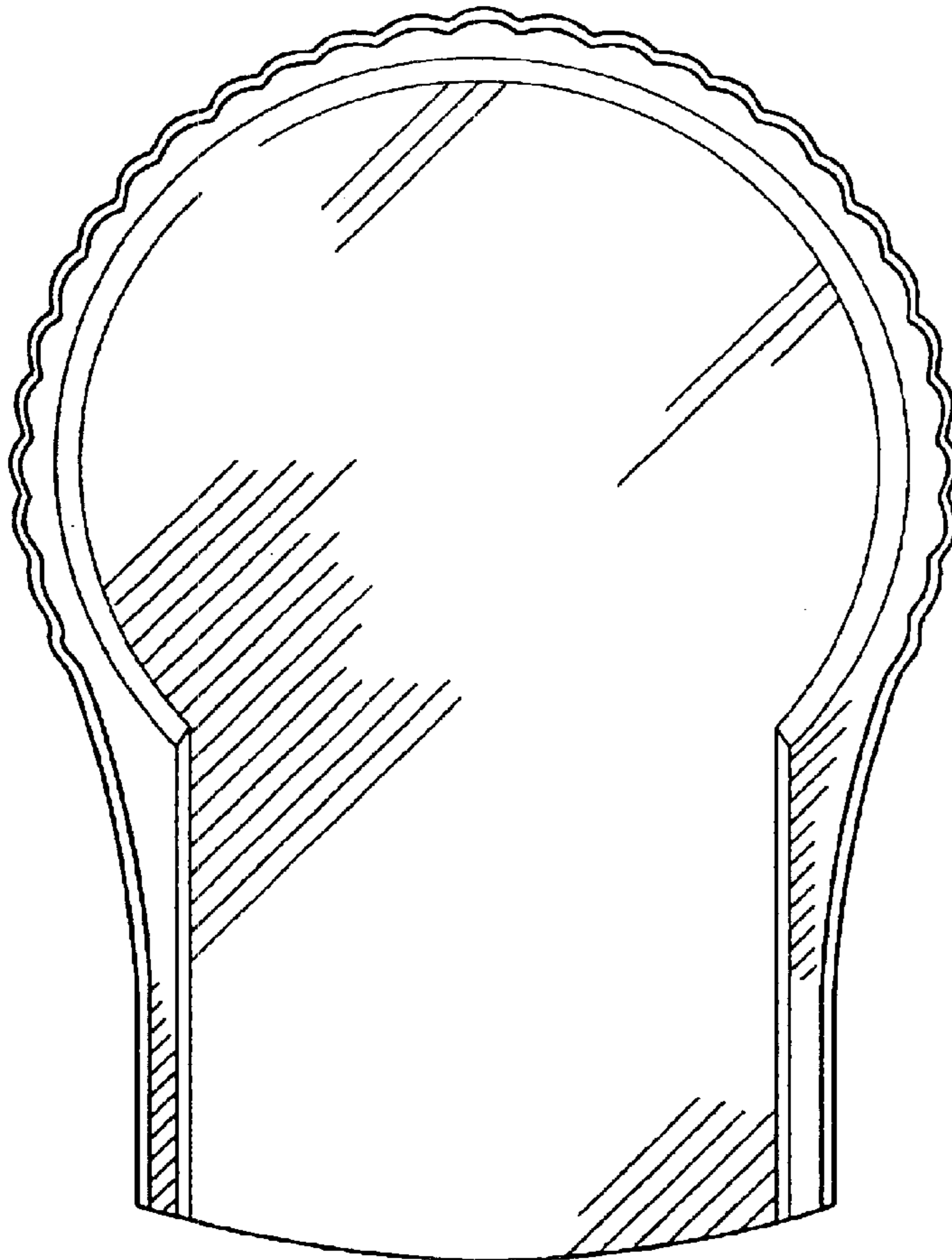


FIG. 2

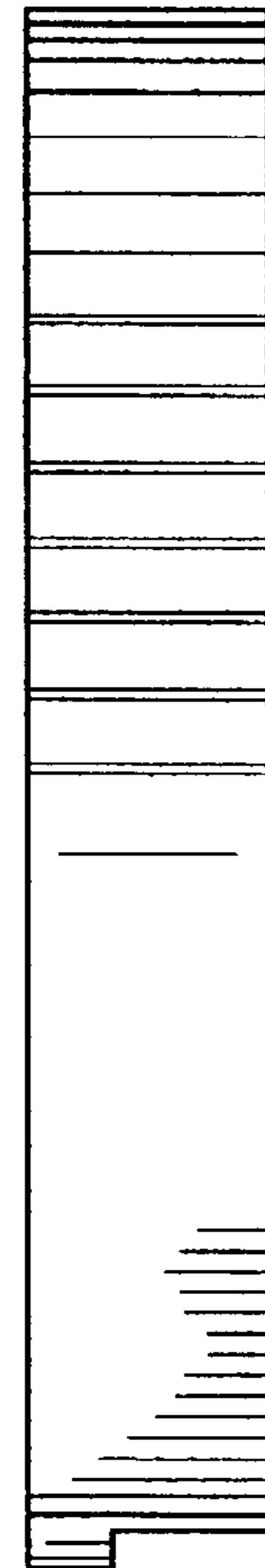


FIG. 3

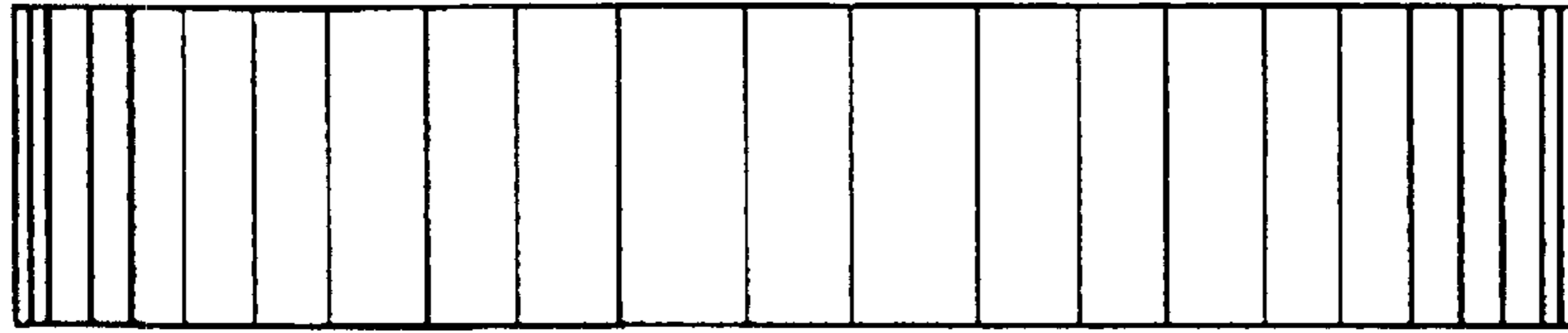


FIG. 5

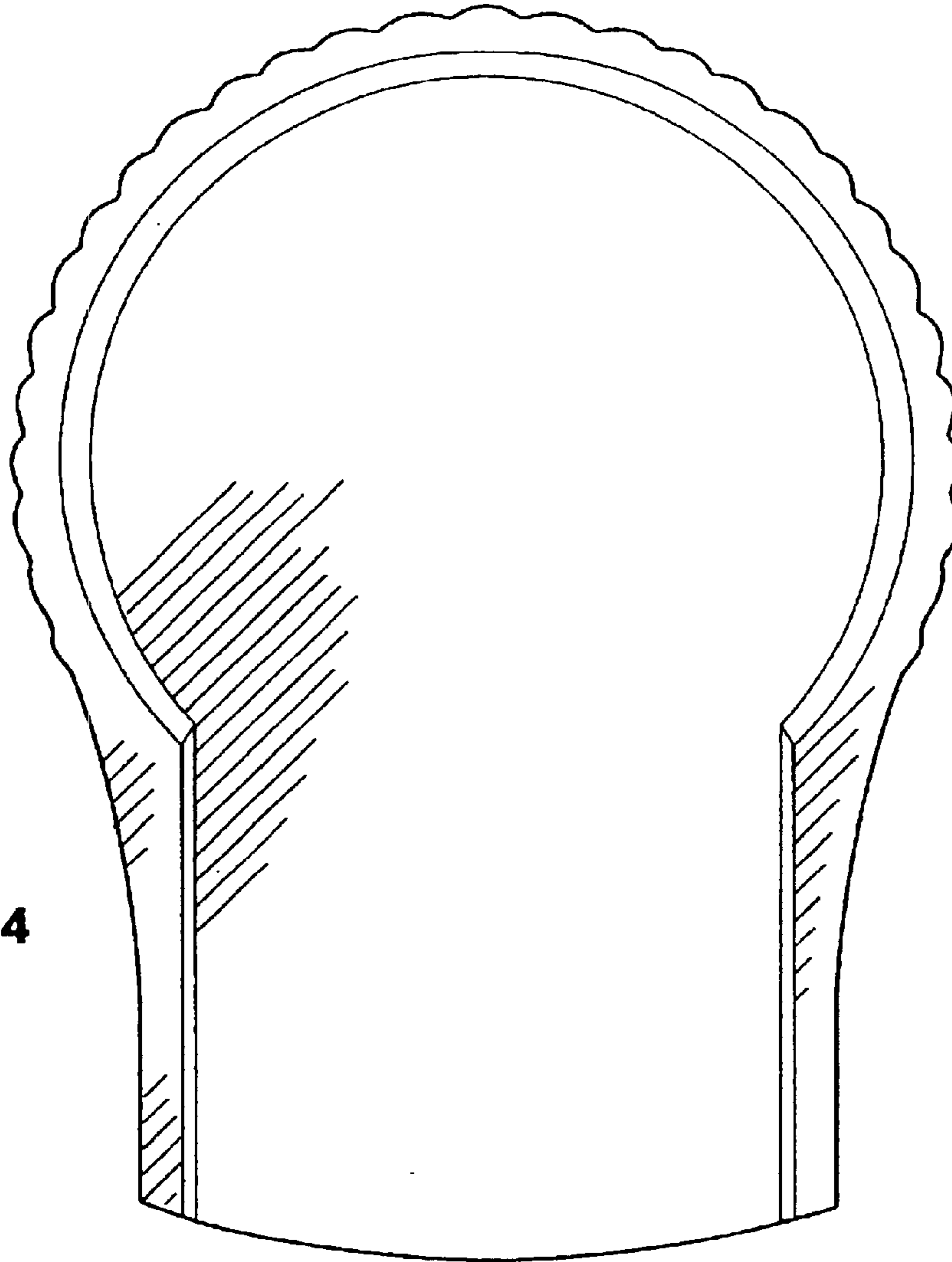


FIG. 4

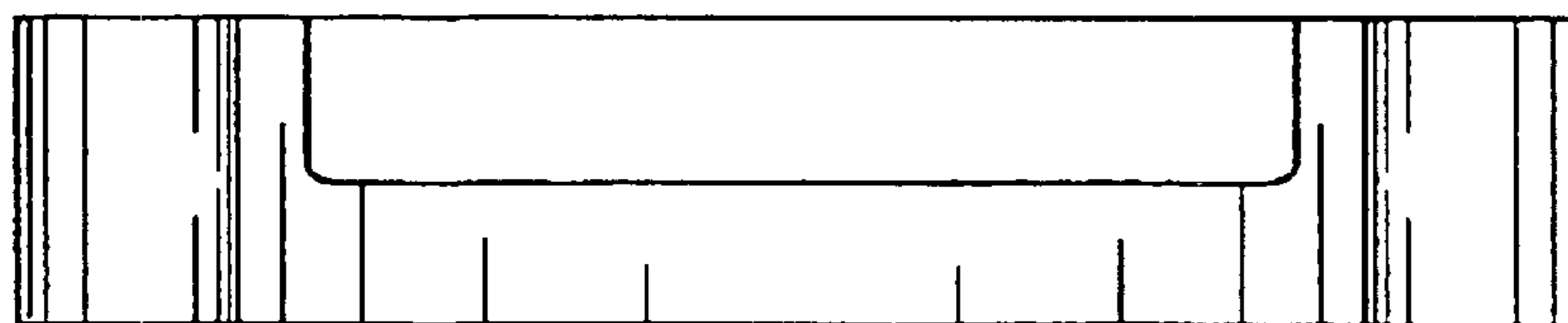


FIG. 6