

US00D508826S

(12) **United States Design Patent**  
**Bidwell et al.**

(10) **Patent No.:** **US D508,826 S**  
(45) **Date of Patent:** **\*\* Aug. 30, 2005**

(54) **PRODUCT HOLDING COOLER**

(75) Inventors: **Christopher C. Bidwell**, Dunwoody, GA (US); **Jonathan M. Wood**, Monroe, GA (US); **Richard P. Morrison**, Tunnel Hill, GA (US)

(73) Assignee: **Presence From Innovation, LLC**, St. Louis, MO (US)

(\*\*) Term: **14 Years**

(21) Appl. No.: **29/210,321**

(22) Filed: **Jul. 29, 2004**

(51) **LOC (8) Cl.** ..... **07-01**

(52) **U.S. Cl.** ..... **D7/605**

(58) **Field of Search** ..... D7/605-608, 619.1-625; 222/146.6, 185.1; 62/371, 372, 457.1-457.7

(56) **References Cited**

**U.S. PATENT DOCUMENTS**

D204,521 S	*	4/1966	Kelley, Jr.	.....	D7/619.1
4,664,297 A	*	5/1987	Giovinazzi	.....	222/185.1
4,724,682 A		2/1988	Flum		
4,982,840 A		1/1991	Bidwell et al.		
4,995,238 A		2/1991	King		
5,048,171 A		9/1991	Bidwell et al.		
D323,267 S		1/1992	Bidwell		
D326,800 S		6/1992	Flum		

D326,801 S		6/1992	Flum		
D354,640 S		1/1995	Flum		
5,377,878 A	*	1/1995	Rainey et al.	.....	222/146.6
5,910,162 A		6/1999	Harbour et al.		
D460,291 S		7/2002	Miller et al.		
D475,895 S	*	6/2003	Ancona et al.	.....	D7/605
D475,896 S		6/2003	Flum		
6,612,123 B2		9/2003	Miller, Jr. et al.		

\* cited by examiner

*Primary Examiner*—Terry A. Wallace

(74) *Attorney, Agent, or Firm*—Blackwell Sanders Peper Martin LLP

(57) **CLAIM**

The ornamental design for a product holding cooler, as shown and described.

**DESCRIPTION**

FIG. 1 is a perspective view of a product holding cooler showing our new design.

FIG. 2 is a front elevational view thereof.

FIG. 3 is a rear elevational view thereof.

FIG. 4 is a left side elevational view thereof.

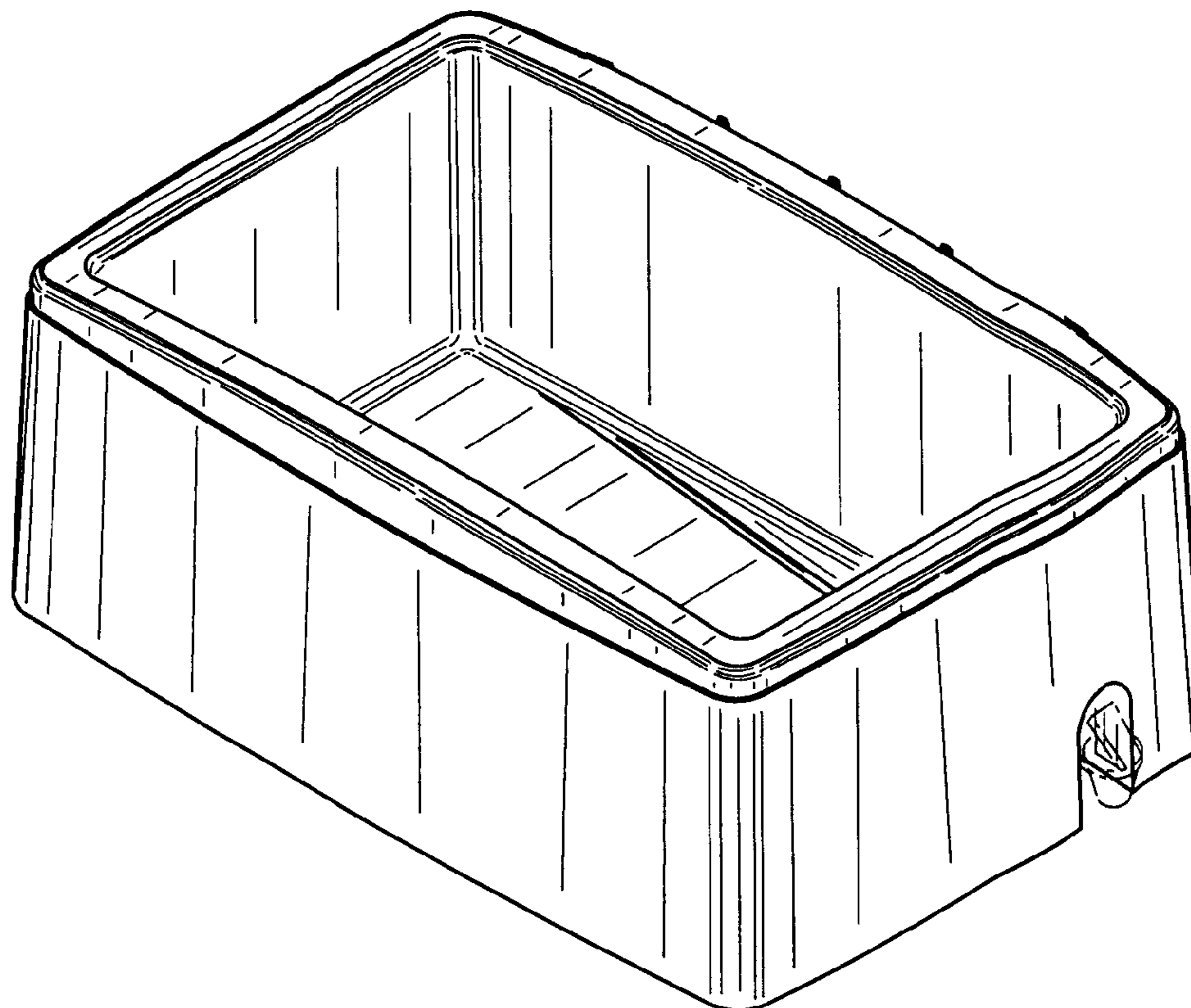
FIG. 5 is a right side elevational view thereof.

FIG. 6 is a top plan view thereof; and,

FIG. 7 is a bottom plan view thereof.

The broken lines are for illustrative purposes only and form no part of the claimed design.

**1 Claim, 3 Drawing Sheets**



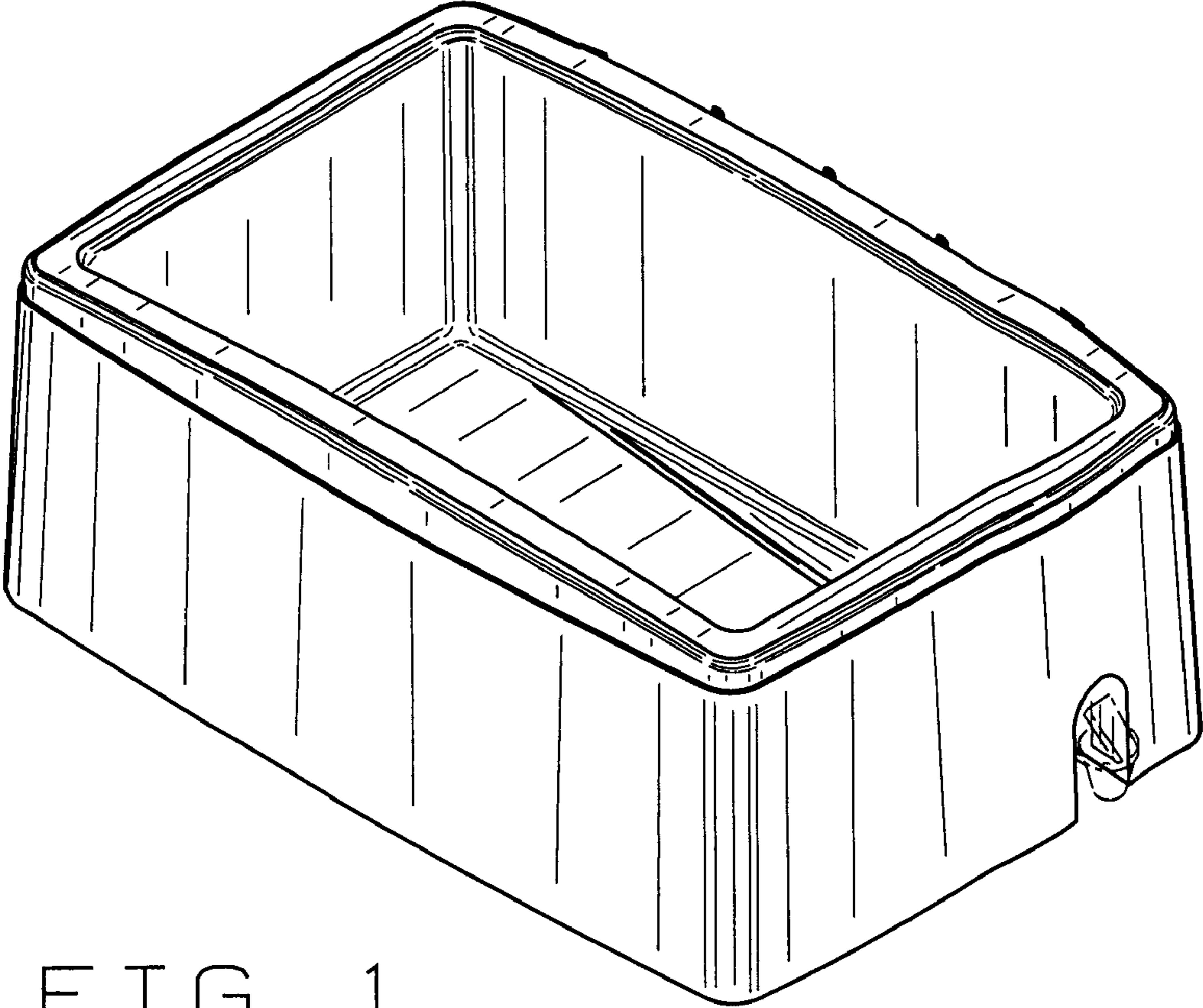


FIG. 1

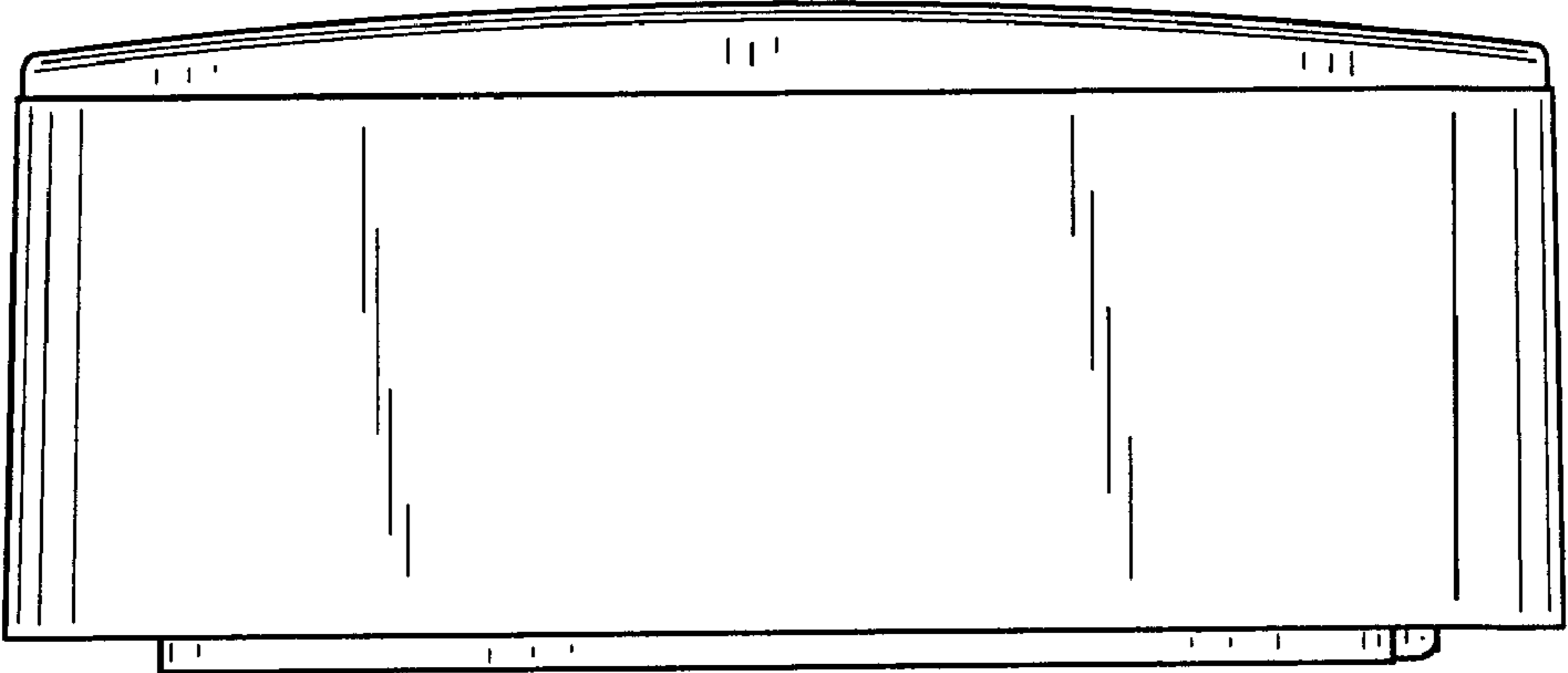


FIG. 2

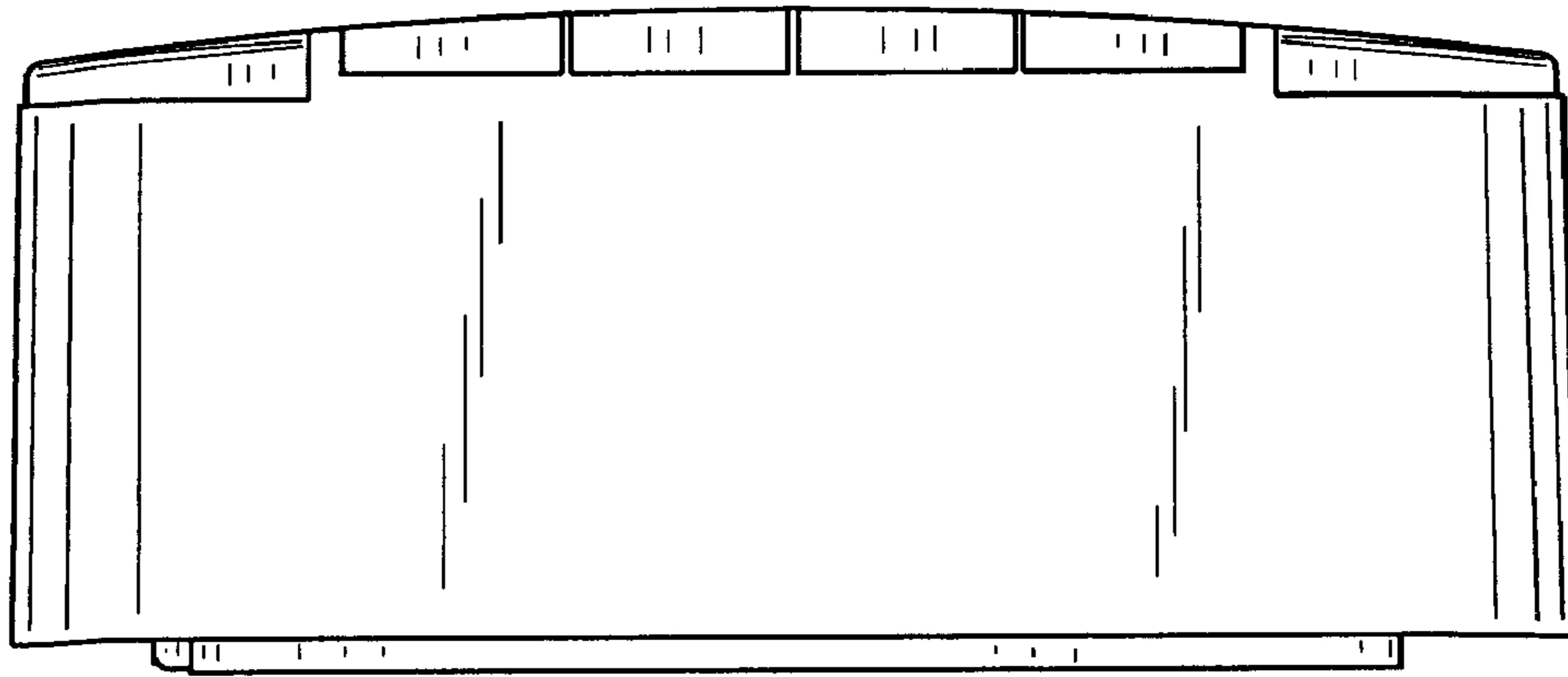


FIG. 3

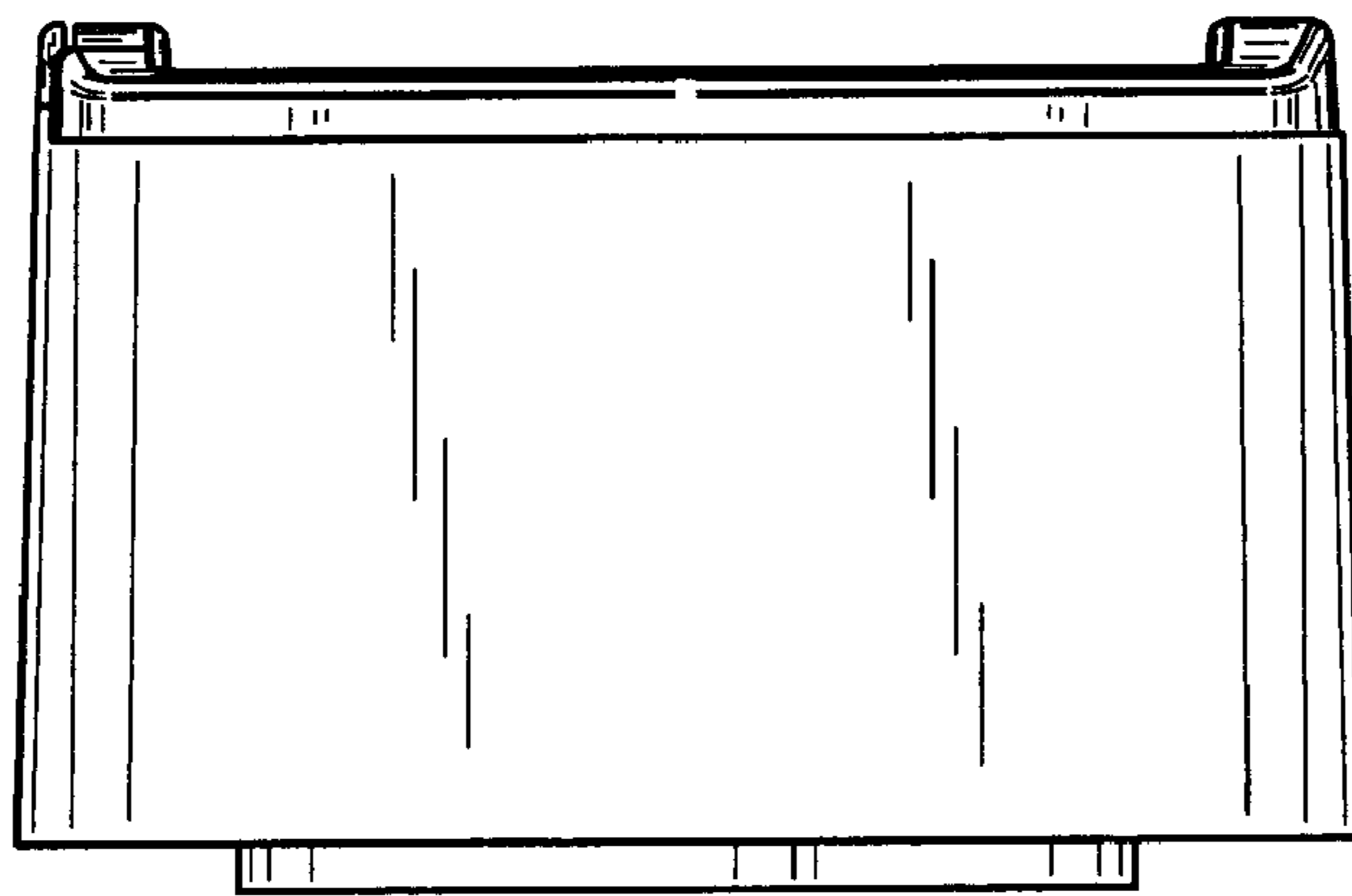


FIG. 4

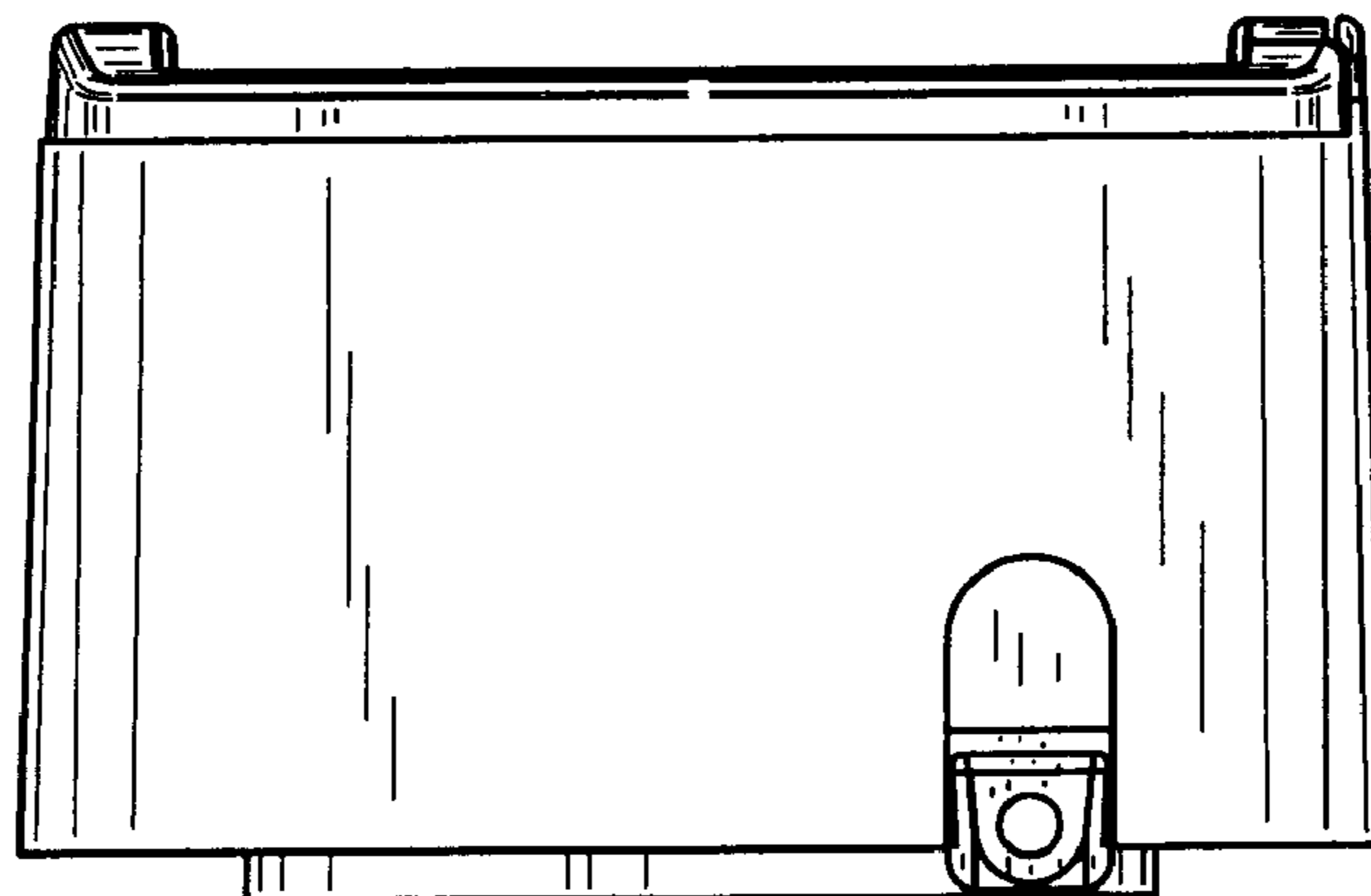


FIG. 5

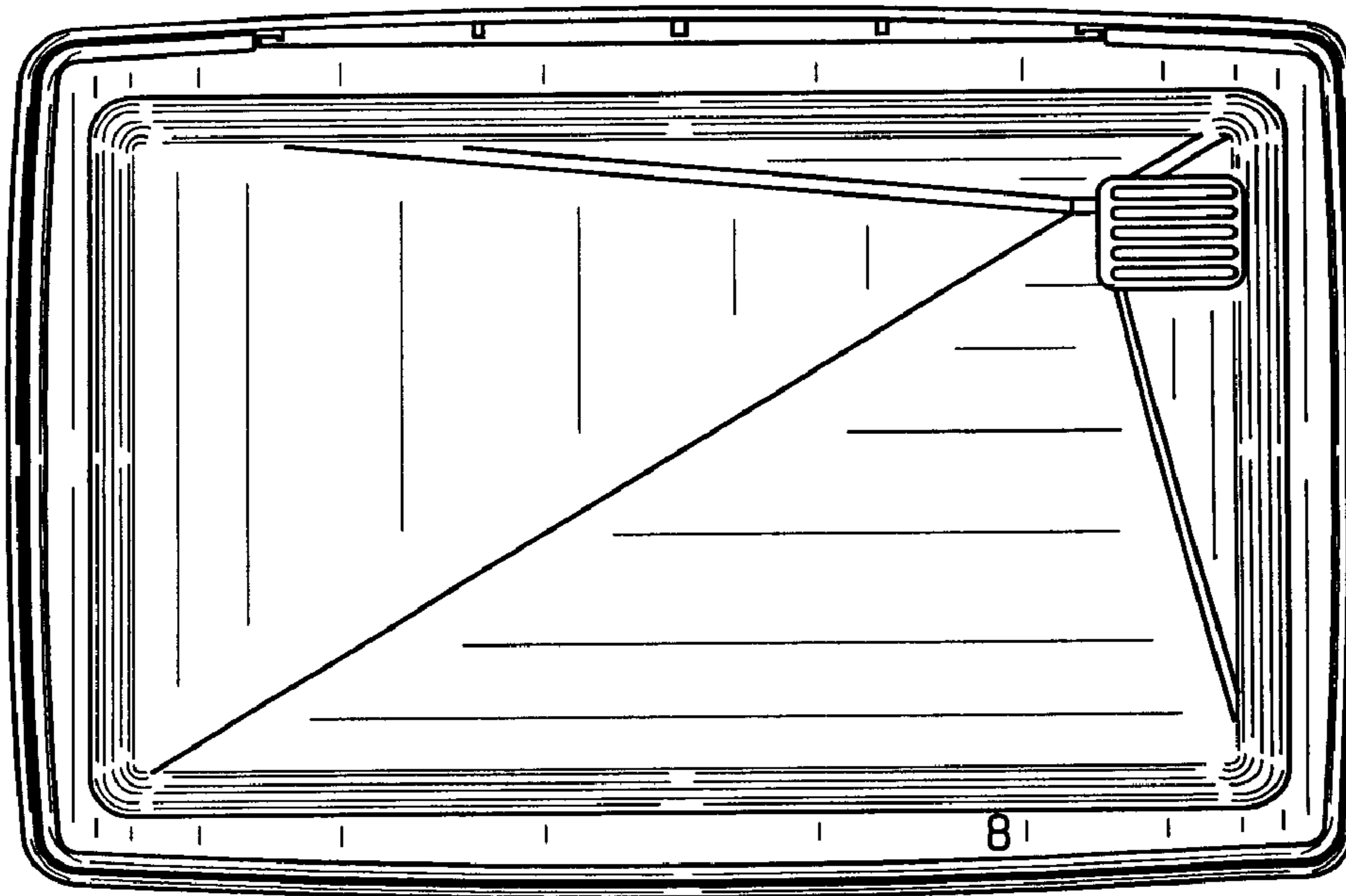


FIG. 6

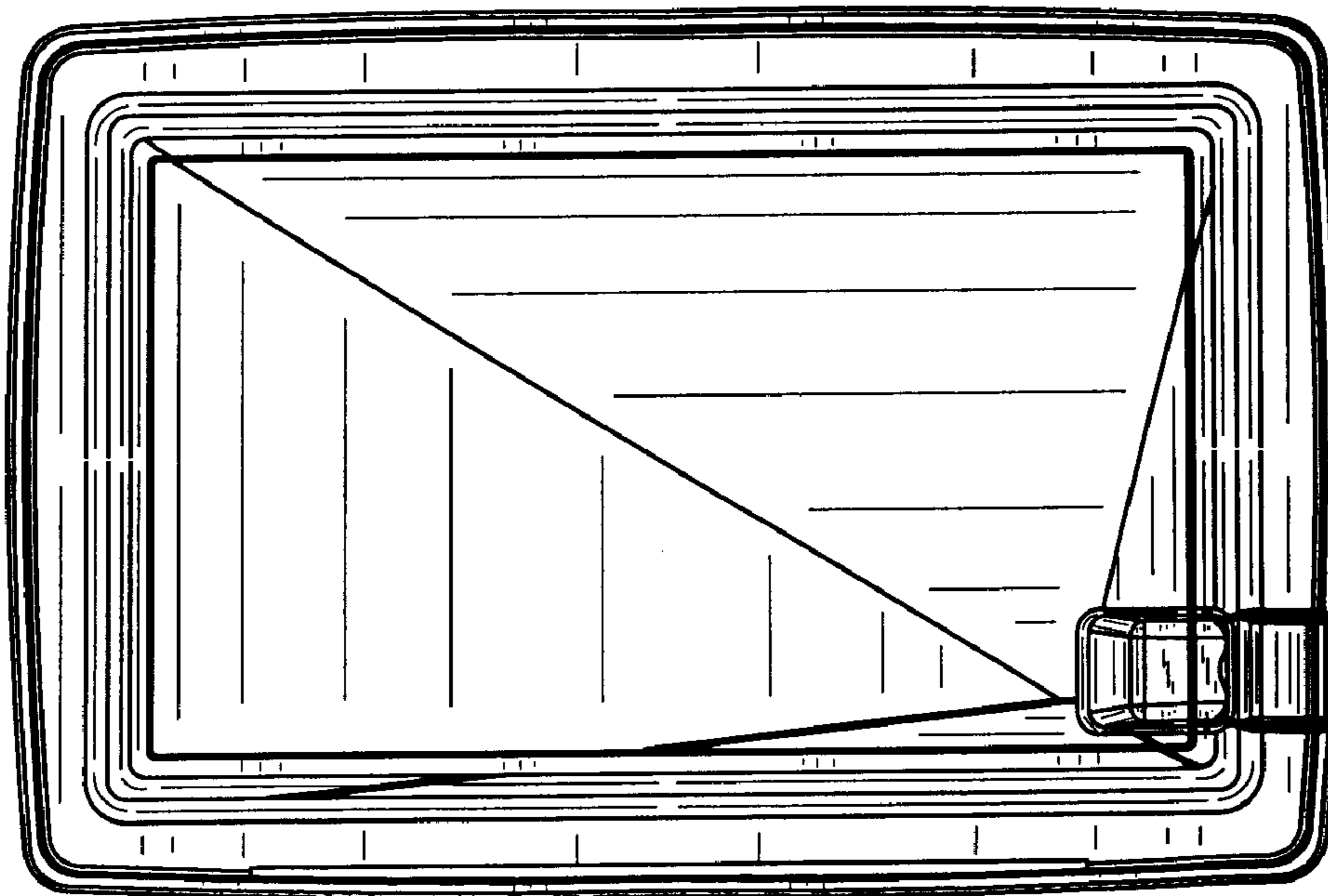


FIG. 7