

US00D508816S

(12) **United States Design Patent**  
**Tanaka**

(10) **Patent No.:** **US D508,816 S**  
(45) **Date of Patent:** **\*\* Aug. 30, 2005**

(54) **INDUCTION HEATING COOKER**

D464,845 S \* 10/2002 Shin ..... D7/346

(75) Inventor: **Hiroyuki Tanaka**, Nishinomiya (JP)

(73) Assignee: **Matsushita Electric Industrial Co., Ltd.**, Osaka (JP)

(\*\*) Term: **14 Years**

(21) Appl. No.: **29/208,479**

(22) Filed: **Jun. 29, 2004**

(30) **Foreign Application Priority Data**

Mar. 12, 2004 (JP) ..... 2004-007422

(51) **LOC (8) Cl.** ..... **07-02**

(52) **U.S. Cl.** ..... **D7/346**

(58) **Field of Search** ..... D7/346, 339, 402-409,  
D7/323; 126/39 B, 211, 215-218, 214 C,  
214 R, 152 R; 219/506, 460.1, 443-446,  
478-480

(56) **References Cited**

**U.S. PATENT DOCUMENTS**

- D230,390 S \* 2/1974 Tyke et al. .... D7/346
- D312,748 S \* 12/1990 Jung et al. .... D7/407
- D384,239 S \* 9/1997 Wilsdorf ..... D7/346
- D451,332 S \* 12/2001 Busalt ..... D7/346
- D462,866 S \* 9/2002 Resuello et al. .... D7/346

**OTHER PUBLICATIONS**

Catalog for Induction Heating Cooker, issued by Siemens Corporation, Apr. 2001.

Catalog for Induction Heating Cooker, issued by Bauknecht Corporation, 2003.

Catalog for Induction Heating Cooker, issued by Miele Corporation, Dec. 2001.

\* cited by examiner

*Primary Examiner*—Catherine R. Oliver

(74) *Attorney, Agent, or Firm*—Brinks Hofer Gilson & Lione

(57) **CLAIM**

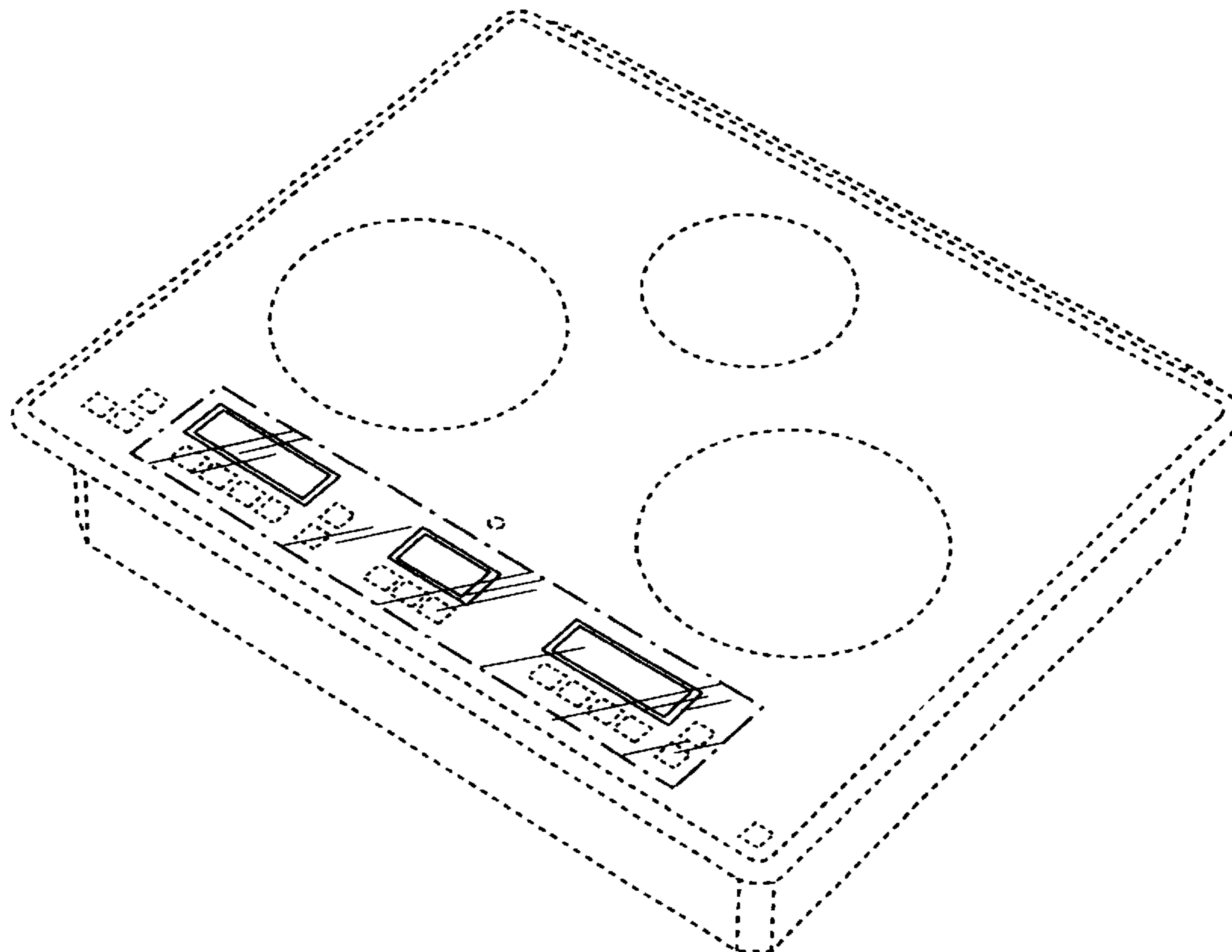
The ornamental design for an induction heating cooker, as shown and described.

**DESCRIPTION**

FIG. 1 is a top perspective view of an induction heating cooker of the present invention; and, FIG. 2 is a top view thereof.

The ornamental design which is claimed is bounded by the offset dashed line. The evenly dashed lines in the drawings are for illustrative purposes only and form no part of the claimed design.

**1 Claim, 2 Drawing Sheets**



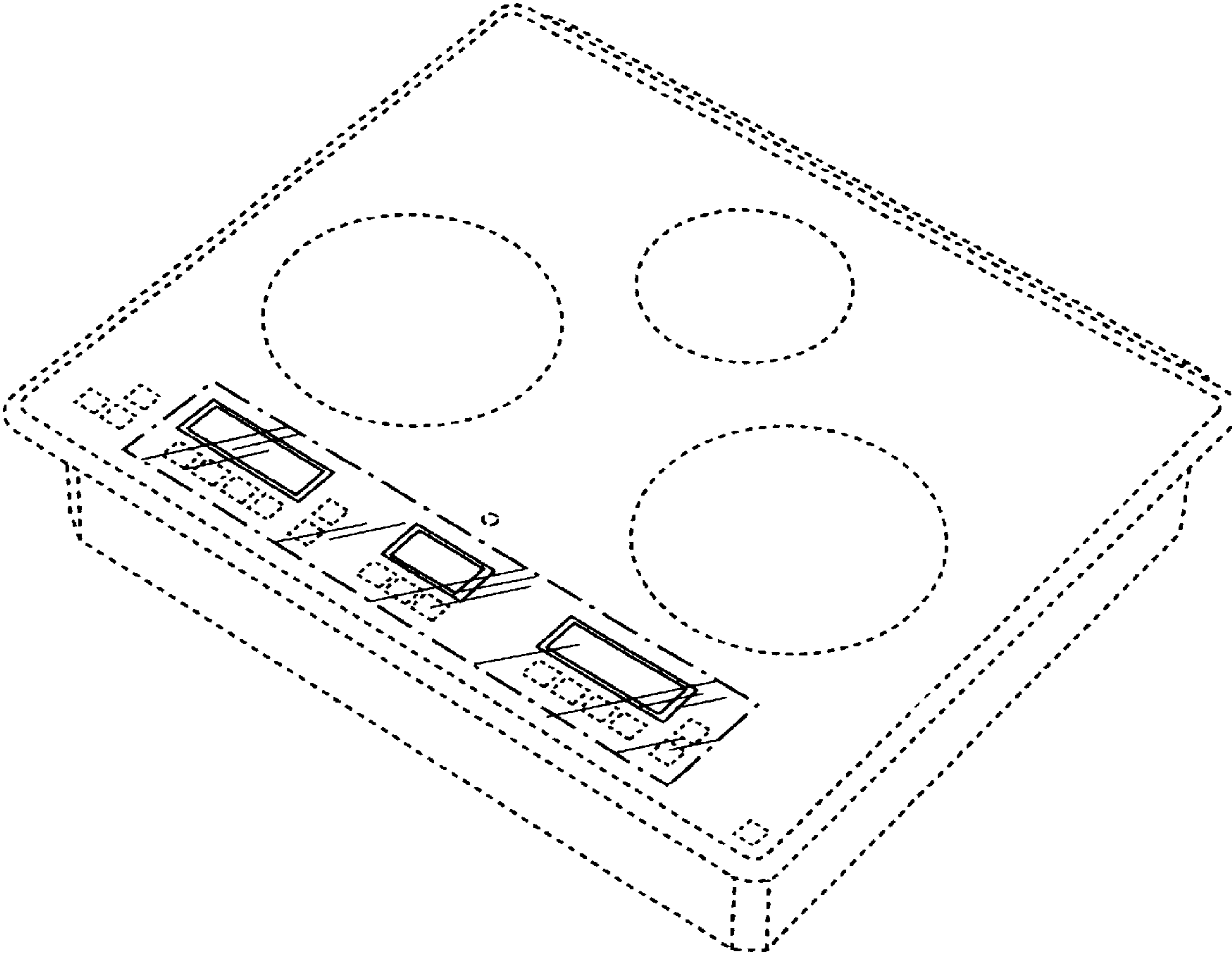


FIG. 1

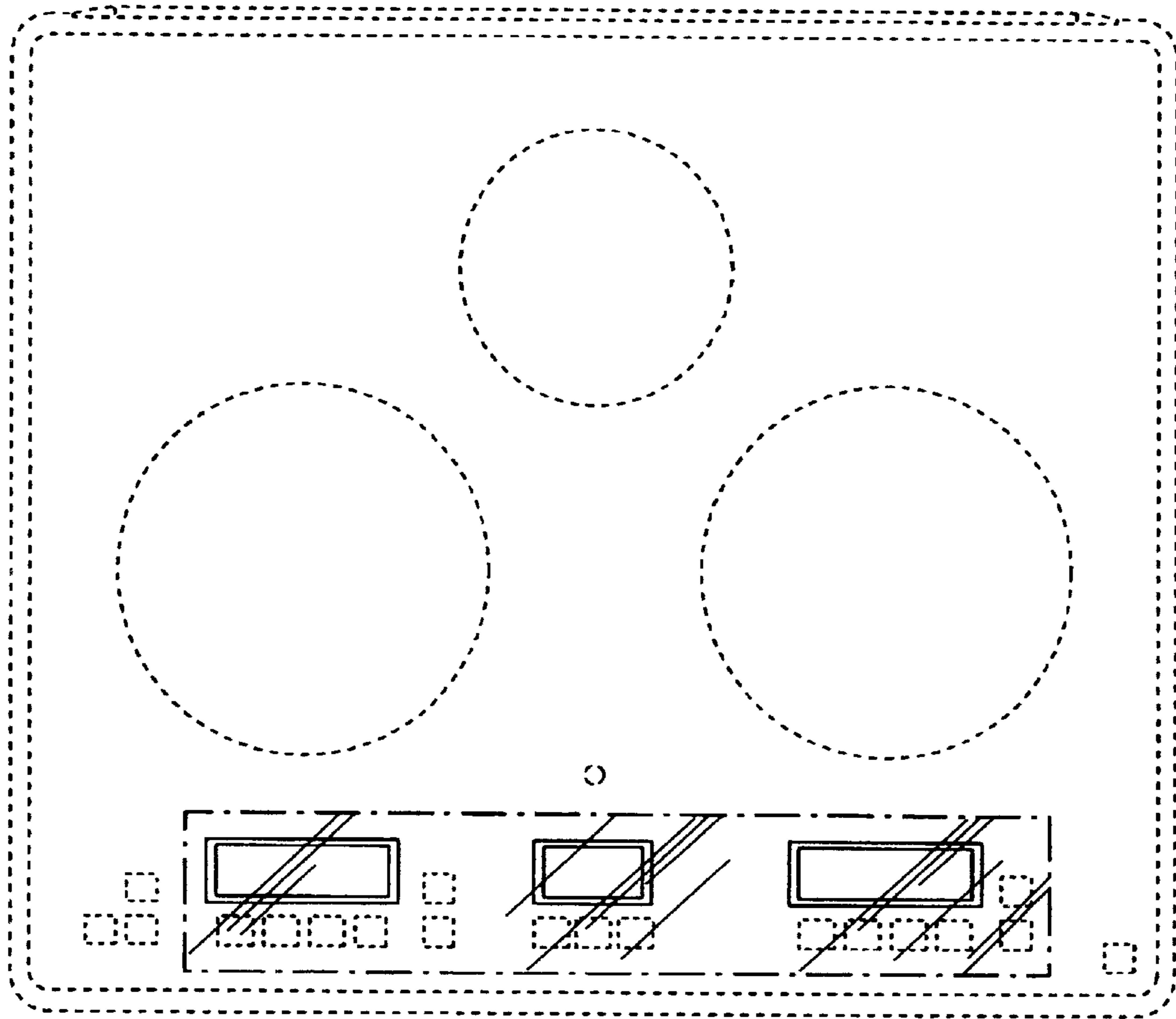


FIG. 2