



US00D508814S

(12) **United States Design Patent**  
**Essig, Jr. et al.**

(10) **Patent No.:** **US D508,814 S**  
(45) **Date of Patent:** **\*\* Aug. 30, 2005**

(54) **SOLAR COOKER WITH SPHERICAL SHAPE**

(76) Inventors: **John Raymond Essig, Jr.**, P.O. Box 3333, Fairfax, VA (US) 22038-3333;  
**James Michael Essig**, 3500 Burrows Ave., Fairfax, VA (US) 22030

(\*\*) Term: **14 Years**

(21) Appl. No.: **29/171,802**

(22) Filed: **Nov. 29, 2002**

(51) **LOC (8) Cl.** ..... **07-02**

(52) **U.S. Cl.** ..... **D7/324**

(58) **Field of Search** ..... D7/324, 323, 326, D7/339-340, 354, 402, 605, 338; 126/681, 682, 607, 606, 600, 25 R

(56) **References Cited**

**U.S. PATENT DOCUMENTS**

281,084 A *	7/1883	Kirkland	126/681
2,909,171 A *	10/1959	Lof	126/681
3,938,497 A *	2/1976	Andrassy	126/682
4,125,109 A *	11/1978	Erwin	126/681
4,203,427 A *	5/1980	Way, Jr.	126/681
4,355,628 A	10/1982	Watts	126/427
4,446,854 A	5/1984	Clevett	126/451
4,788,555 A	11/1988	Schultz	343/840
D310,657 S	9/1990	Bradford	D13/102

D380,931 S	7/1997	Lane	D7/324
5,893,360 A	4/1999	Stoumen et al.	126/714
2004/0074490 A1 *	4/2004	Mills et al.	126/600

\* cited by examiner

*Primary Examiner*—Catherine R. Oliver

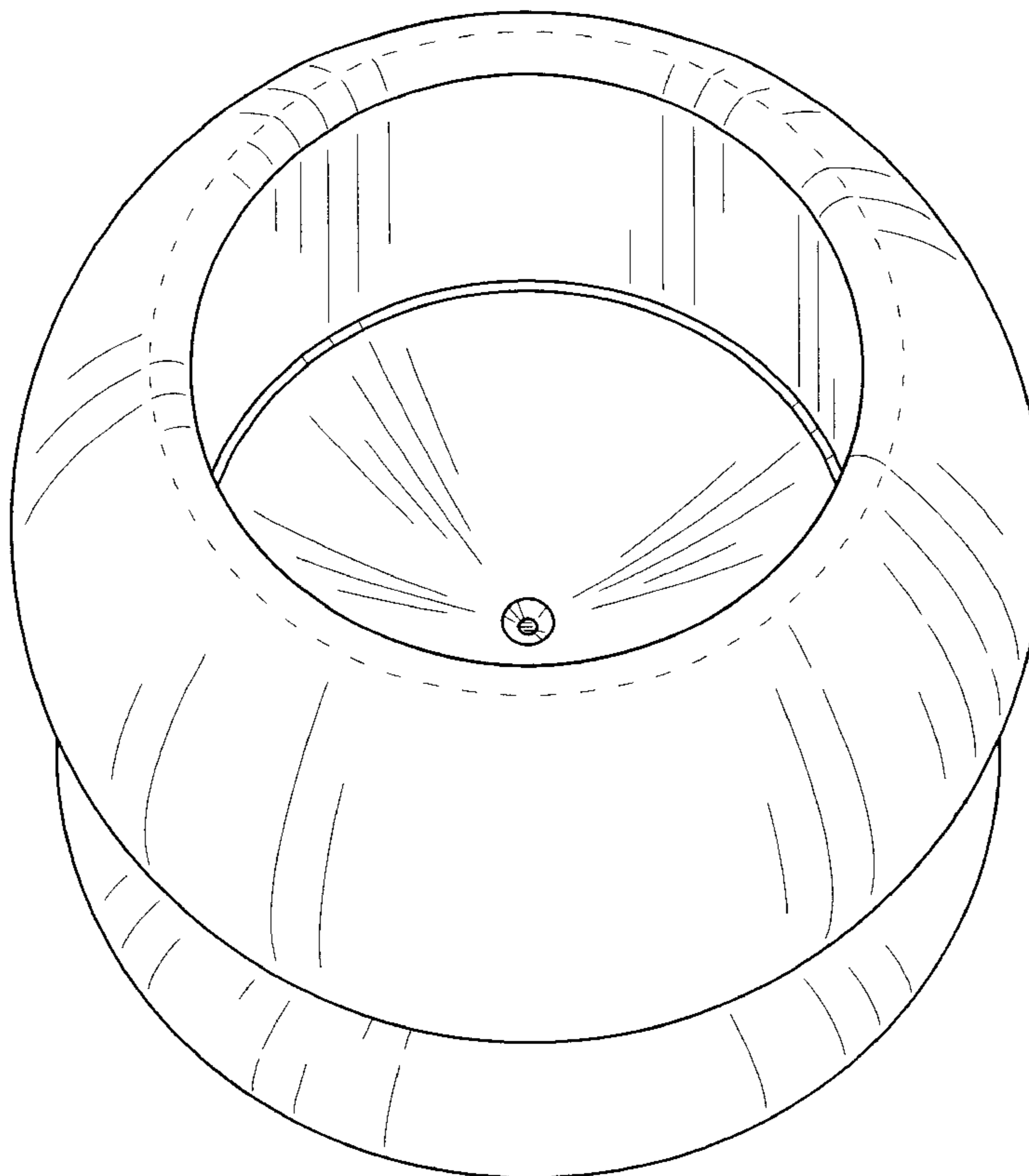
(57) **CLAIM**

The ornamental design for a solar cooker with spherical shape, as shown and described.

**DESCRIPTION**

FIG. 1 is a perspective view of the solar cooker with spherical shape showing our new design;  
 FIG. 2 is a side elevational view, which also represents a view of the front, rear and opposite side;  
 FIG. 3 is a top plan view.  
 FIG. 4 is a bottom plan view.  
 FIG. 5 is another perspective view; showing the upper spherical portion partially rotated relative to the toroidal ring;  
 FIG. 6 is a front elevational view of FIG. 5;  
 FIG. 7 is a side elevational view of FIG. 5;  
 FIG. 8 is a perspective view showing the upper spherical portion fully rotated relative to the toroidal ring;  
 FIG. 9 is a front elevational view of FIG. 8; and,  
 FIG. 10 is a side elevational view of FIG. 8.

**1 Claim, 6 Drawing Sheets**



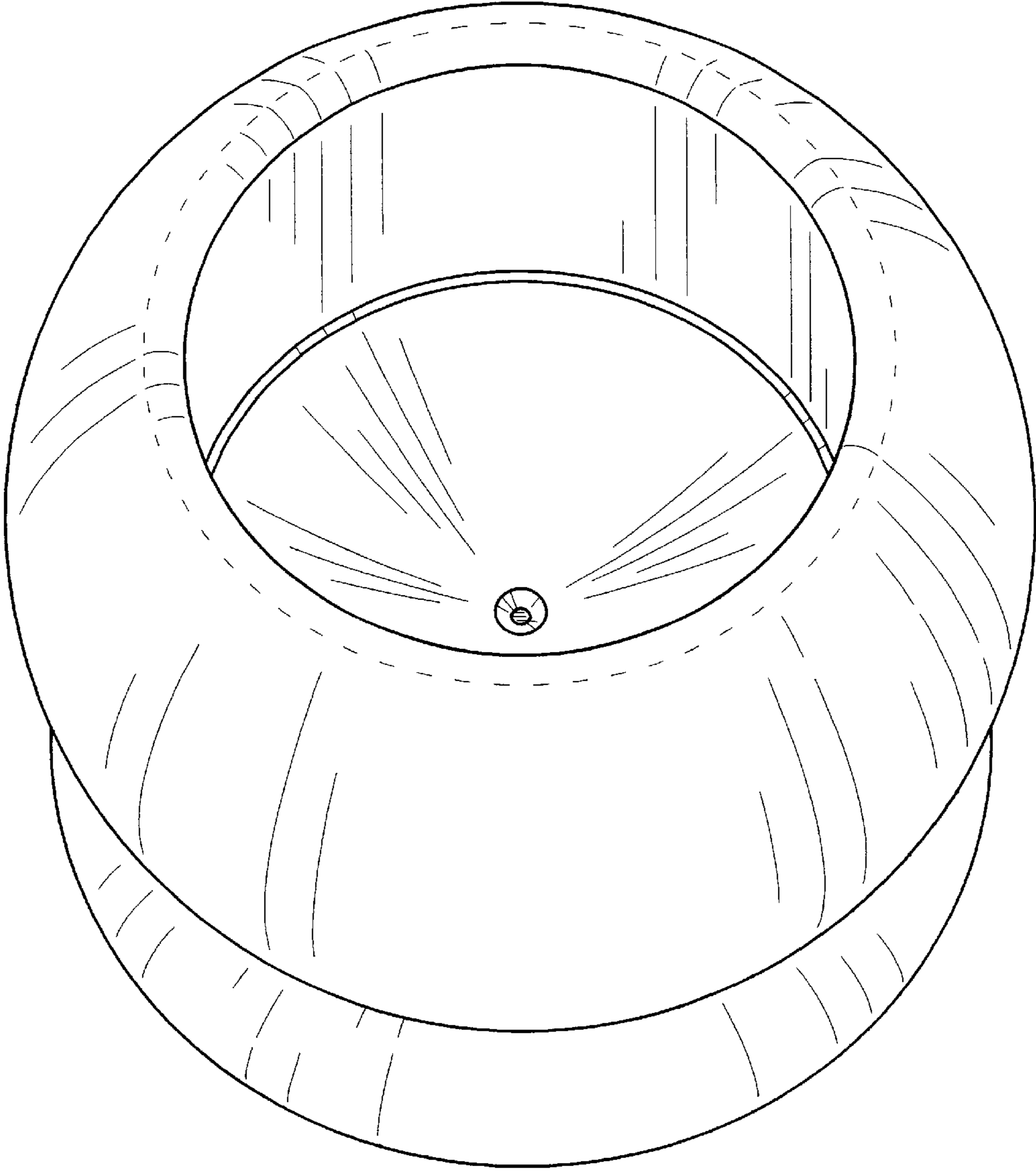
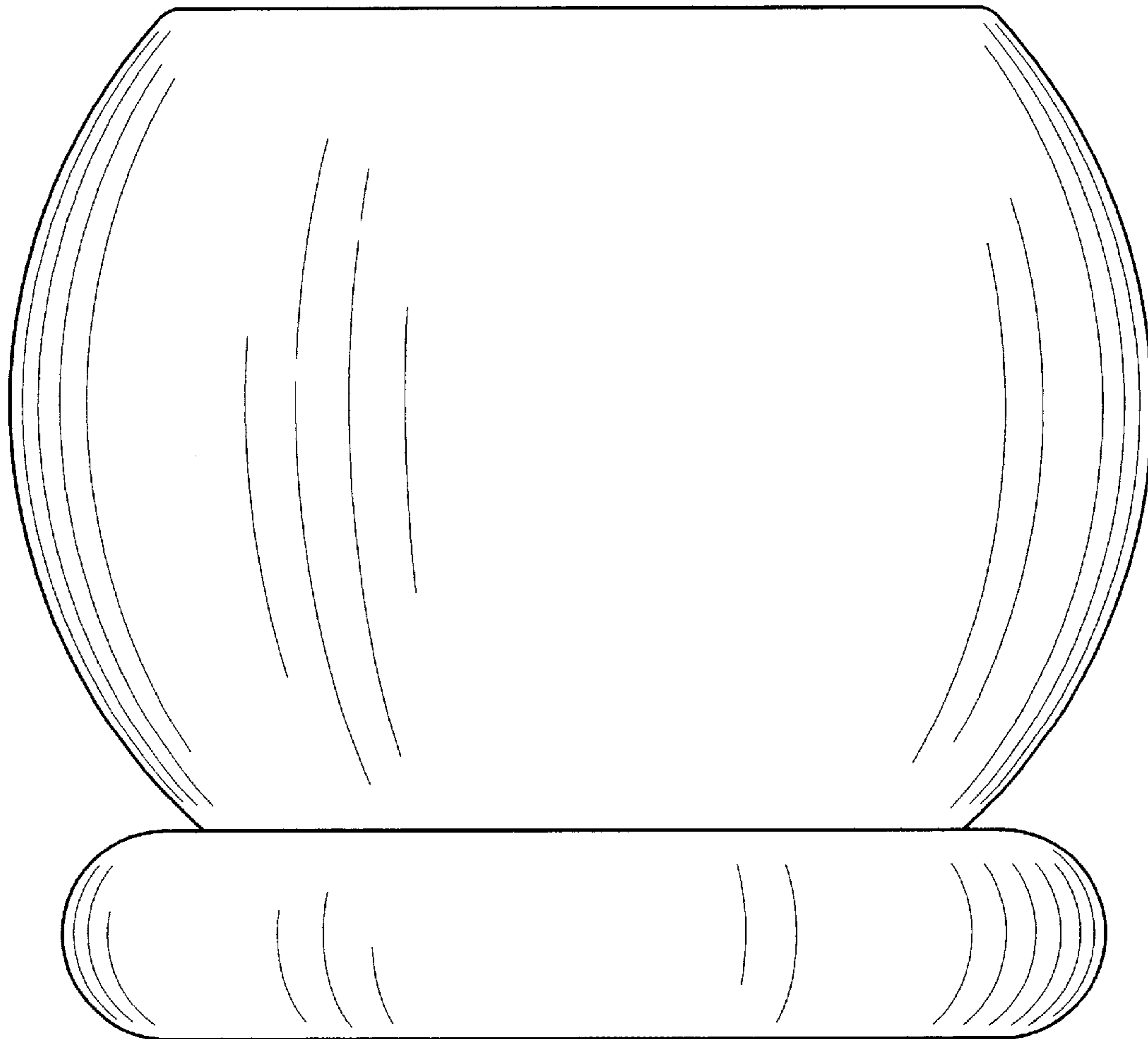
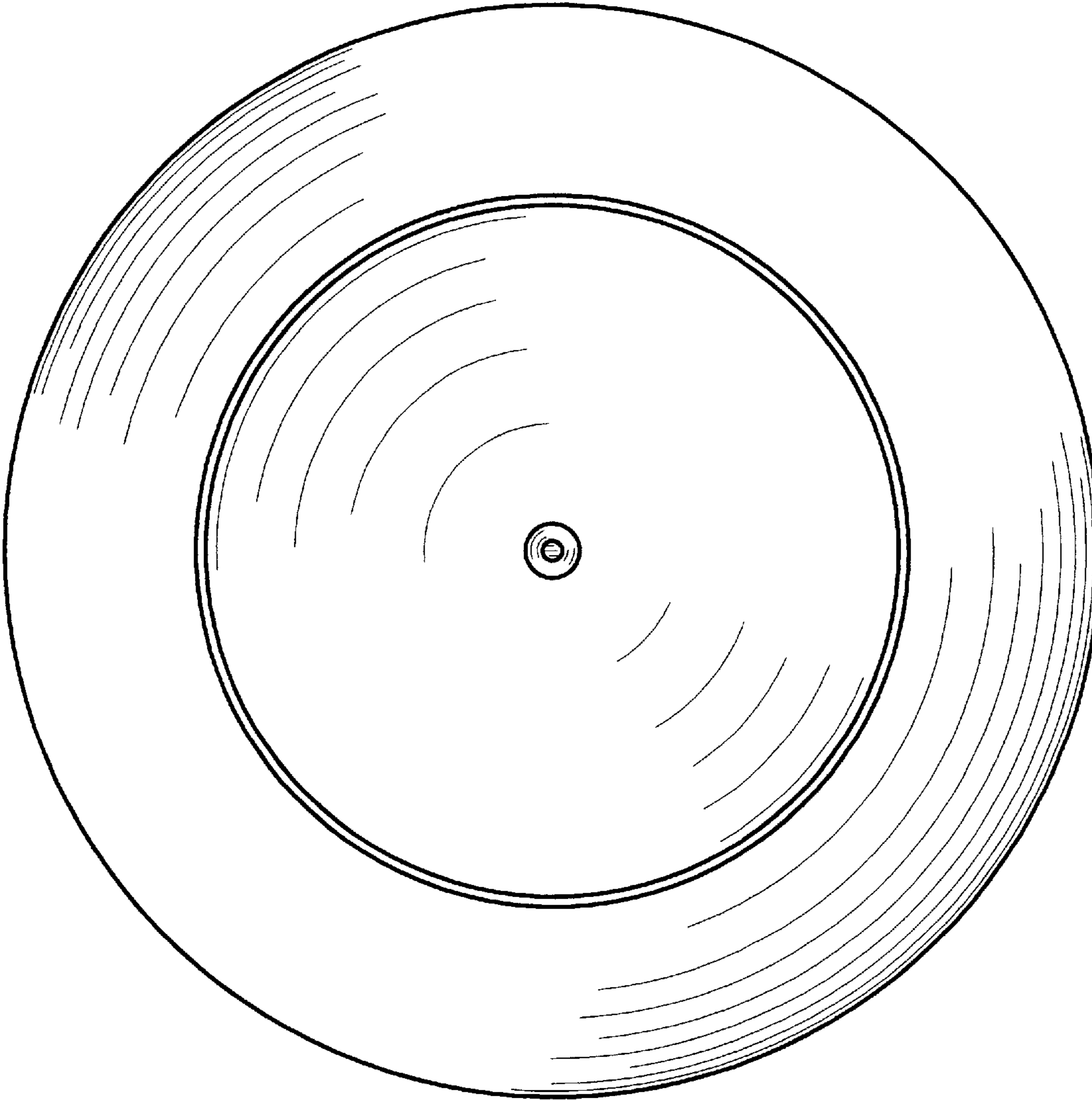


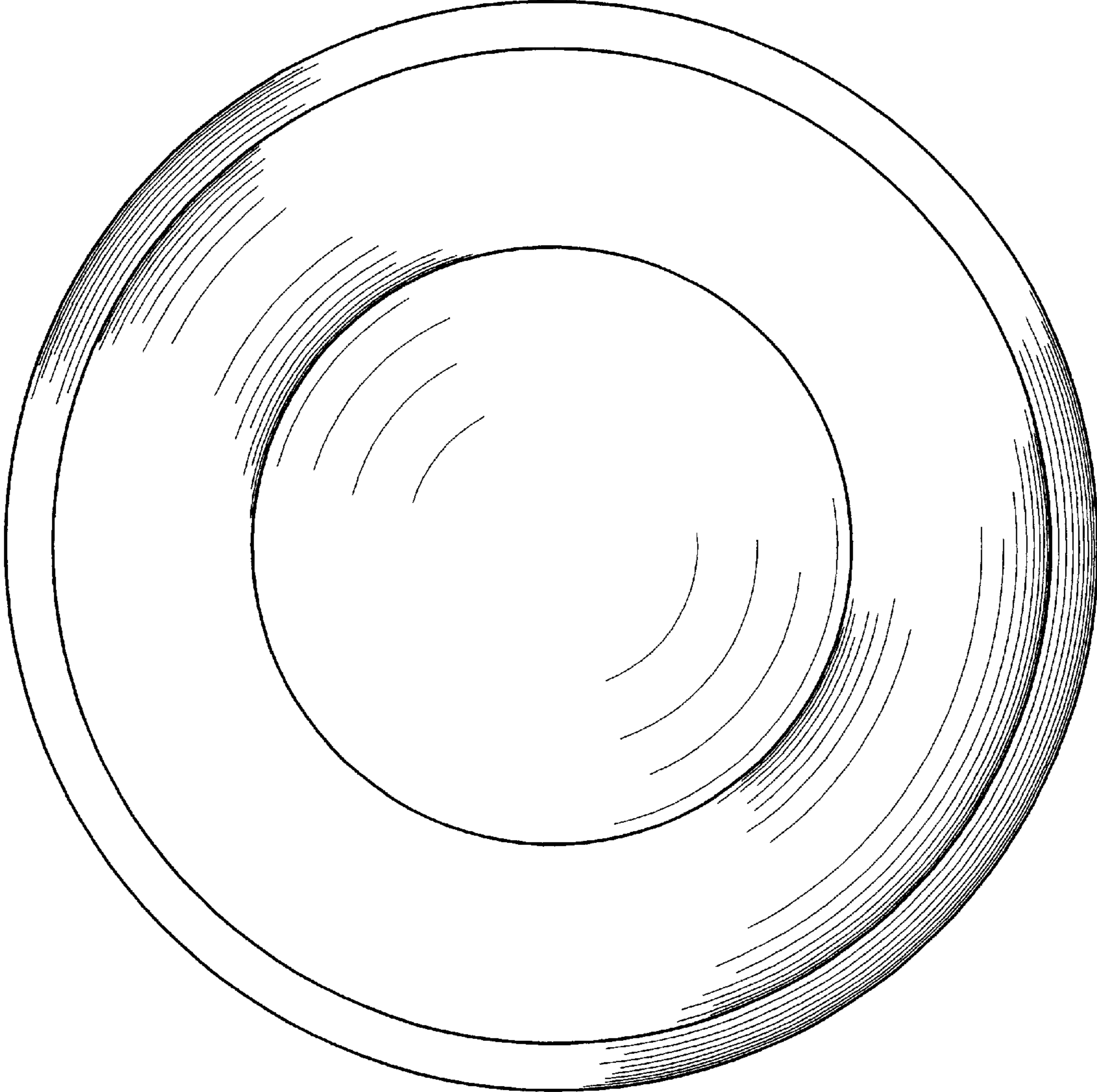
FIG. 1



**FIG. 2**



**FIG. 3**



**FIG. 4**

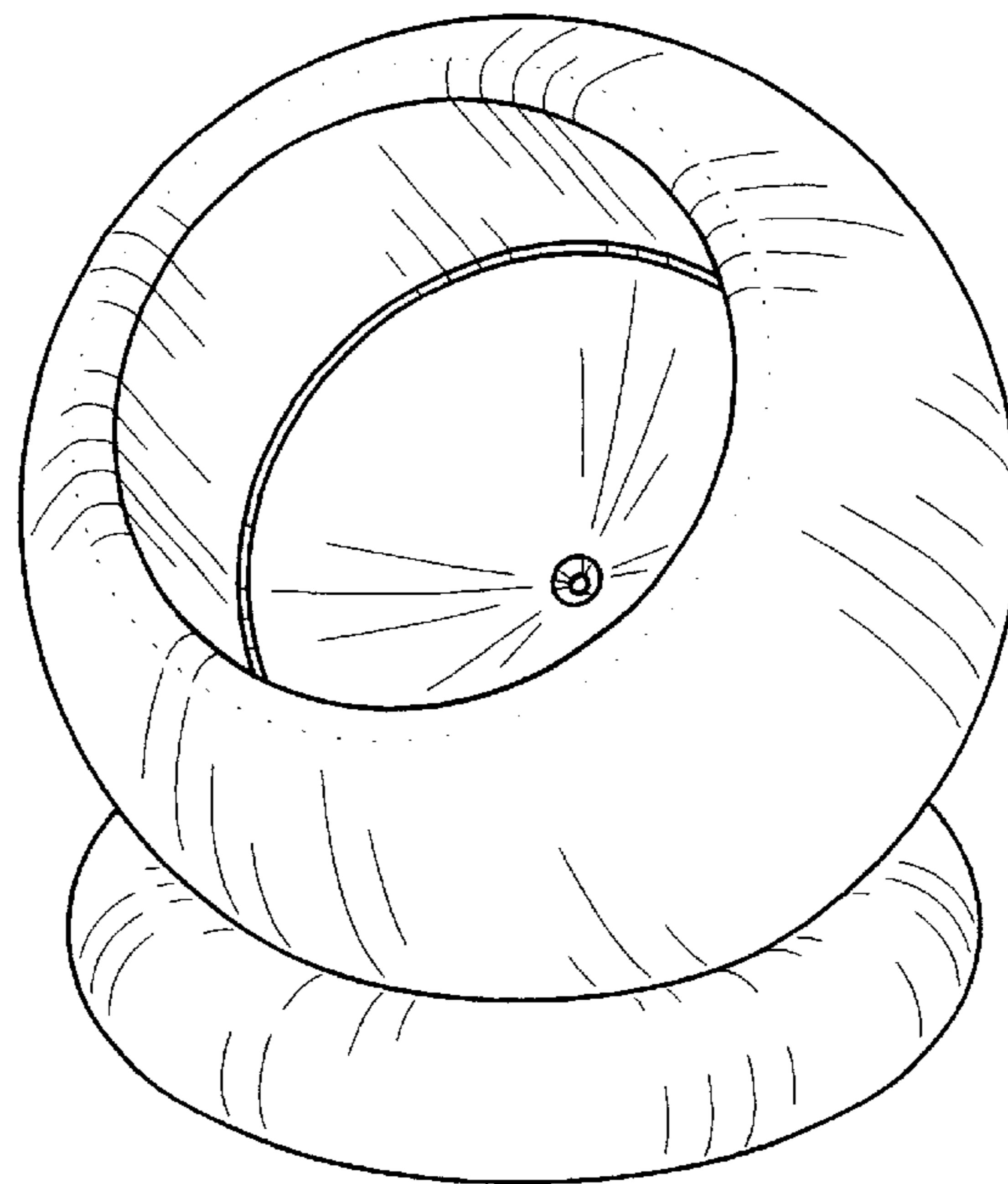


FIG. 5

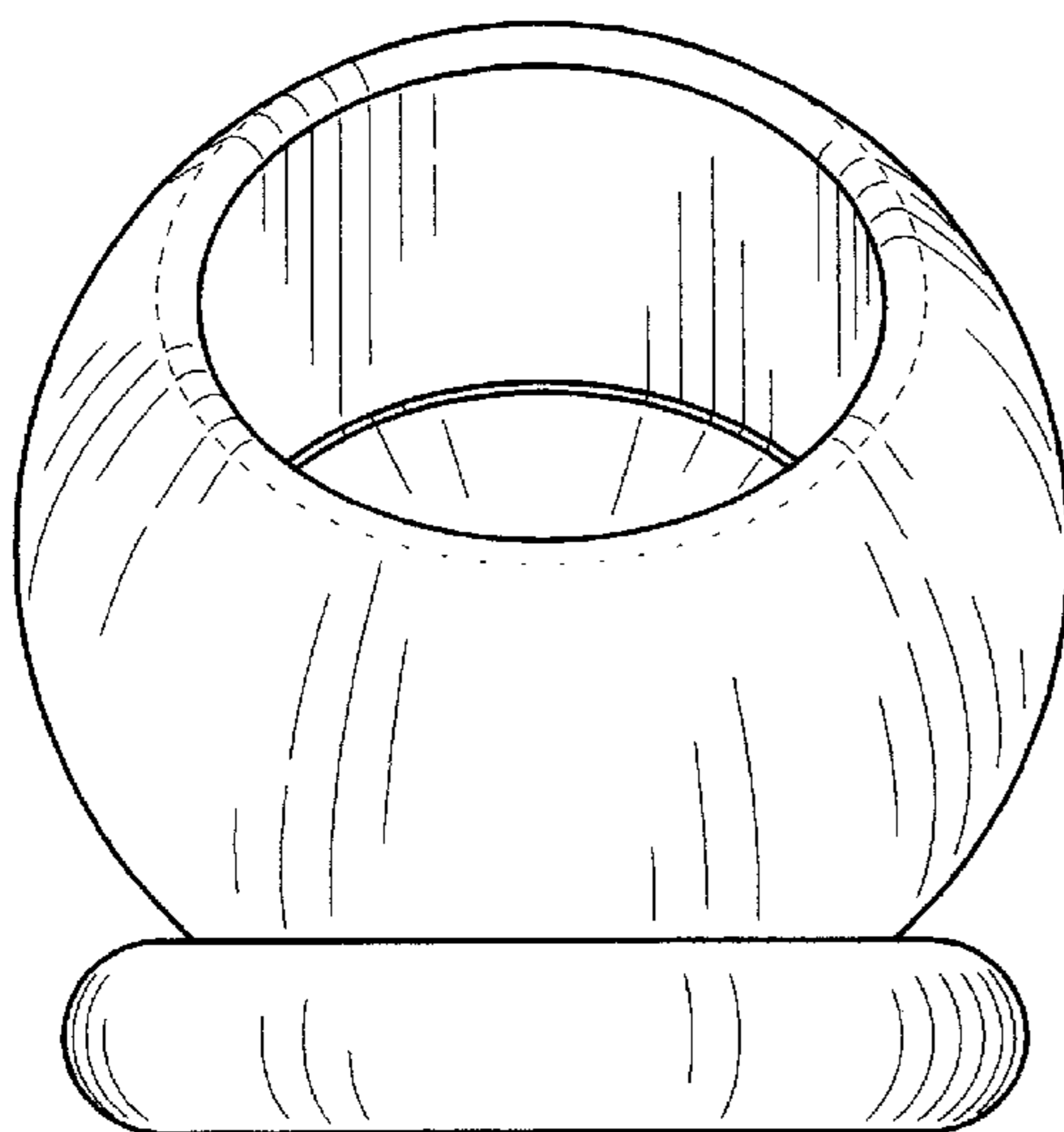


FIG. 6

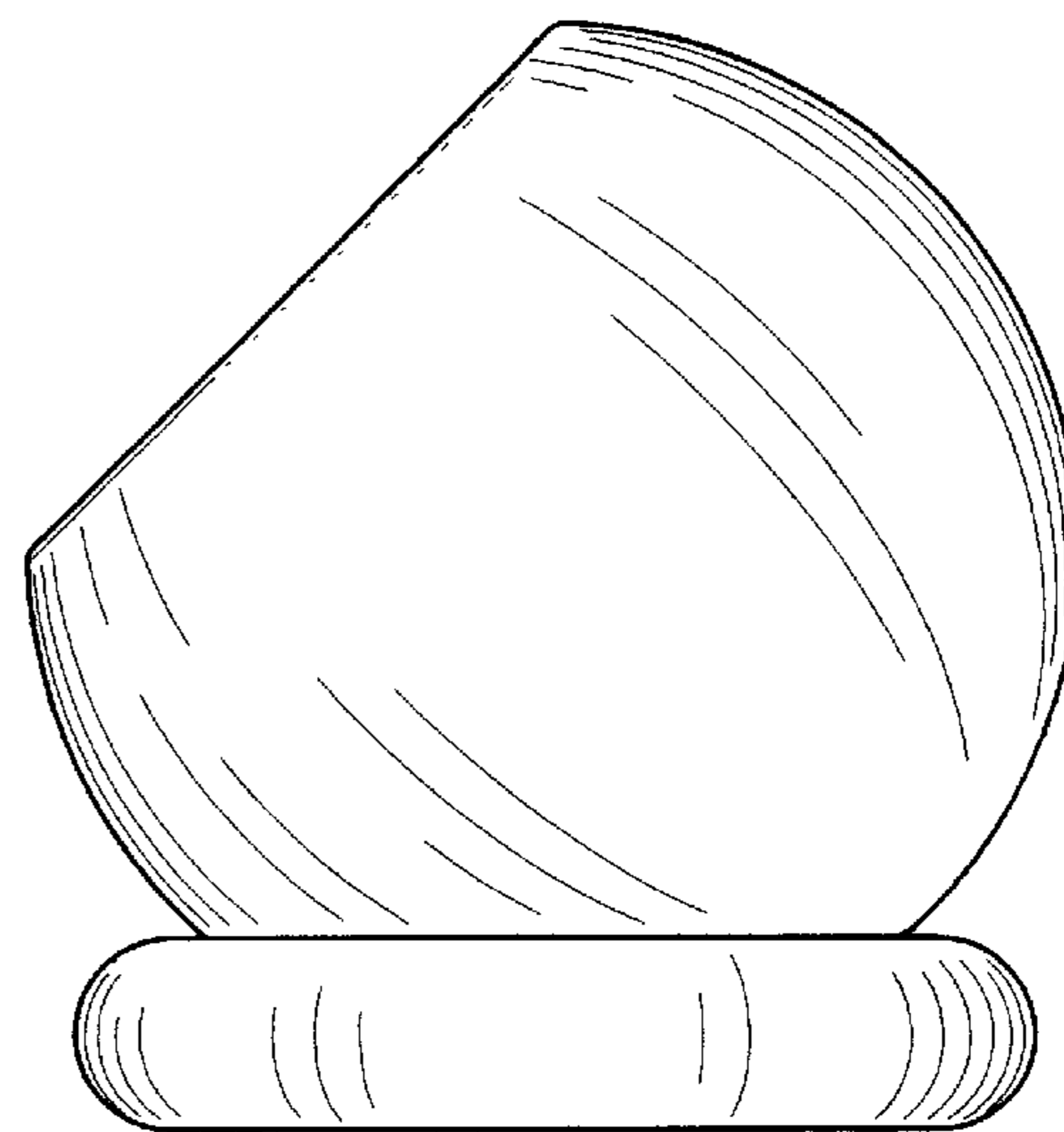


FIG. 7

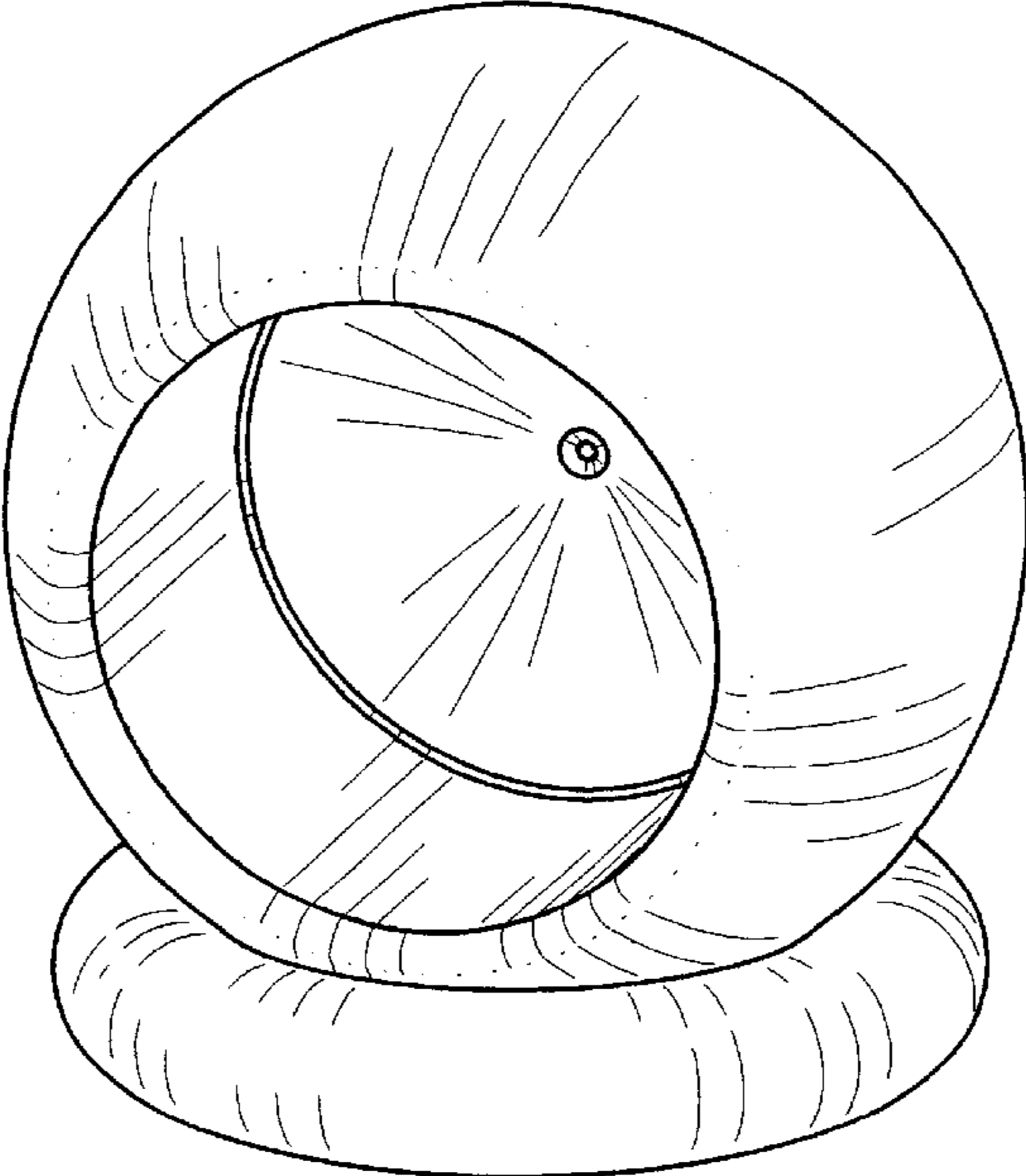


FIG. 8

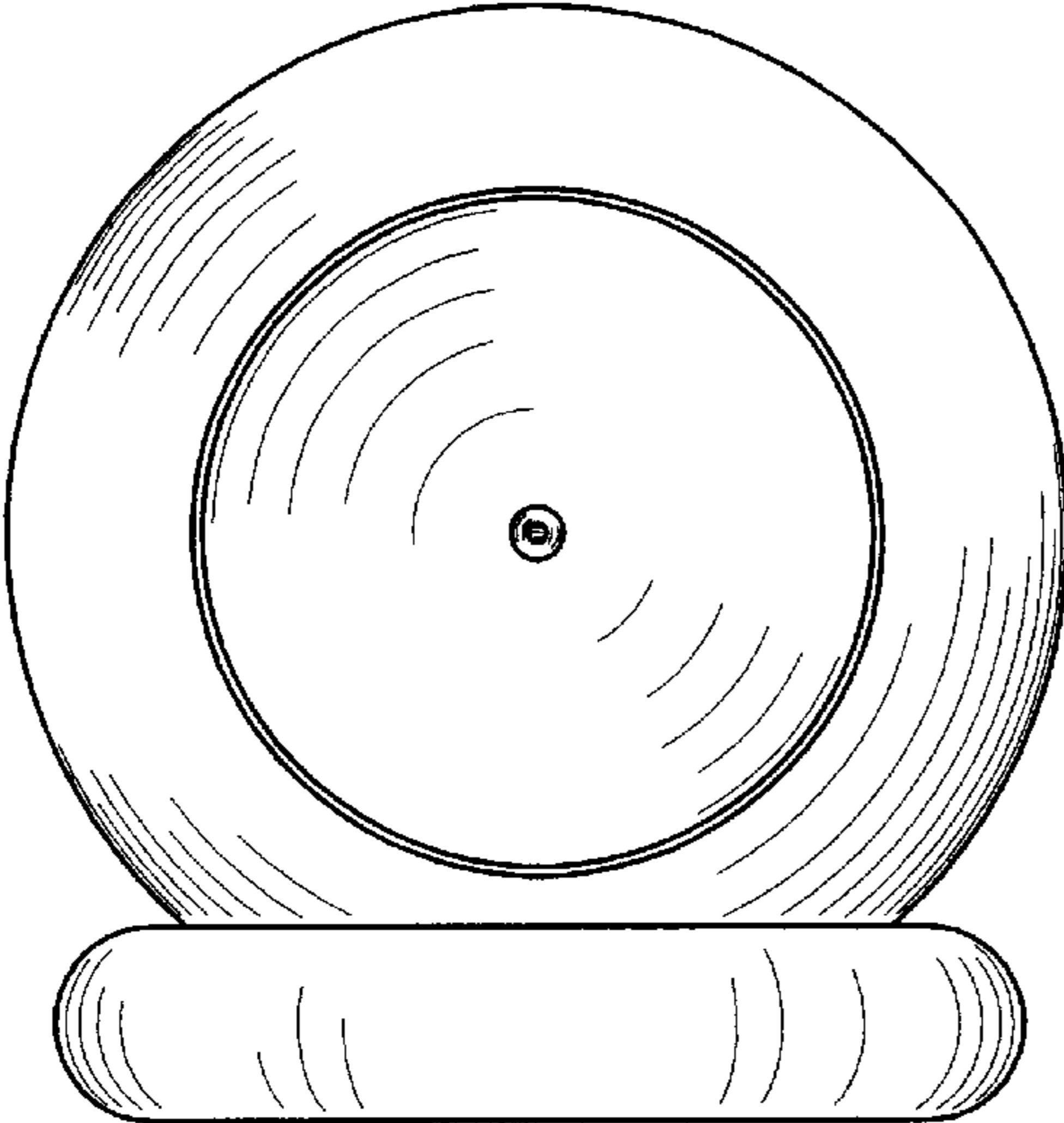


FIG. 9

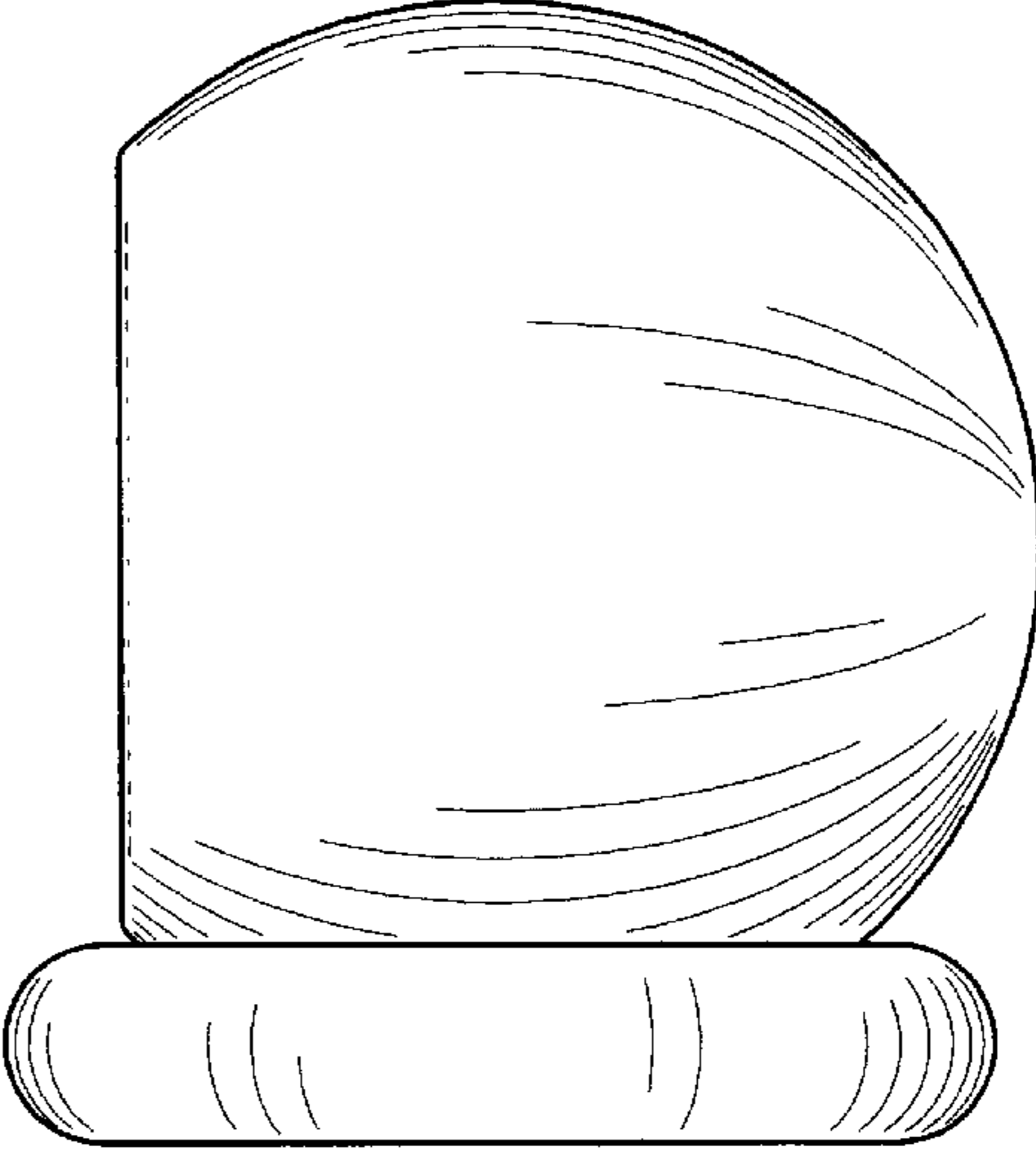


FIG. 10