

US00D508806S

(12) **United States Design Patent**  
**Egger**

(10) **Patent No.:** **US D508,806 S**

(45) **Date of Patent:** **\*\* Aug. 30, 2005**

(54) **CHAIR BASE**

D498,092 S \* 11/2004 Lin ..... D6/498

(75) Inventor: **Julien Egger**, Santa Monica, CA (US)

\* cited by examiner

(73) Assignee: **True Seating Concepts, L.L.C.** (MU)

*Primary Examiner*—Mimosa De

(74) *Attorney, Agent, or Firm*—Morland C. Fischer

(\*\*) Term: **14 Years**

(57) **CLAIM**

(21) Appl. No.: **29/212,733**

The ornamental design for a chair base, as shown and described.

(22) Filed: **Sep. 7, 2004**

**DESCRIPTION**

(51) **LOC (8) Cl.** ..... **06-06**

(52) **U.S. Cl.** ..... **D6/498; D6/366**

(58) **Field of Search** ..... D6/334, 335, 364–367,  
D6/498, 500–502; 248/188, 188.1, 188.7,  
188.8, 188.9; 297/344.18, 411.2, 463.1

FIG. 1 is a perspective view showing the top, left side and front of a chair base which forms my new design, the broken lines of a chair and chair base parts in this and other figures being for illustrative purposes only and forming no part of my design;

FIG. 2 is a top plan view thereof;

FIG. 3 is a front elevational view thereof;

FIG. 4 is a bottom plan view thereof;

FIG. 5 is a rear elevational view thereof;

FIG. 6 is a left side elevational view thereof; and,

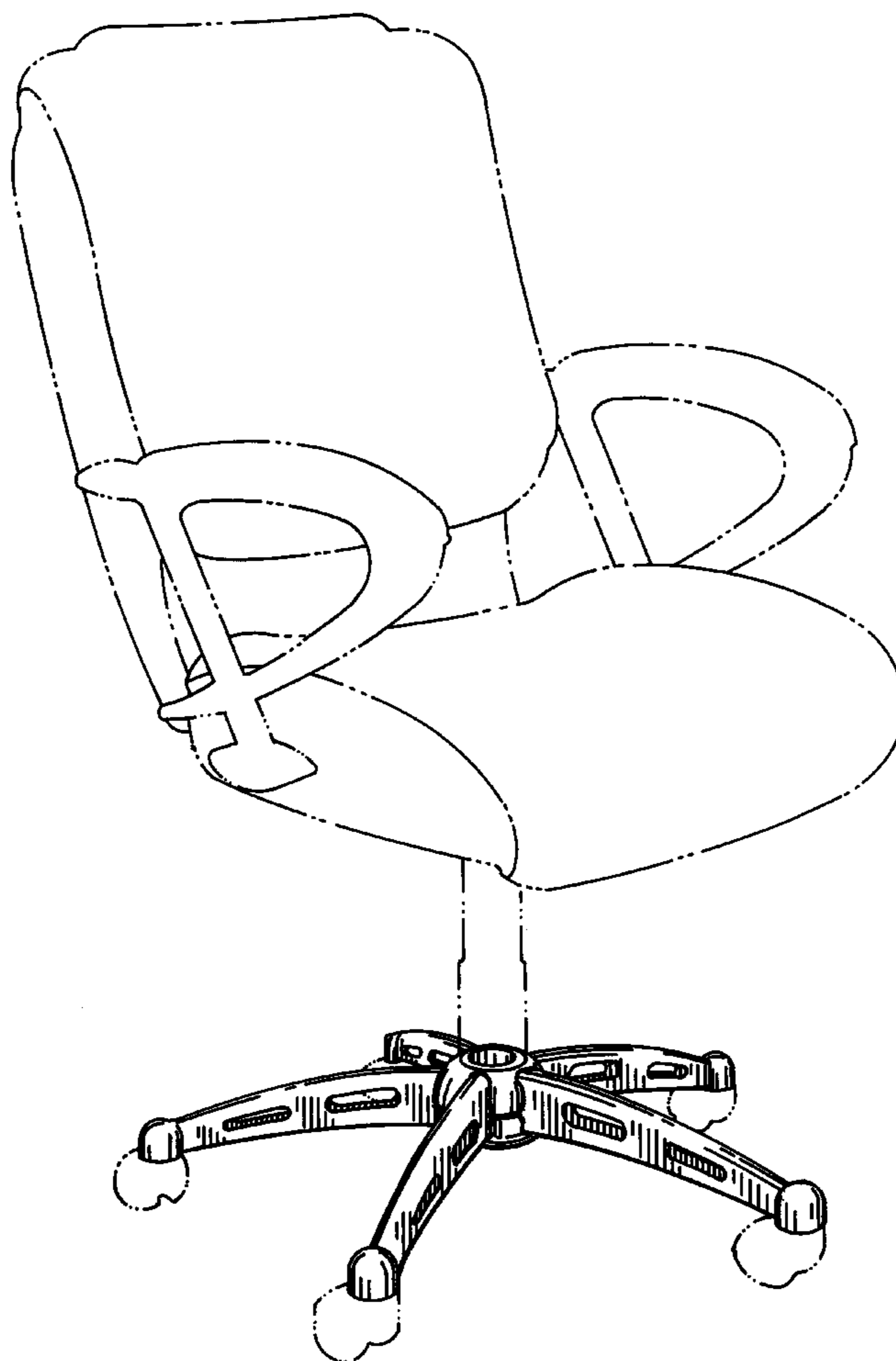
FIG. 7 is a right side elevational view thereof.

(56) **References Cited**

**U.S. PATENT DOCUMENTS**

D273,350 S	*	4/1984	Cafiero	.....	D6/366
D458,776 S	*	6/2002	Patton	.....	D6/498
D473,406 S	*	4/2003	Lin	.....	D6/498
D479,926 S	*	9/2003	Chi	.....	D6/498
D493,986 S	*	8/2004	Fu	.....	D6/498
D496,171 S	*	9/2004	Su	.....	D6/366

**1 Claim, 4 Drawing Sheets**



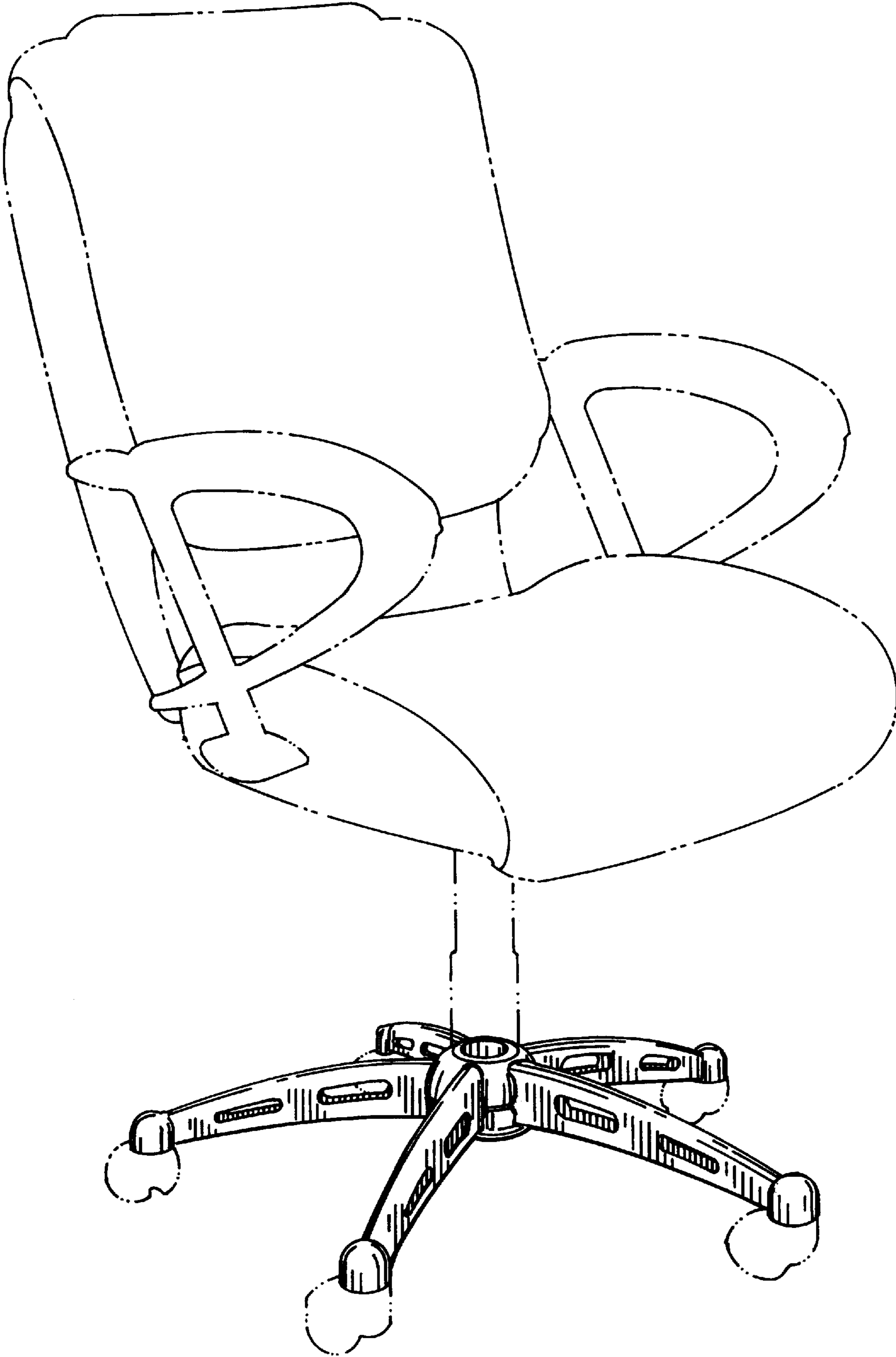


FIG. 1

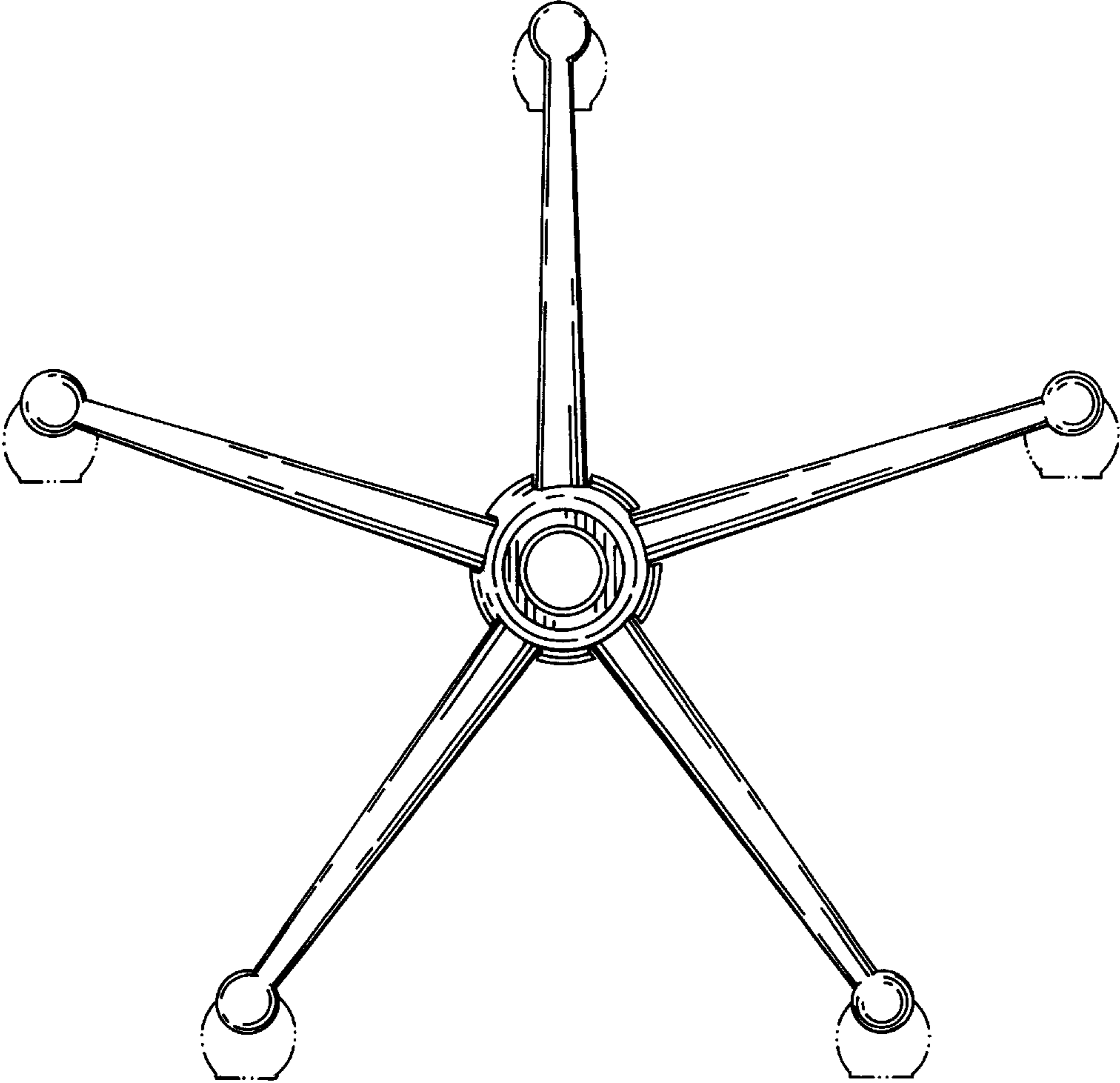


FIG. 2

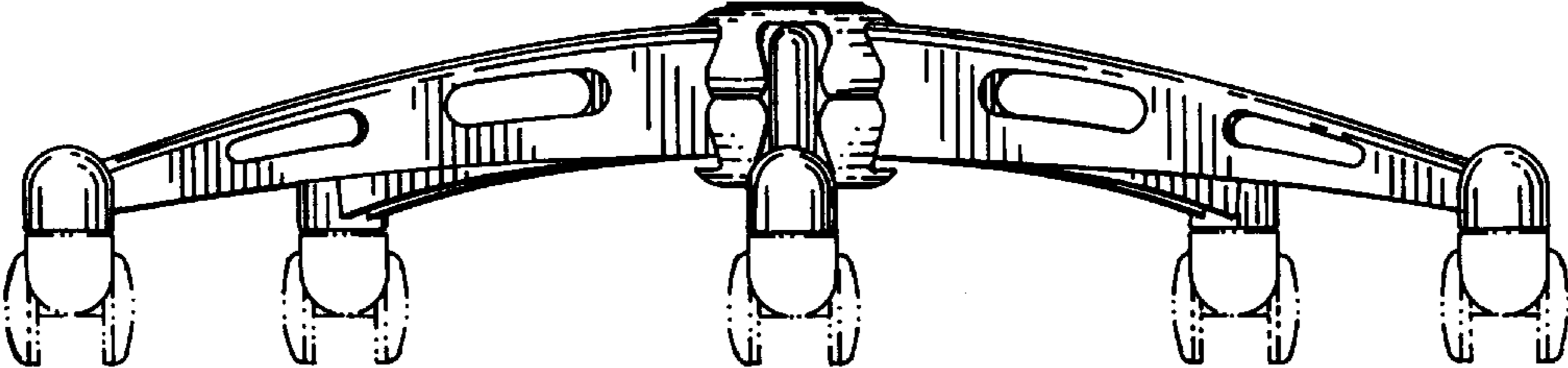


FIG. 3

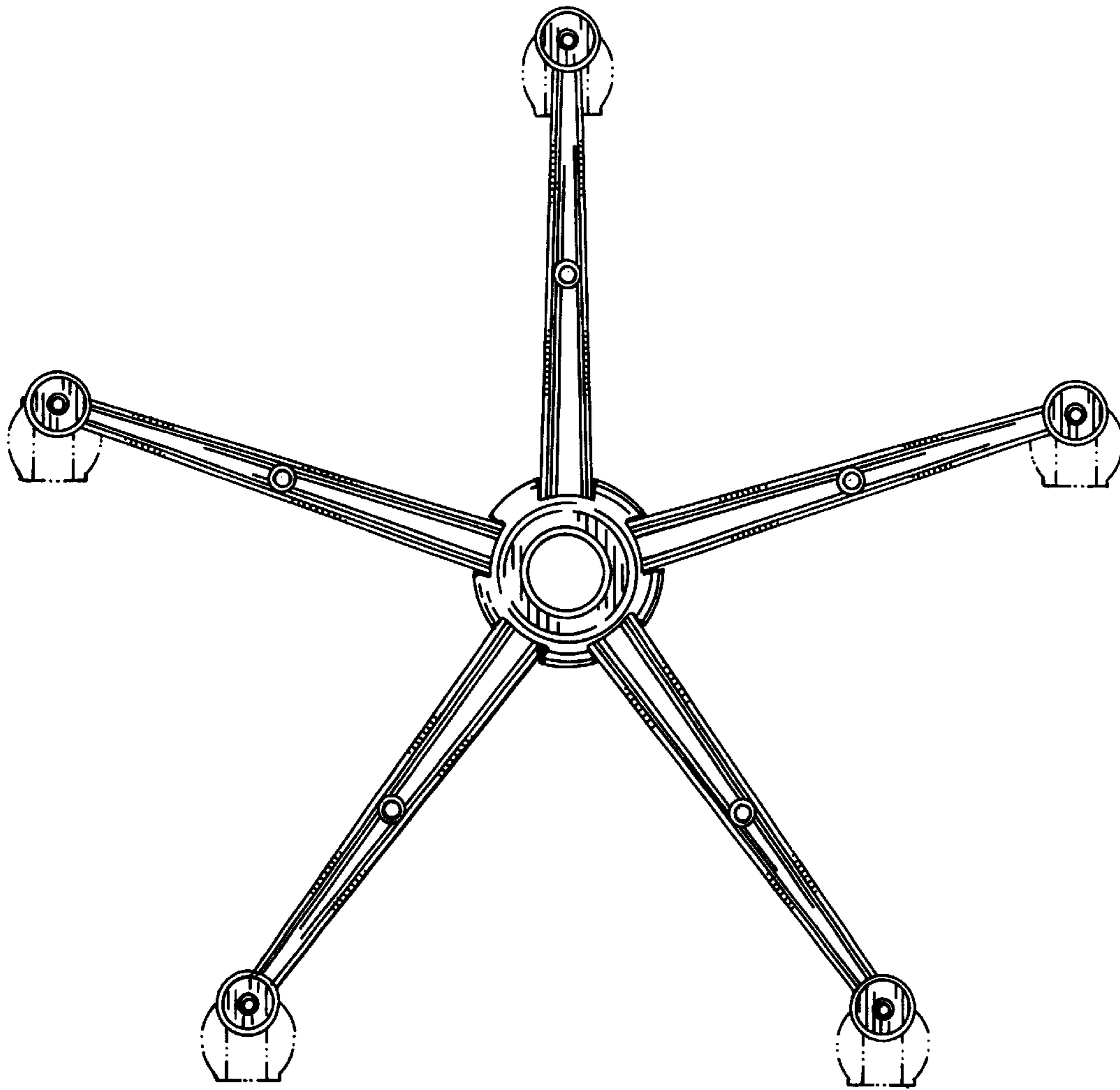


FIG. 4

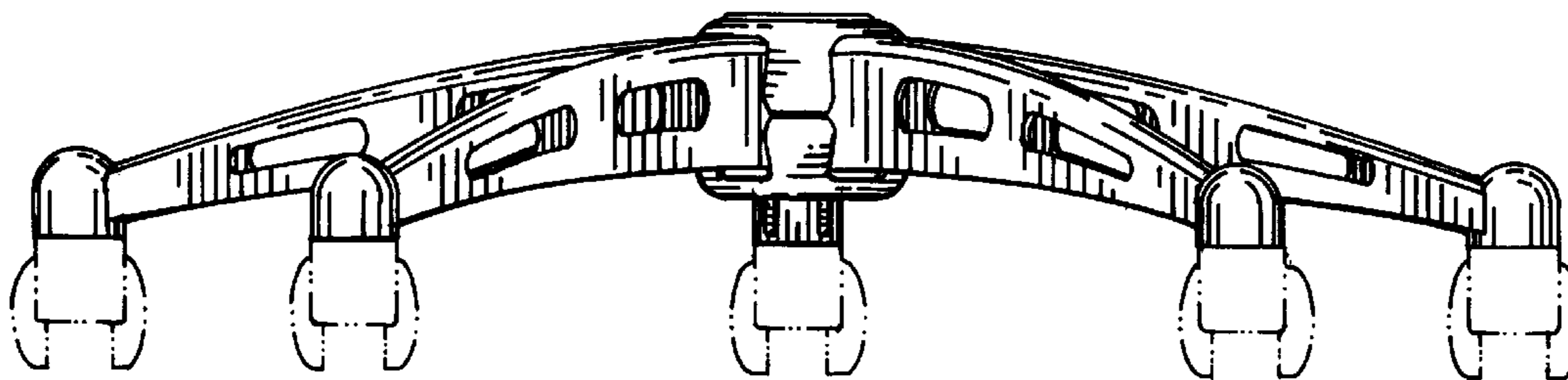


FIG. 5

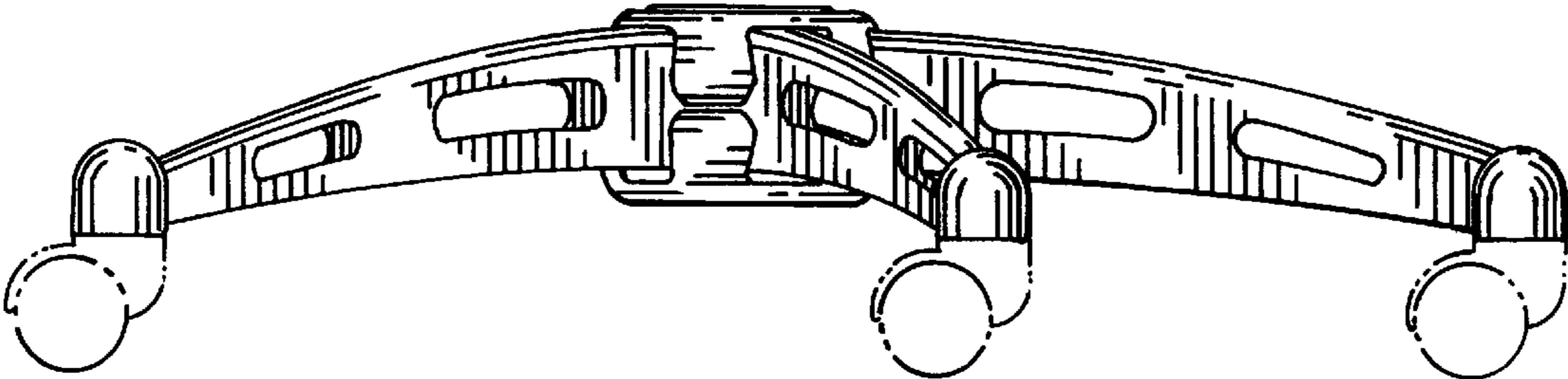


FIG. 6

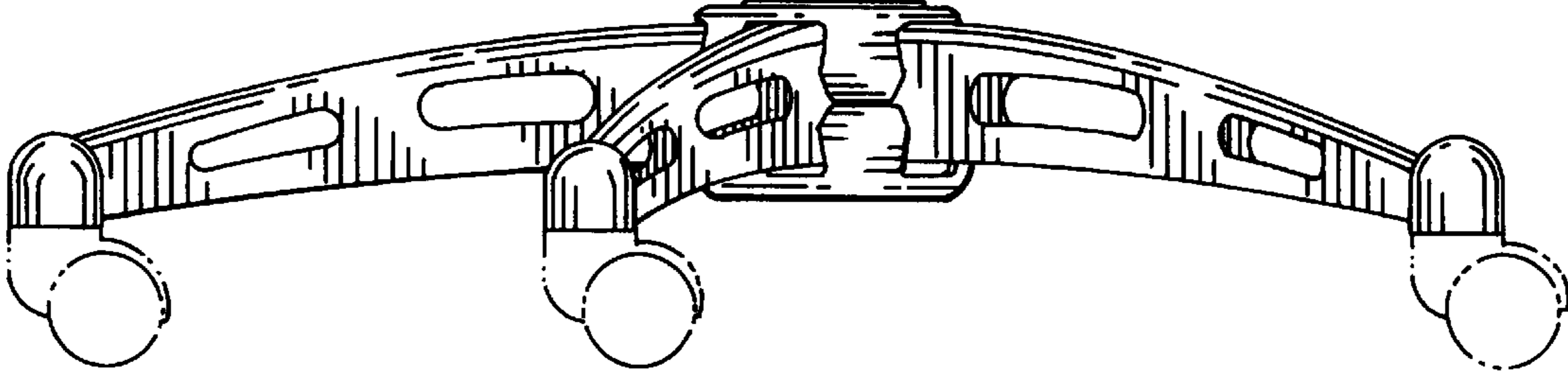


FIG. 7