



US00D508805S

(12) **United States Design Patent**
Cvek

(10) **Patent No.:** **US D508,805 S**

(45) **Date of Patent:** **** Aug. 30, 2005**

(54) **STAR CONFIGURATION CHAIR BASE**

(76) **Inventor:** **Sava Cvek**, 40 Woodland Rd., Jamaica Plain, MA (US) 02130

(**) **Term:** **14 Years**

(21) **Appl. No.:** **29/208,273**

(22) **Filed:** **Jun. 25, 2004**

(51) **LOC (8) Cl.** **06-06**

(52) **U.S. Cl.** **D6/498; D6/366**

(58) **Field of Search** D6/334, 335, 364-367, D6/498, 500-502; 248/188, 188.1, 188.7, 188.8, 188.9; 297/300.4, 344.18, 411.2, 463.1

(56) **References Cited**

U.S. PATENT DOCUMENTS

D234,384 S	*	2/1975	Tacke	D6/366
D236,061 S	*	7/1975	Tacke	D6/498
3,937,434 A	*	2/1976	Tacke	248/188.7
4,288,052 A	*	9/1981	Scott	248/188.7
5,290,004 A	*	3/1994	Frost et al.	248/188.7
RE36,640 E	*	4/2000	Frost et al.	248/188.7
6,273,506 B1	*	8/2001	Niergarth et al.	297/300.4
D462,207 S	*	9/2002	Chen	D6/498

D477,925 S	*	8/2003	Lucci et al.	D6/366
D487,642 S	*	3/2004	Lucci et al.	D6/366

* cited by examiner

Primary Examiner—Mimosa De
(74) *Attorney, Agent, or Firm*—O’Connell Law Firm

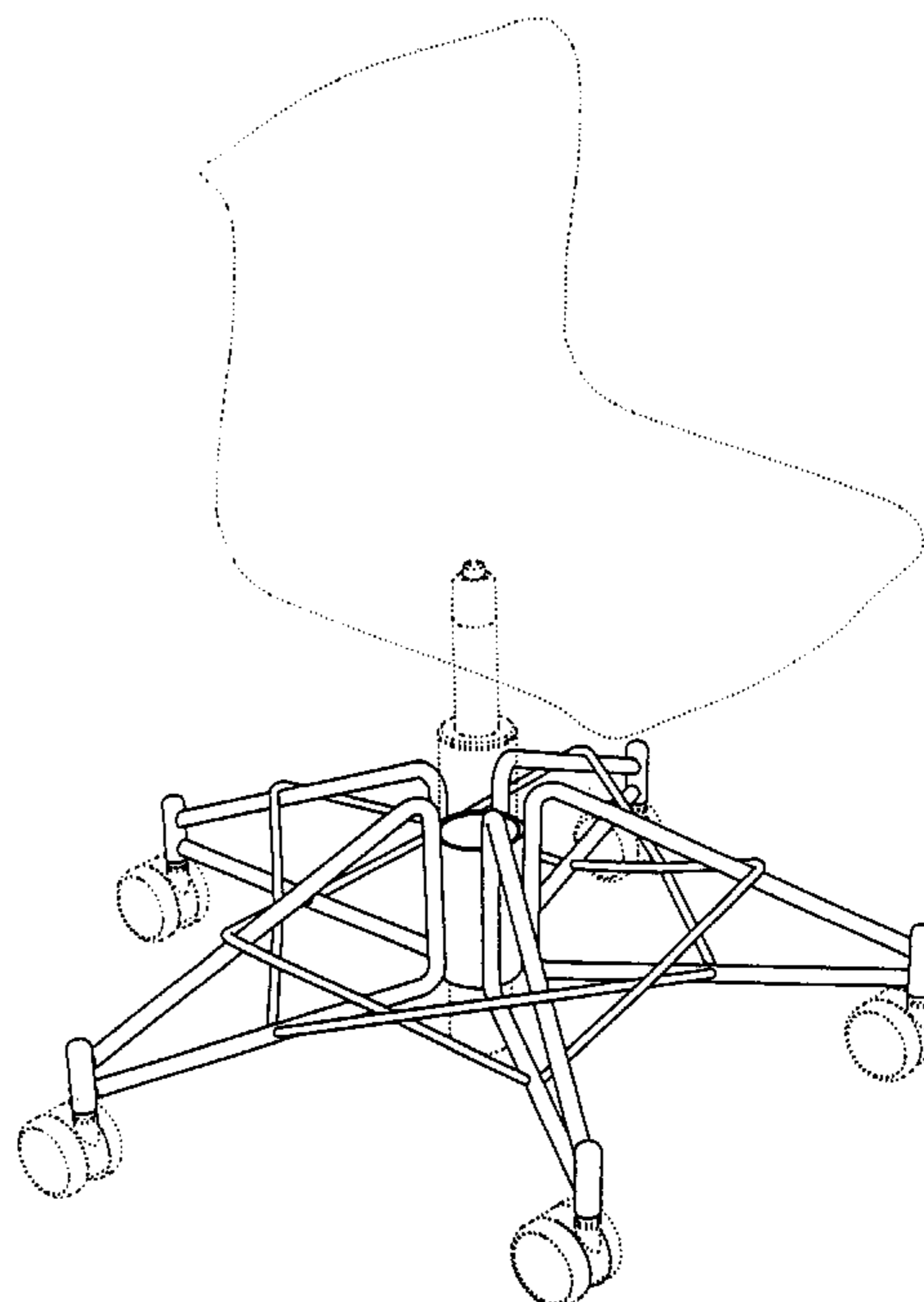
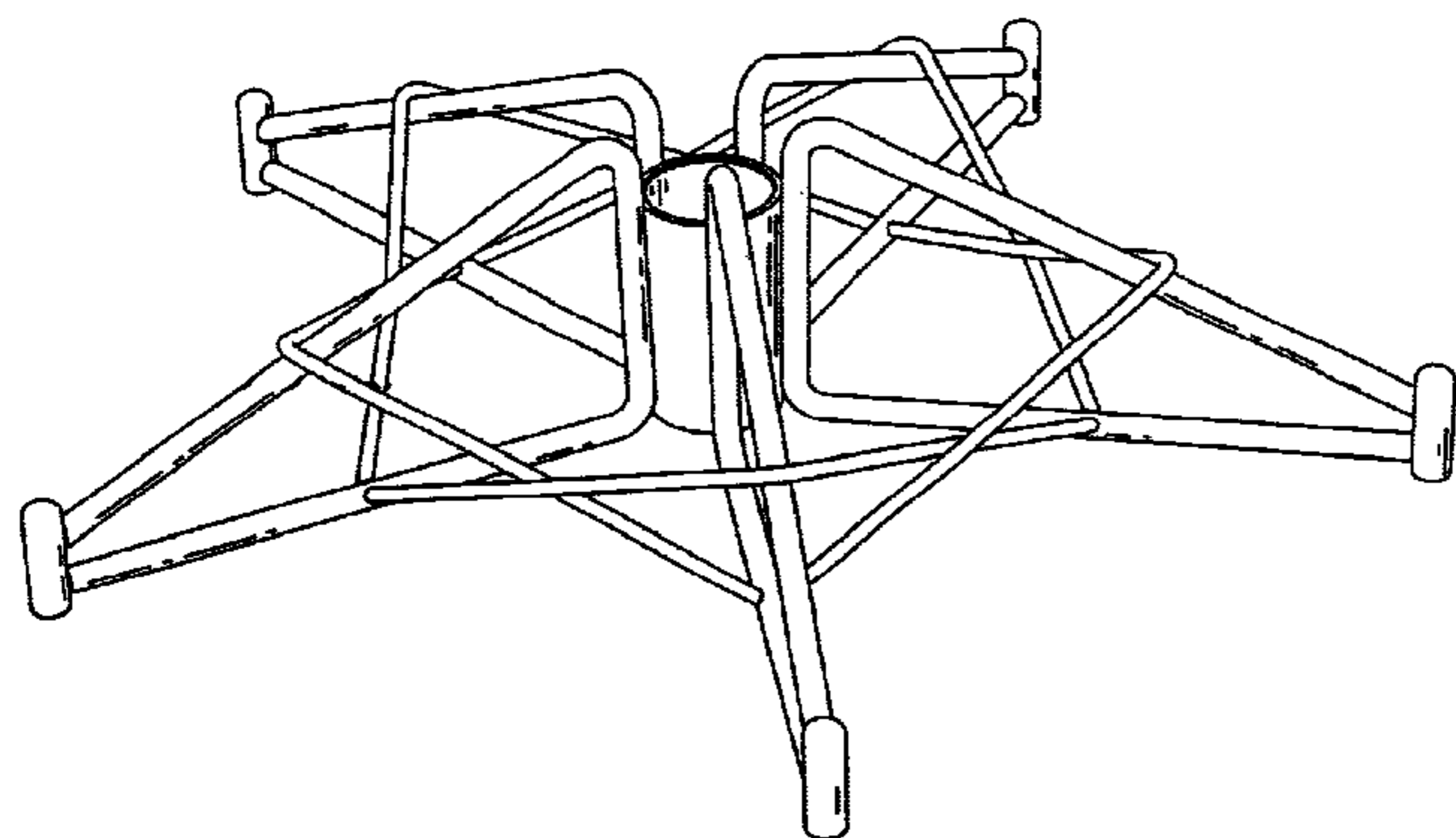
(57) **CLAIM**

I claim the ornamental design for a star configuration chair base, as shown and described.

DESCRIPTION

FIG. 1 is a perspective view of a star configuration chair base according to my new design;
 FIG. 2 is a reduced top plan view of the star configuration chair base of FIG. 1;
 FIG. 3 is a reduced bottom plan view of the star configuration chair base of FIG. 1.
 FIG. 4 is a reduced view in side elevation of the star configuration base of FIG. 1, the opposite side being a mirror image thereof; and,
 FIG. 5 is a reduced perspective view of the star configuration chair base of FIG. 1, the broken lines of parts and parts other than the star configuration chair base being for illustrative purposes only and forming no part of my design.

1 Claim, 3 Drawing Sheets



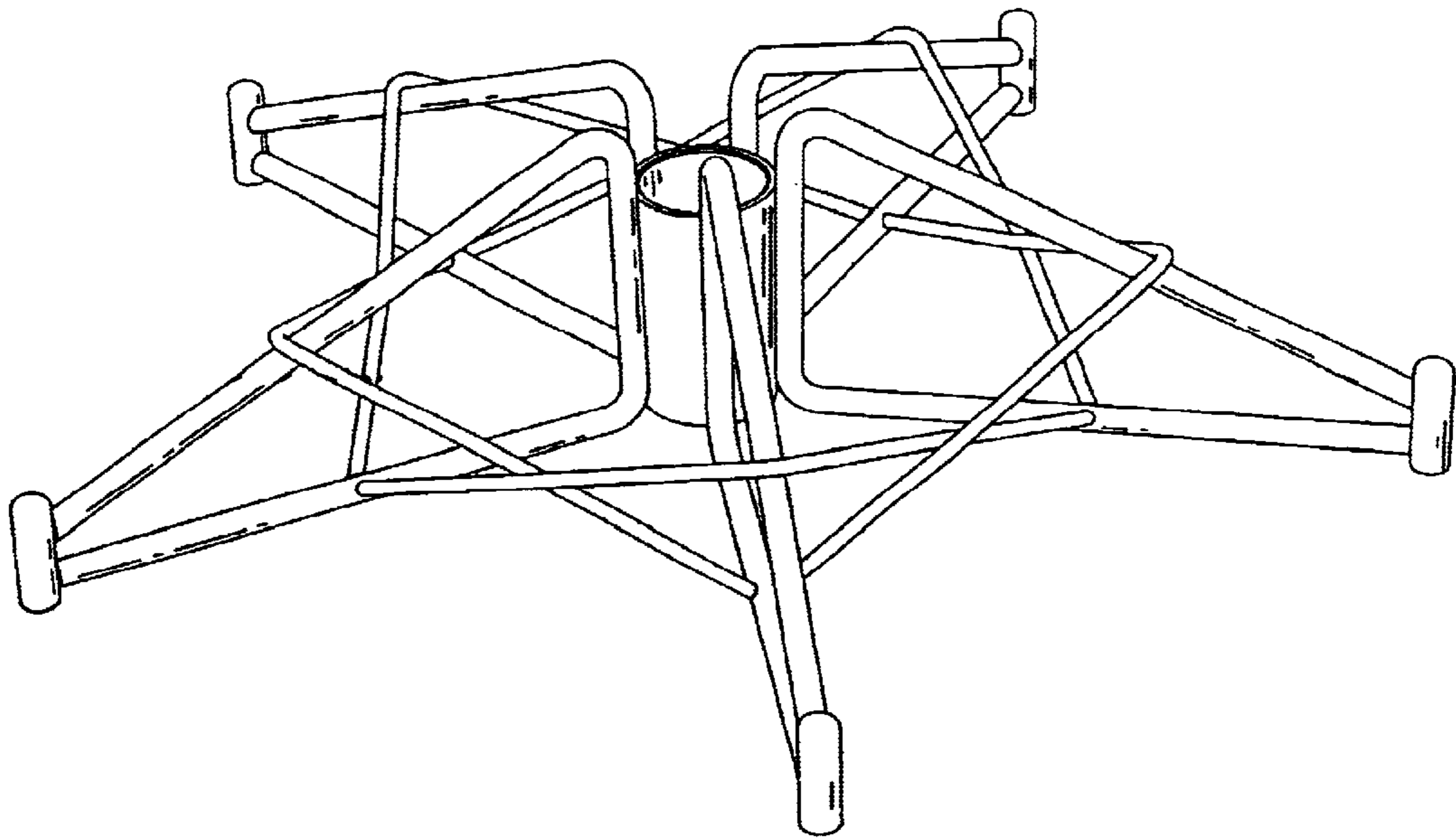
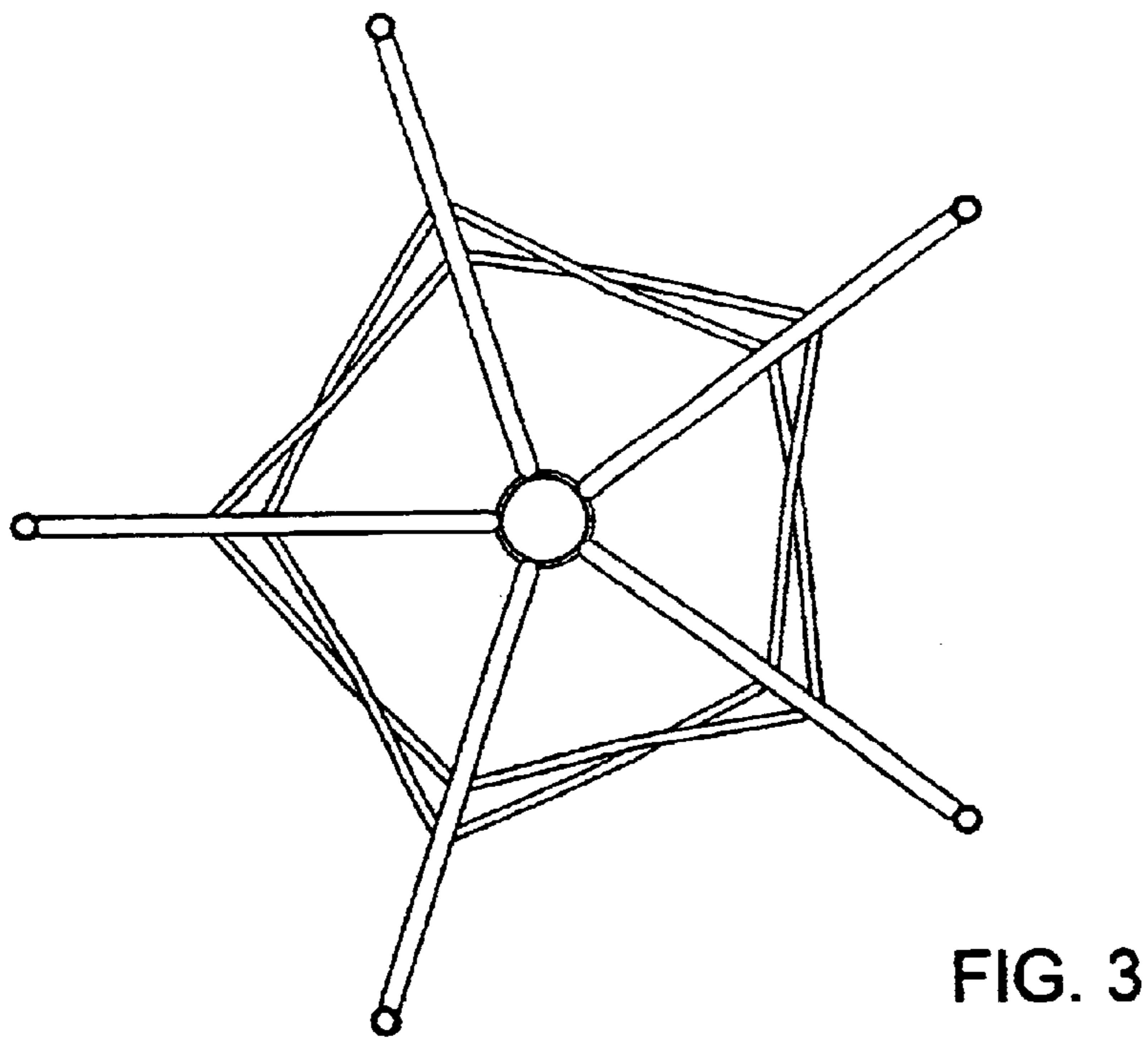
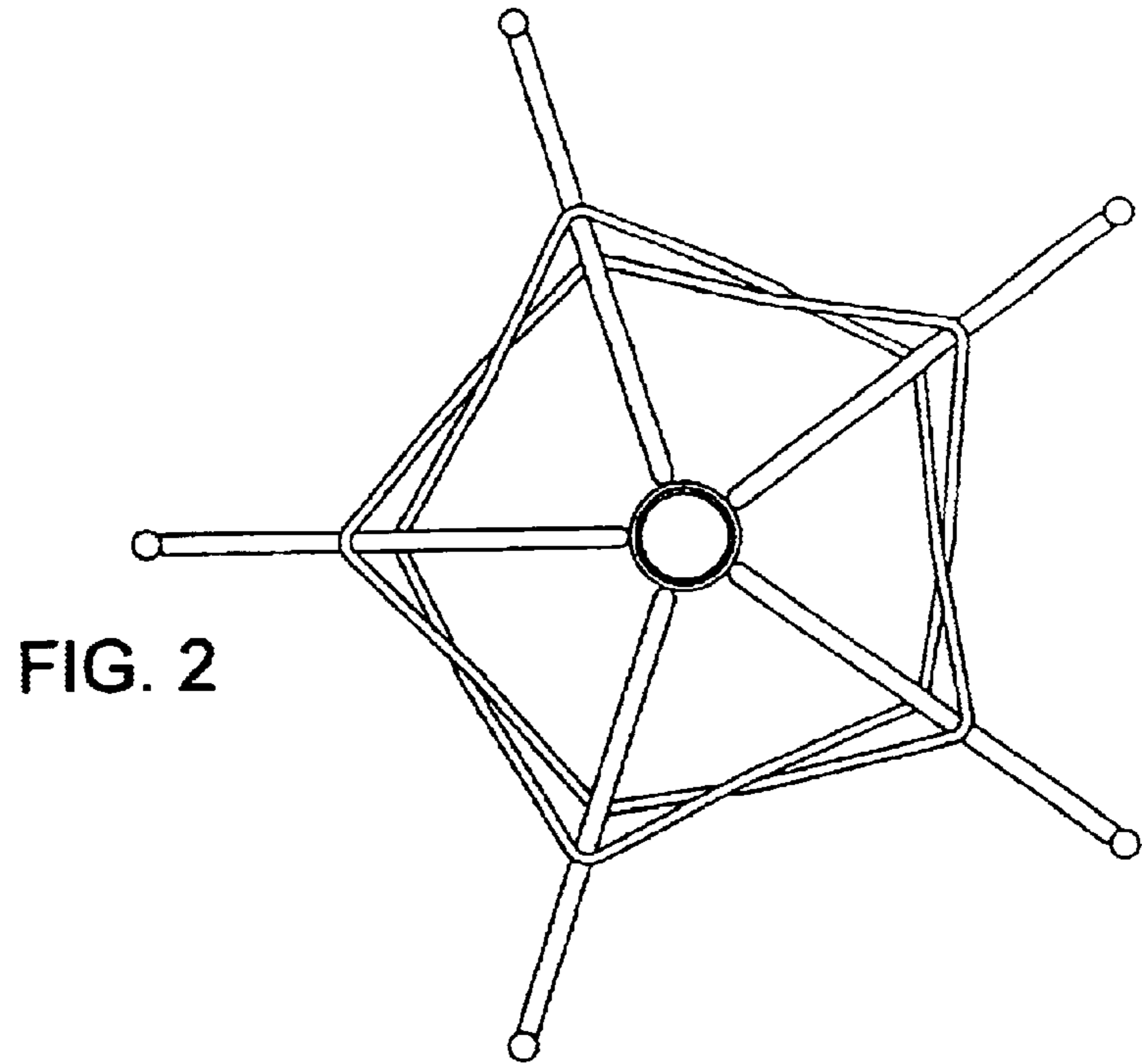


FIG. 1



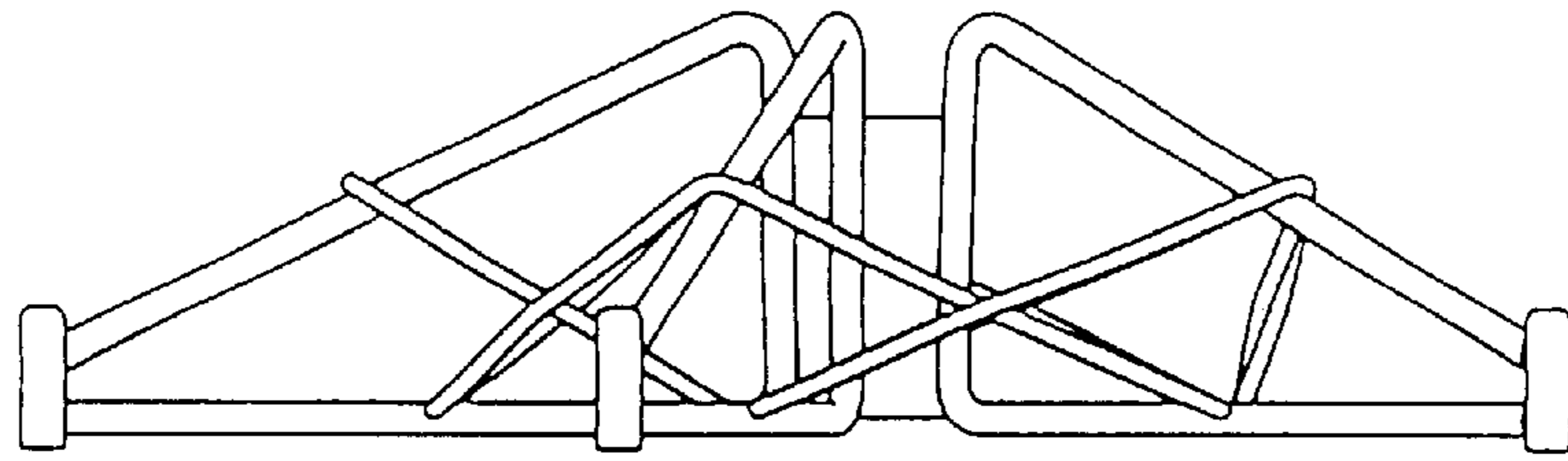


FIG. 4

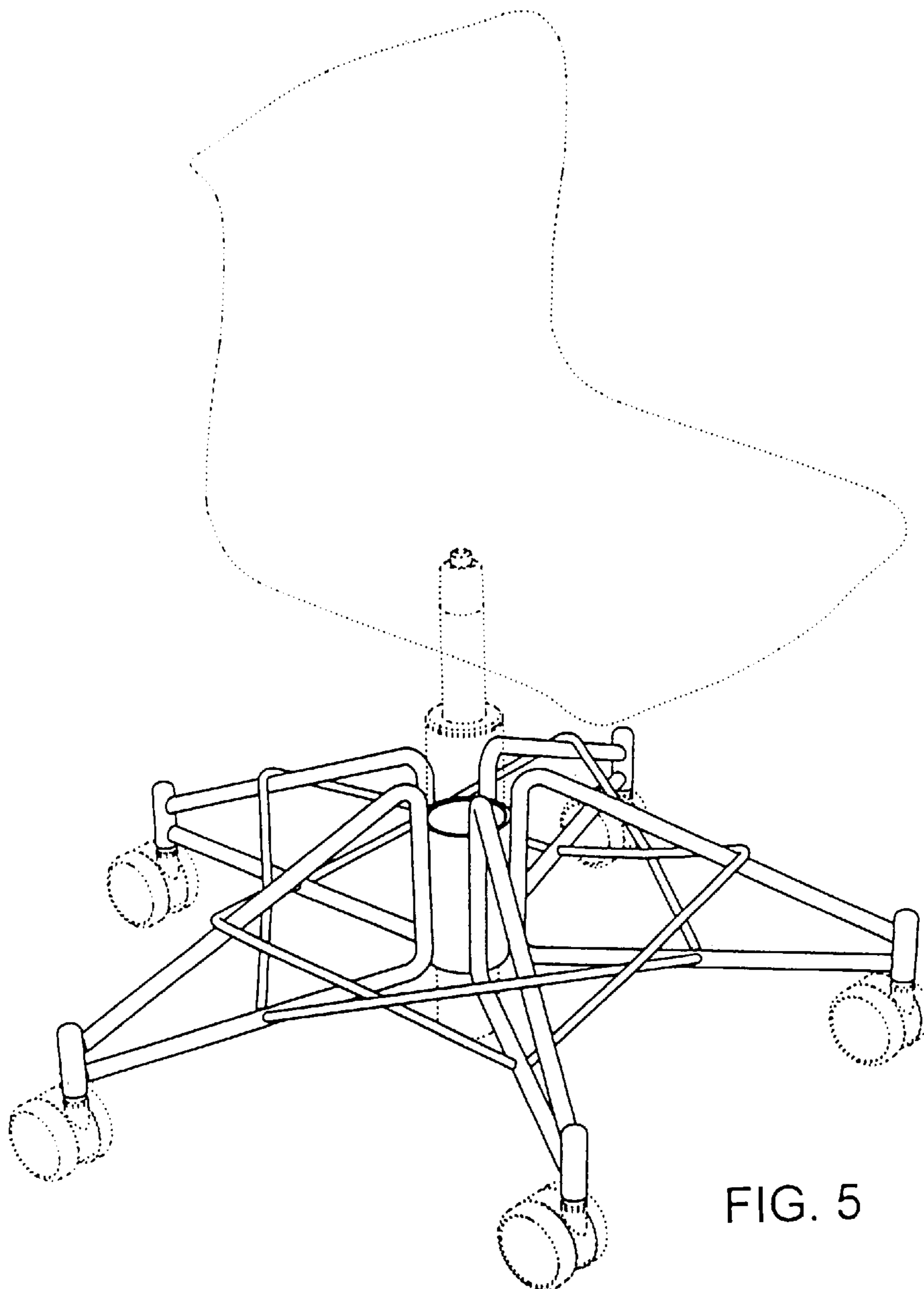


FIG. 5