



US00D508803S

(12) **United States Design Patent**
Anderson

(10) **Patent No.:** **US D508,803 S**

(45) **Date of Patent:** **** Aug. 30, 2005**

(54) **TABLE**

(75) **Inventor:** **Gregory Alan Anderson**, Bend, OR
(US)

(73) **Assignee:** **ScrapNcube, LLC**, Bend, OR (US)

(**) **Term:** **14 Years**

(21) **Appl. No.:** **29/202,534**

(22) **Filed:** **Apr. 1, 2004**

(51) **LOC (8) Cl.** **06-03**

(52) **U.S. Cl.** **D6/480; D6/483**

(58) **Field of Search** D6/480-489, 495-499,
D6/511; 108/153.1, 155, 156, 157.1, 161;
248/188, 188.1, 188.8

(56) **References Cited**

U.S. PATENT DOCUMENTS

D157,377 S	*	2/1950	Karp	D6/430
D244,114 S	*	4/1977	Neff	D6/484
D296,054 S	*	6/1988	Connell et al.	D6/480
4,922,835 A	*	5/1990	Van Vliet et al.	108/185

OTHER PUBLICATIONS

Sperry Rand Brochure, Mar. 21, 1973, p. 2, table at bottom.*

* cited by examiner

Primary Examiner—Janice E. Seeger

(74) *Attorney, Agent, or Firm*—Chernoff, Vilhauer,
McClung & Stenzel LLP

(57) **CLAIM**

The ornamental design for a table, as shown and described.

DESCRIPTION

FIG. 1 is an isometric view from the upper right front of a table including a first embodiment of my new design;

FIG. 2 is an isometric view thereof from the upper left rear;

FIG. 3 is a front elevational view thereof;

FIG. 4 is a right side elevational view thereof, the left side elevational view being a mirror image of FIG. 4; and

FIG. 5 is a bottom plan view of the table shown in FIG. 1; and

FIG. 6 is an isometric view from the upper right front of a table including a second embodiment of my new design;

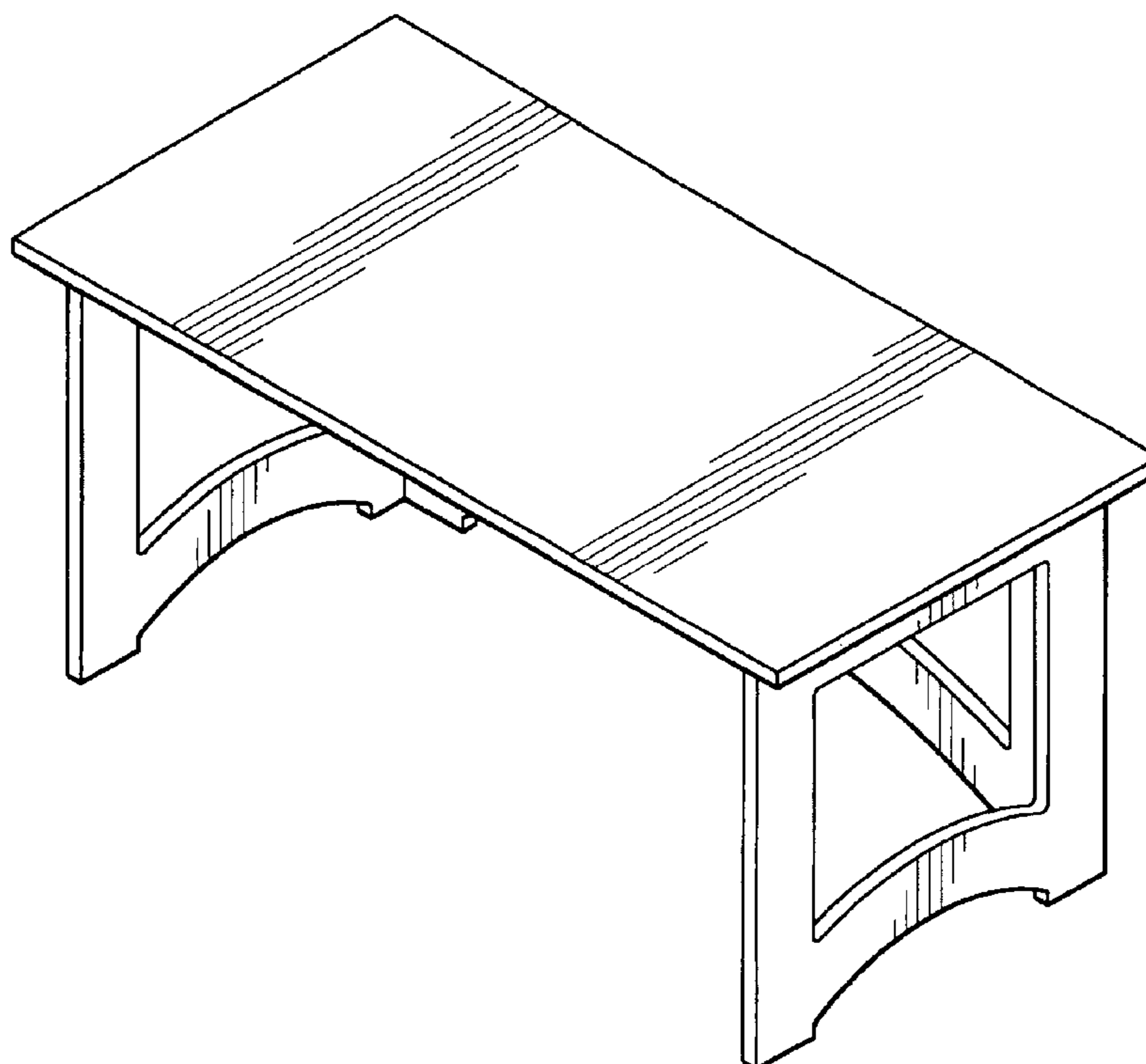
FIG. 7 is an isometric view from the upper left rear thereof;

FIG. 8 is a front elevational view thereof;

FIG. 9 is a right side elevational view, the left side being a mirror image thereof; and,

FIG. 10 is a bottom plan view of the table shown in FIG. 6.

1 Claim, 5 Drawing Sheets



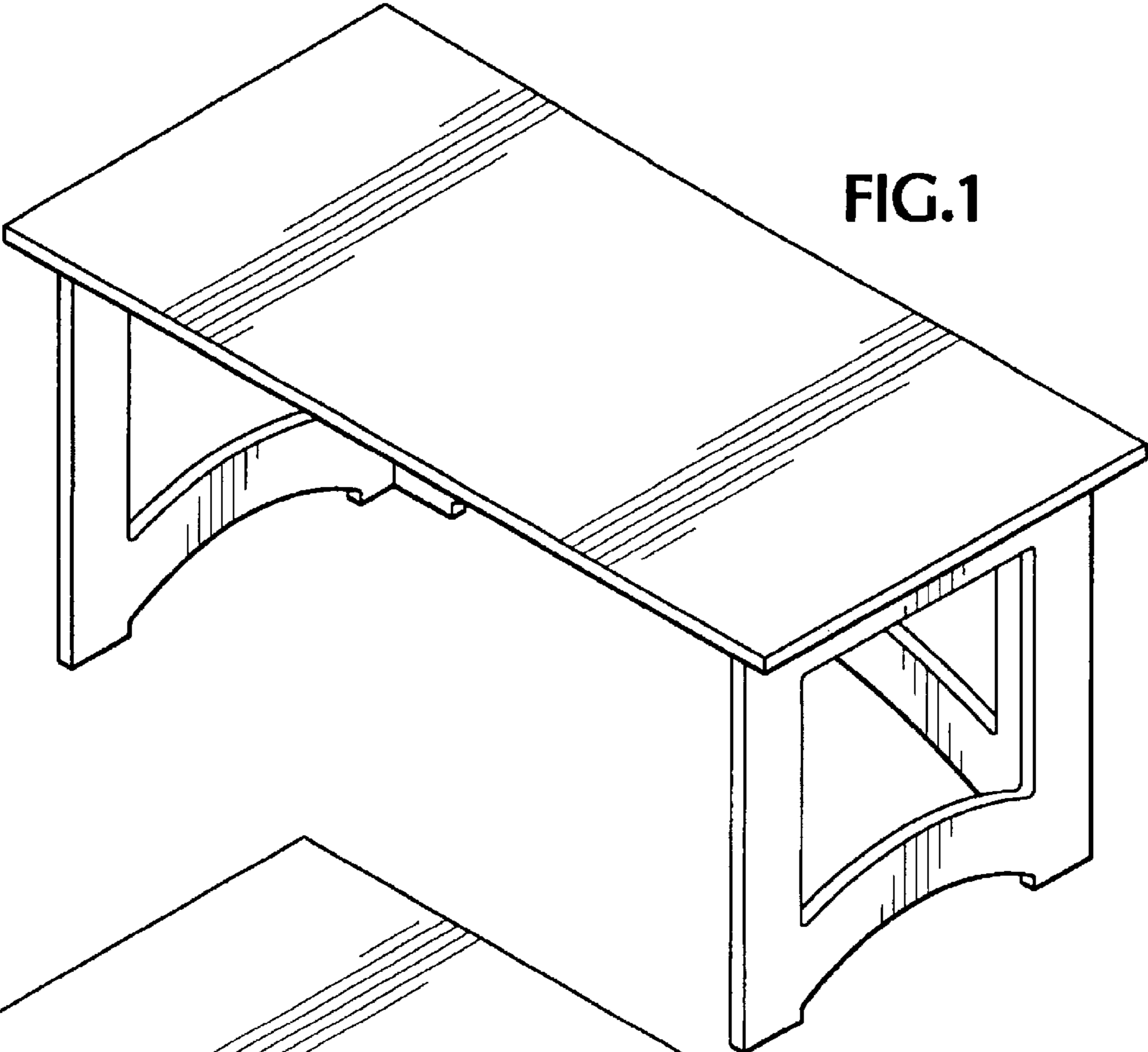


FIG.1

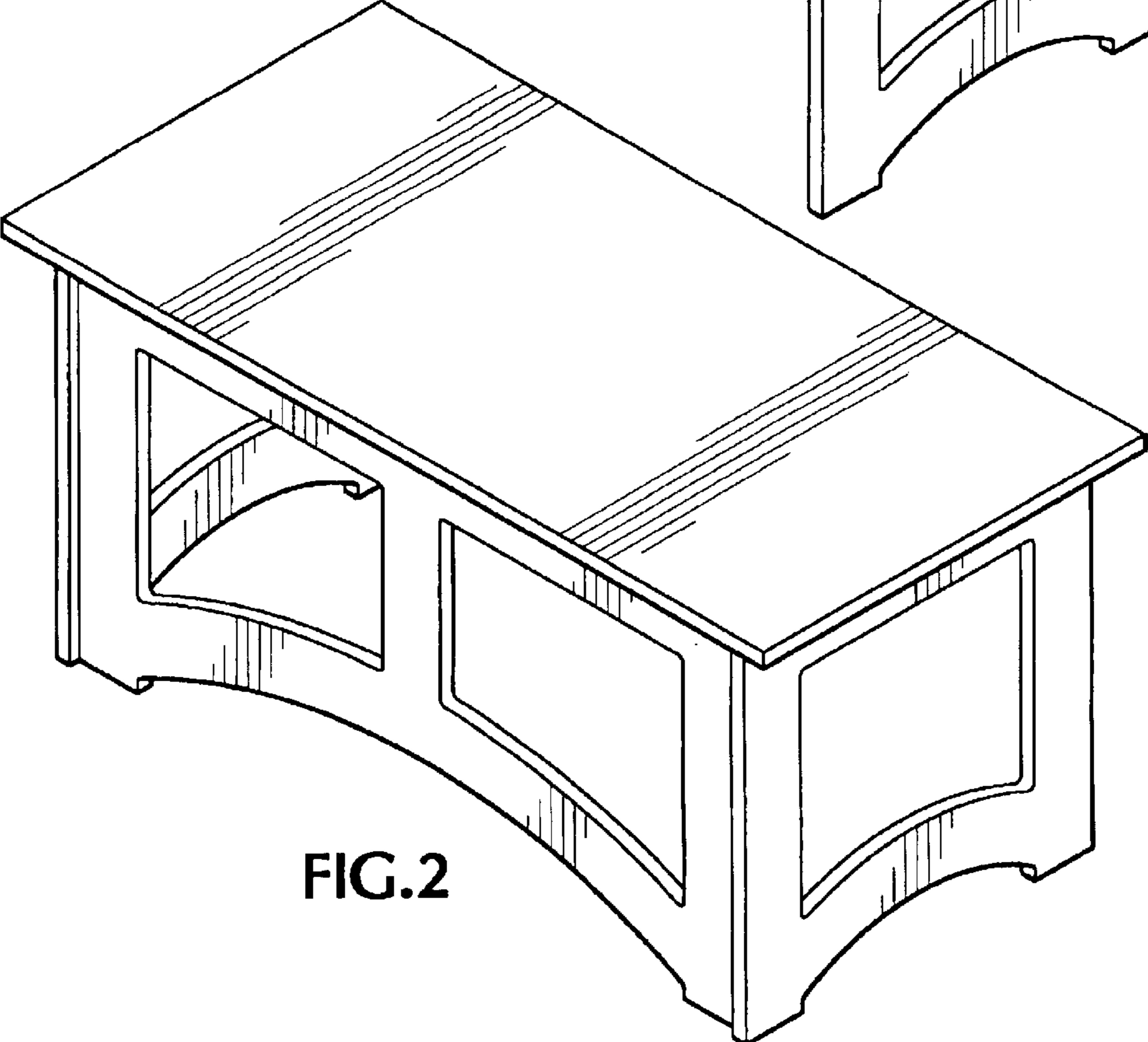


FIG.2

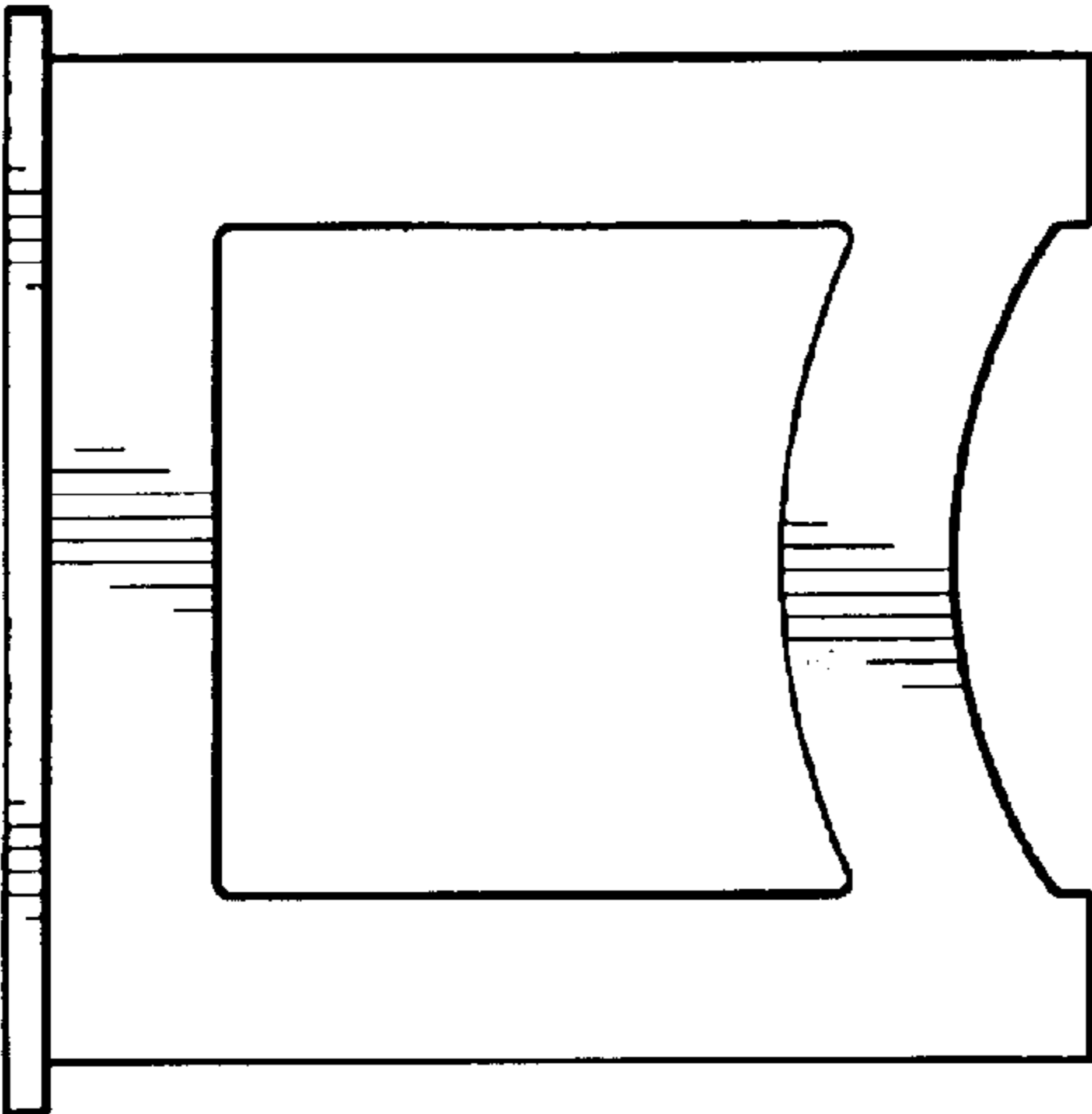


FIG. 4

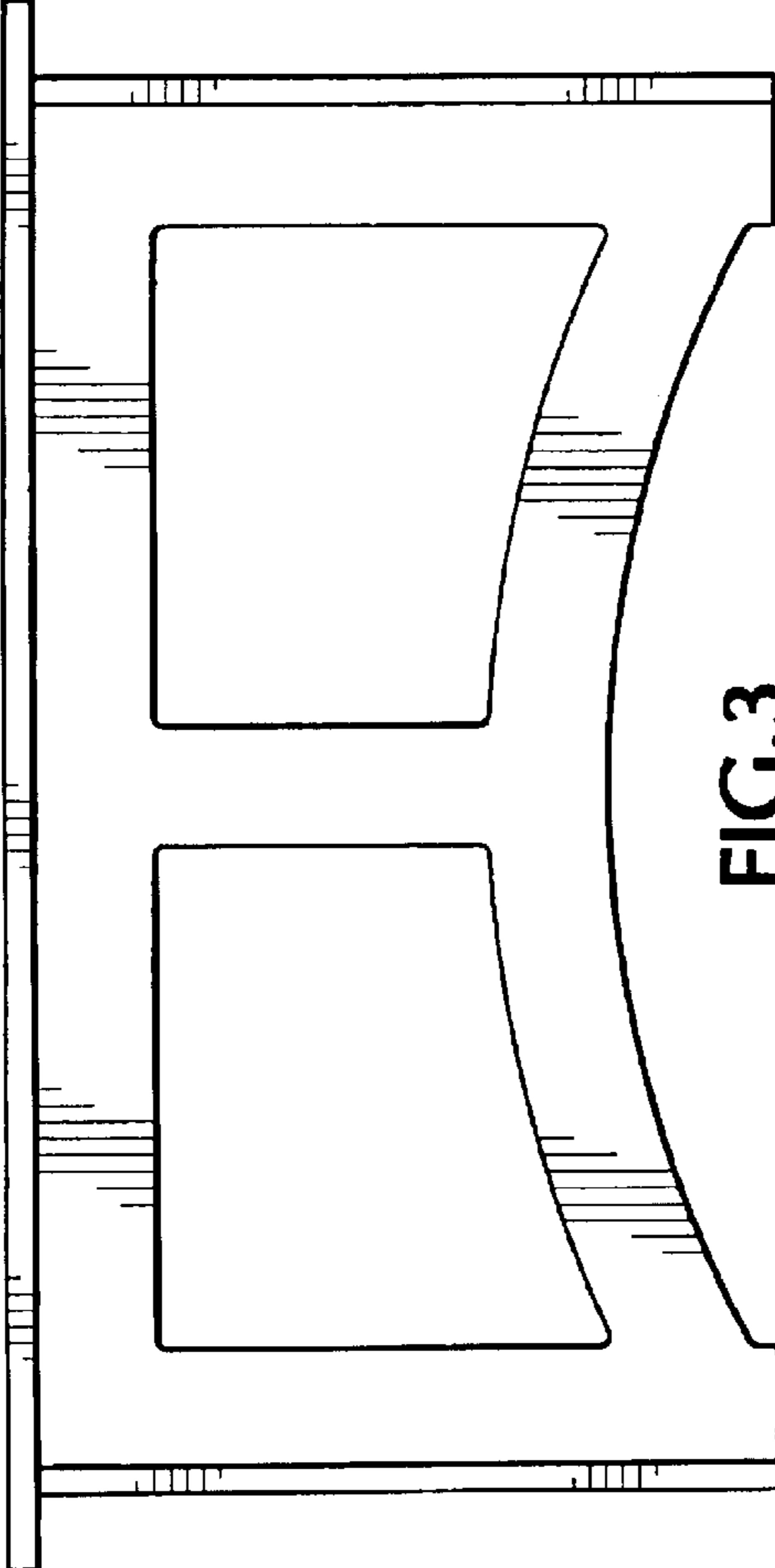


FIG. 3

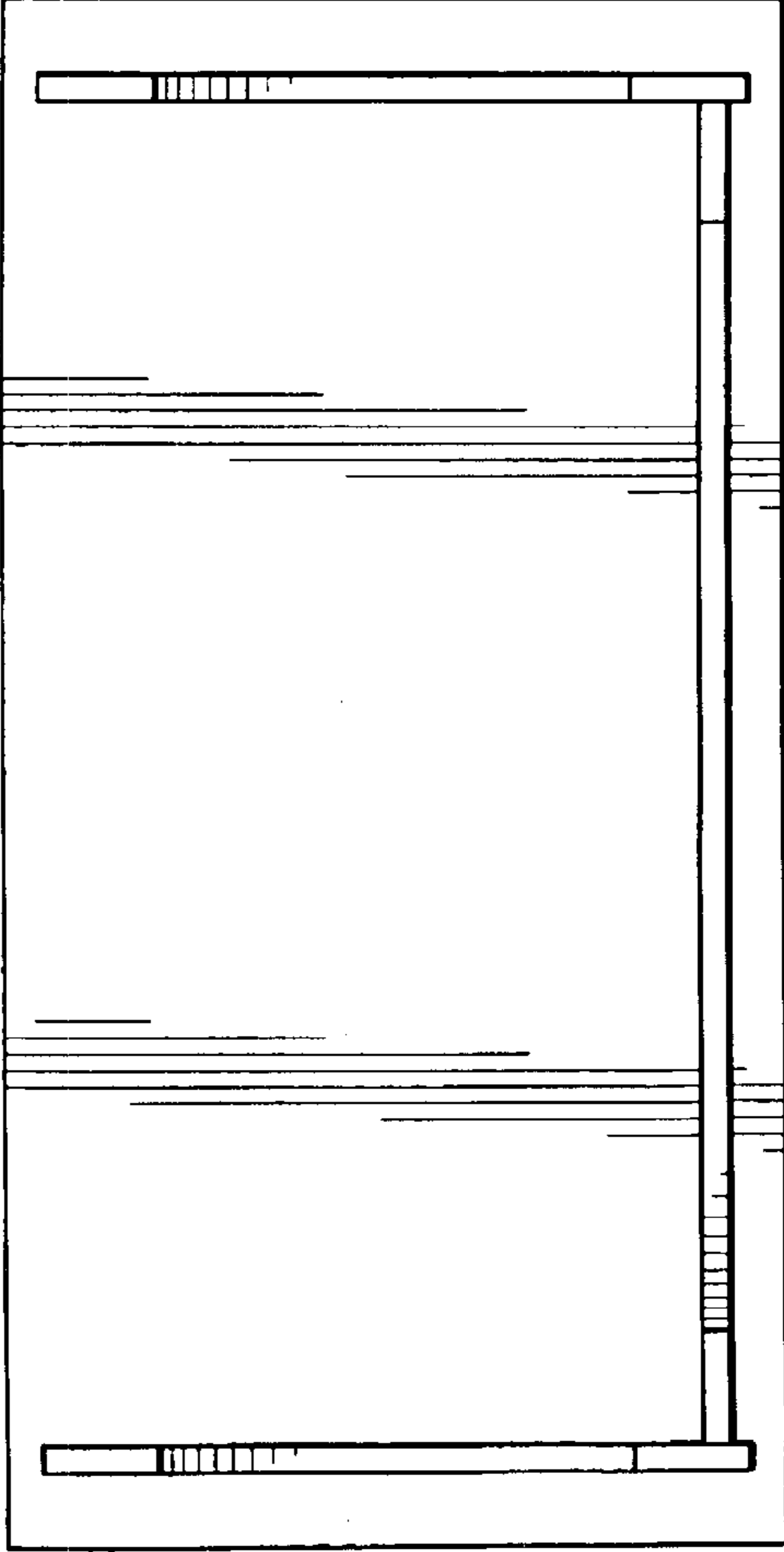


FIG. 5

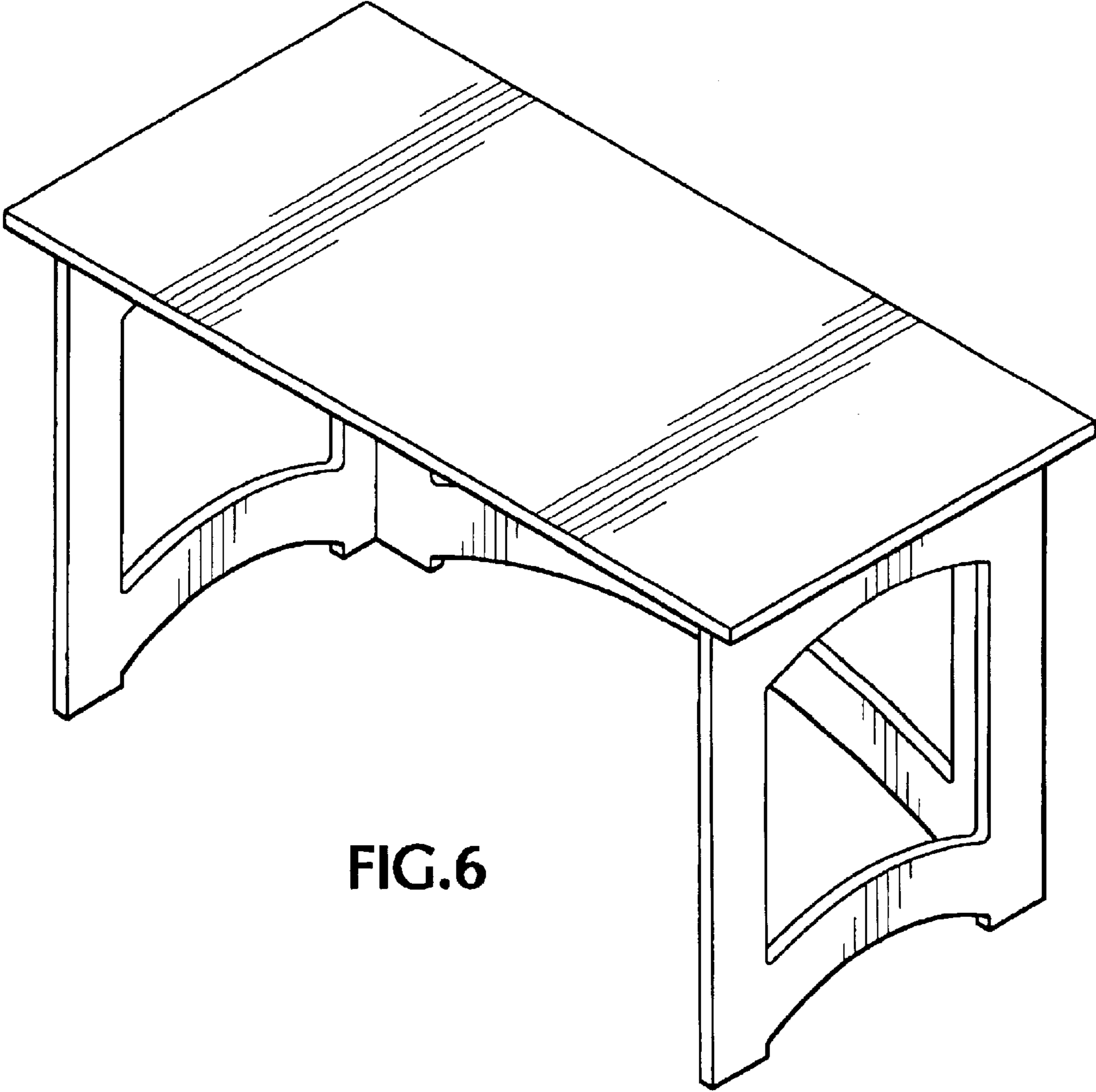


FIG.6

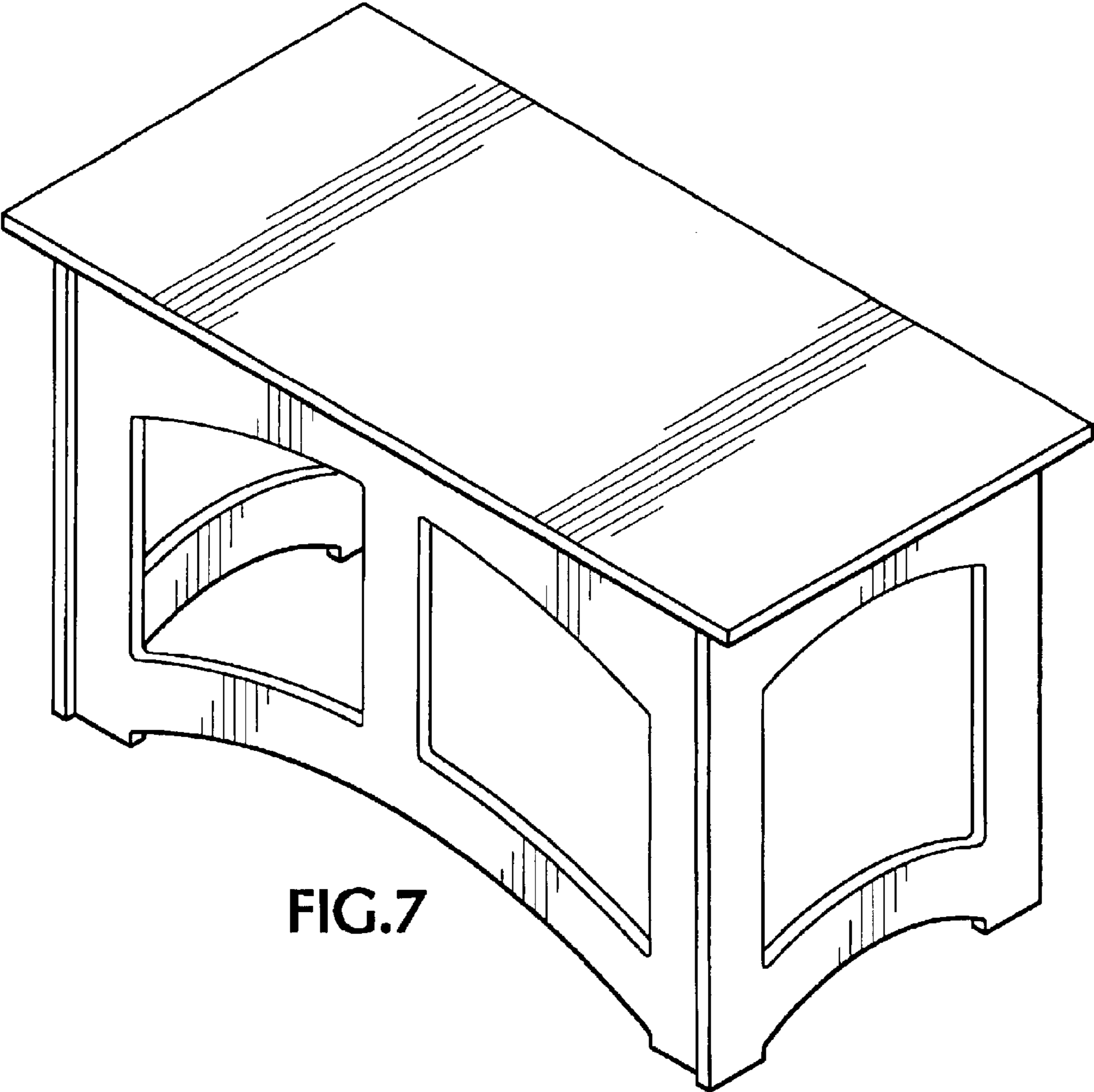


FIG.7

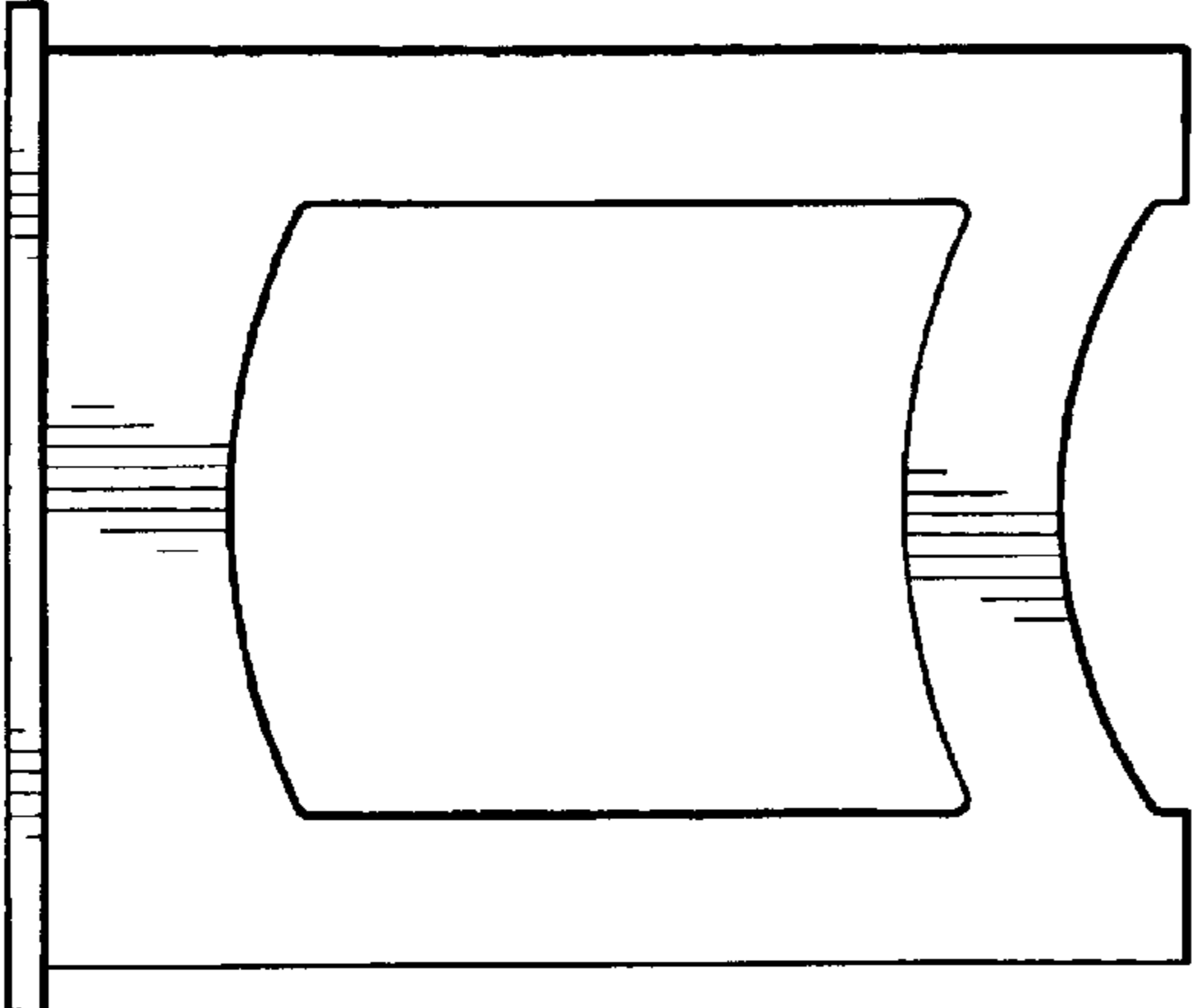


FIG. 9

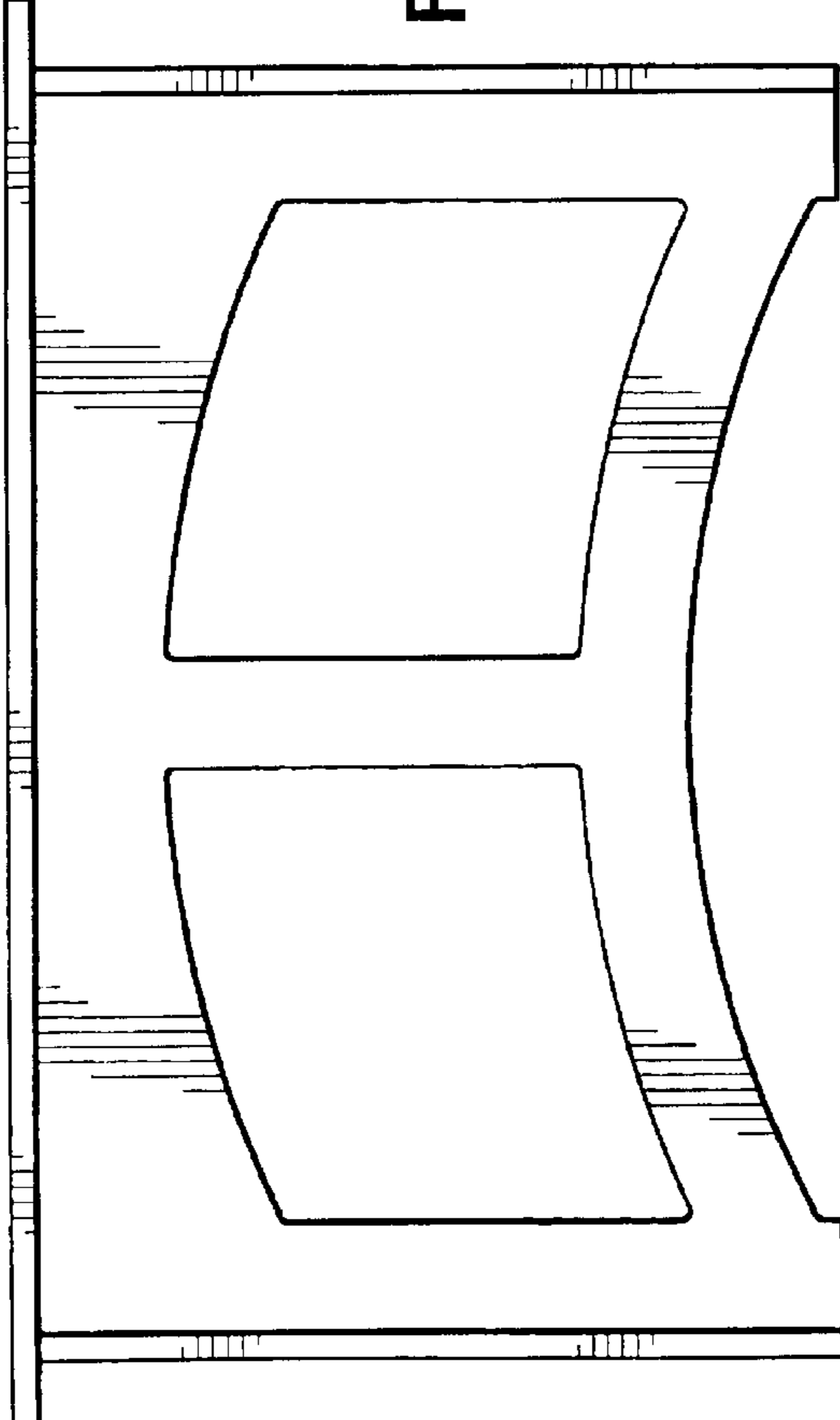


FIG. 8

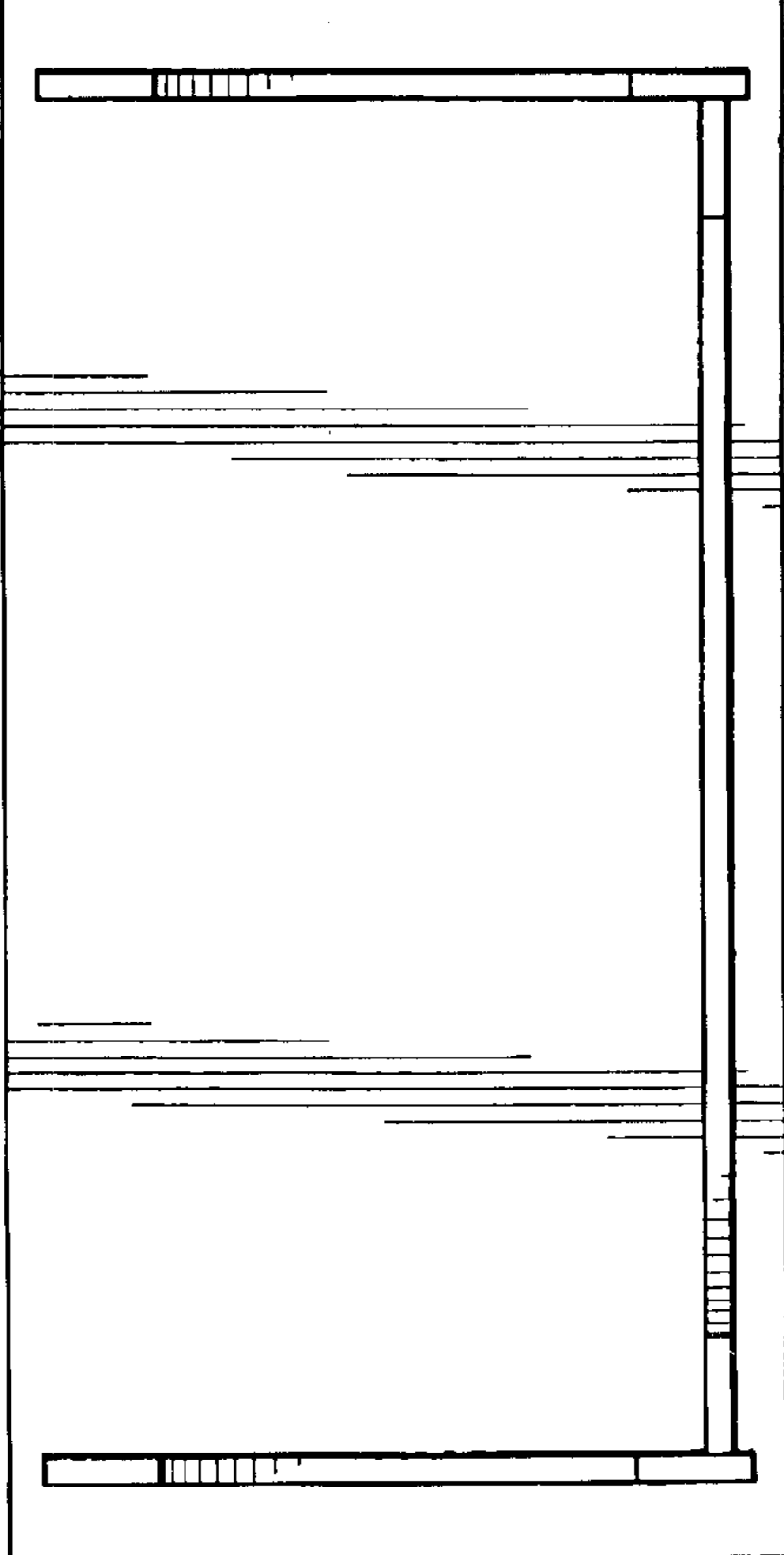


FIG. 10