

US00D508801S

(12) **United States Design Patent**
Holst

(10) **Patent No.:** **US D508,801 S**

(45) **Date of Patent:** **** Aug. 30, 2005**

(54) **TELEVISION STAND**

(75) Inventor: **Marco Holst**, Barsbüttel (DE)

(73) Assignee: **Jahnke GmbH & Co. KG**, Trittau (DE)

(**) Term: **14 Years**

(21) Appl. No.: **29/212,221**

(22) Filed: **Aug. 27, 2004**

(51) **LOC (8) Cl.** **06-04**

(52) **U.S. Cl.** **D6/477; D6/466; D6/479**

(58) **Field of Search** **D6/460, 461, 468, D6/474, 477-479, 407; 108/59, 91, 92, 96; 211/40, 41.12, 42, 49.1, 50, 85.2, 90.04, 187, 190, 119.003, 134.153, 87.01, 71.01**

(56) **References Cited**

U.S. PATENT DOCUMENTS

D458,053 S	*	6/2002	Luong	D6/477
D465,355 S	*	11/2002	Luong	D6/477
D480,237 S	*	10/2003	de Carolis	D6/474
D484,332 S	*	12/2003	Niitsu	D6/477
D491,750 S	*	6/2004	Bertoncini	D6/474
D495,163 S	*	8/2004	Weatherly	D6/479

* cited by examiner

Primary Examiner—Cathron Brooks

(74) *Attorney, Agent, or Firm*—Collard & Roe, P.C.

(57) **CLAIM**

The ornamental design for a television stand, as shown and described.

DESCRIPTION

FIG. 1 shows a front perspective view of a first embodiment of my design for a television stand;

FIG. 2 shows a front view thereof;

FIG. 3 shows a side view thereof;

FIG. 4 shows an opposite side view thereof;

FIG. 5 shows a top view thereof;

FIG. 6 shows a front perspective view of a second embodiment of my design for a television stand;

FIG. 7 shows a front view thereof;

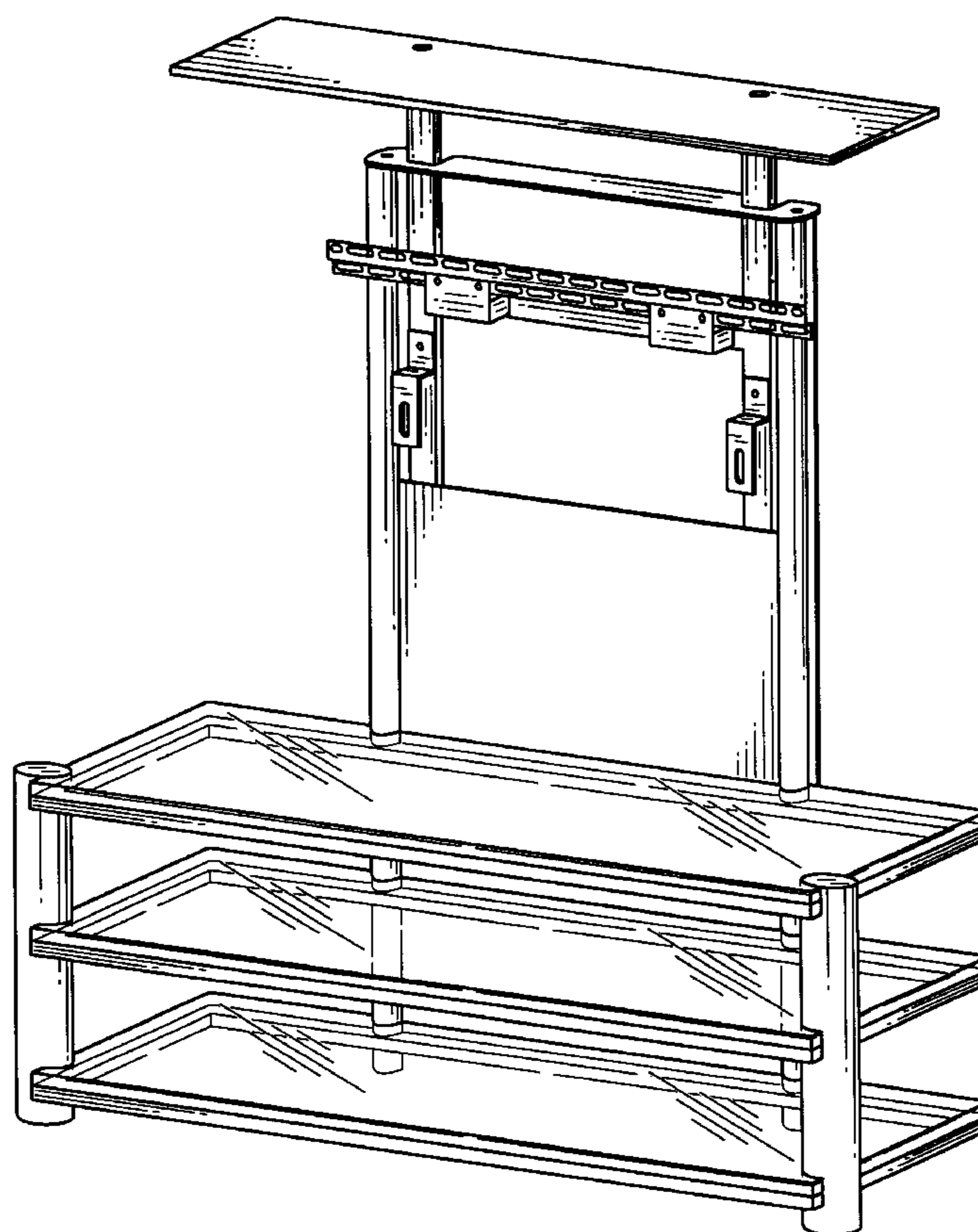
FIG. 8 shows a side view thereof;

FIG. 9 shows an opposite side view thereof; and,

FIG. 10 shows a top view thereof.

The rear and bottom views, which are not shown, form no part of the invention.

1 Claim, 6 Drawing Sheets



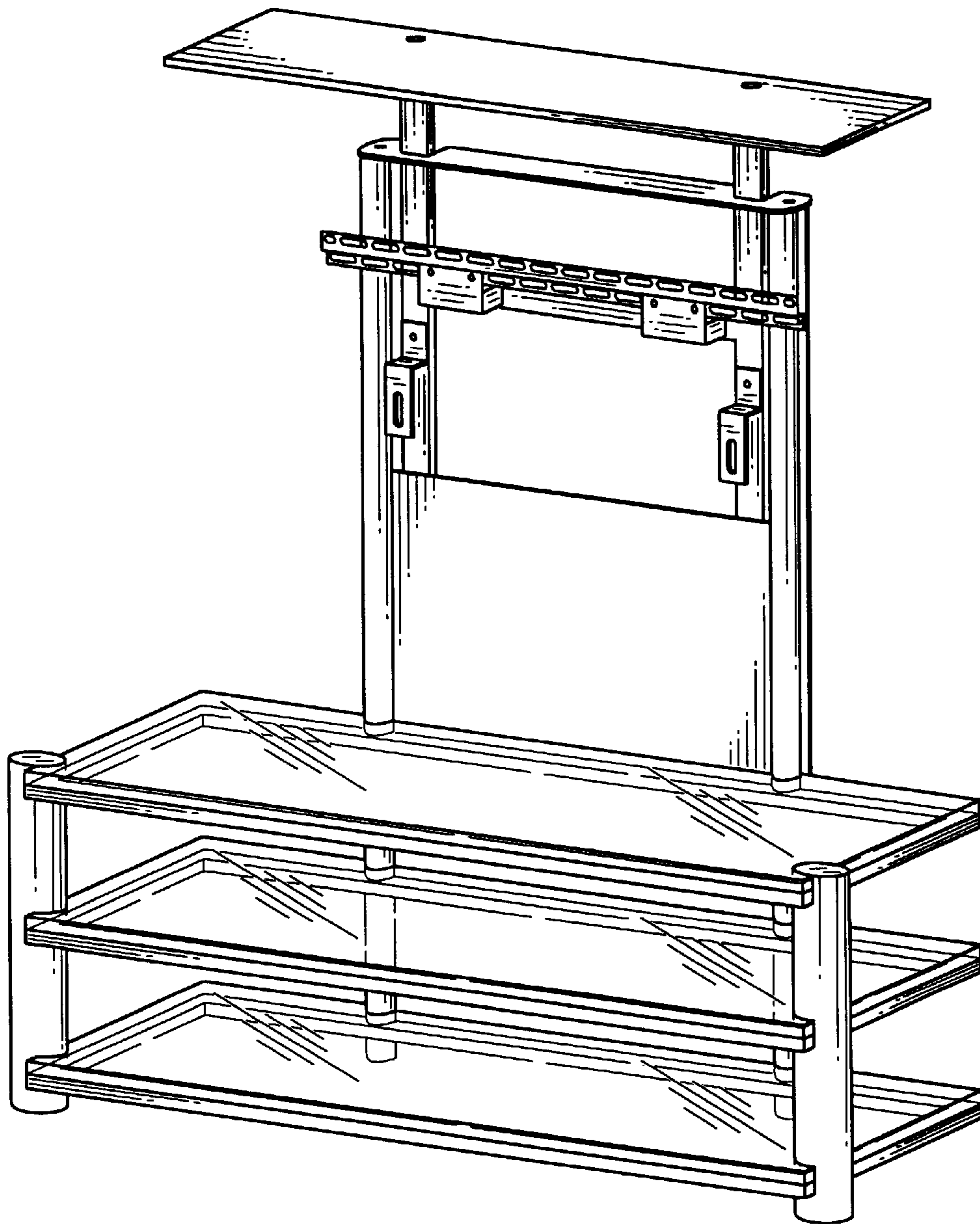


FIG. 1

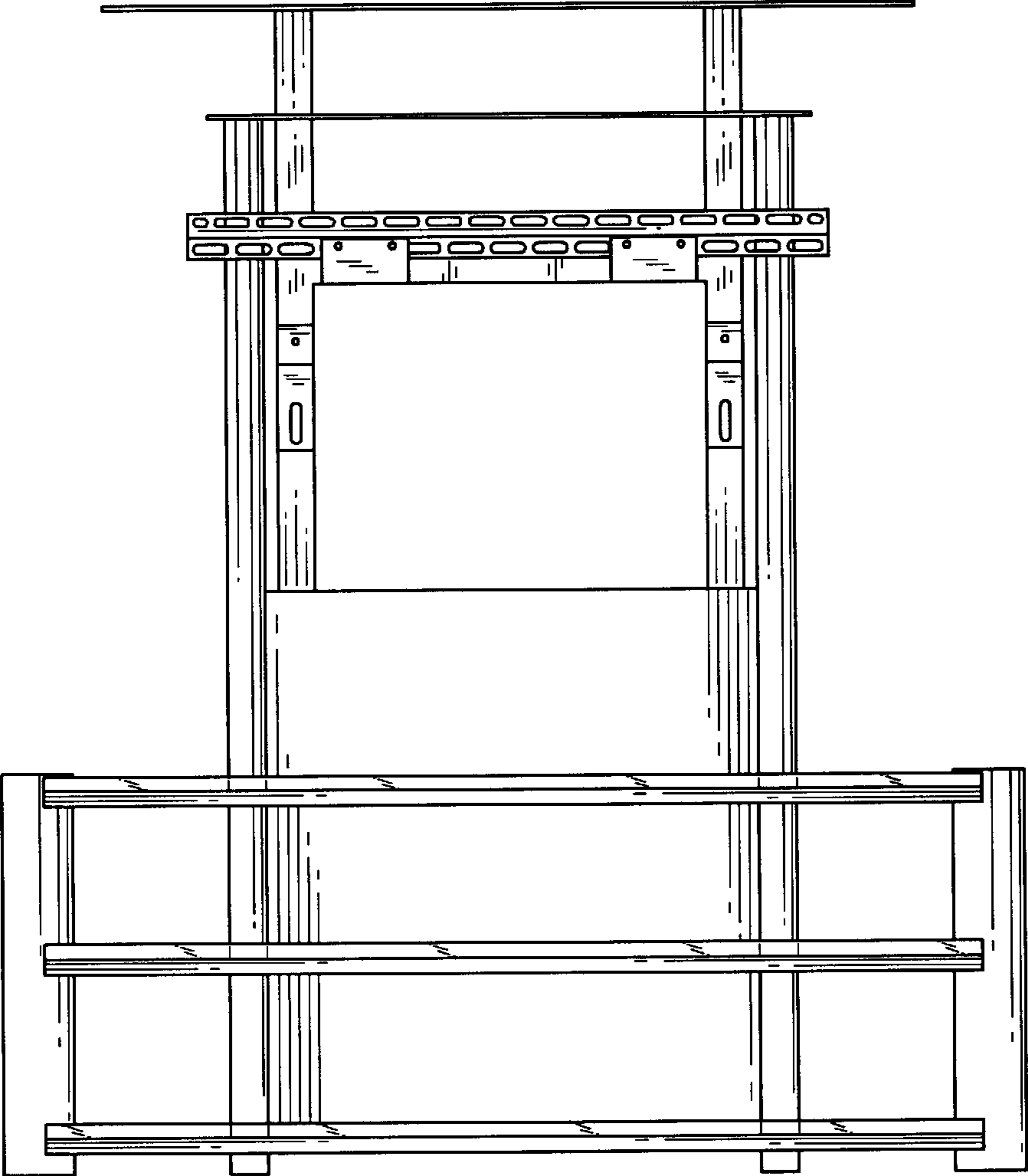


FIG. 2

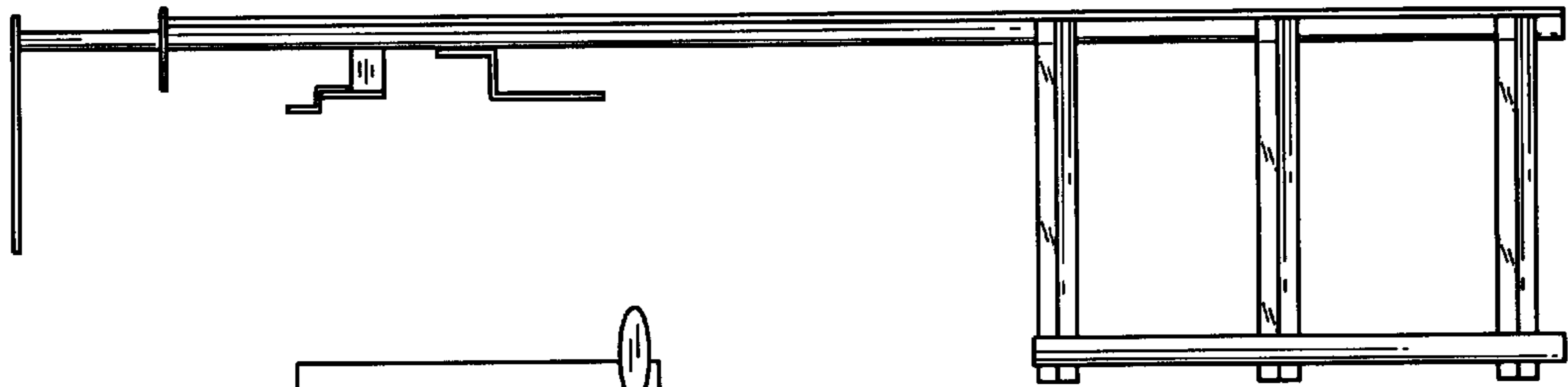


FIG. 4

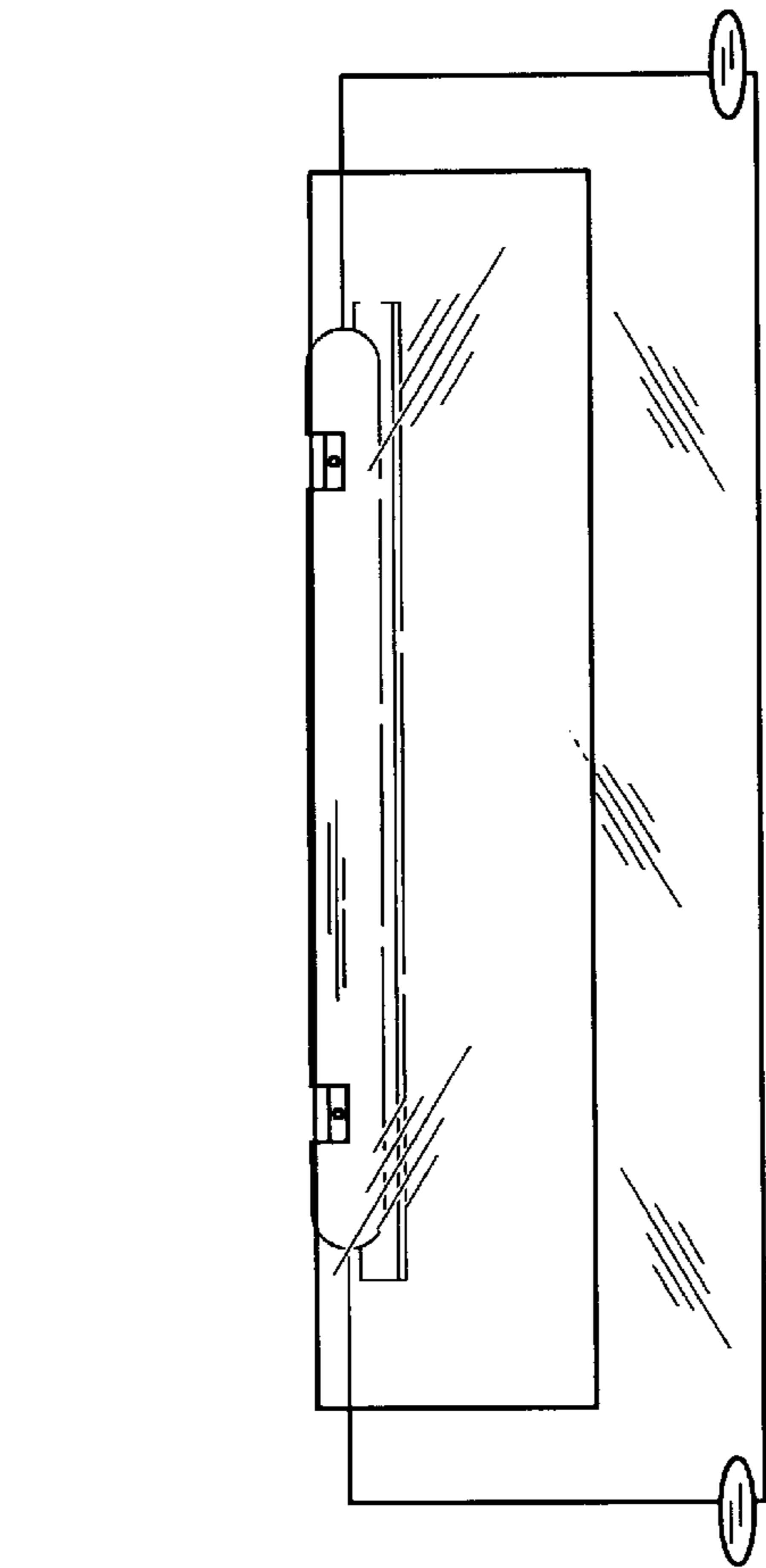


FIG. 5



FIG. 3

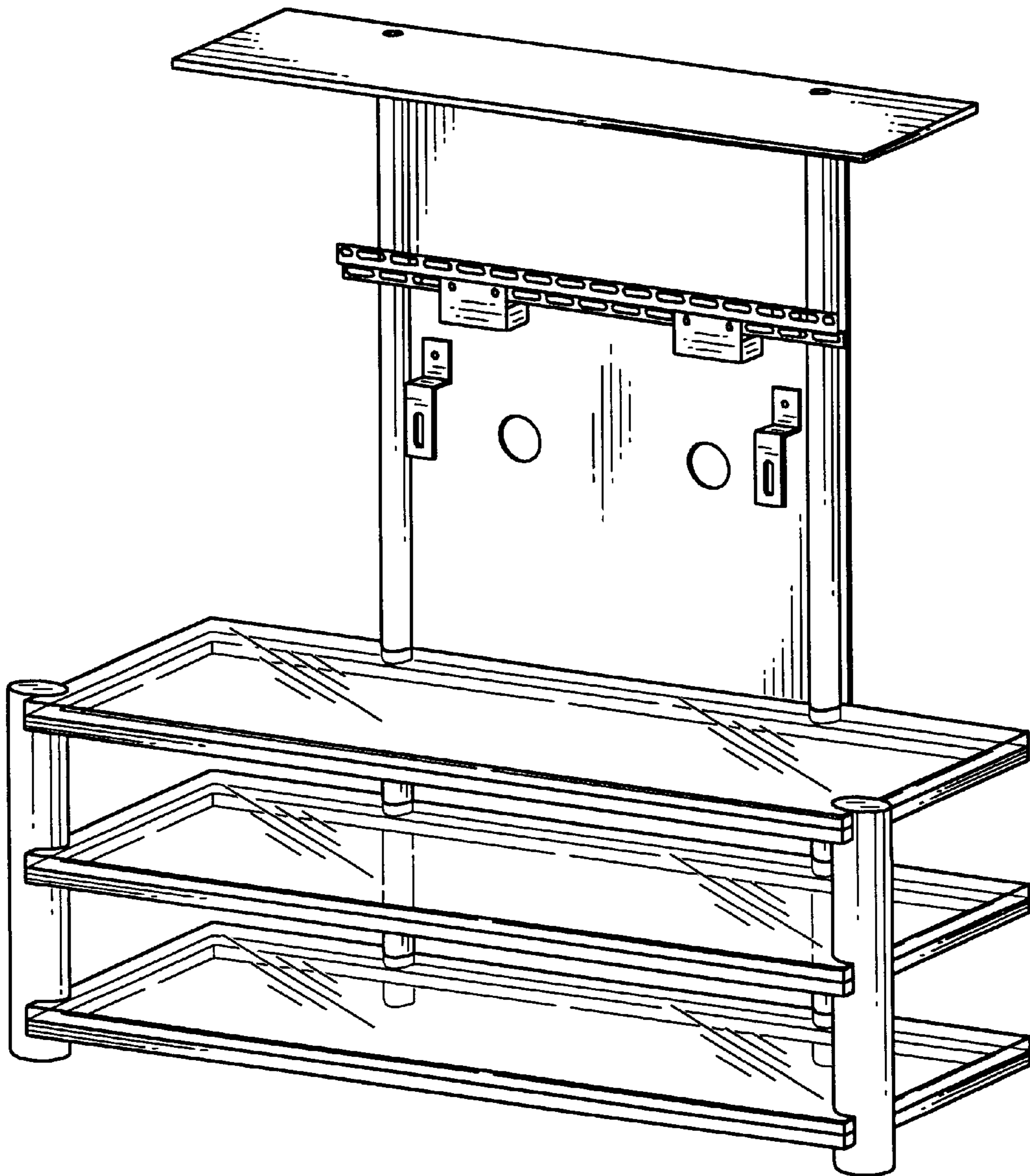


FIG. 6

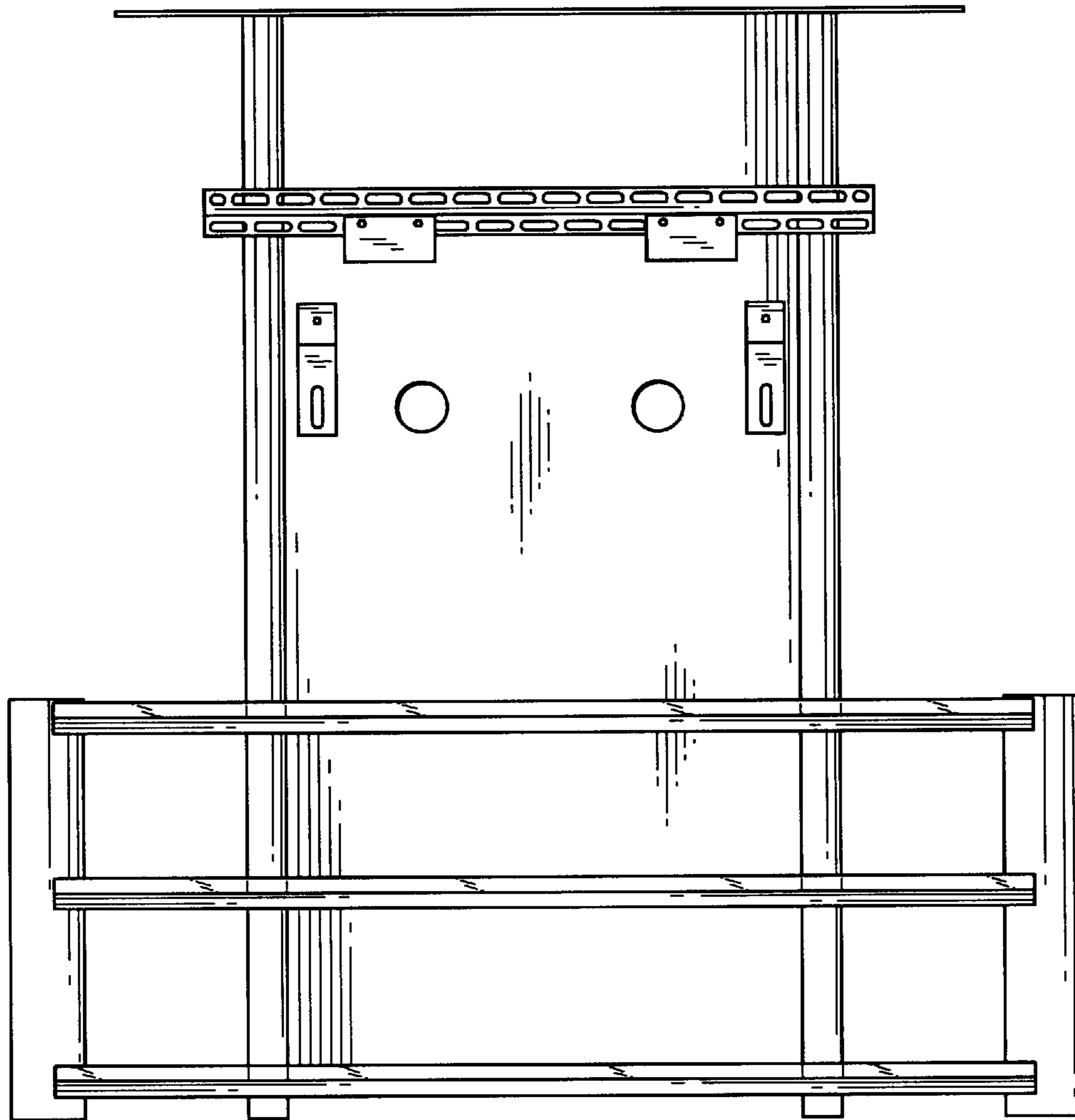


FIG. 7

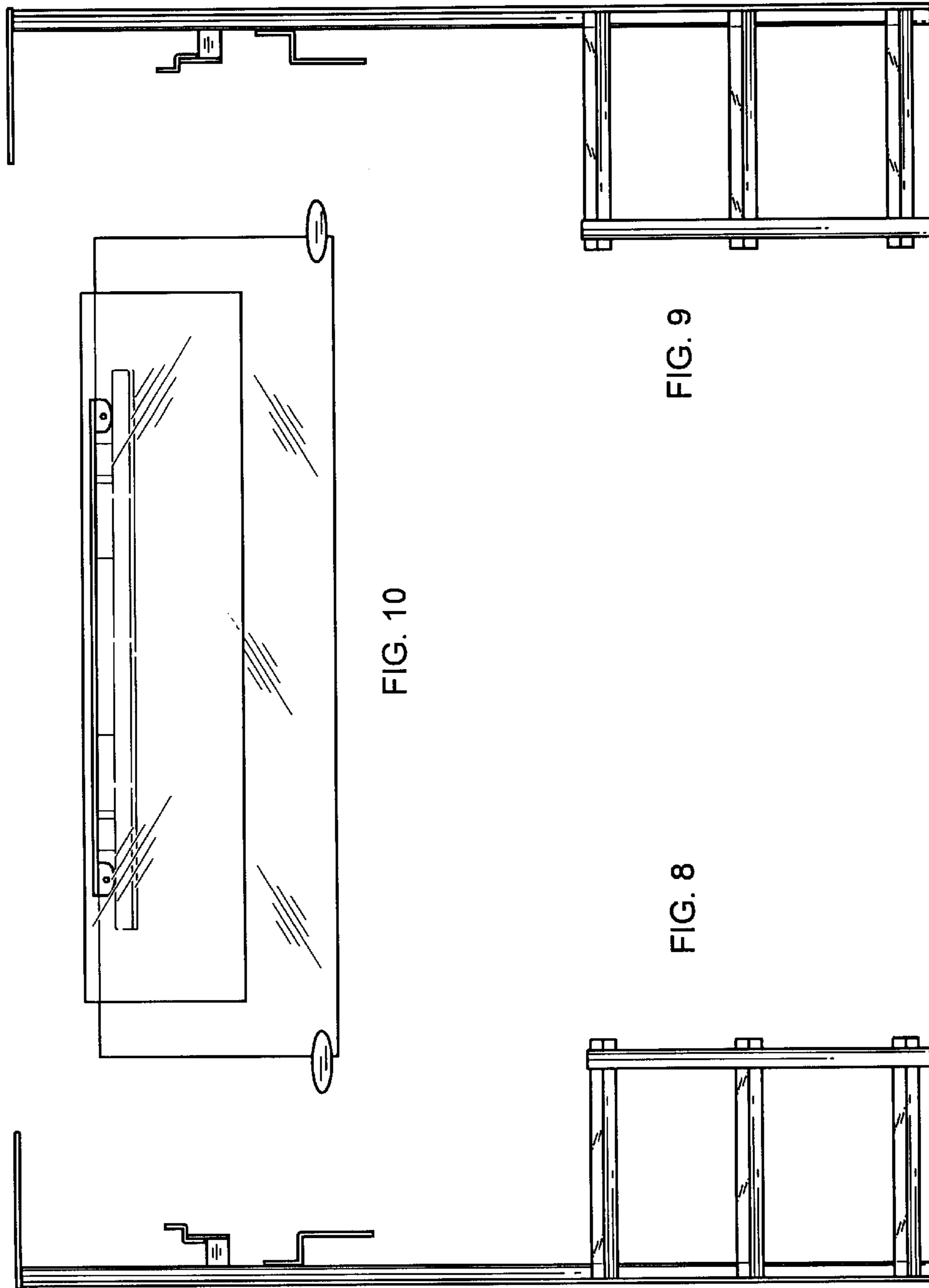


FIG. 9

FIG. 8

FIG. 10