

US00D508800S

(12) **United States Design Patent**  
**Sexton**

(10) **Patent No.:** **US D508,800 S**

(45) **Date of Patent:** **\*\* Aug. 30, 2005**

(54) **AUDIO-VIDEO STORAGE UNIT**

(75) **Inventor:** **James S. Sexton, Danville, CA (US)**

(73) **Assignee:** **Z-Line Designs, San Ramon, CA (US)**

(\*\*) **Term:** **14 Years**

(21) **Appl. No.:** **29/208,075**

(22) **Filed:** **Jun. 22, 2004**

(51) **LOC (8) Cl. .... 06-04**

(52) **U.S. Cl. .... D6/477**

(58) **Field of Search** ..... D6/460, 461, 468,  
D6/474, 477-479, 407; 108/59, 91, 92,  
96; 211/40, 41.12, 42, 49.1, 50, 85.2, 90.04,  
187, 190, 119.003, 134.153, 87.01, 71.01;  
D14/126, 129

(56) **References Cited**

**U.S. PATENT DOCUMENTS**

- D236,054 S \* 7/1975 Ginat ..... D6/479
- 5,584,595 A \* 12/1996 Gantitano et al. .... 312/7.2
- D402,486 S \* 12/1998 Wada et al. .... D6/479

- D477,159 S \* 7/2003 Niitsu ..... D6/479
- D477,292 S \* 7/2003 Inoue et al. .... D14/129
- D483,966 S \* 12/2003 Forlenza et al. .... D6/474
- D485,539 S \* 1/2004 Goto et al. .... D14/129

\* cited by examiner

*Primary Examiner*—Cathron Brooks

(74) *Attorney, Agent, or Firm*—Townsend and Townsend and Crew LLP

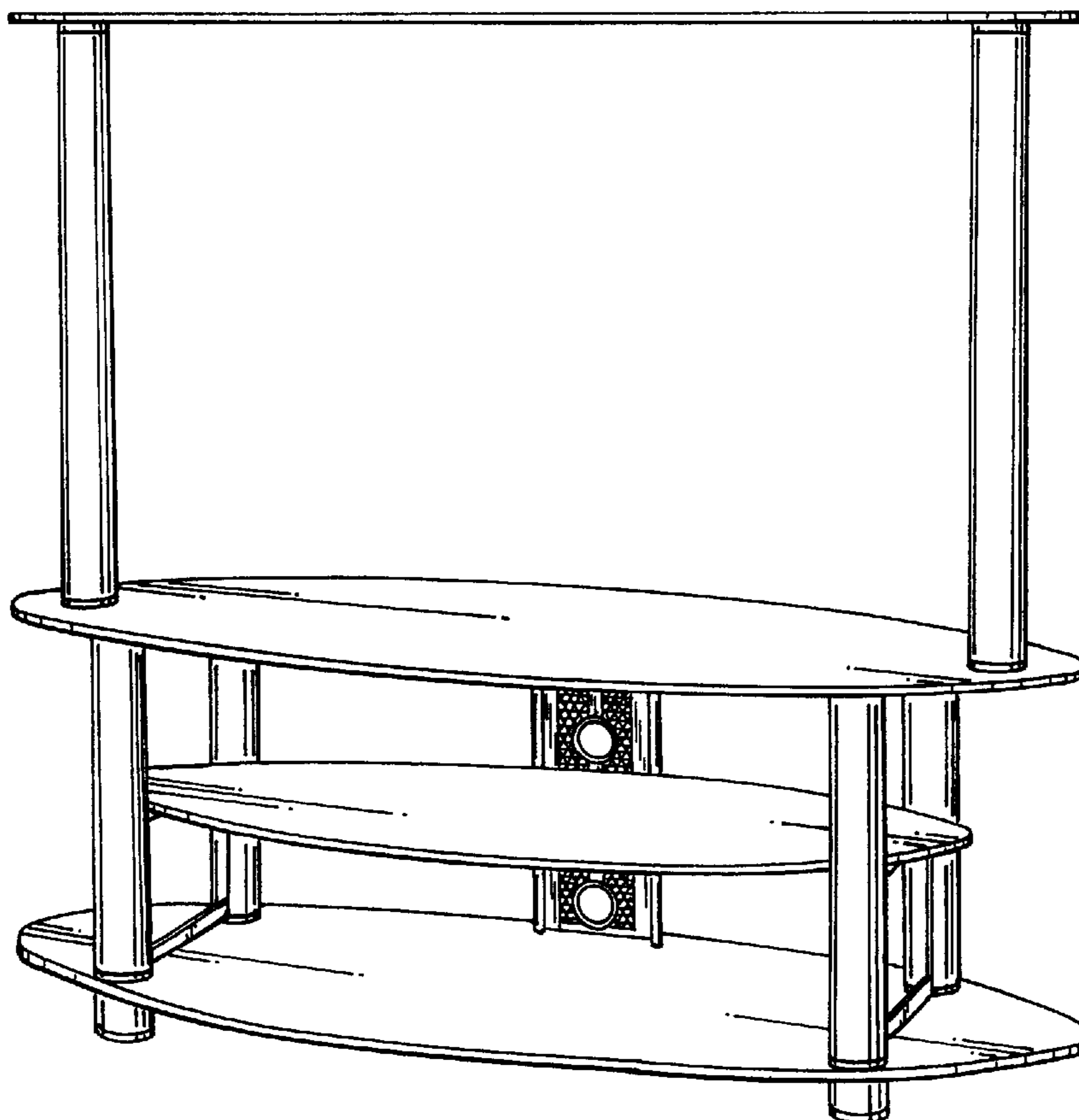
(57) **CLAIM**

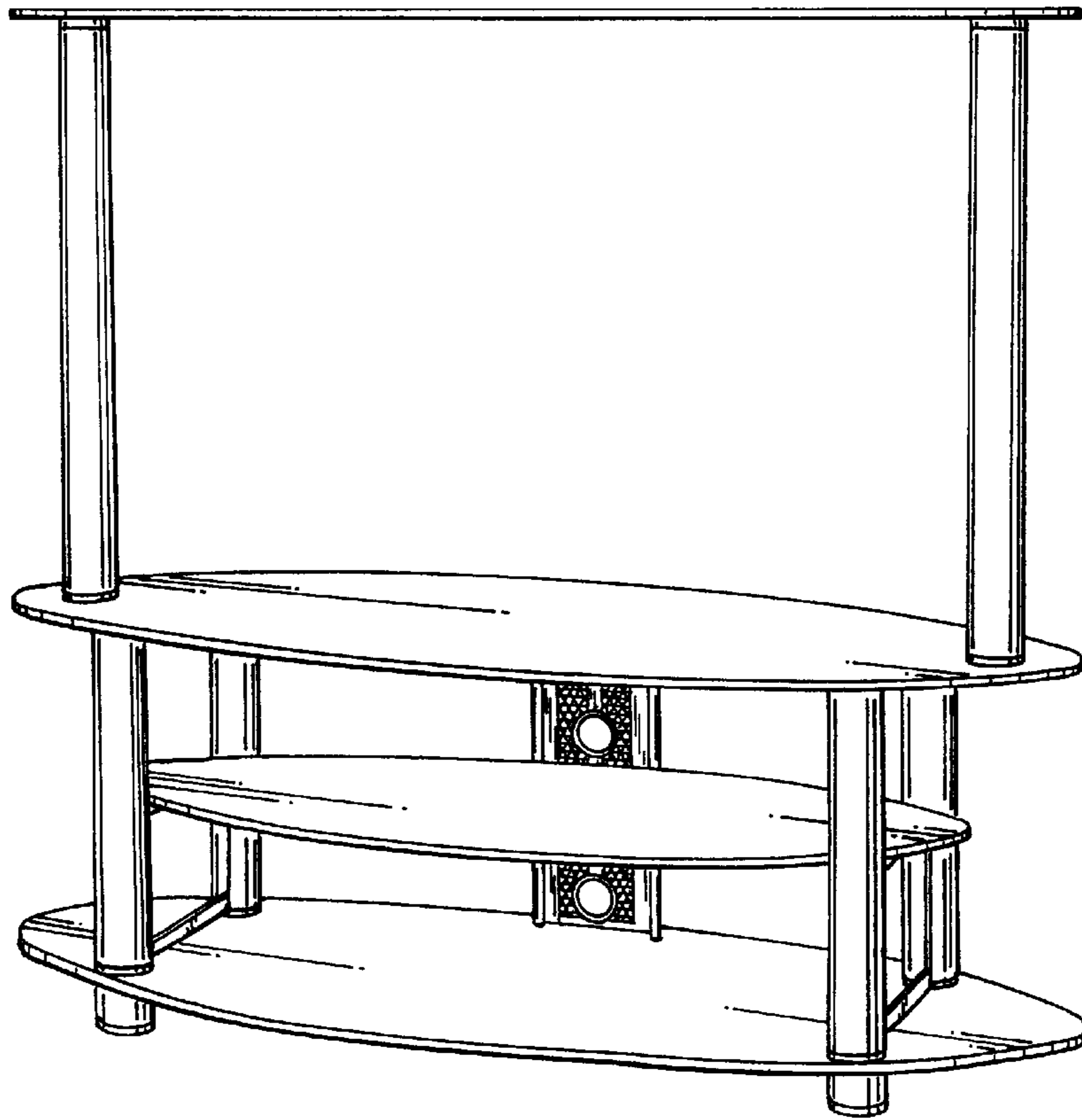
The ornamental design for an audio-video storage unit, as shown and described.

**DESCRIPTION**

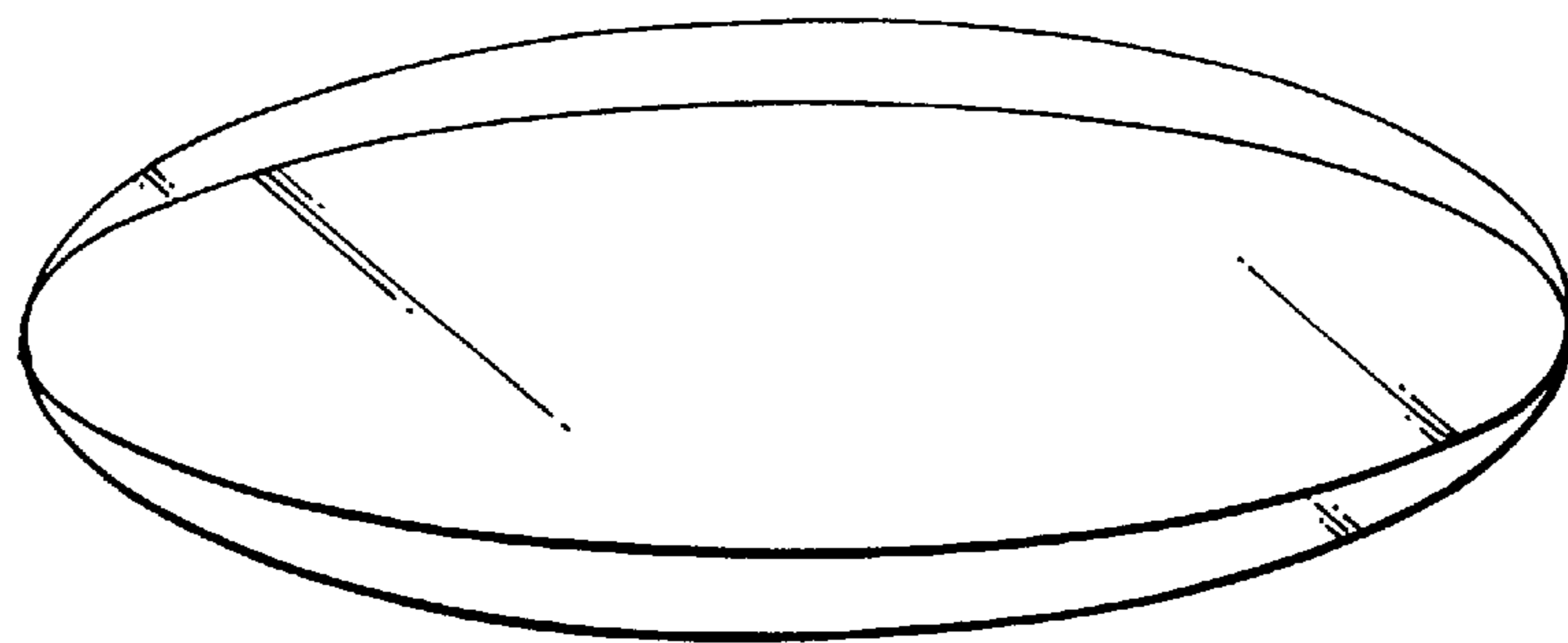
FIG. 1 is a perspective view of an audio-video storage unit showing my new design;  
 FIG. 2 is a top plan view thereof;  
 FIG. 3 is a front elevational view thereof;  
 FIG. 4 is a right side elevational view thereof;  
 FIG. 5 is a left side elevational view thereof;  
 FIG. 6 is a rear elevational view thereof; and,  
 FIG. 7 is a bottom plan view thereof.

**1 Claim, 3 Drawing Sheets**

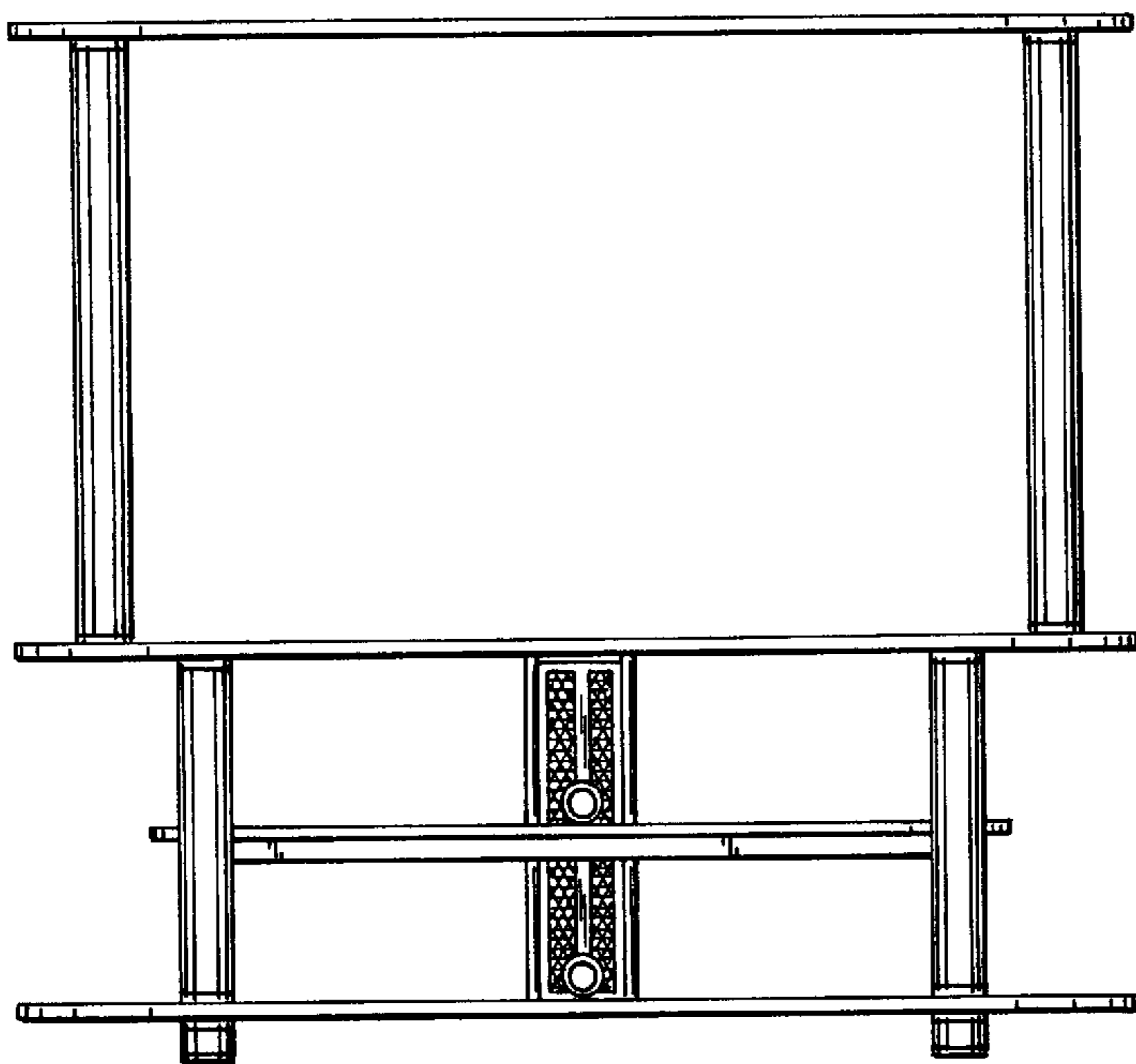




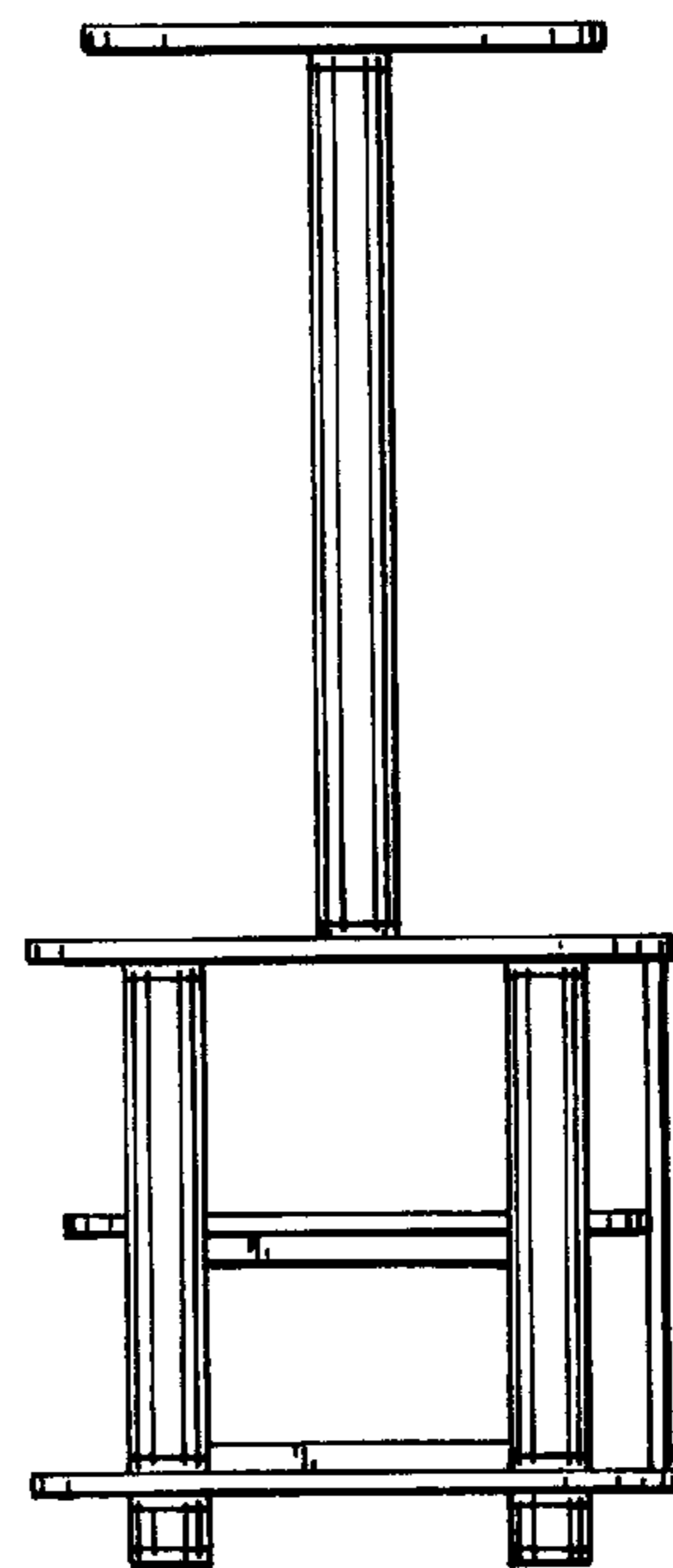
*FIG. 1*



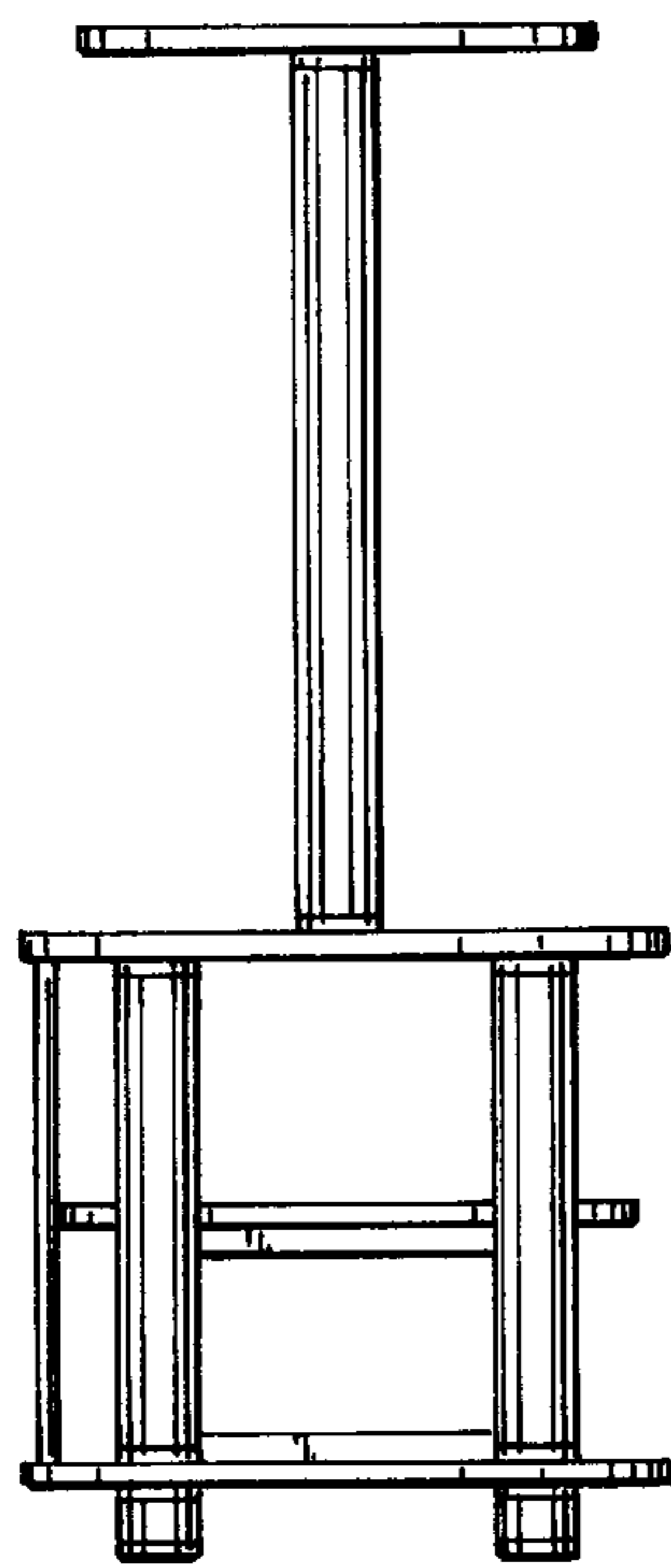
*FIG. 2*



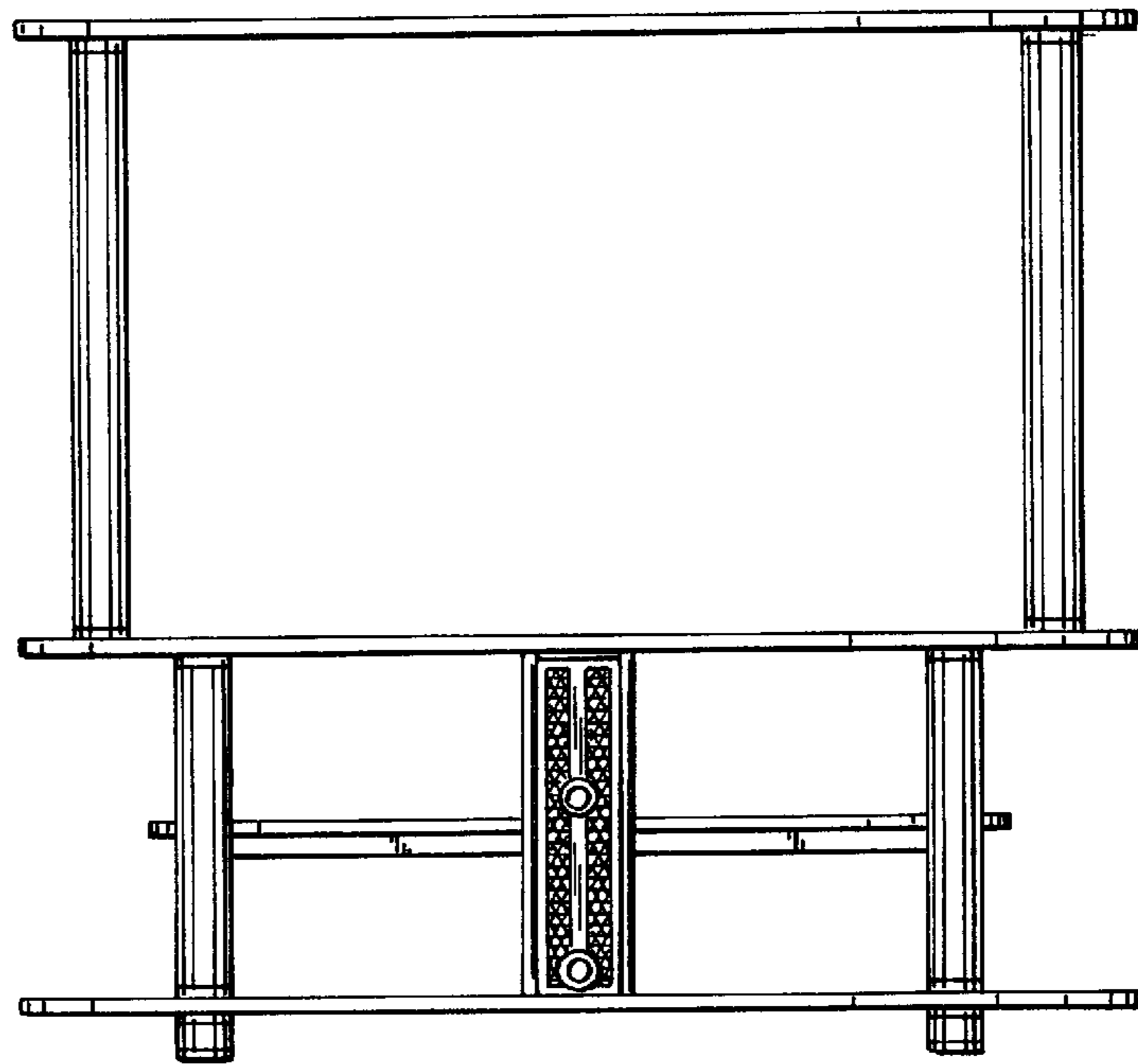
*FIG. 3*



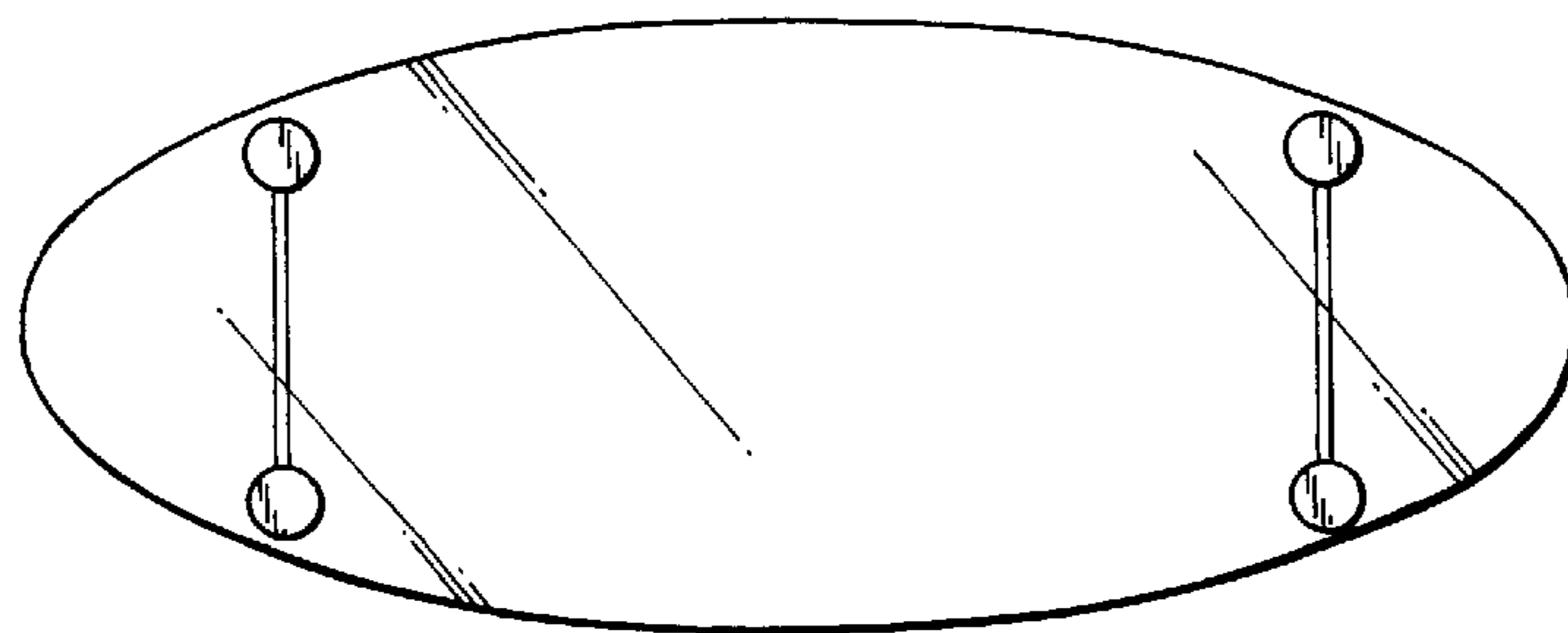
*FIG. 4*



**FIG. 5**



**FIG. 6**



**FIG. 7**