



US00D508799S

(12) **United States Design Patent**
Von der Burg et al.

(10) **Patent No.: US D508,799 S**

(45) **Date of Patent: ** *Aug. 30, 2005**

(54) **STORAGE AND DISPLAY CONTAINER**

(75) Inventors: **Bruno Von der Burg**, Hamburg (DE);
Wolfgang Brinkmann, Nusse (DE)

(73) Assignee: **Werbe-Technik Bruno Von der Burg**,
Hamburg-Barsbüttel (DE)

(*) Notice: This patent is subject to a terminal dis-
claimer.

(**) Term: **14 Years**

(21) Appl. No.: **29/149,536**

(22) Filed: **Oct. 11, 2001**

(30) **Foreign Application Priority Data**

Apr. 14, 2001 (DE) 4 01 03 774

(51) **LOC (8) Cl.** **06-04**

(52) **U.S. Cl.** **D6/470**

(58) **Field of Search** D6/396, 449, 466,
D6/469, 470, 471; 312/114, 116, 137, 204;
211/13.1, 69, 69.1, 74, 85.18, 85.26

(56) **References Cited**

U.S. PATENT DOCUMENTS

4,456,315 A * 6/1984 Markley et al. 312/137

D283,861 S * 5/1986 Cantolino D6/471
D286,122 S * 10/1986 Golias D6/559
D299,091 S * 12/1988 Kruzel D6/449
D314,876 S * 2/1991 Suttles D6/469
D327,591 S * 7/1992 Gogan D6/470
D384,221 S * 9/1997 Roeder D6/396
D405,986 S * 2/1999 Hoyle D6/449

* cited by examiner

Primary Examiner—Cathron C. Brooks

(74) *Attorney, Agent, or Firm*—Collard & Roe, P.C.

(57) **CLAIM**

The ornamental design for a storage and display container,
as shown and described.

DESCRIPTION

FIG. 1 shows a top perspective view of our design for a
storage and display container;

FIG. 2 shows a bottom perspective view thereof;

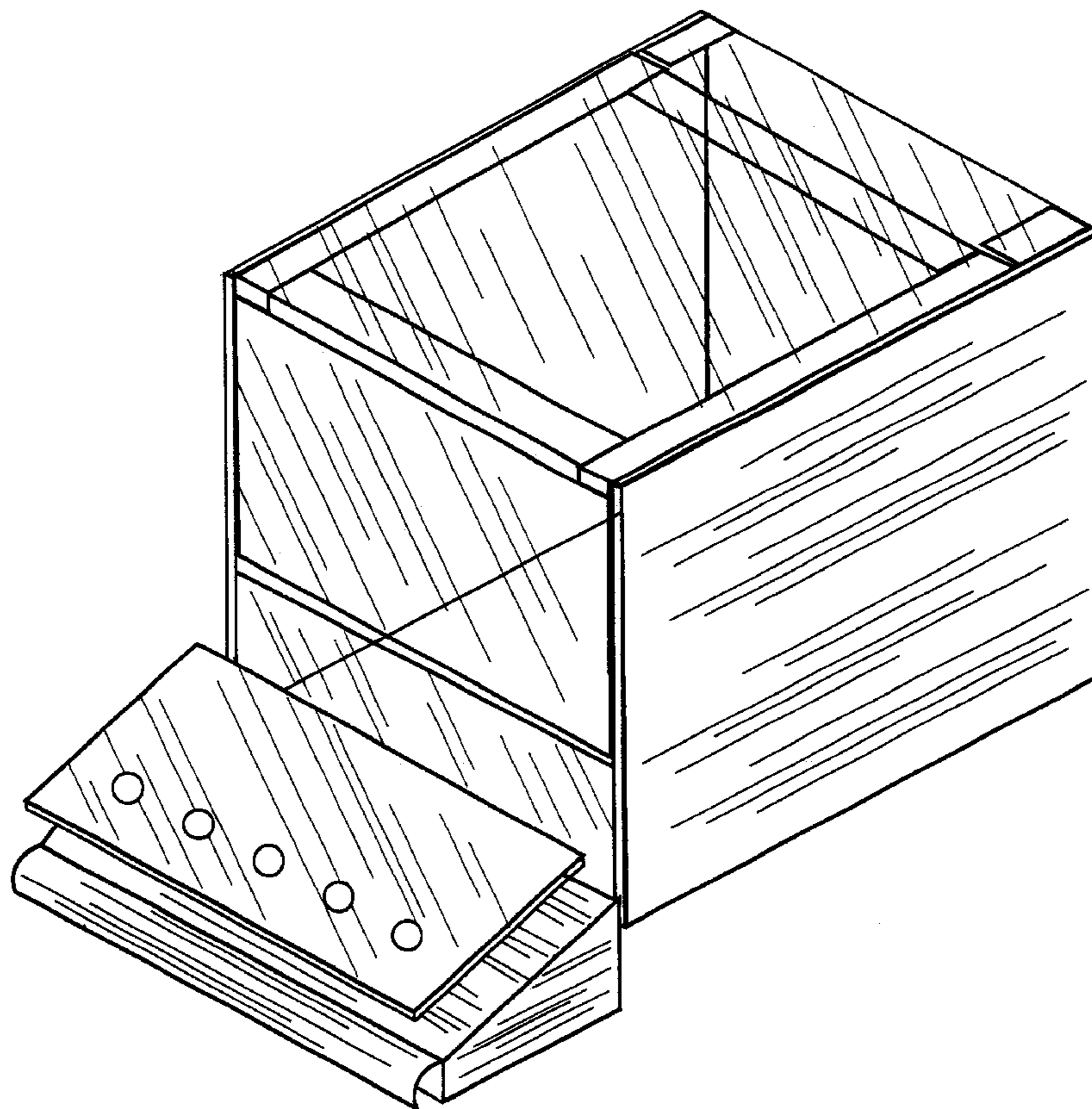
FIG. 3 shows a top view thereof;

FIG. 4 shows a front view thereof;

FIG. 5 shows a side view thereof, with the opposite side
view being identical; and,

FIG. 6 shows a rear view thereof.

1 Claim, 6 Drawing Sheets



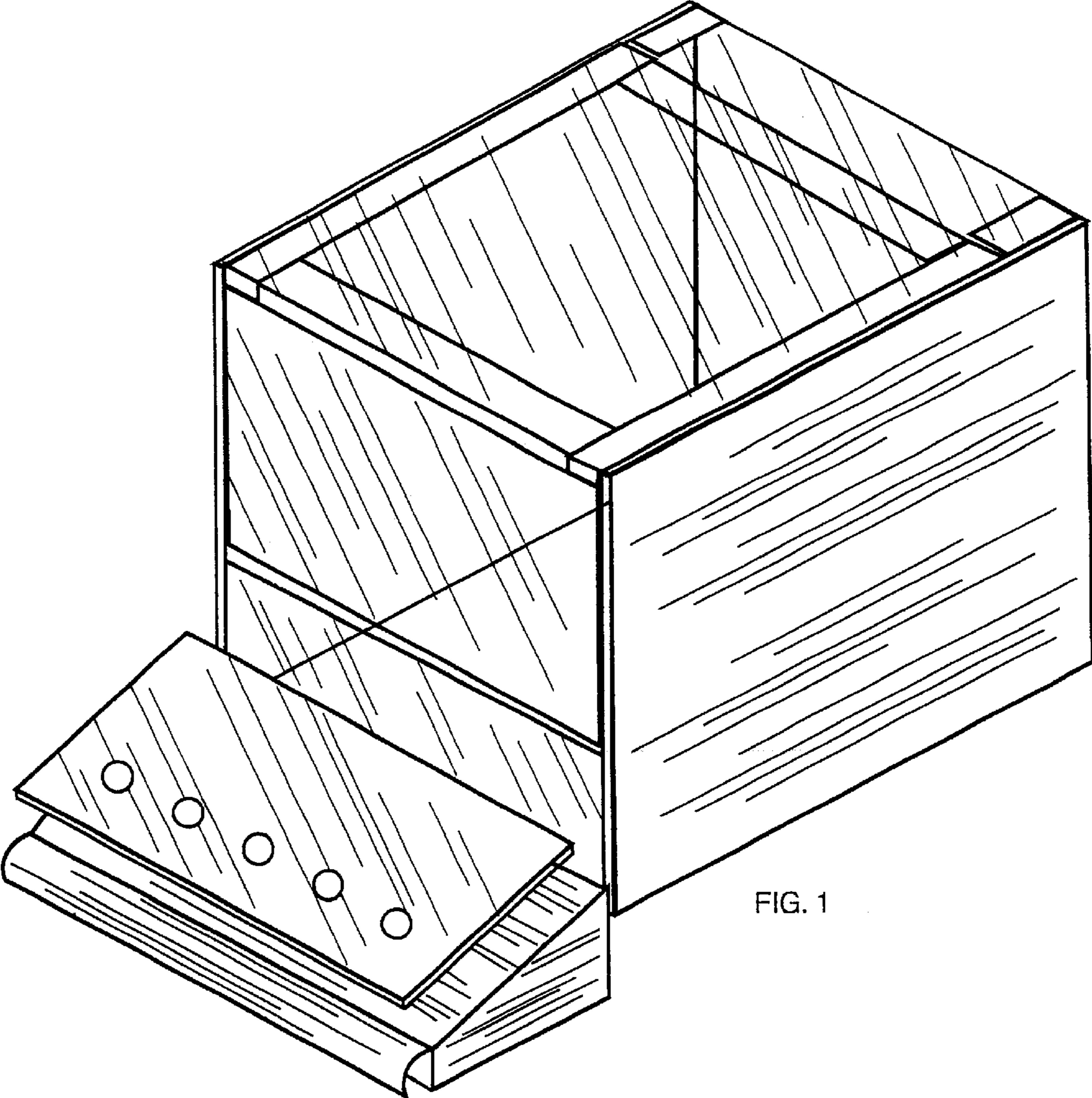
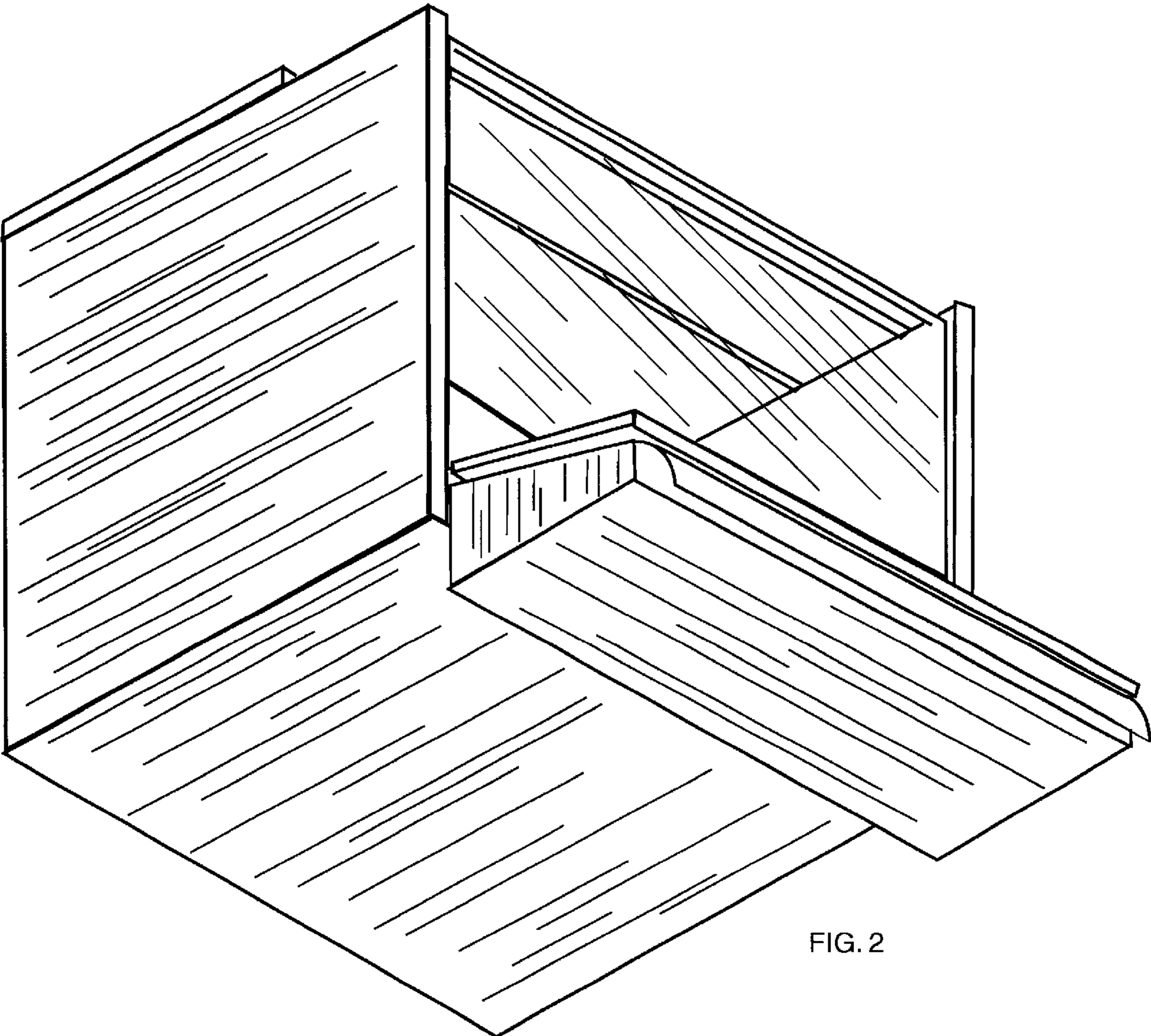


FIG. 1



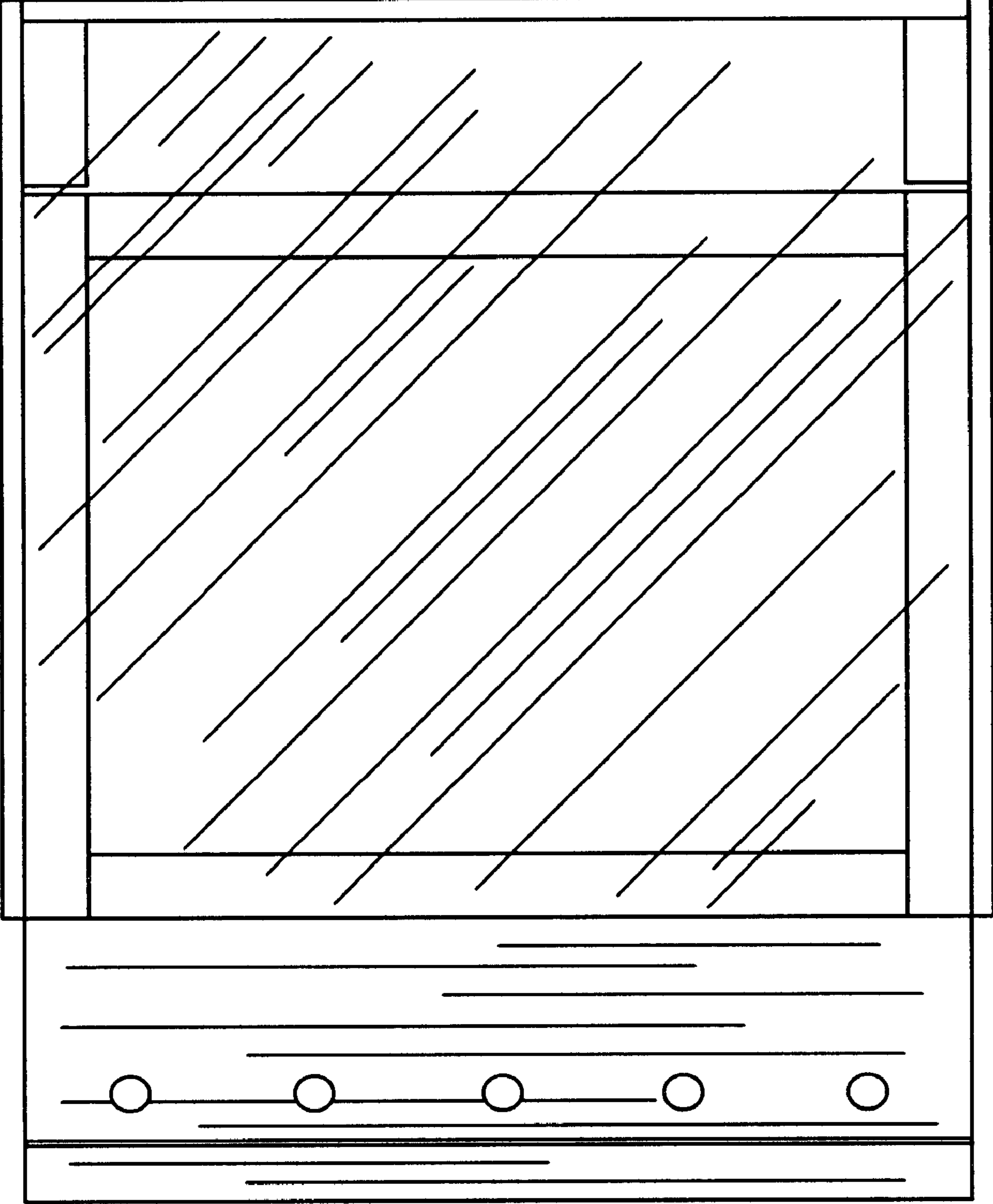


FIG.3

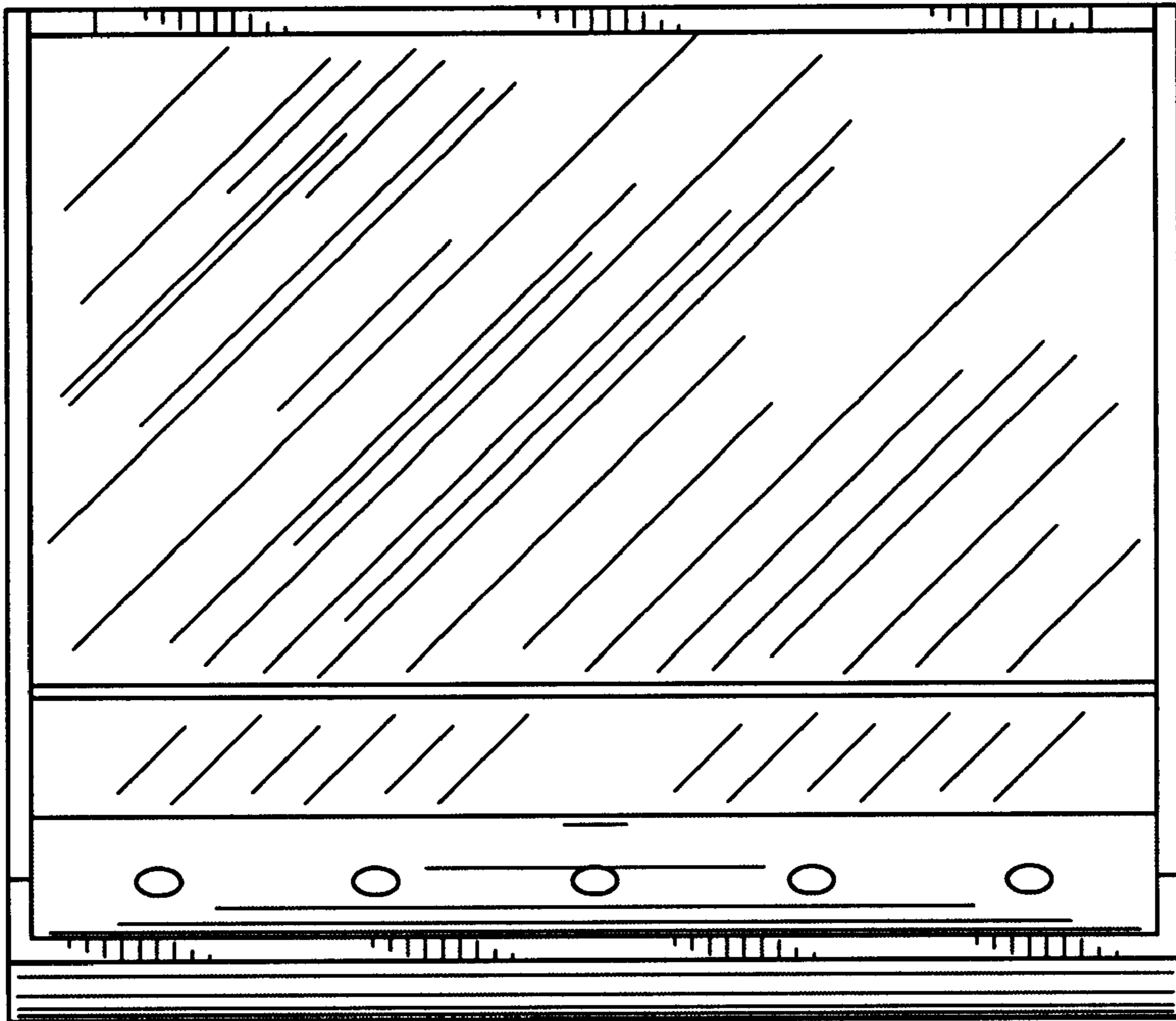


FIG. 4

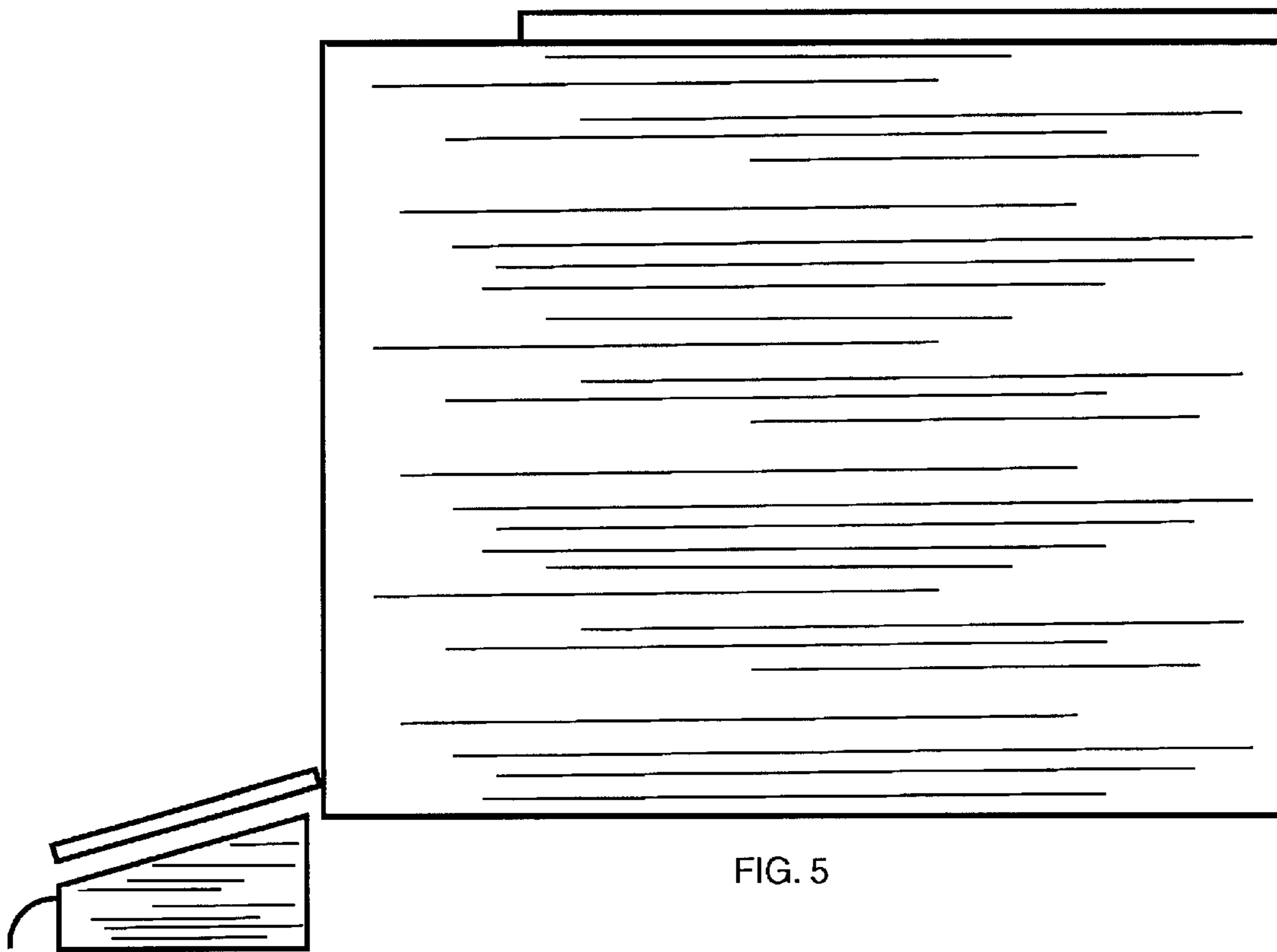


FIG. 5

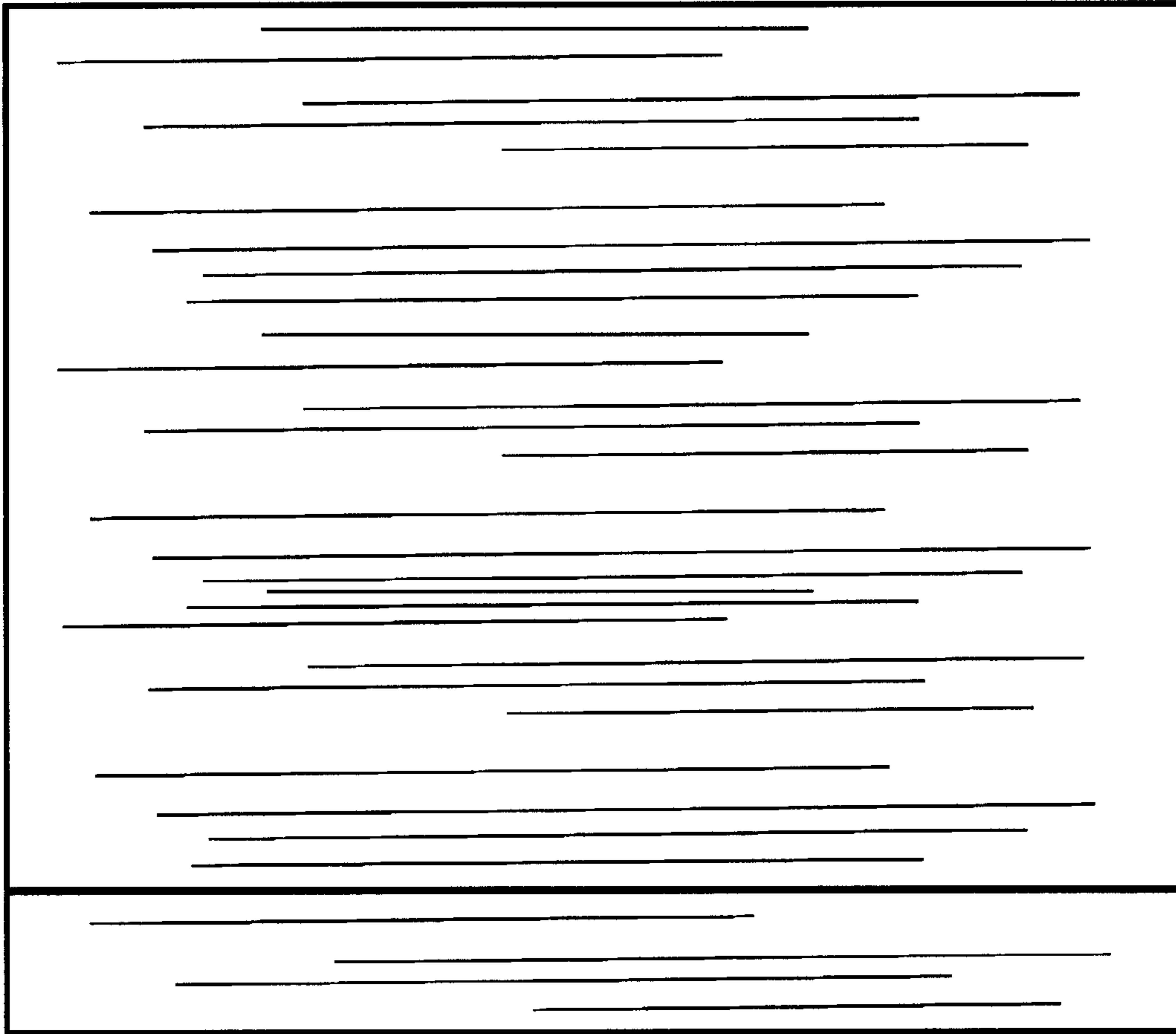


FIG.6