

US00D508798S

(12) **United States Design Patent**
Chen et al.

(10) **Patent No.:** **US D508,798 S**

(45) **Date of Patent:** **** Aug. 30, 2005**

(54) **KARAOKE STAND**

5,944,896 A * 8/1999 Landesman et al. 118/500
D431,736 S * 10/2000 O'Brien et al. D6/468
6,139,164 A * 10/2000 Bolta et al. 362/97

(75) Inventors: **Frank Chen**, Taipei (TW); **James Lo Duca**, Brookfield, WI (US)

* cited by examiner

(73) Assignee: **LoDuca Bros., Inc.**, New Berlin, WI (US)

Primary Examiner—Janice E. Seeger
Assistant Examiner—Sydney R. Buffalow

(**) Term: **14 Years**

(74) *Attorney, Agent, or Firm*—Michael Best & Friedrich,LLP

(21) Appl. No.: **29/183,128**

(57) **CLAIM**

(22) Filed: **Jun. 6, 2003**

The ornamental design for a karaoke stand, as shown and described.

(51) **LOC (8) Cl.** **06-04**

(52) **U.S. Cl.** **D6/462; D6/466; D6/630**

(58) **Field of Search** D6/408, 411, 459,
D6/450, 456, 462, 467, 468, 469, 466,
465, 479, 475, 476, 510, 511, 517, 627,
629, 630, 310-312; D14/251, 253; 211/13.1,
85.1, 85.2, 85.6, 26.1, 39-36, 40, 41.1,
41.12, 51, 74, 59.3, 85, 85.18, 85.23, 87.01,
90.01, 164, 199, 119.003

DESCRIPTION

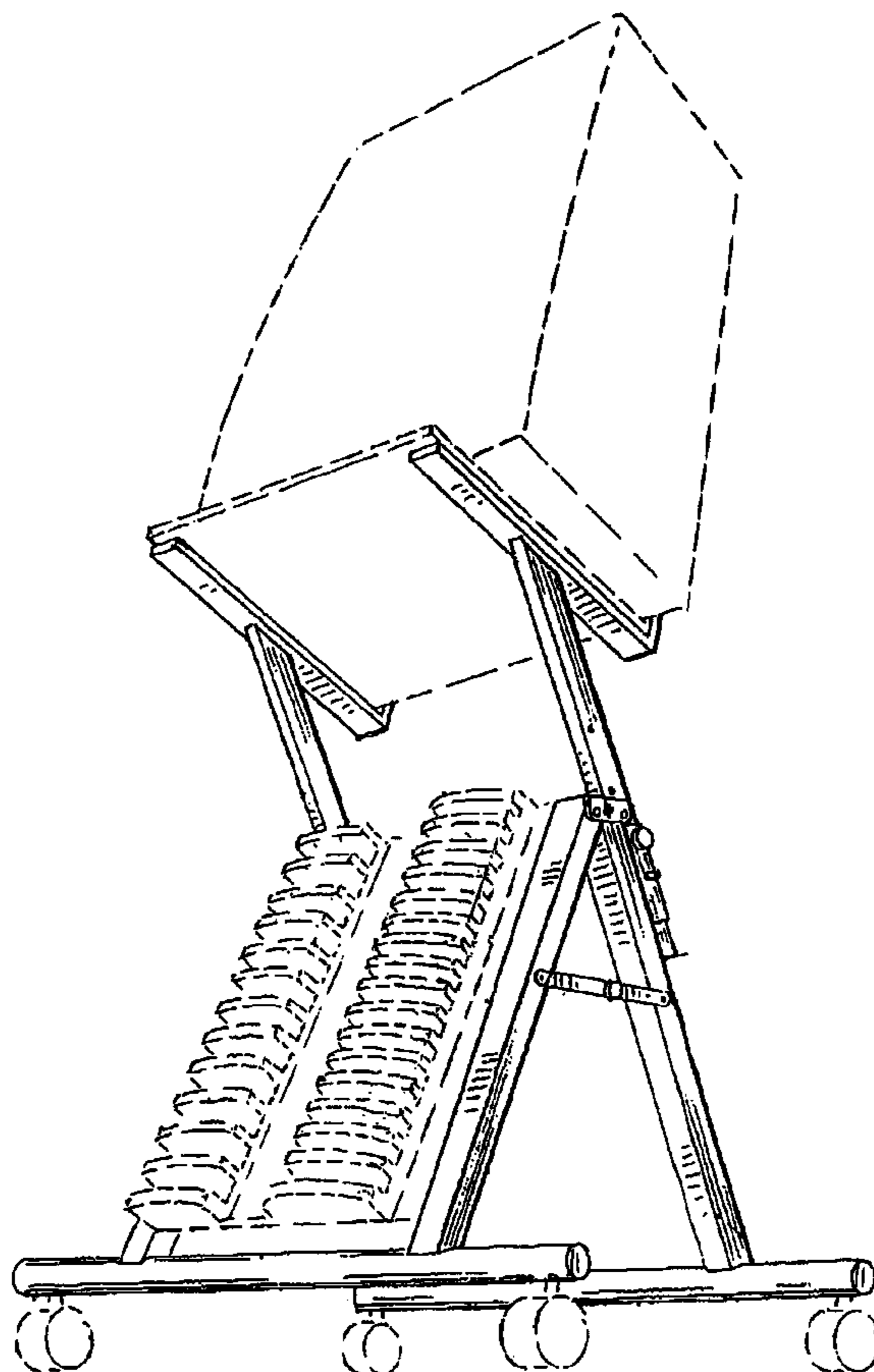
FIG. 1 is a perspective view of a karaoke stand embodying the present invention;
FIG. 2 is a front view of the karaoke stand of FIG. 1;
FIG. 3 is a left side view of the karaoke stand of FIG. 1, the right side view being a mirror image thereof;
FIG. 4 is a top view of the karaoke stand of FIG. 1; and,
FIG. 5 is a rear view of the karaoke stand of FIG. 1.
The broken line showing of the environment is for illustrative purposes only and forms no part of the claimed design.
The bottom view forms no part of the claimed design.

(56) **References Cited**

U.S. PATENT DOCUMENTS

5,308,035 A * 5/1994 Ross 248/454
5,725,192 A * 3/1998 Cloninger 248/458

1 Claim, 4 Drawing Sheets



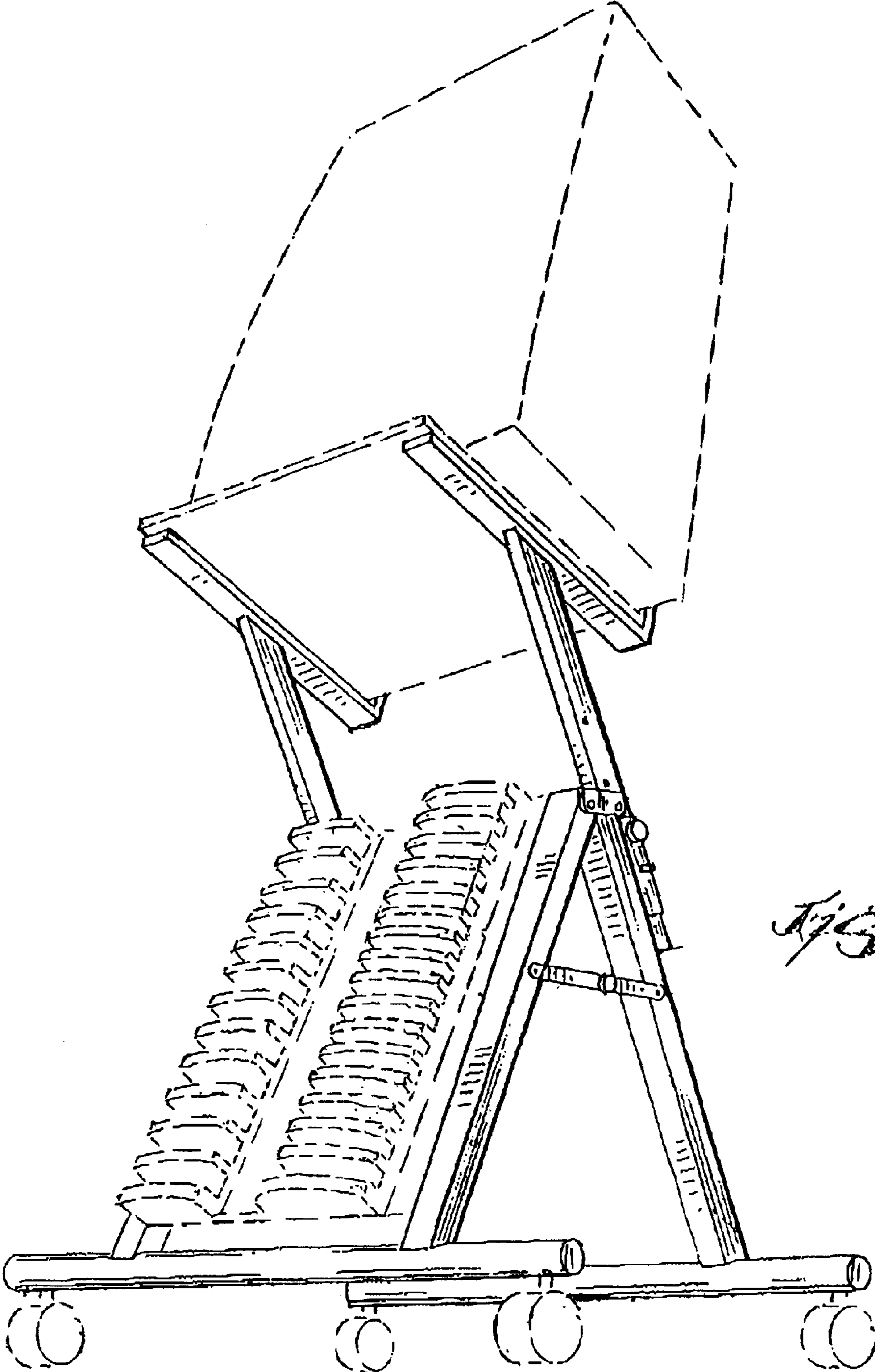
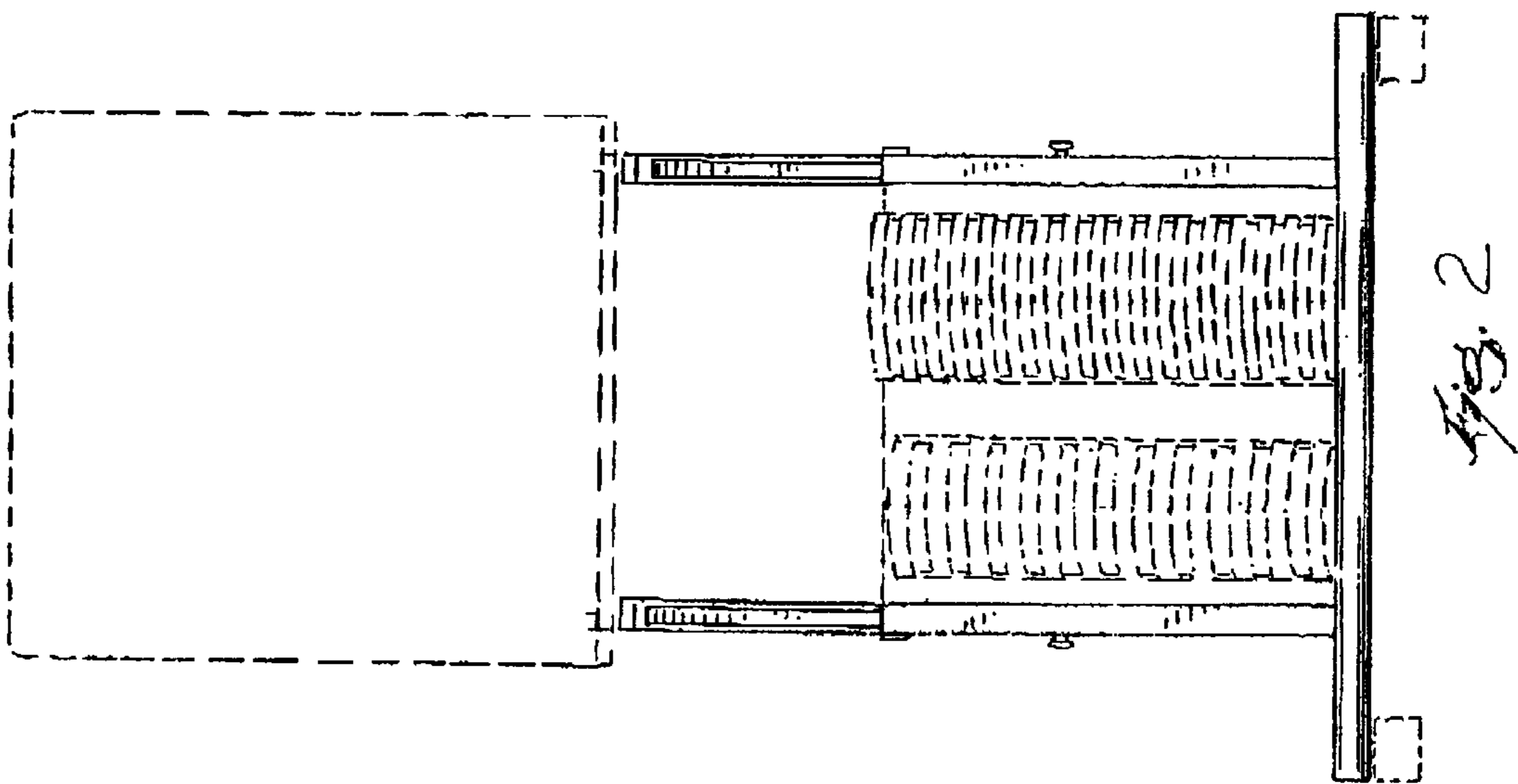
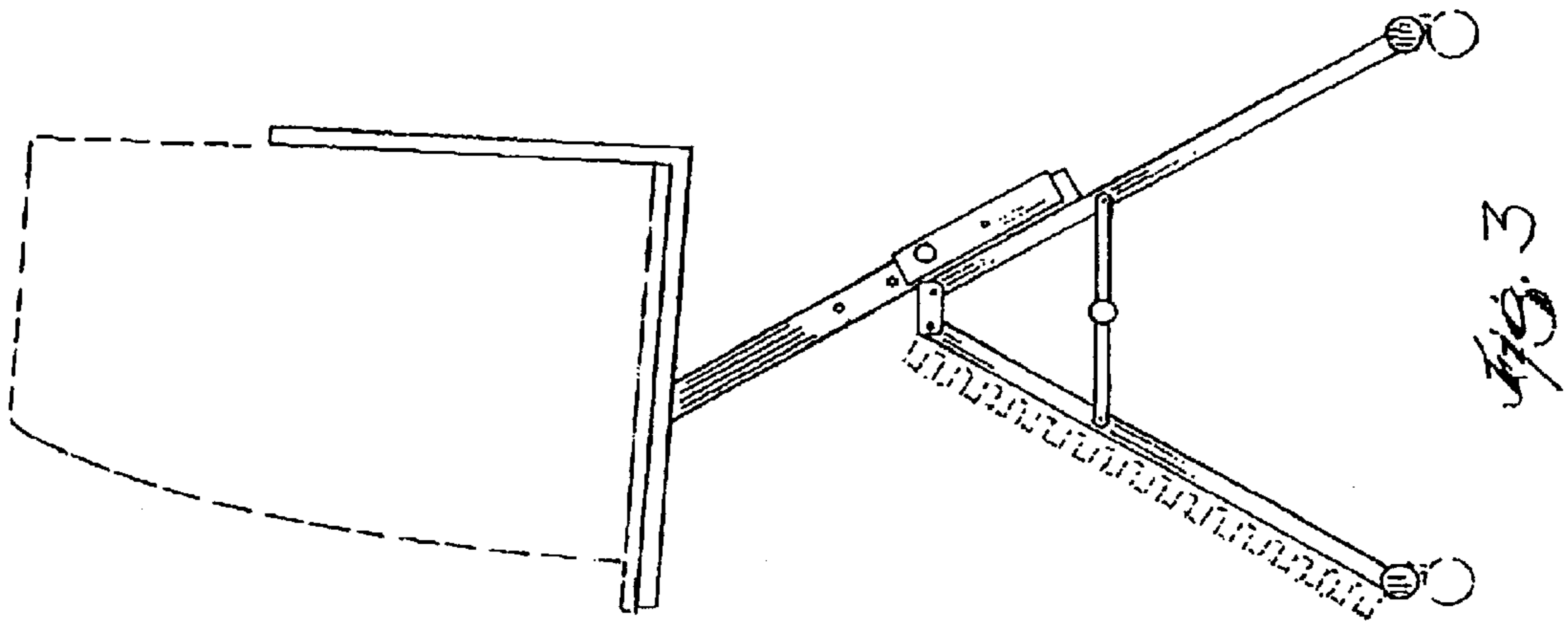


Fig. 1



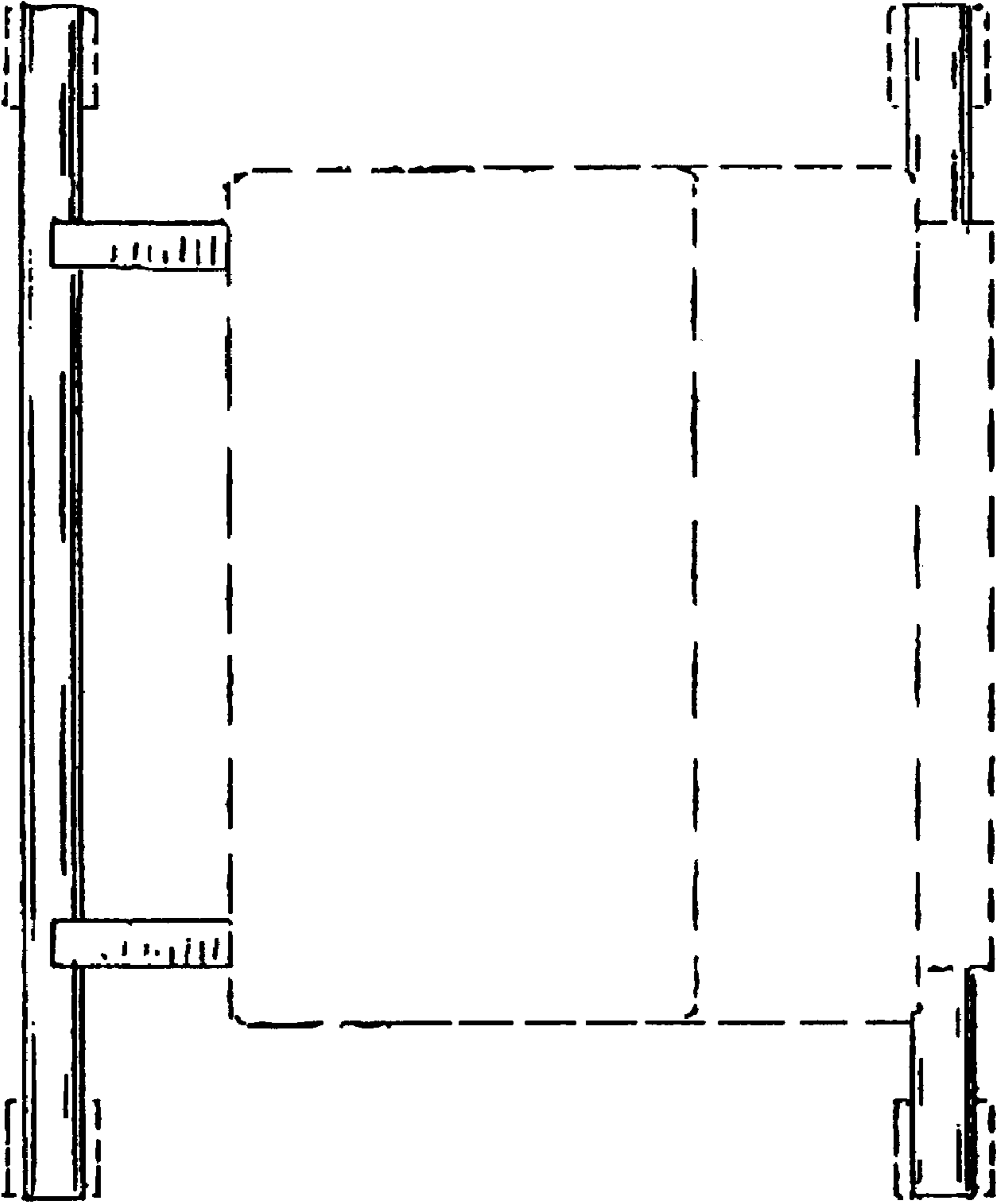


FIG. 4

Fig. 5

