



US00D508797S

(12) **United States Design Patent**  
**Craig**

(10) **Patent No.: US D508,797 S**

(45) **Date of Patent: \*\* Aug. 30, 2005**

(54) **DISPLAY UNIT**

(75) **Inventor: David Winston Craig, Auckland (NZ)**

(73) **Assignee: Cadbury Limited, Birmingham (GB)**

(\*\*) **Term: 14 Years**

(21) **Appl. No.: 29/186,257**

(22) **Filed: Jul. 11, 2003**

(51) **LOC (8) Cl. .... 06-04**

(52) **U.S. Cl. .... D6/449**

(58) **Field of Search** ..... D6/408, 411, 459,  
D6/450, 456, 462, 467, 468, 469, 466,  
465, 479, 475, 476, 510, 511, 517, 627,  
629, 630; D14/251, 253; 211/13.1, 85.1,  
85.2, 85.6, 26.1, 39-36, 40, 41.1, 41.12,  
51, 74, 59.3, 85, 85.18, 85.23, 87.01, 90.01,  
164, 199, 119.003

(56) **References Cited**

**U.S. PATENT DOCUMENTS**

D156,956 S \* 1/1950 Hassler ..... D6/475  
4,756,581 A \* 7/1988 Phillips ..... 312/183

5,794,796 A \* 8/1998 Weisburn ..... 211/40  
6,332,546 B1 \* 12/2001 Hunt ..... 211/40  
D478,226 S \* 8/2003 Peyker ..... D6/467

\* cited by examiner

*Primary Examiner*—Janice E. Seeger  
*Assistant Examiner*—Sydney R. Buffalow

(74) *Attorney, Agent, or Firm*—David J. Silvia; Edwards & Angell, LLP

(57) **CLAIM**

The ornamental design for a display unit, as shown and described.

**DESCRIPTION**

FIG. 1 is a perspective view of the display unit according to my new design.

FIG. 2 is a front elevational view thereof.

FIG. 3 is a top plan view thereof.

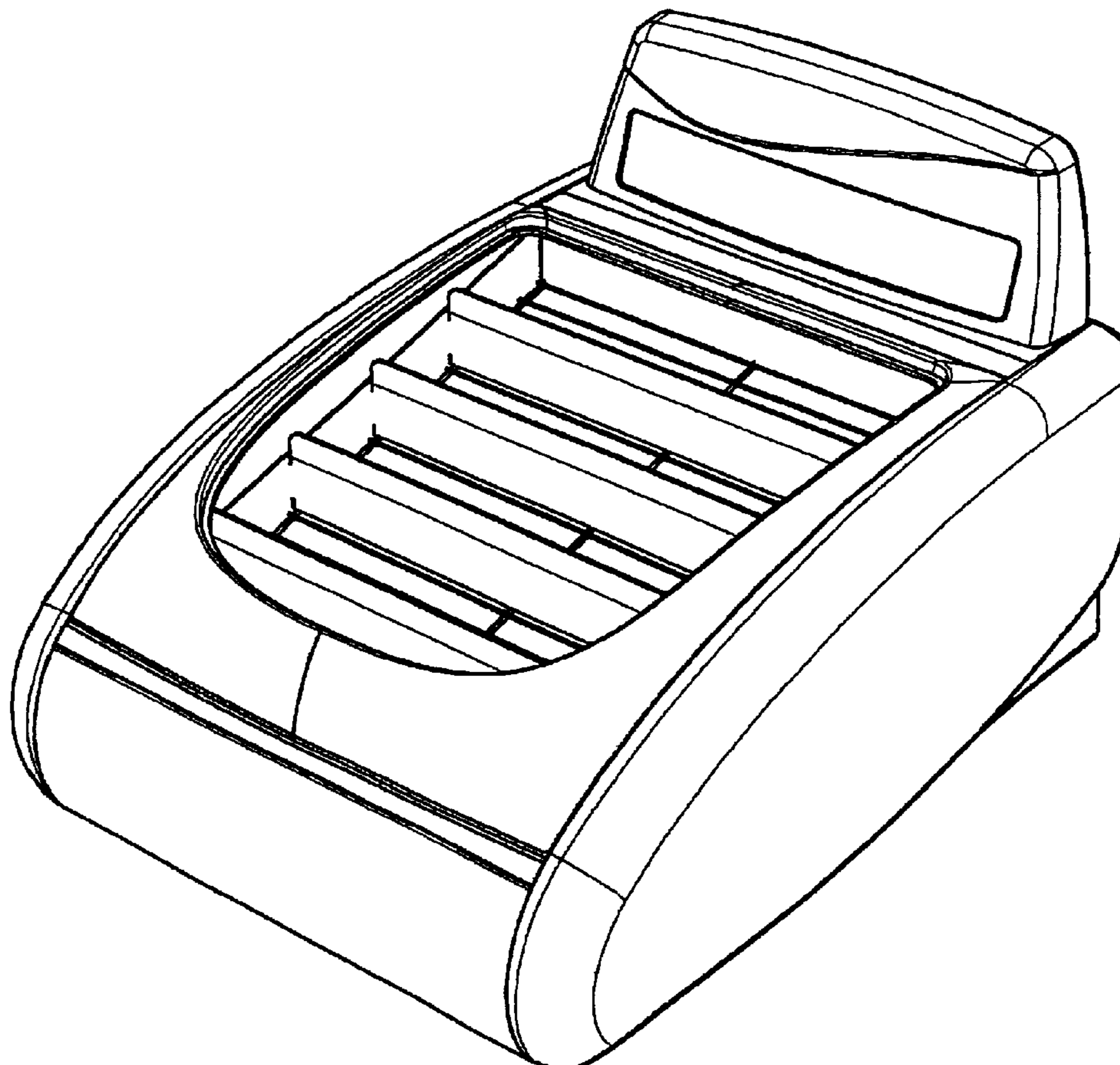
FIG. 4 is a right side elevational view thereof.

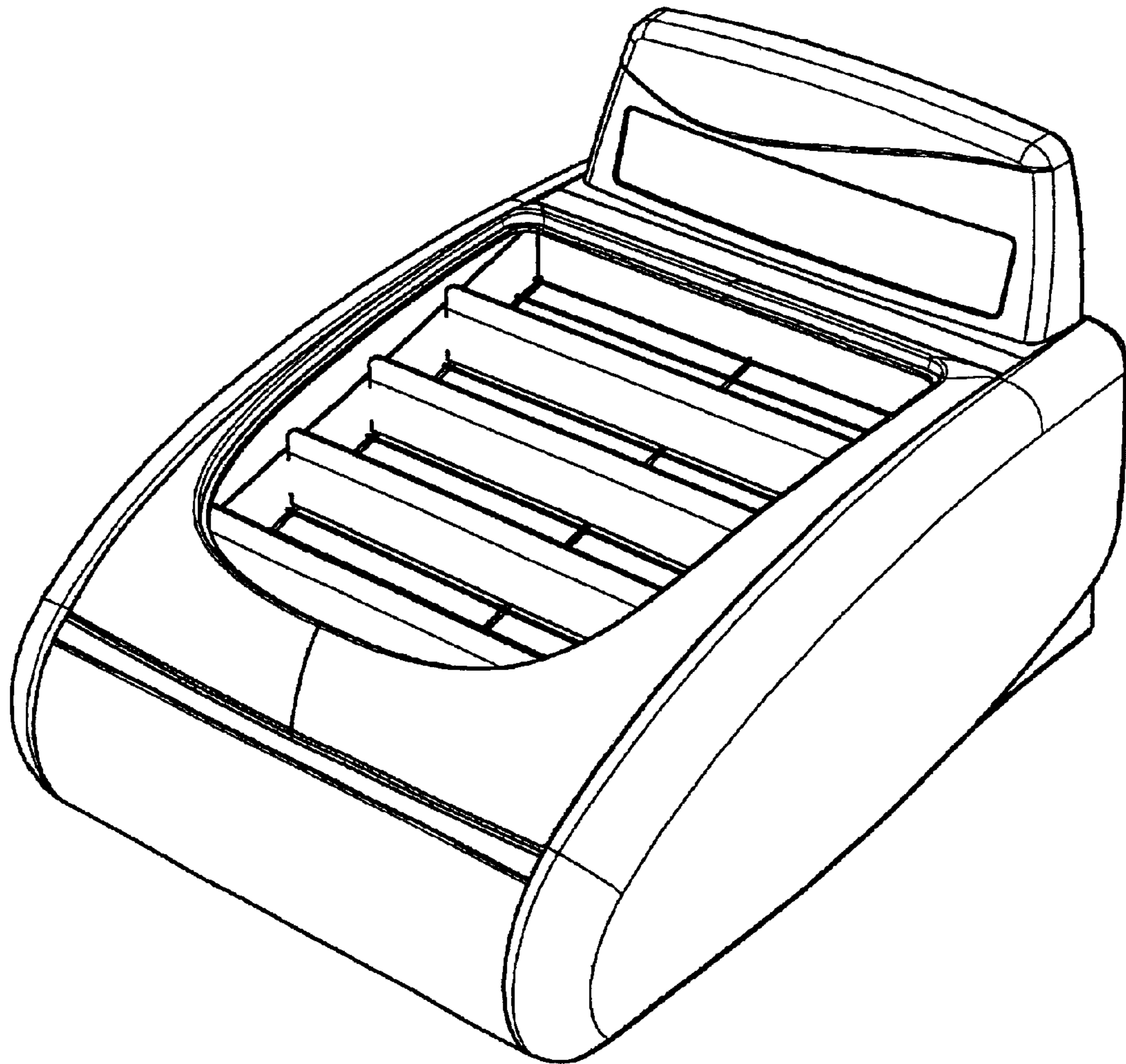
FIG. 5 is a left side elevational view thereof

FIG. 6 is a rear elevational view thereof; and,

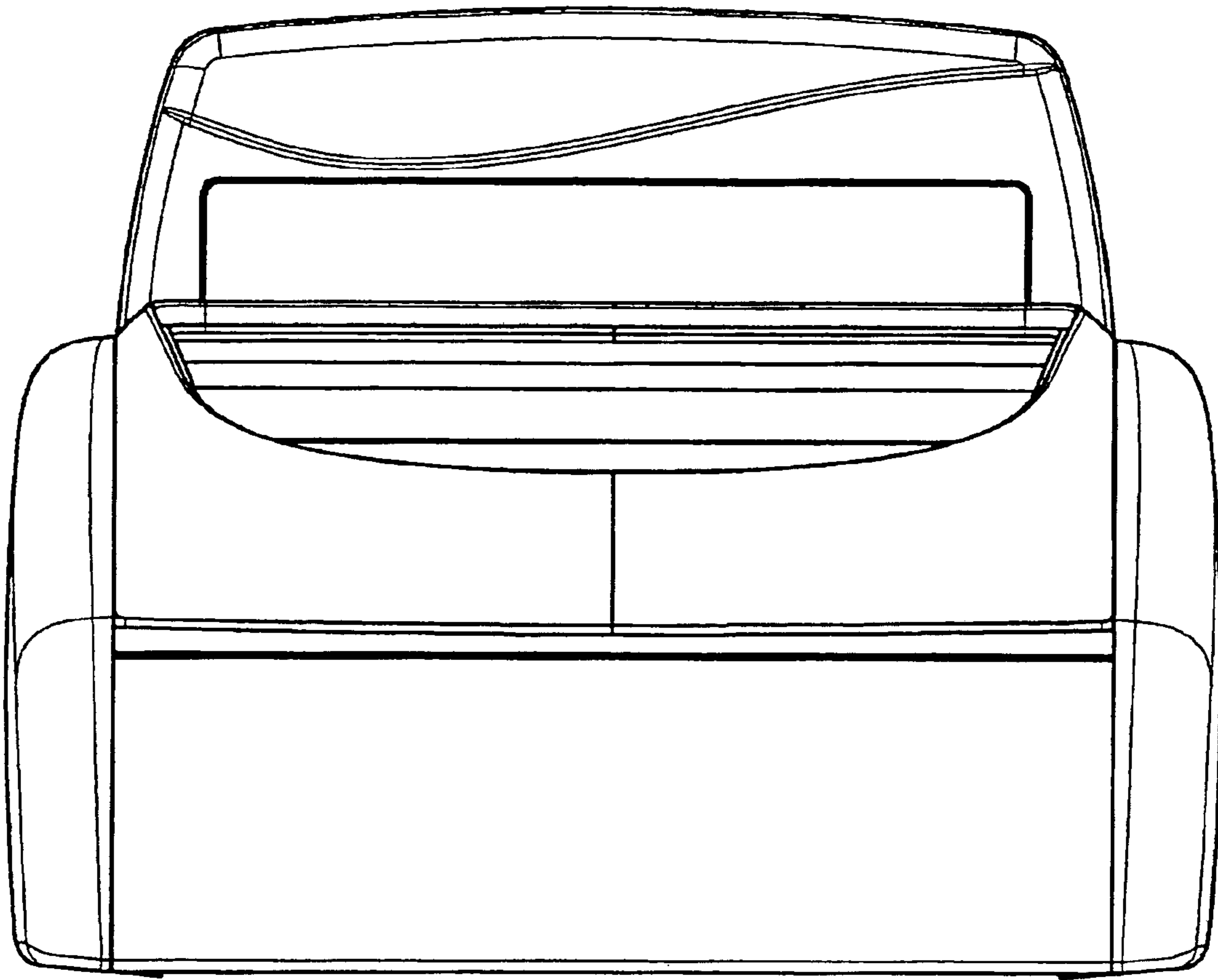
FIG. 7 is a bottom plan view thereof.

**1 Claim, 7 Drawing Sheets**





*Fig. 1*



*Fig. 2*

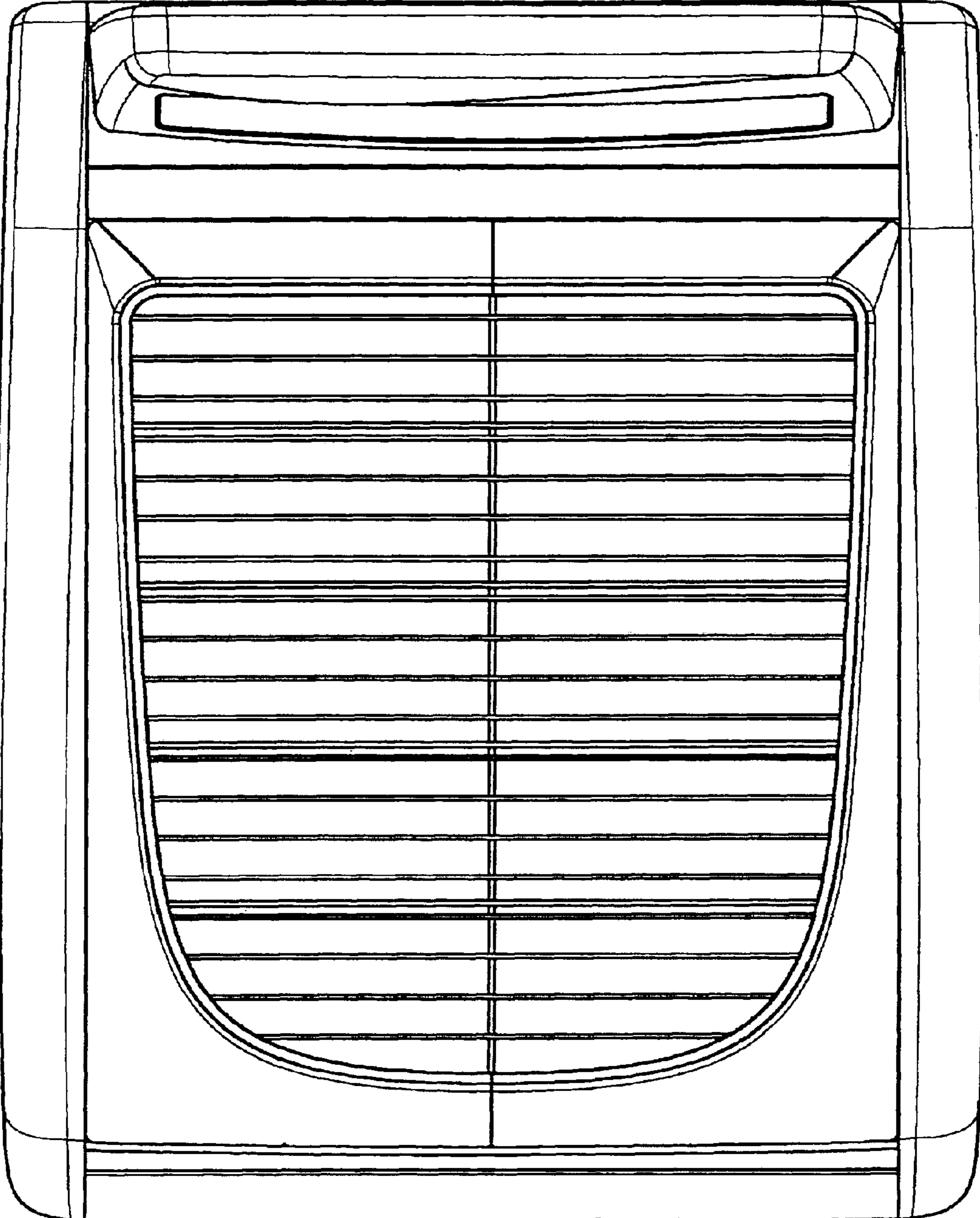
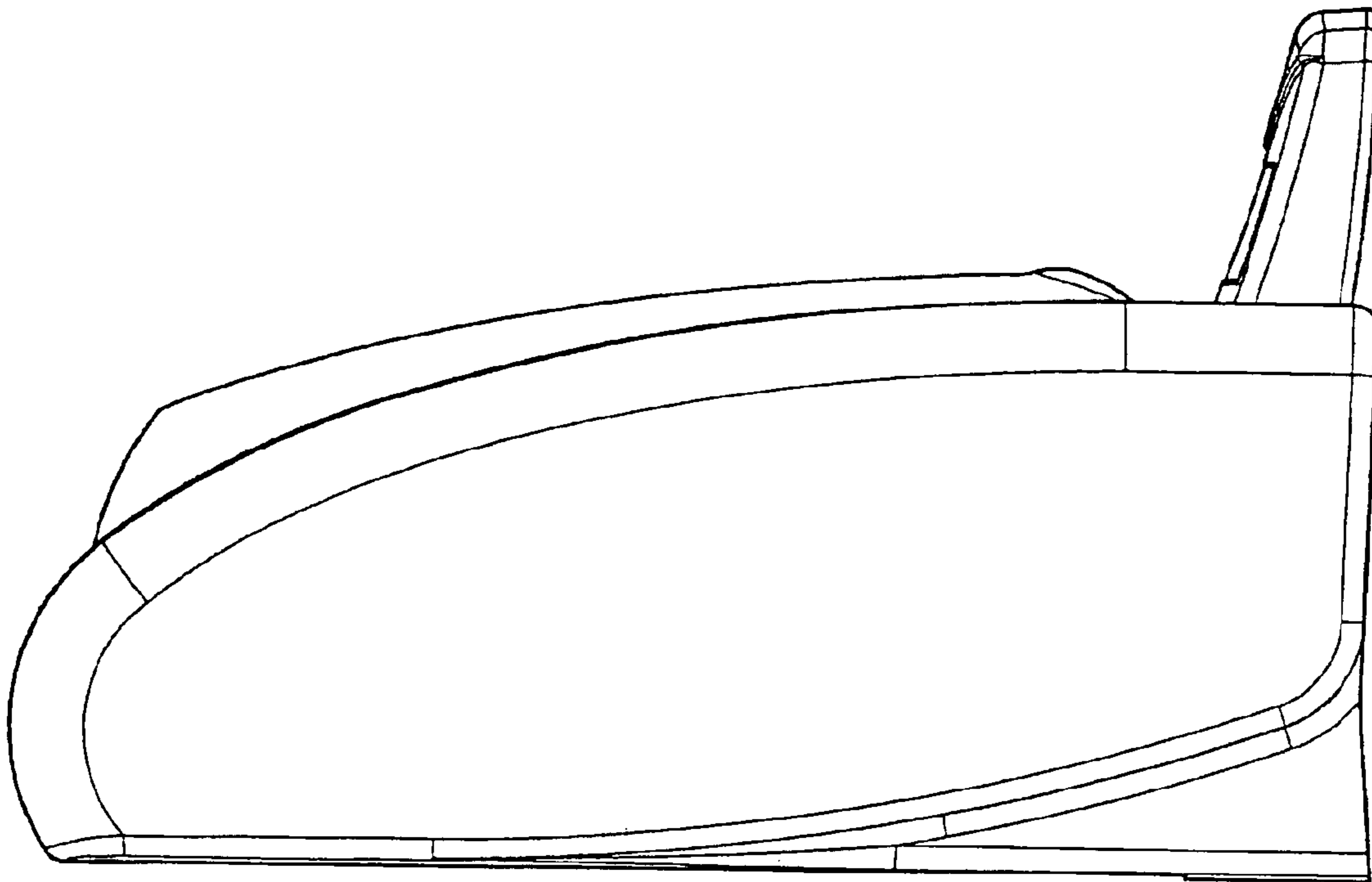
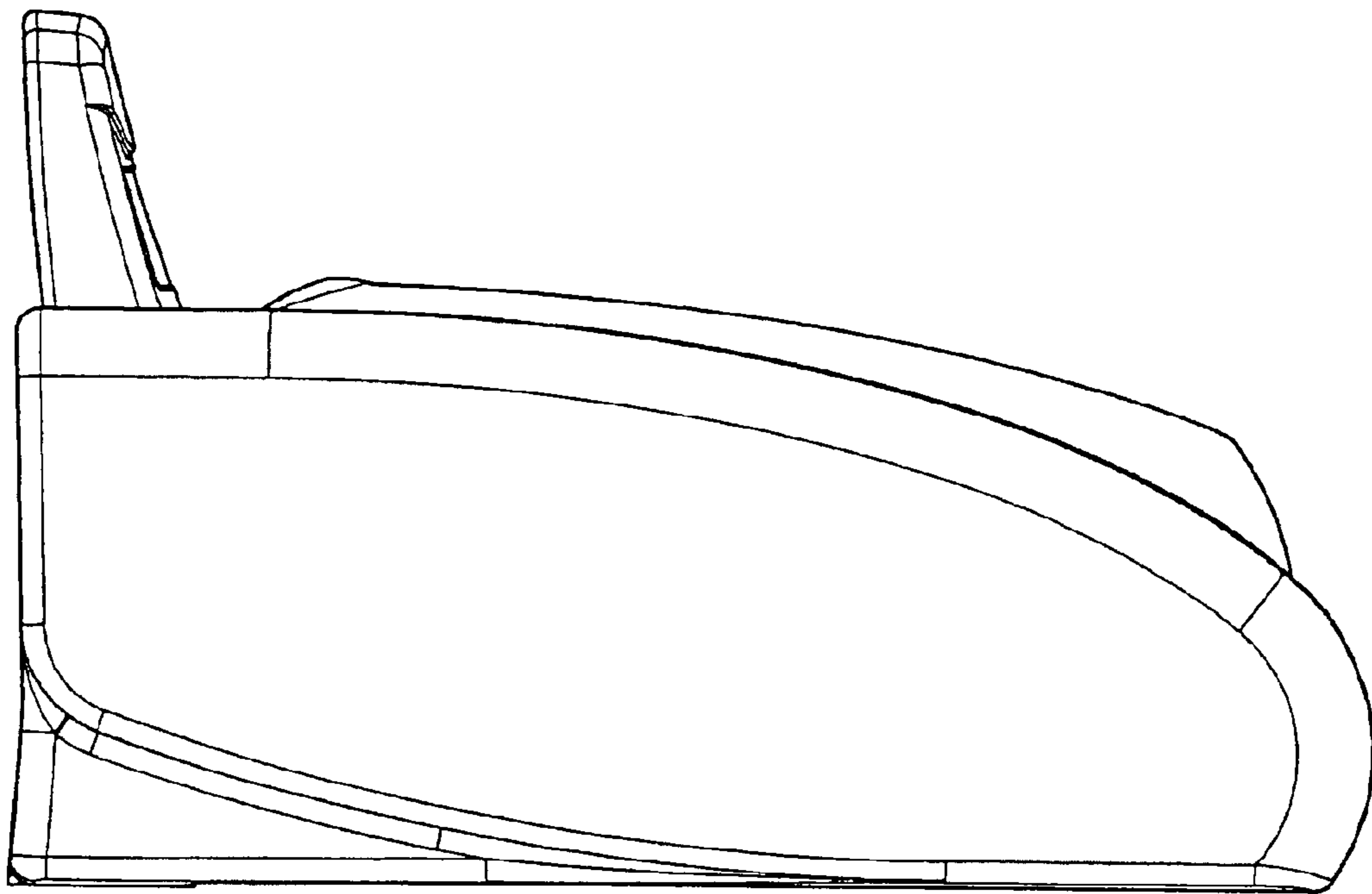


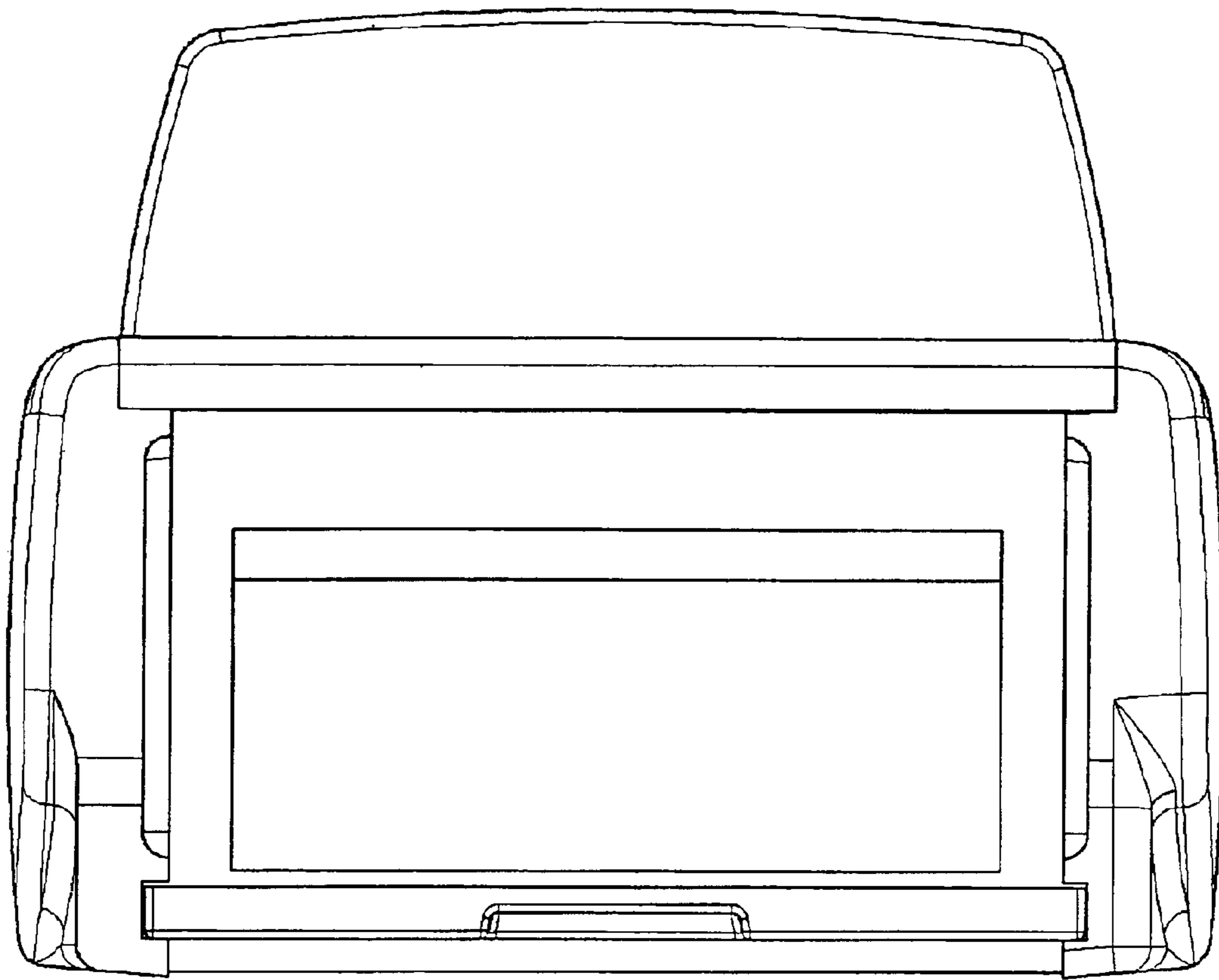
Fig. 3



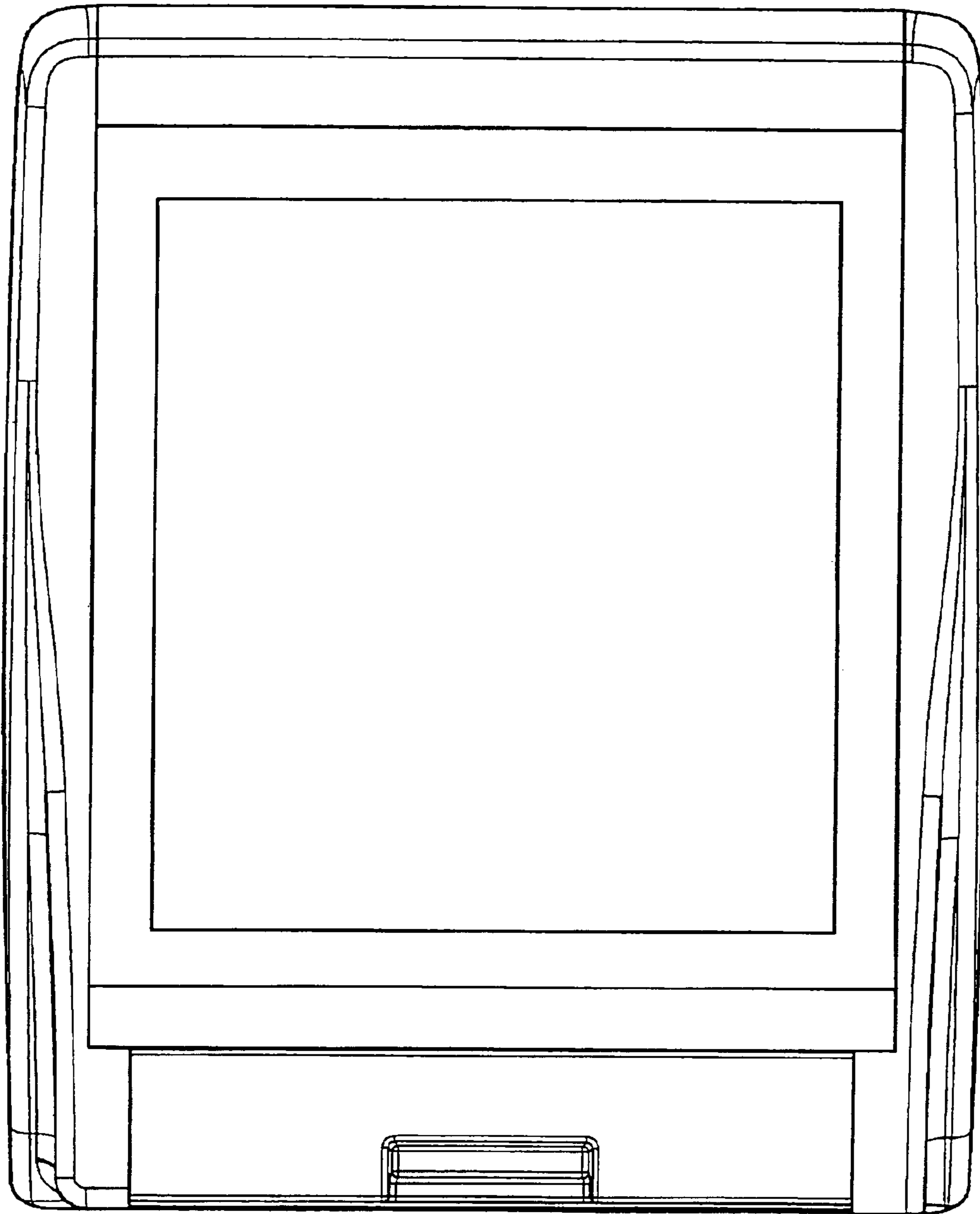
*Fig. 4*



*Fig. 5*



*Fig. 6*



*Fig. 7*