



US00D508792S

(12) **United States Design Patent**
Dorigo

(10) **Patent No.: US D508,792 S**
(45) **Date of Patent: ** Aug. 30, 2005**

(54) **CHAIR**
(75) Inventor: **Fiorenzo Dorigo**, Conegliano (IT)
(73) Assignee: **Sitland SPA**, Nanto (IT)
(**) Term: **14 Years**

(21) Appl. No.: **29/190,405**
(22) Filed: **Sep. 22, 2003**

(30) **Foreign Application Priority Data**
Mar. 24, 2003 (WO) DM/063 295
(51) **LOC (8) Cl.** **06-01**
(52) **U.S. Cl.** **D6/372; D6/379; D6/380**
(58) **Field of Search** D6/334-336, 371-374,
D6/379-380, 500-502; 297/445.1, 451.3,
451.7, 447.1, 448.2, 452.2, 446.1

(56) **References Cited**

U.S. PATENT DOCUMENTS

2,775,285 A * 12/1956 Moreland 297/338
D230,788 S * 3/1974 Petersen D6/372
D237,671 S * 11/1975 Grosfillex D6/370
D244,812 S * 6/1977 Buhk D6/372
D250,559 S * 12/1978 Petersen D6/372
D260,584 S * 9/1981 Albinson D6/373
D328,531 S * 8/1992 Citterio D6/372
D331,669 S * 12/1992 Citterio D6/372
D350,653 S * 9/1994 Citterio D6/372

D395,764 S * 7/1998 Dozsa-Farkas D6/372
D435,175 S * 12/2000 Chu D6/372
D467,751 S * 12/2002 Lepper et al. D6/372

OTHER PUBLICATIONS

Brno Tubular Chair. Catalog [online]. Design Within Reach, Copyright 1999-2002 [Retrieved on Nov. 1, 2004]. Retrieved from the Internet: <URL: www.dwr.com>.*
Sled Base Chair. Helene Catalog.*

* cited by examiner

Primary Examiner—Caron D. Veynar
Assistant Examiner—Vy Nguyen
(74) *Attorney, Agent, or Firm*—Dykema Gossett PLLC

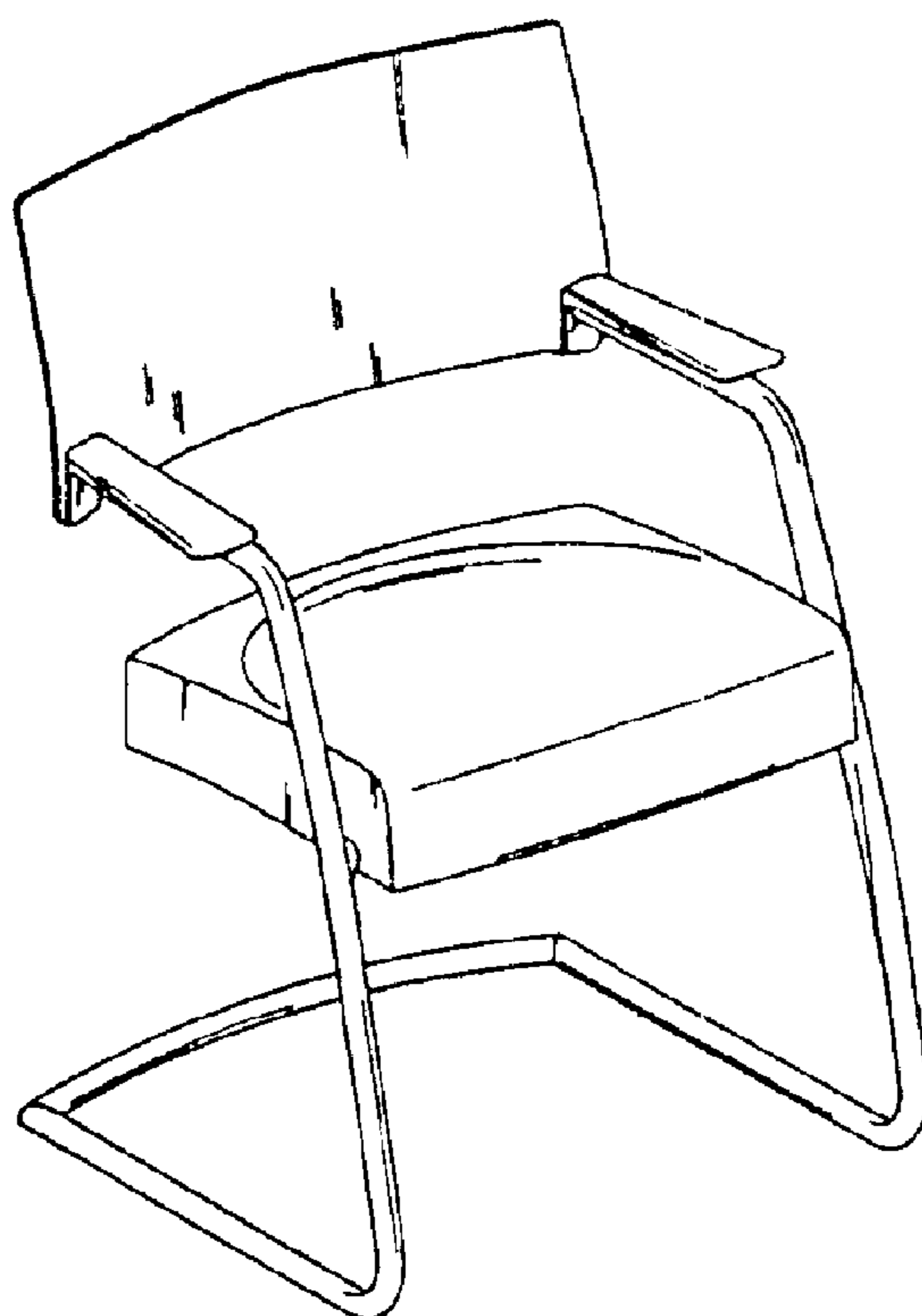
(57) **CLAIM**

The ornamental design for a chair, as shown and described.

DESCRIPTION

FIG. 1 is a front perspective view of the chair according to the invention.
FIG. 2 is a rear view of the chair according to the invention.
FIG. 3 is a front view of the chair according to the invention.
FIG. 4 is a right side view of the chair according to the invention; the left side view is a mirror image thereof.
FIG. 5 is a rear view of the chair according to the invention; and,
FIG. 6 is a top view of the chair according to the invention.

1 Claim, 3 Drawing Sheets



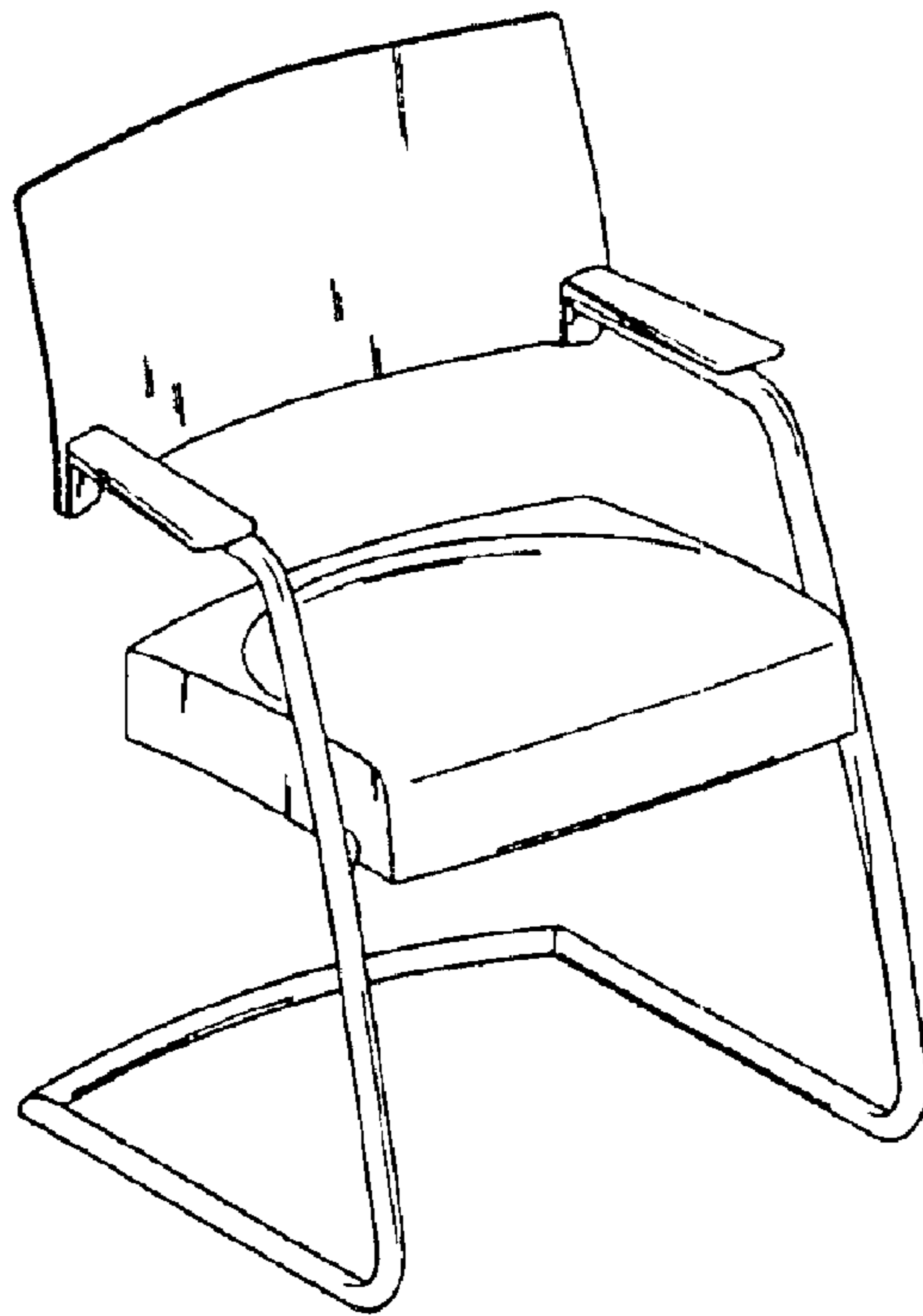


FIG. 1

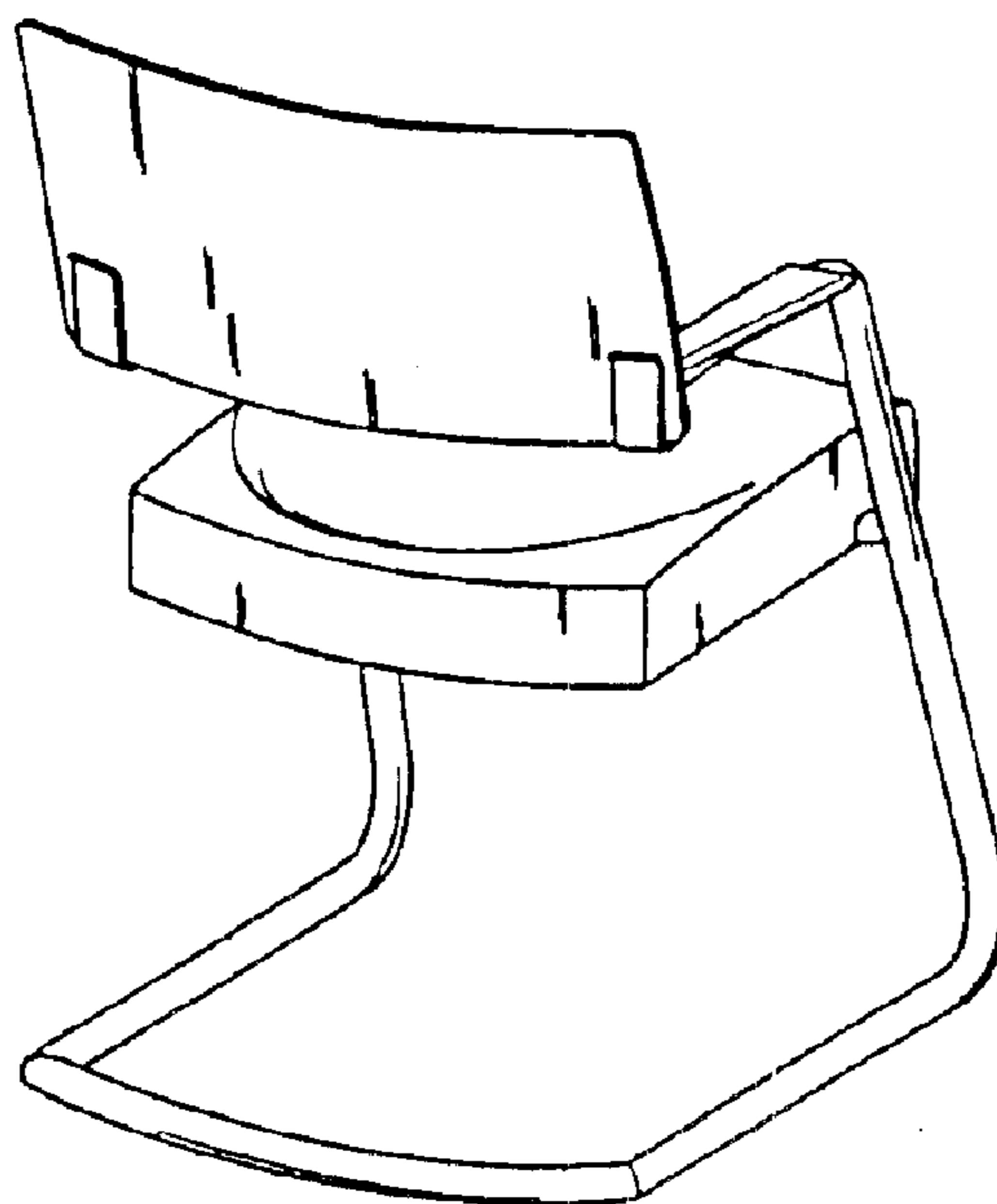


FIG. 2

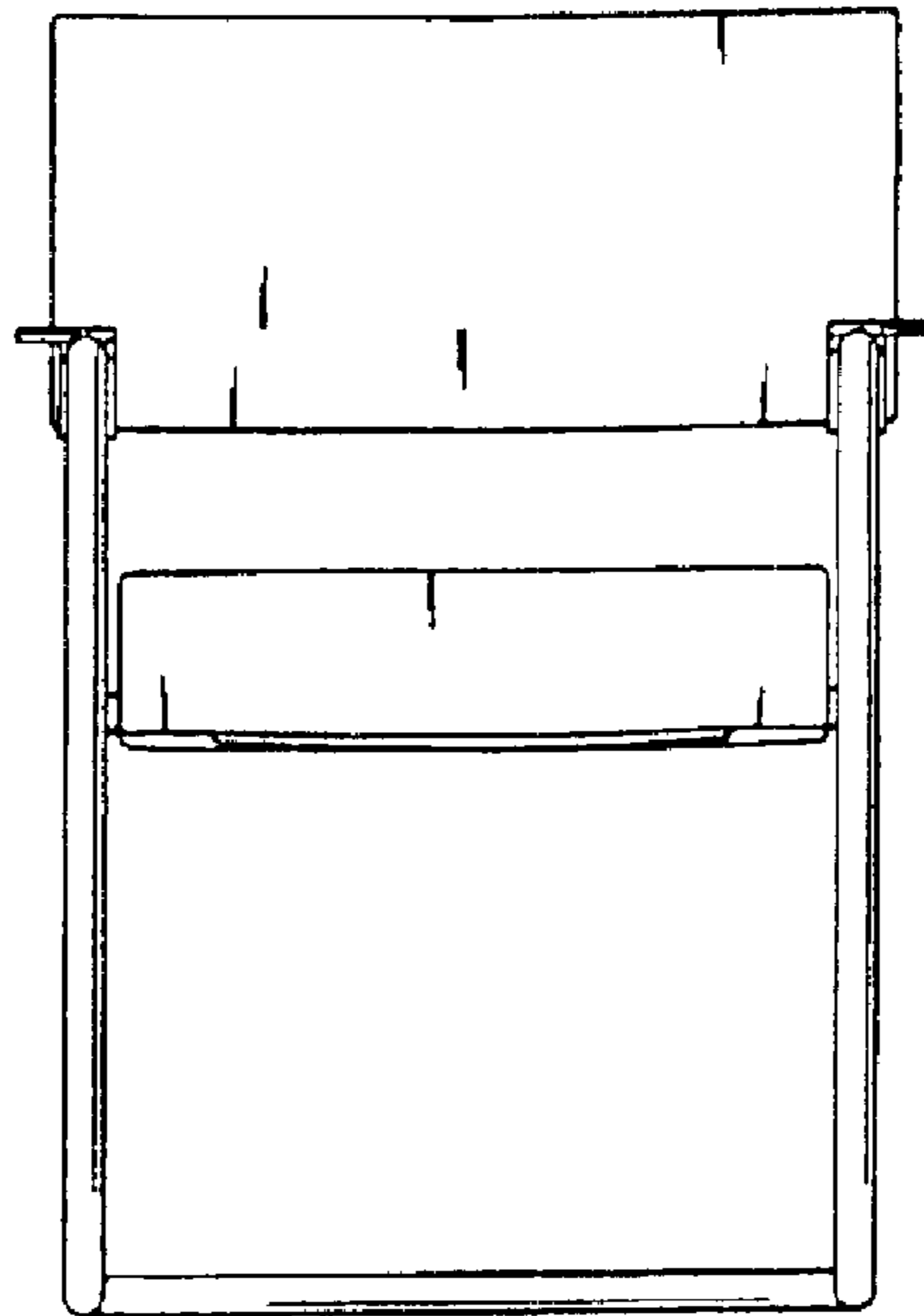


FIG. 3

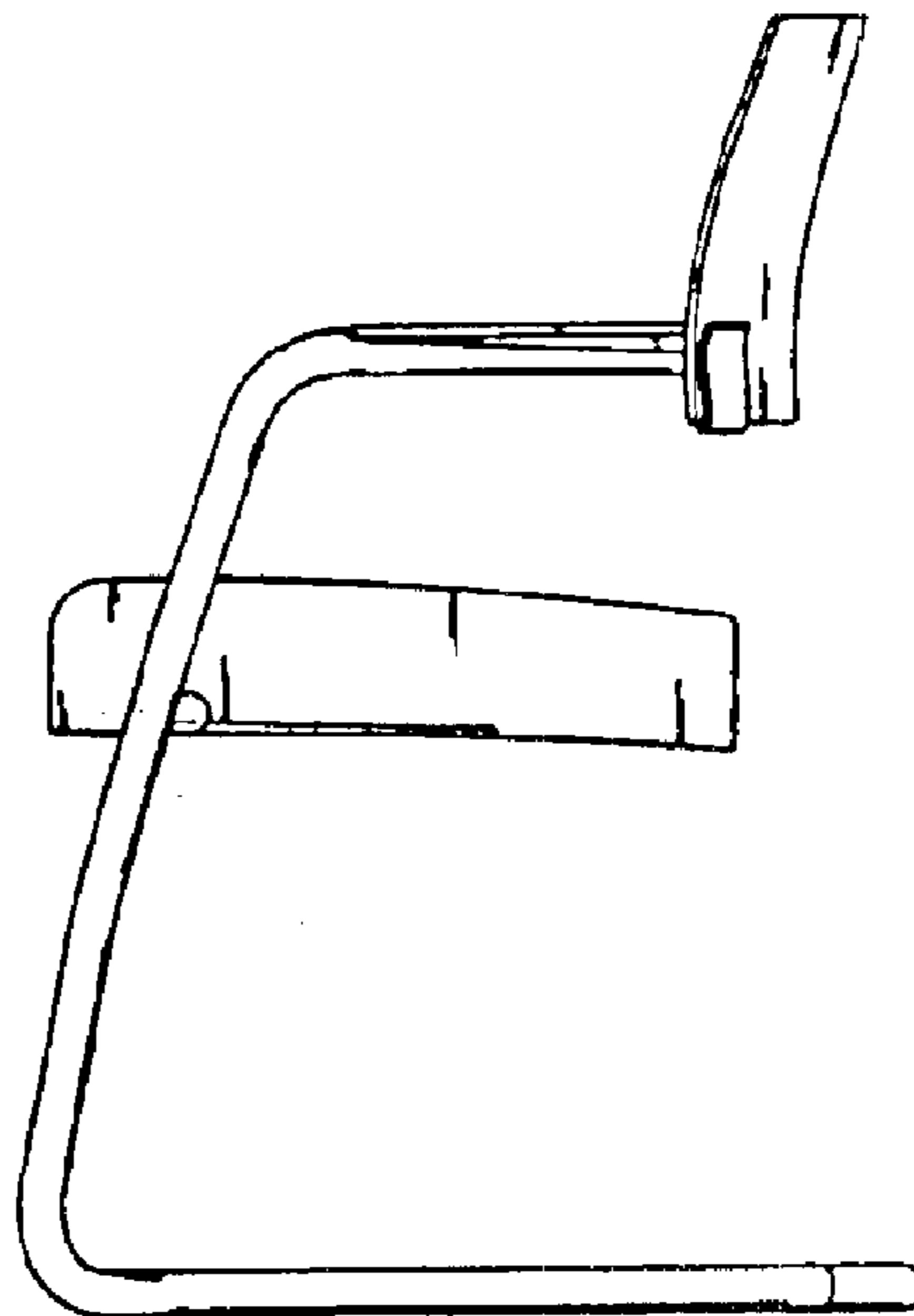


FIG. 4

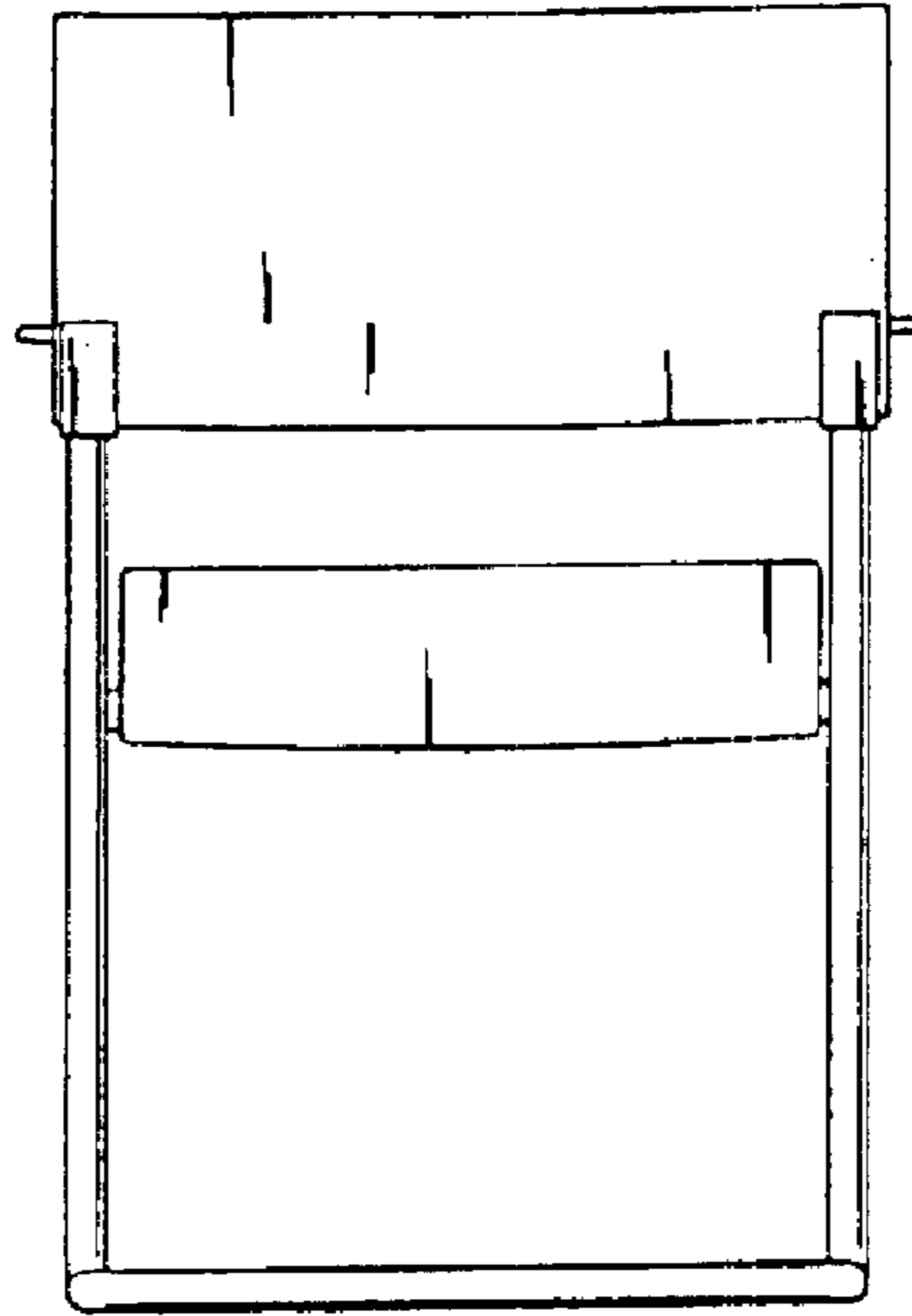


FIG. 5

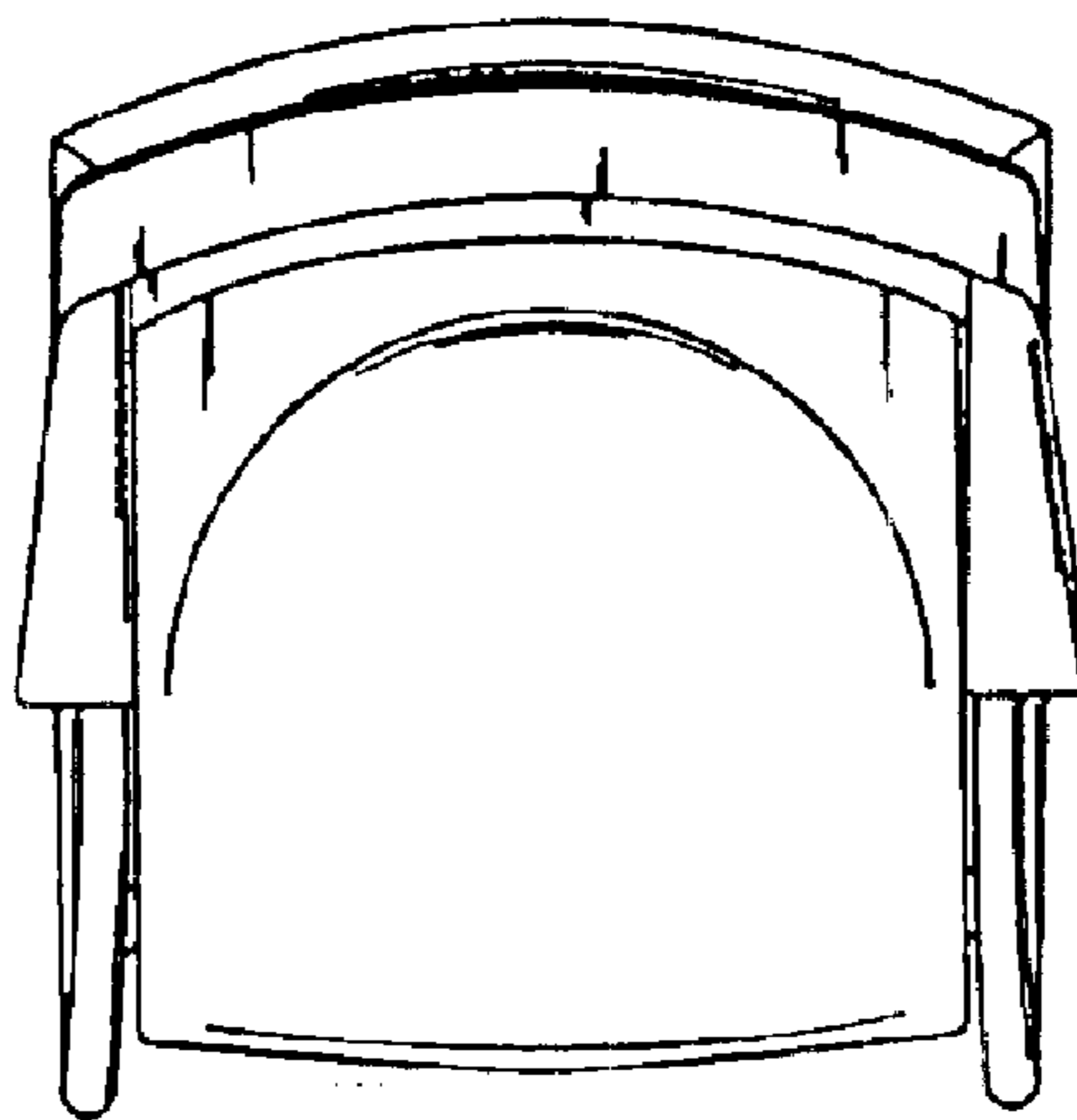


FIG. 6