

US00D508774S

(12) **United States Design Patent**  
**McAndrew**

(10) **Patent No.:** **US D508,774 S**

(45) **Date of Patent:** **\*\* Aug. 30, 2005**

(54) **TOOL TRAY**

(76) **Inventor:** **Michael J. McAndrew**, 2400 Belmar  
Blvd., Apt. B-5, Wall, NJ (US) 07719

(\*\*) **Term:** **14 Years**

(21) **Appl. No.:** **29/205,342**

(22) **Filed:** **May 14, 2004**

(51) **LOC (8) Cl.** ..... **03-01**

(52) **U.S. Cl.** ..... **D3/313**

(58) **Field of Search** ..... D3/20, 26, 203.3,  
D3/304-315; D19/75, 77, 100; 206/555,  
557, 561, 562, 564

(56) **References Cited**

**U.S. PATENT DOCUMENTS**

5,078,281 A 1/1992 Johnson  
5,134,918 A \* 8/1992 Chang ..... 84/600  
D347,942 S \* 6/1994 Gilbert et al. .... D3/308

D422,141 S \* 4/2000 Dembicks ..... D3/313  
6,095,057 A 8/2000 Corban  
6,467,744 B1 10/2002 Calin  
D467,080 S \* 12/2002 Zimmerman ..... D3/311

\* cited by examiner

*Primary Examiner*—Louis S. Zarfaz

*Assistant Examiner*—John Windmuller

(74) *Attorney, Agent, or Firm*—Richard L. Mikesell

(57) **CLAIM**

The design for a tool tray, as shown and described.

**DESCRIPTION**

FIG. 1 is a Top Right perspective view of the design of the instant invention;

FIG. 2 is a bottom view thereof;

FIG. 3 is a front elevation view thereof; and,

FIG. 4 is a left side elevation view thereof.

**1 Claim, 1 Drawing Sheet**

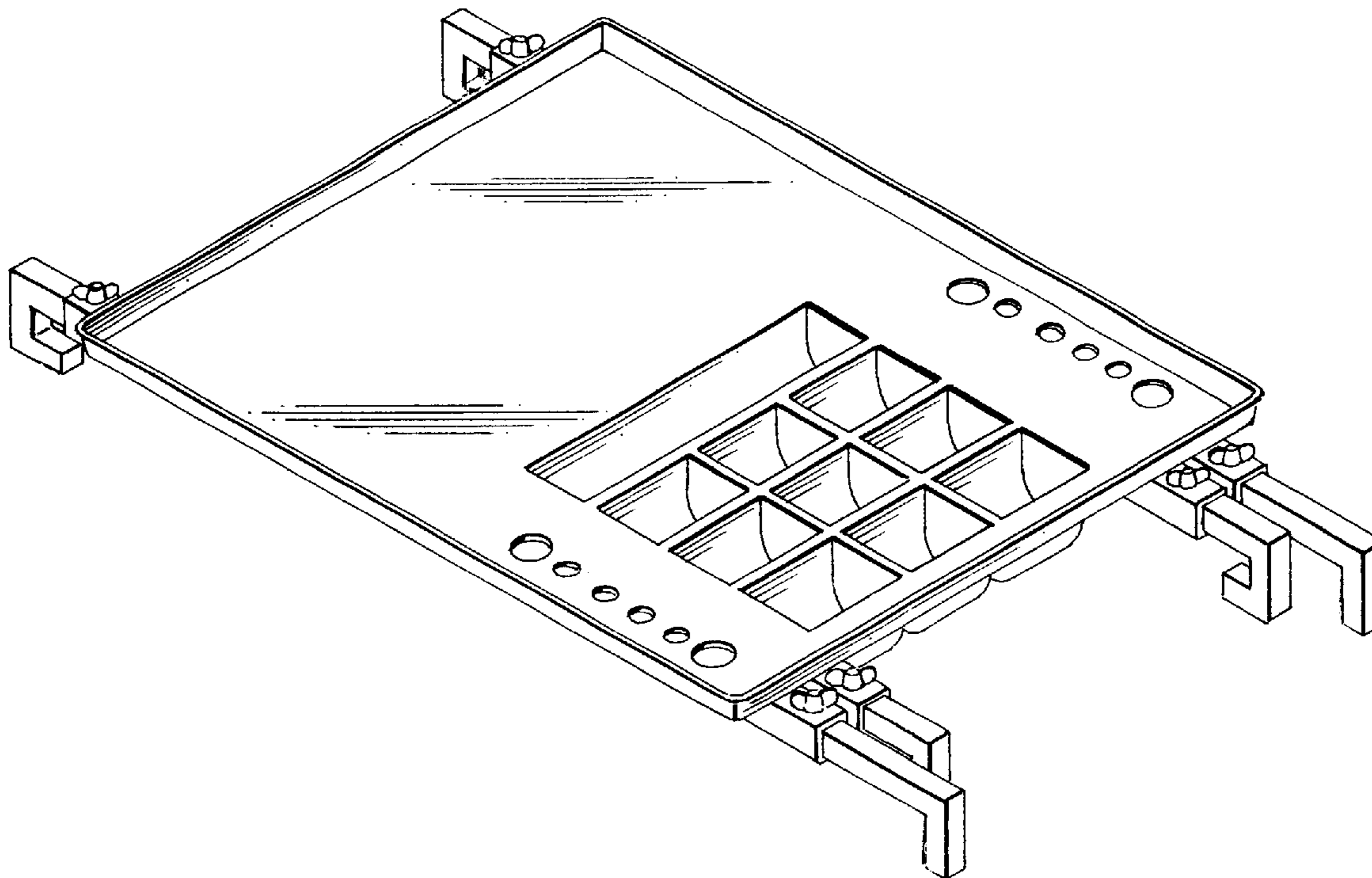


FIG. 1

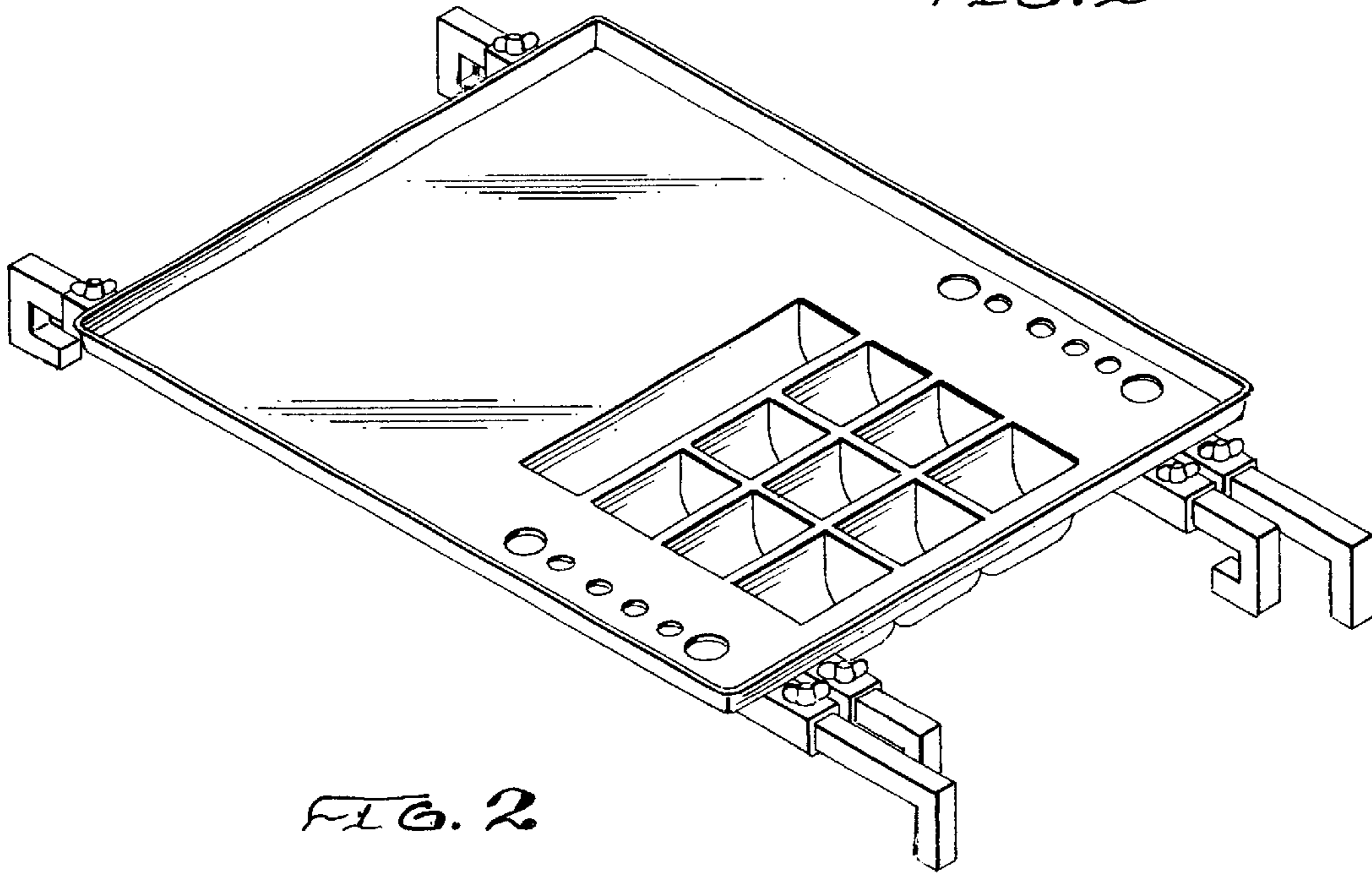


FIG. 2

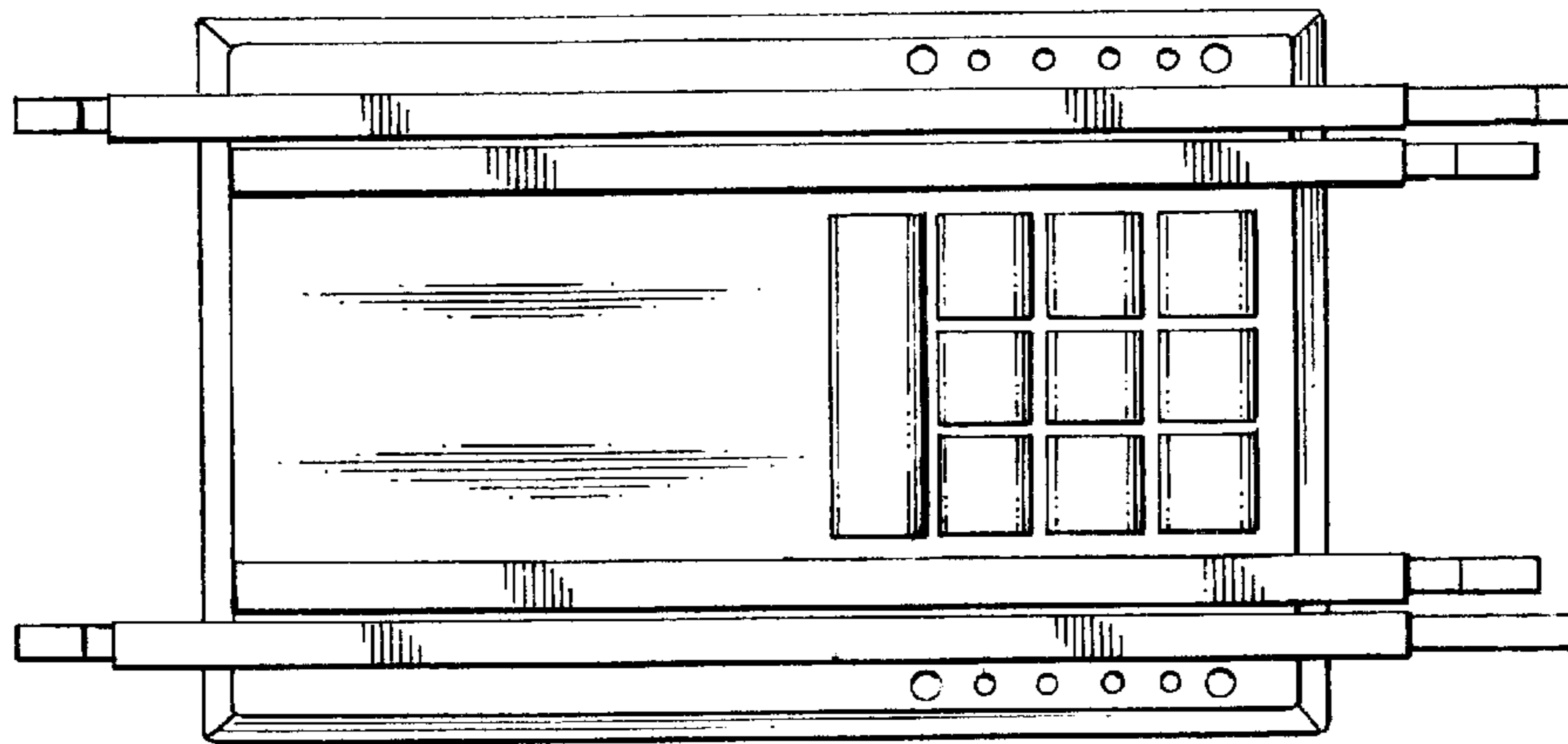


FIG. 3

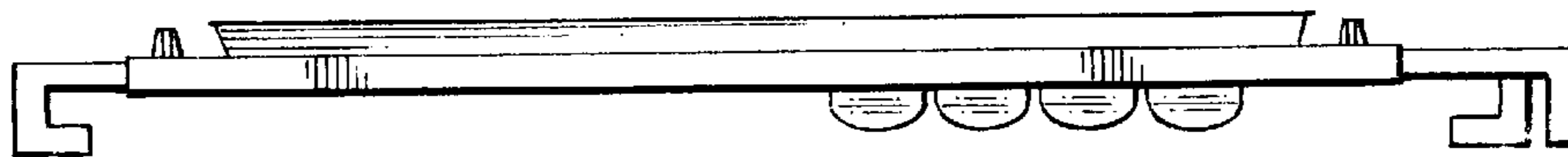


FIG. 4

