

US00D508772S

(12) **United States Design Patent** (10) **Patent No.:** **US D508,772 S**
Gilson et al. (45) **Date of Patent:** **** Aug. 30, 2005**

(54) **ENVELOPE-SHAPED CONTAINER**

6,776,374 B2 * 8/2004 LaSee 244/148

(75) Inventors: **Richard A. Gilson**, Lenexa, KS (US);
Gary T. Pratt, Lawrence, KS (US)

FOREIGN PATENT DOCUMENTS

GB 7112 5/1899
JP 08-040442 2/1996

(73) Assignee: **Hallmark Cards, Incorporated**,
Kansas City, MO (US)

* cited by examiner

(**) Term: **14 Years**

Primary Examiner—Philip S. Hyder
(74) *Attorney, Agent, or Firm*—Fish & Richardson P.C.,
P.A.

(21) Appl. No.: **29/203,171**

(22) Filed: **Apr. 9, 2004**

(57) **CLAIM**

(51) **LOC (8) Cl.** **03-01**

The ornamental design for an envelope-shaped container, as shown and described.

(52) **U.S. Cl.** **D3/271.1; D3/294**

(58) **Field of Search** D3/201, 205, 206,
D3/271.1, 273, 294, 290, 299; D9/420,
423, 433; 206/457; 220/826, 817

DESCRIPTION

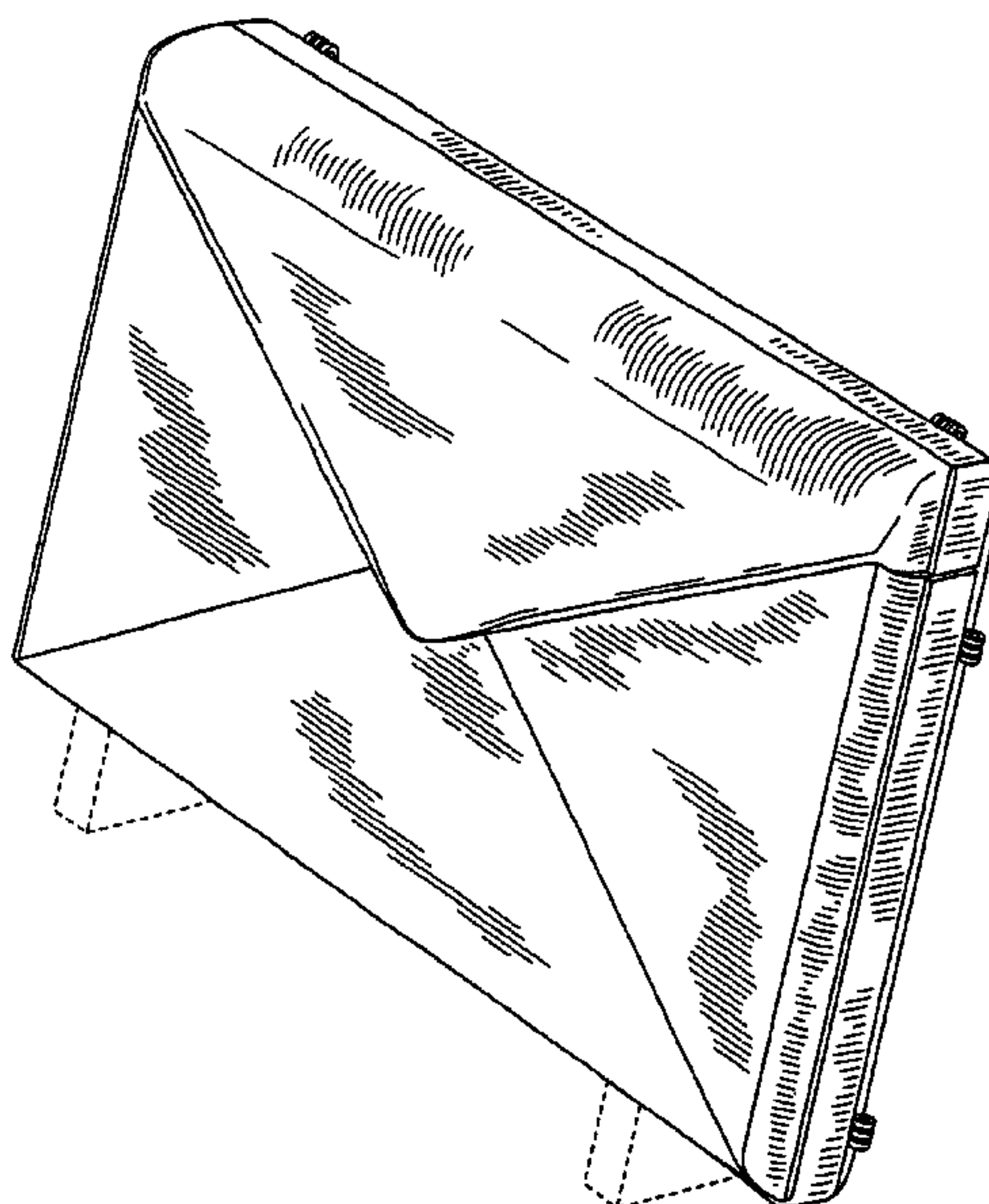
(56) **References Cited**

U.S. PATENT DOCUMENTS

689,076	A	12/1901	Grange	
1,824,354	A	* 9/1931	Kotlicke	150/152
1,838,869	A	* 12/1931	Rieb	190/115
2,458,834	A	1/1949	Chateaneuf	
2,467,545	A	4/1949	Young	
2,576,667	A	11/1951	Bly	
3,773,251	A	11/1973	Hadick	
4,041,630	A	8/1977	Holbrook	
4,326,349	A	4/1982	Daughtry	
D270,786	S	* 10/1983	Handy et al.	D3/299
D289,228	S	* 4/1987	Chinman	D3/299
5,133,496	A	7/1992	Davidson et al.	
D342,445	S	* 12/1993	Brewer	D19/3
5,499,713	A	* 3/1996	Huffer	206/320
5,746,263	A	5/1998	Koverola	
6,082,029	A	7/2000	Hoffman	
D439,742	S	* 4/2001	Fujino et al.	D3/290
D459,652	S	* 7/2002	Beutler	D9/433
D472,386	S	* 4/2003	Bauer	D3/290

FIG. 1 is a perspective view of an envelope-shaped container showing our new design;
FIG. 2 is a front view of the container of FIG. 1.
FIG. 3 is a rear view of the container of FIG. 1.
FIG. 4 is a right side view of the container of FIG. 1.
FIG. 5 is a left side view of the container of FIG. 1.
FIG. 6 is a top view of the container of FIG. 1.
FIG. 7 is a bottom view of the container of FIG. 1.
FIG. 8 is a perspective of the container of FIG. 1 in an open position;
FIG. 9 is a perspective view of an alternate embodiment of the envelope-shaped container;
FIG. 10 is a front view of the container of FIG. 9.
FIG. 11 is a rear view of the container of FIG. 9.
FIG. 12 is a right side view of the container of FIG. 9.
FIG. 13 is a left side view of the container of FIG. 9.
FIG. 14 is a top view of the container of FIG. 9.
FIG. 15 is a bottom view of the container of FIG. 9; and,
FIG. 16 is a perspective view of the container of FIG. 9 in a open position.

1 Claim, 8 Drawing Sheets



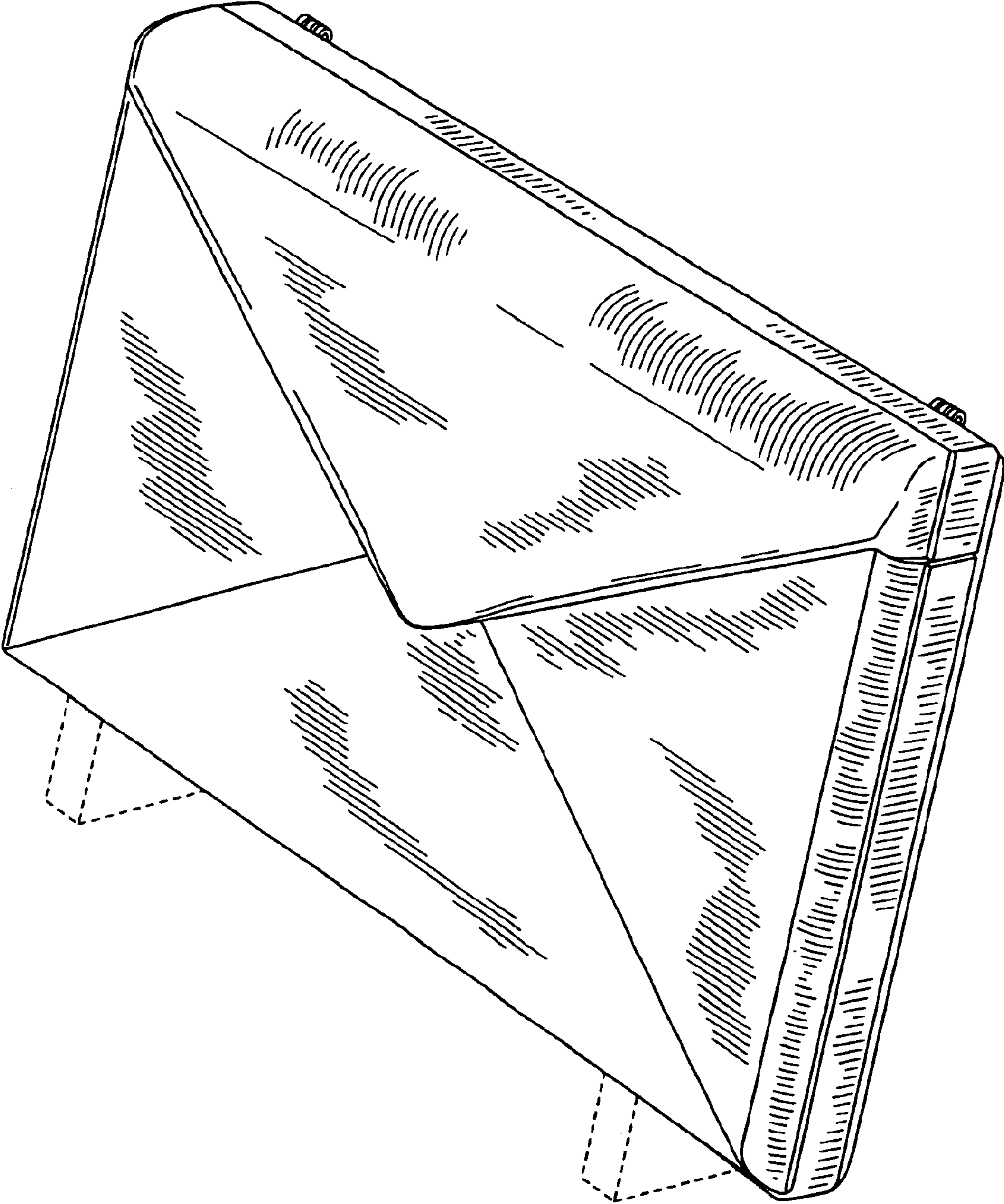


FIG. 1

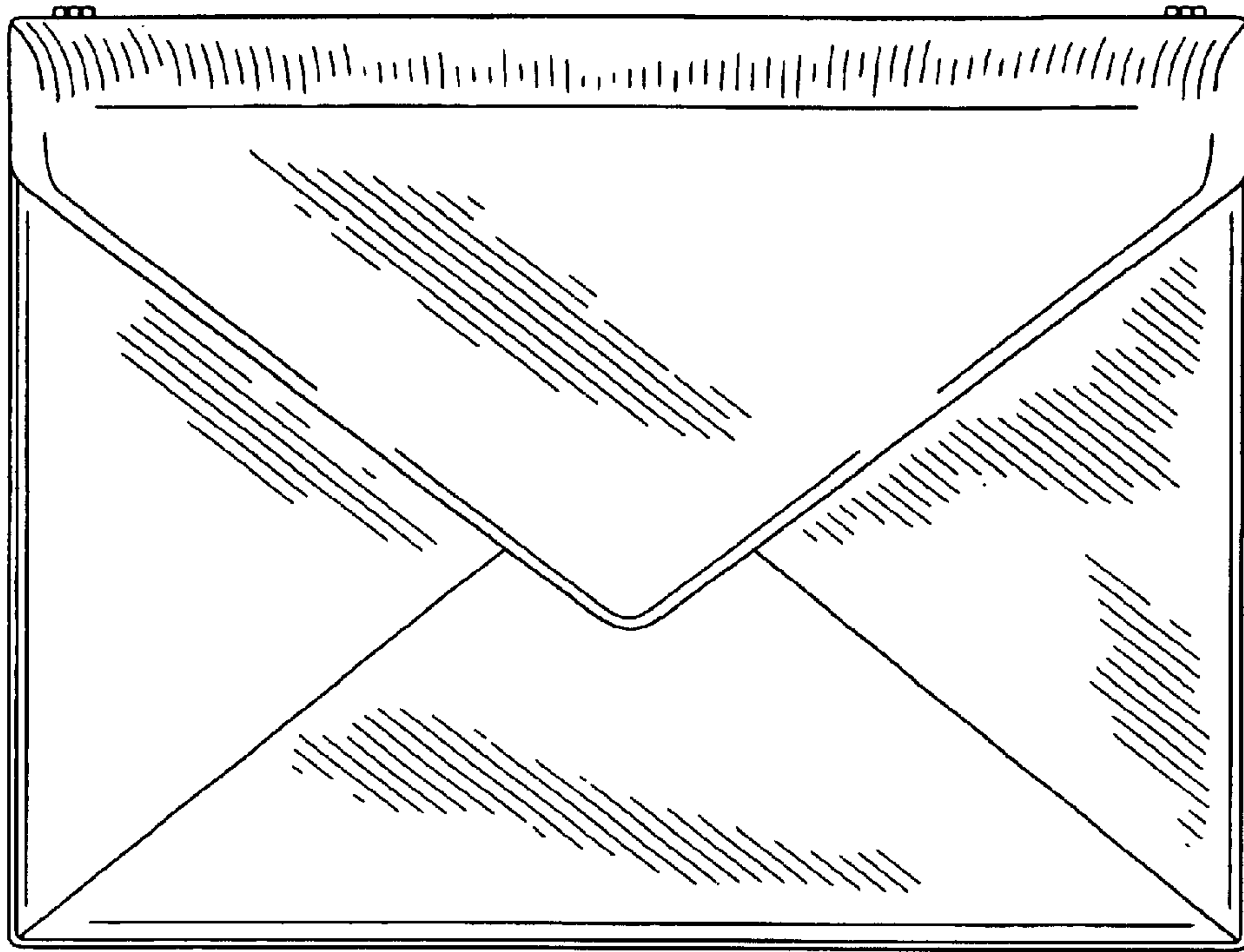


FIG. 2

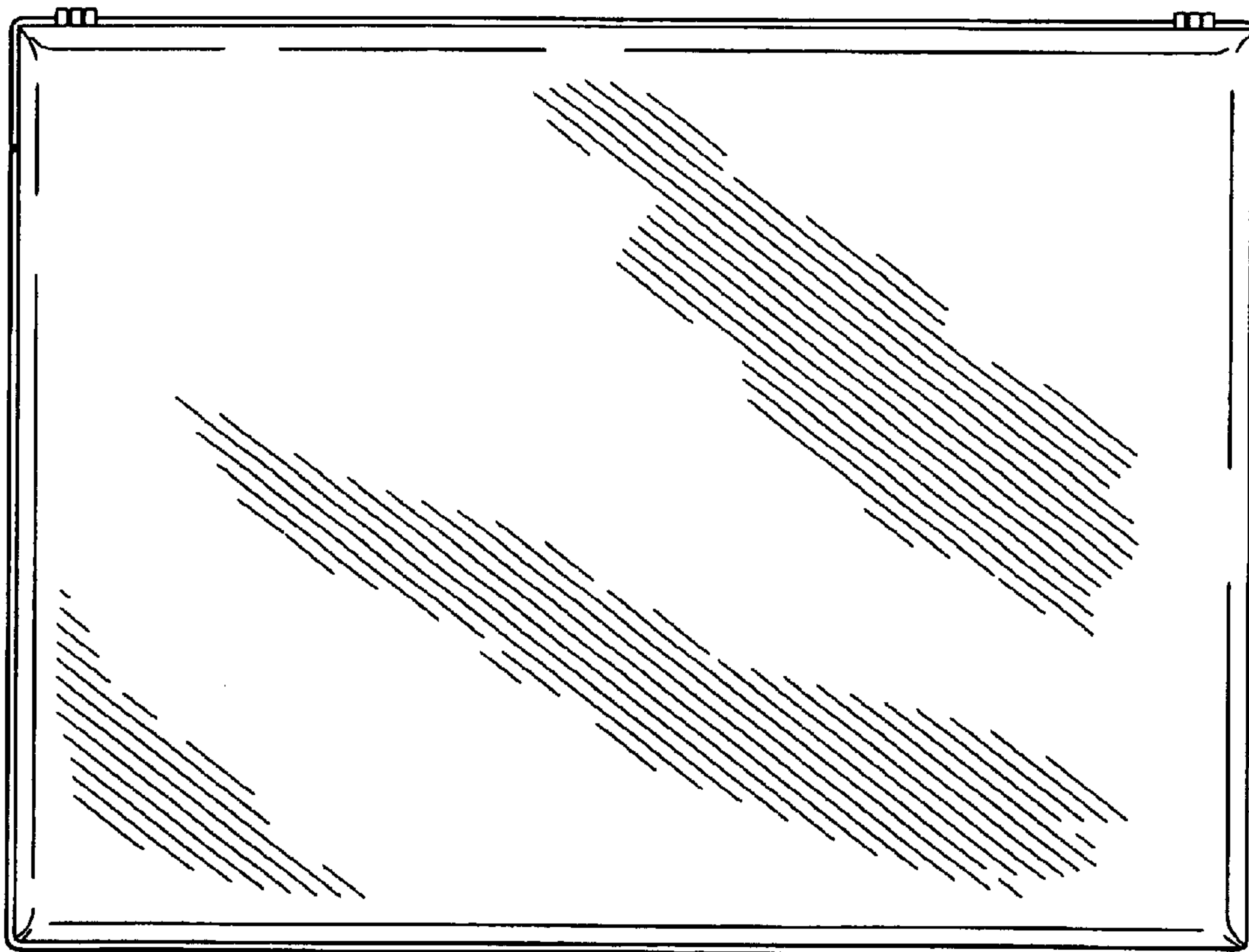


FIG. 3

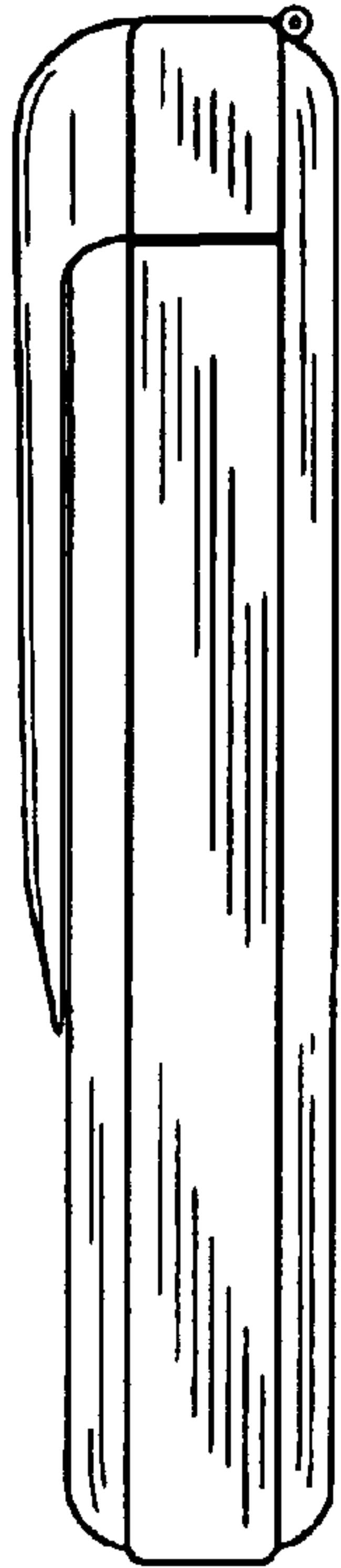


FIG. 4



FIG. 5

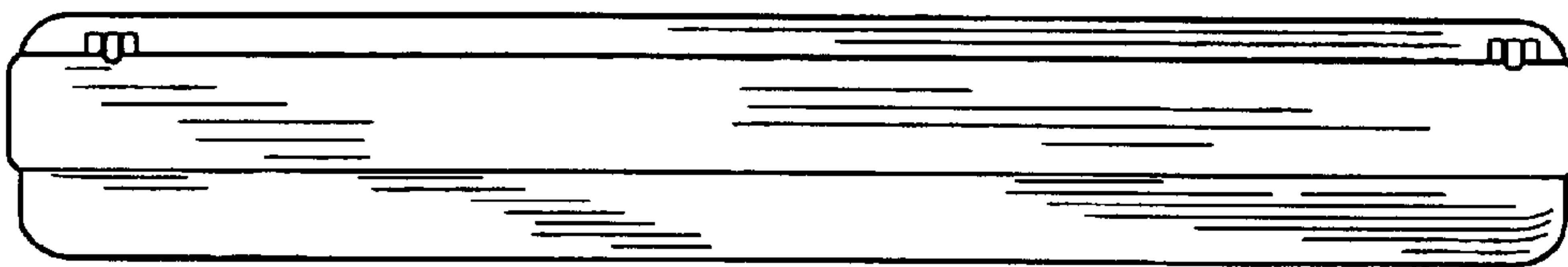


FIG. 6

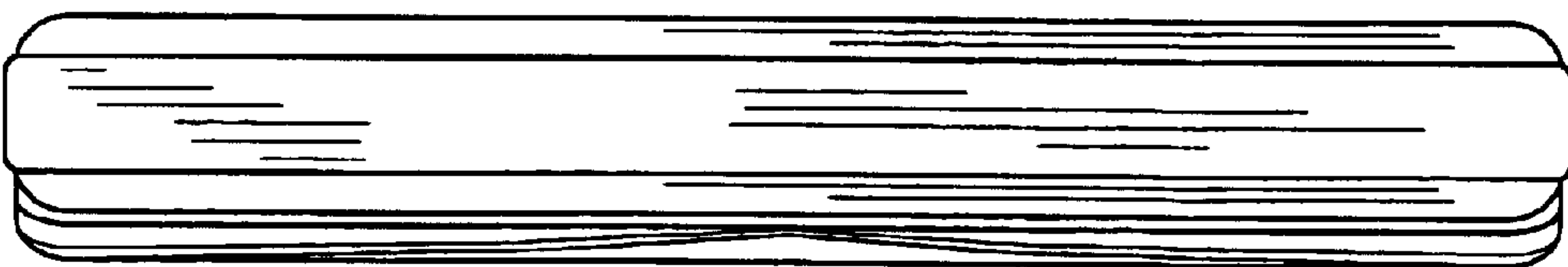


FIG. 7

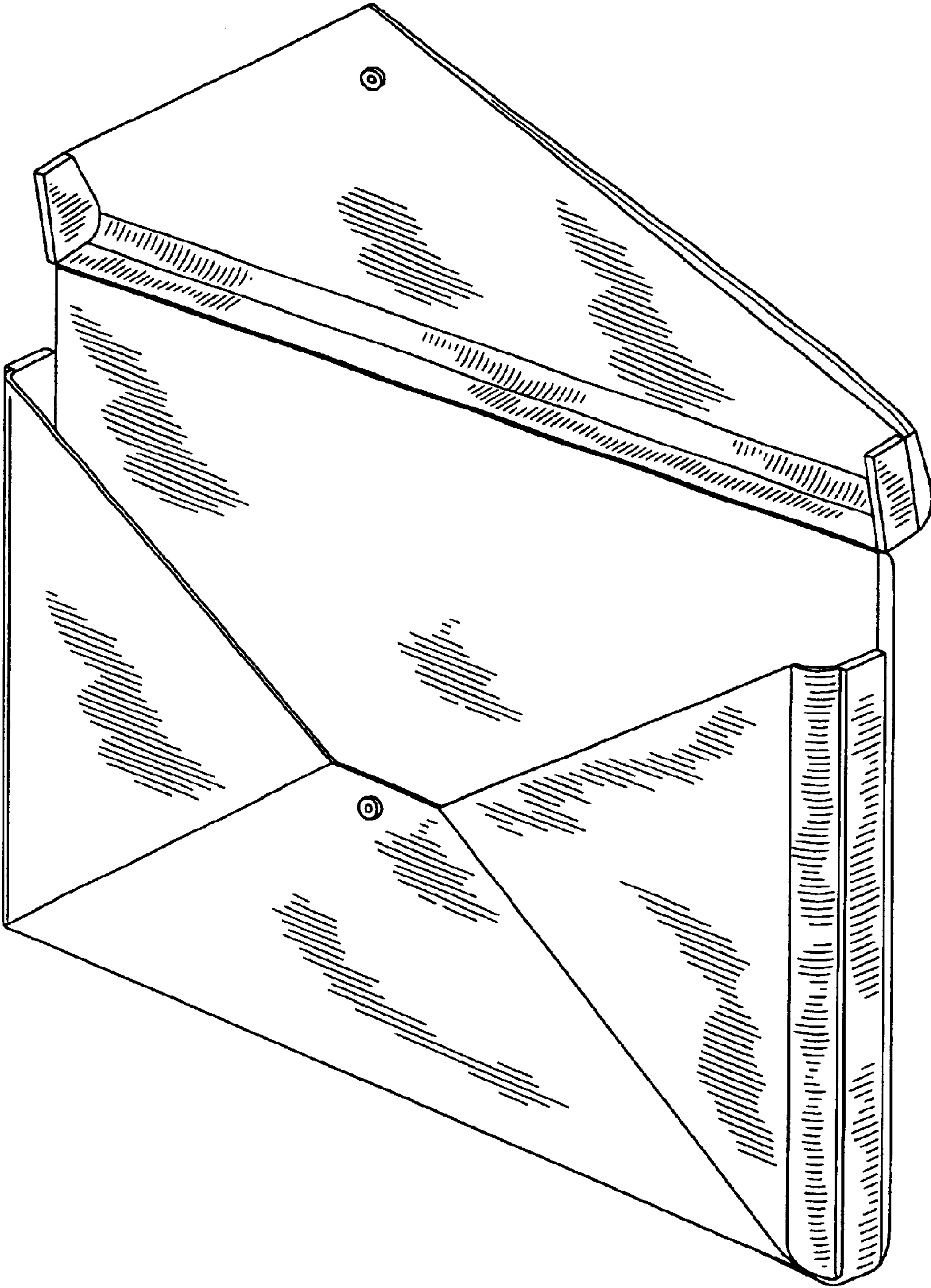


FIG. 8

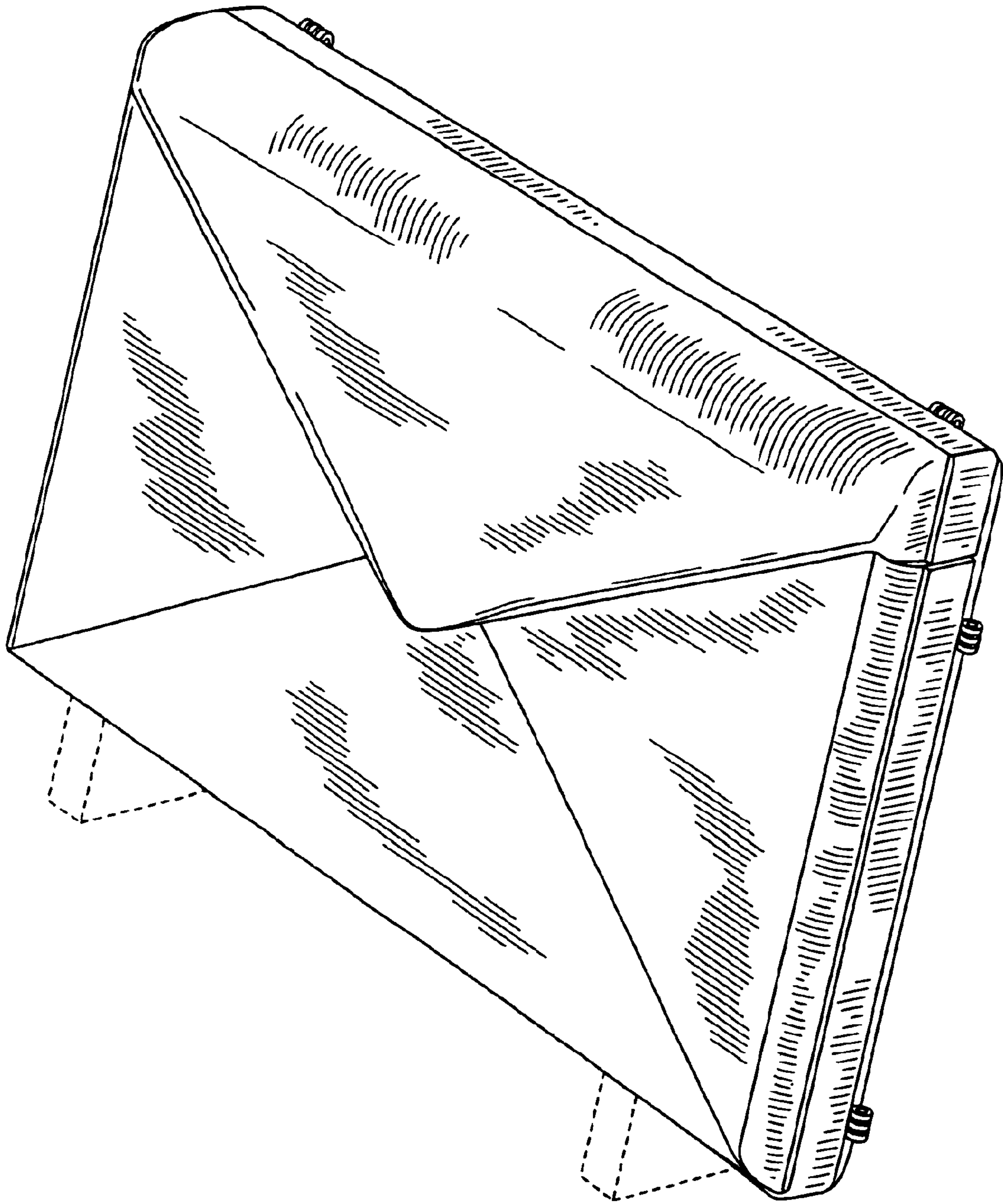


FIG. 9

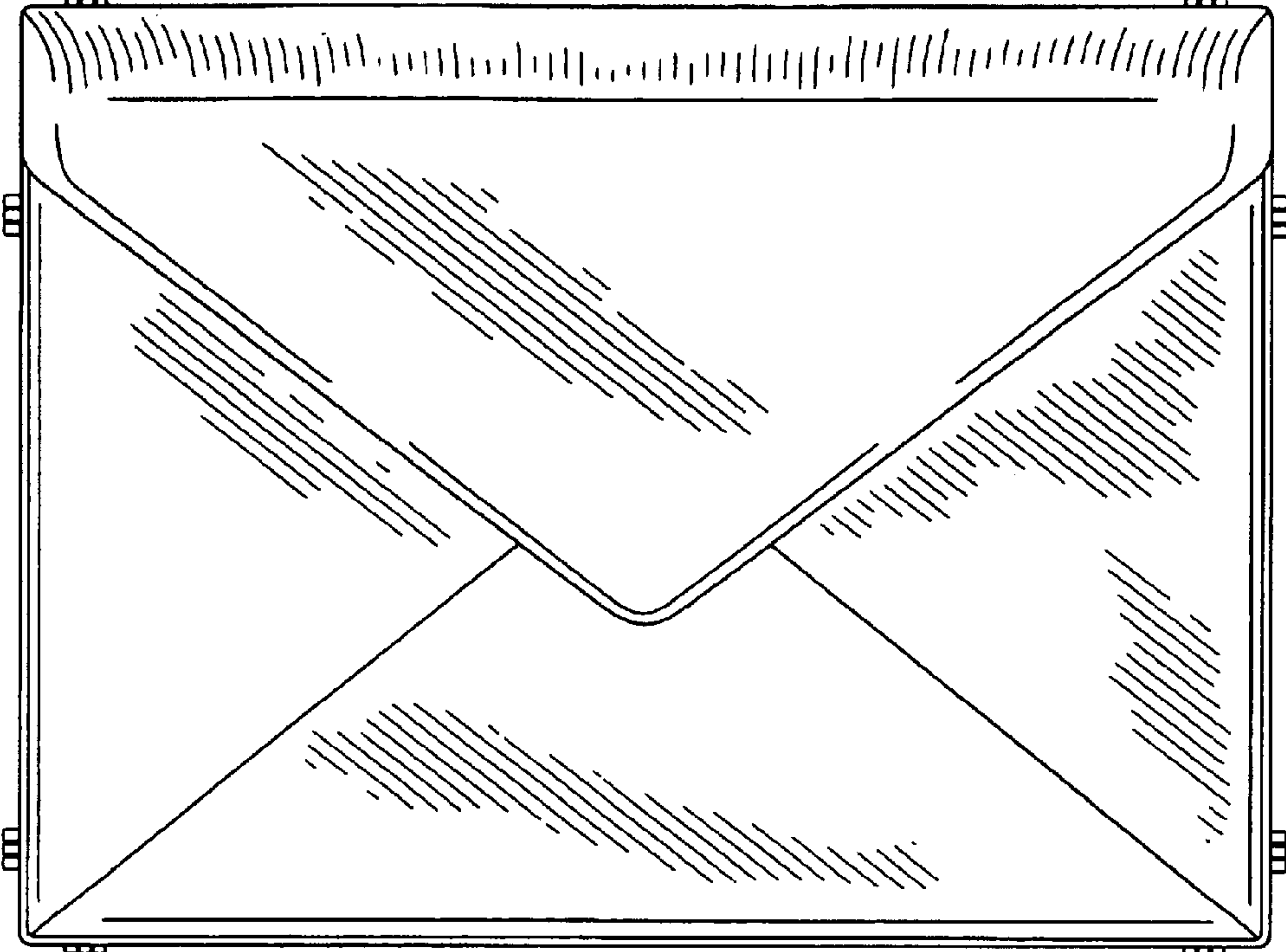


FIG. 10

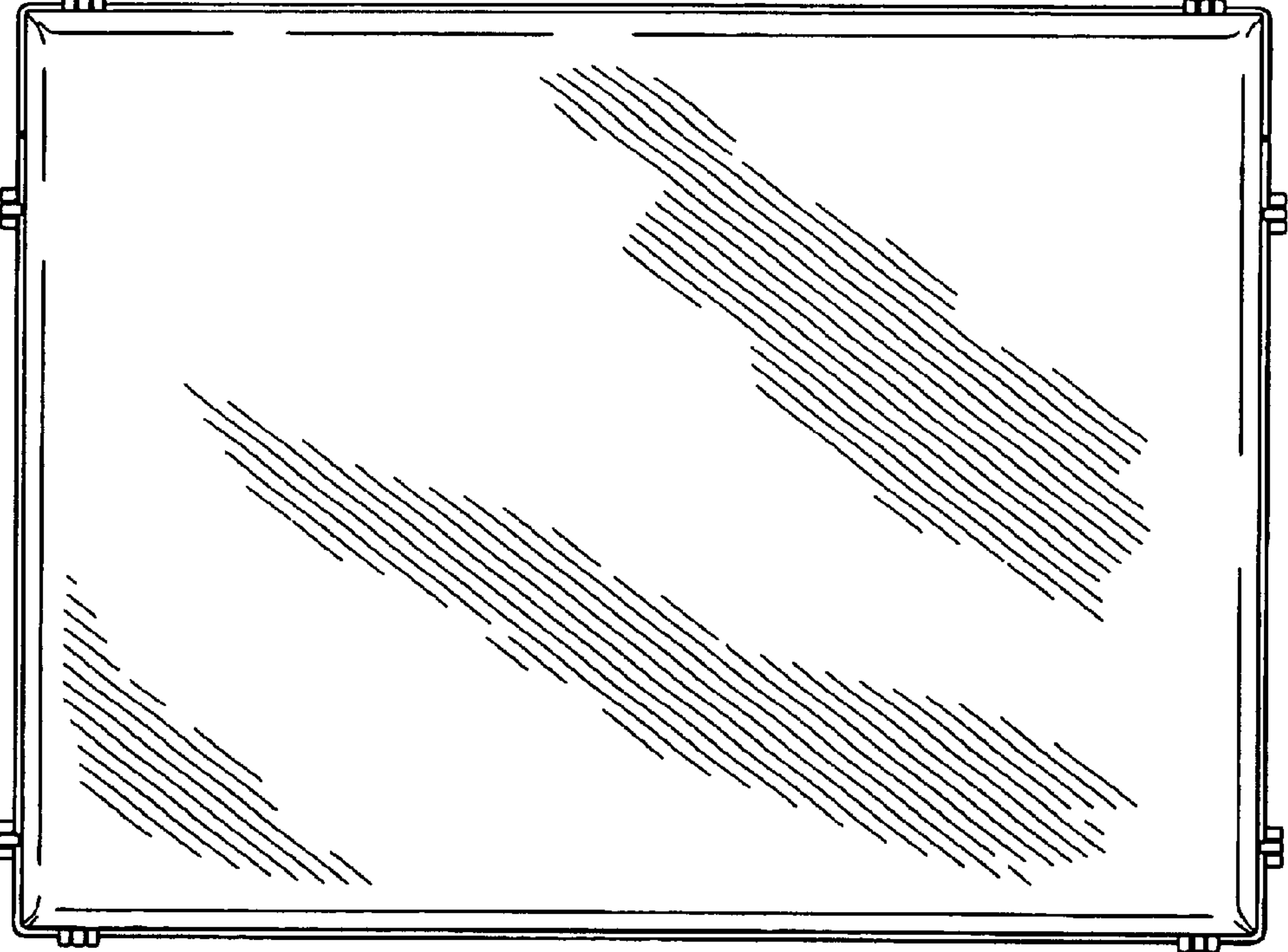


FIG. 11



FIG. 12



FIG. 13

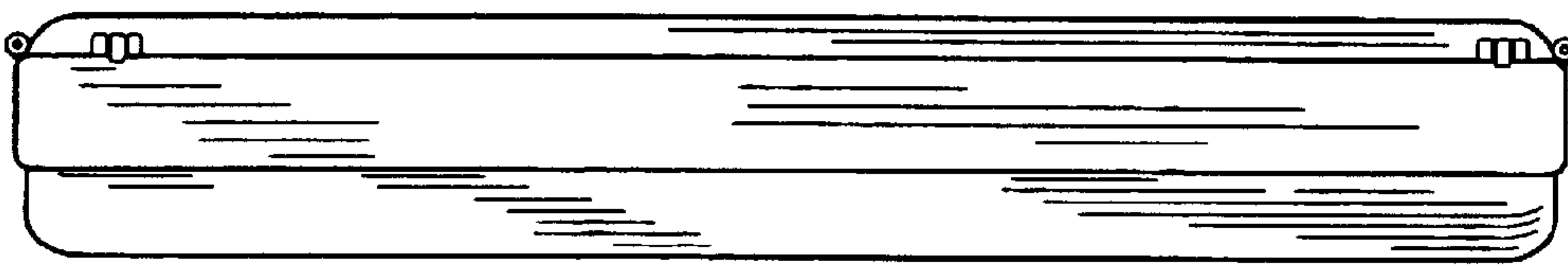


FIG. 14

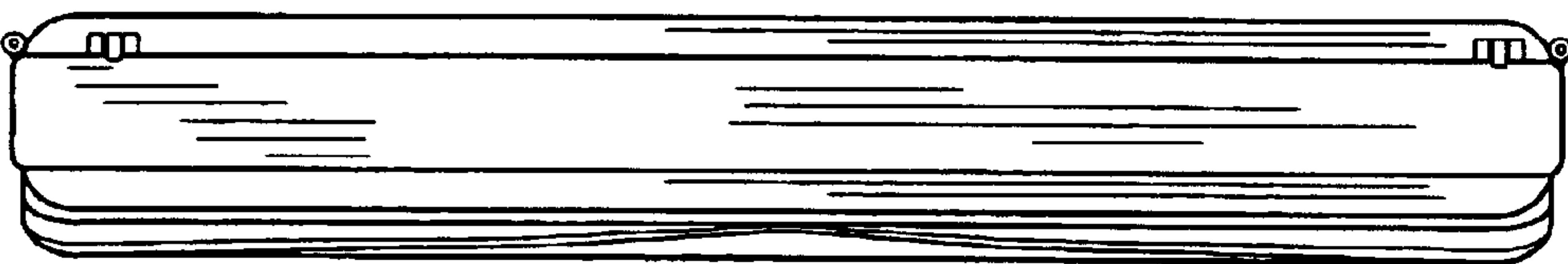


FIG. 15

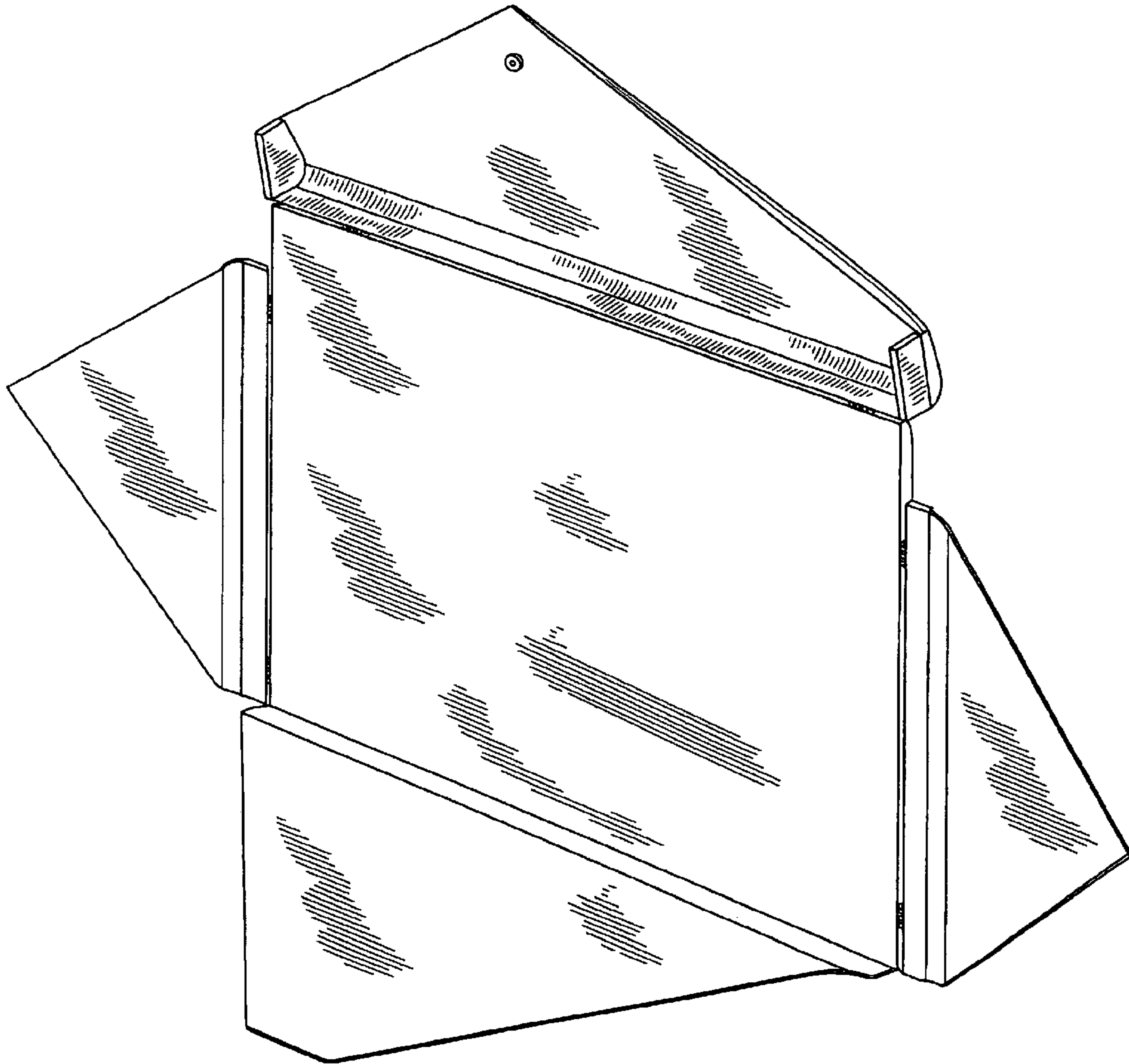


FIG. 16