

US00D508771S

(12) **United States Design Patent** (10) **Patent No.:** **US D508,771 S**
Gibson et al. (45) **Date of Patent:** **** Aug. 30, 2005**

(54) **DISPLAY, TRANSPORT, OR STORAGE DEVICE FOR FISHING EQUIPMENT**

(75) Inventors: **Stephen Gibson**, Columbia, SC (US);
Fred Chen, Columbia, SC (US)

(73) Assignee: **Normark Innovations, Inc.**,
Minnetonka, MN (US)

(**) Term: **14 Years**

(21) Appl. No.: **29/204,037**

(22) Filed: **Apr. 22, 2004**

(51) **LOC (8) Cl.** **03-01**

(52) **U.S. Cl.** **D3/259; D3/260**

(58) **Field of Search** **D3/259, 260; 294/159;**
211/70.8, 195, 19, 70.6, 70.2; 224/922;
D22/147; D6/552

(56) **References Cited**

U.S. PATENT DOCUMENTS

3,674,190 A	7/1972	Wright	
4,003,612 A	1/1977	Munsell	
D248,347 S	7/1978	McCollum	
4,133,131 A	1/1979	Davy	
D256,303 S	8/1980	Rieman	
4,311,262 A	1/1982	Morin	
D268,461 S	* 4/1983	Wess et al.	D3/259
4,529,112 A	7/1985	Miller	
4,628,628 A	12/1986	Burgin et al.	
4,696,122 A	9/1987	Van Der Zyl	
4,779,914 A	10/1988	Friedline	
D300,283 S	* 3/1989	Duckro, Jr. et al.	D3/259
4,953,318 A	* 9/1990	Vasseur, Jr.	43/21.2

5,005,847 A	*	4/1991	King et al.	280/47.19
5,152,494 A	*	10/1992	Frunzar	248/513
5,487,475 A	*	1/1996	Knee	211/70.8
5,657,883 A	*	8/1997	Badia	211/70.8
5,803,519 A	*	9/1998	Daigle	294/159
6,267,425 B1	*	7/2001	Dorsey	294/143

* cited by examiner

Primary Examiner—Philip S. Hyder

(74) *Attorney, Agent, or Firm*—Dority & Manning, P.A.

(57) **CLAIM**

The ornamental design for a display, transport, or storage device for fishing equipment, as shown and described.

DESCRIPTION

FIG. 1 is a perspective view of a display, transport, or storage device for fishing equipment showing my new design, wherein the broken line showing of the fishing pole and reel is for illustrative purposes only and forms no part of the claimed design.

FIG. 2 is a perspective view of the device as illustrated in FIG. 1, wherein the broken line structure is omitted.

FIG. 3 is a front view of the device as illustrated in FIG. 1.

FIG. 4 is a side view of the device as illustrated in FIG. 1.

FIG. 5 is a rear view of the device as illustrated in FIG. 1.

FIG. 6 is a side view of the device as illustrated in FIG. 1.

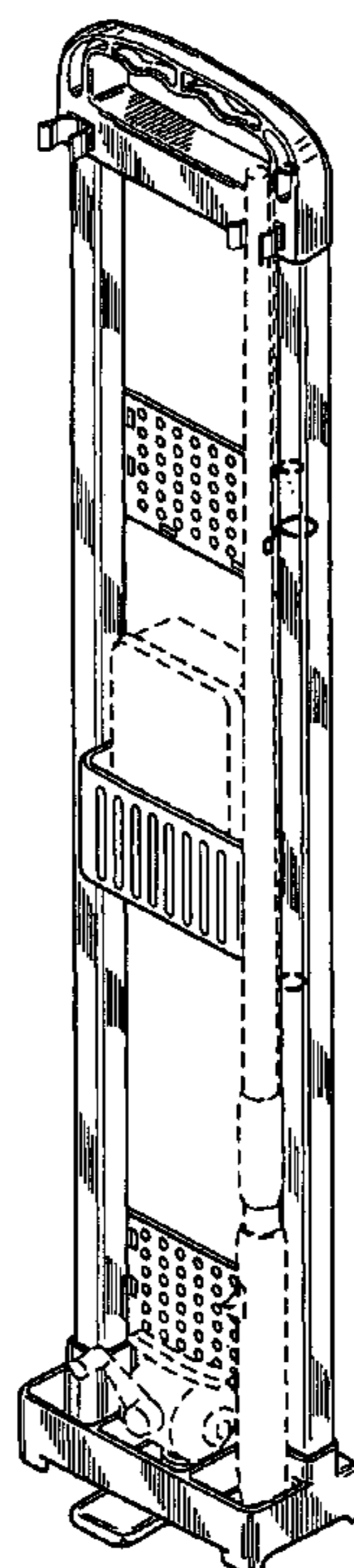
FIG. 7 is a top view of the device as illustrated in FIG. 1;

and,

FIG. 8 is a bottom view of the device as illustrated in FIG. 1.

The material shown in dashed lines in the figures is not part of or a component of the claimed design.

1 Claim, 4 Drawing Sheets



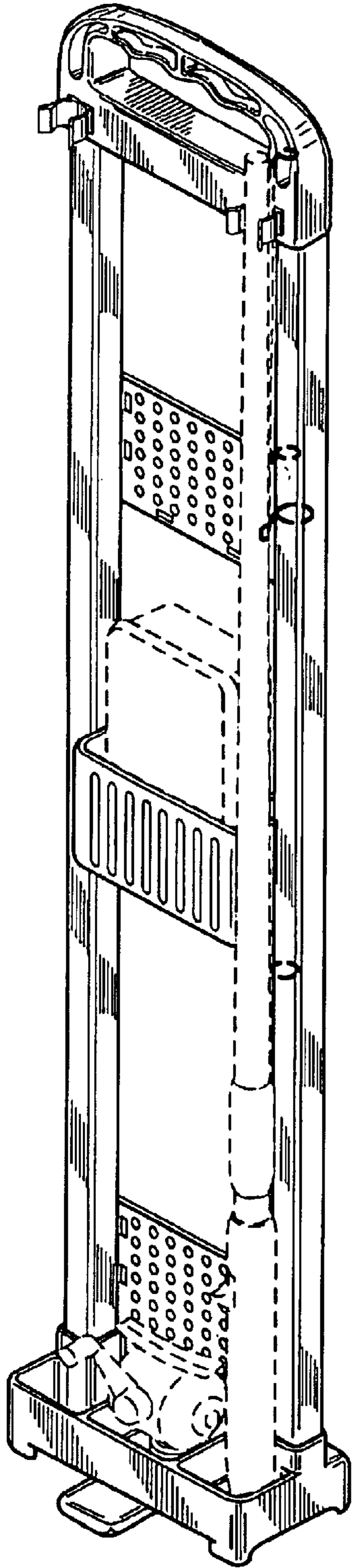


Fig. 1

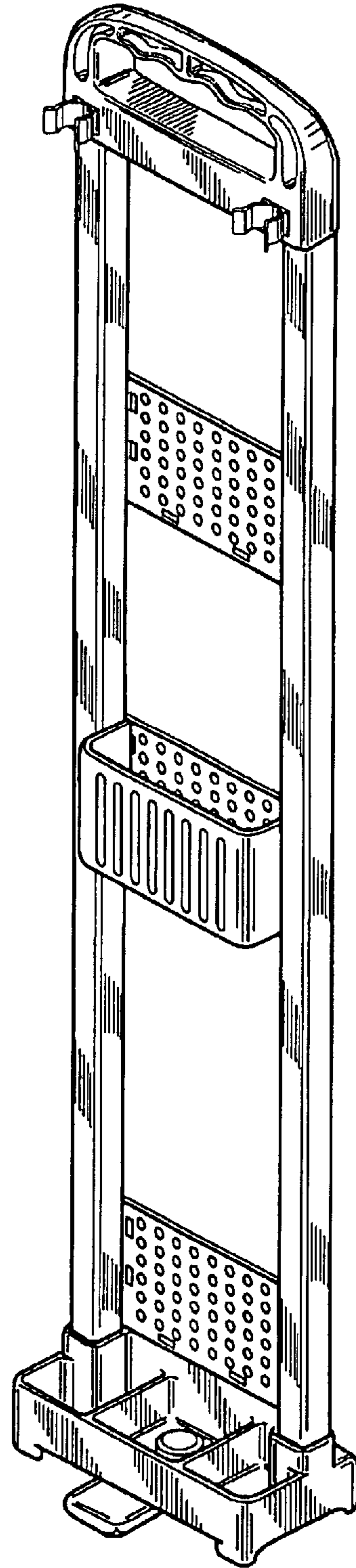


Fig. 2

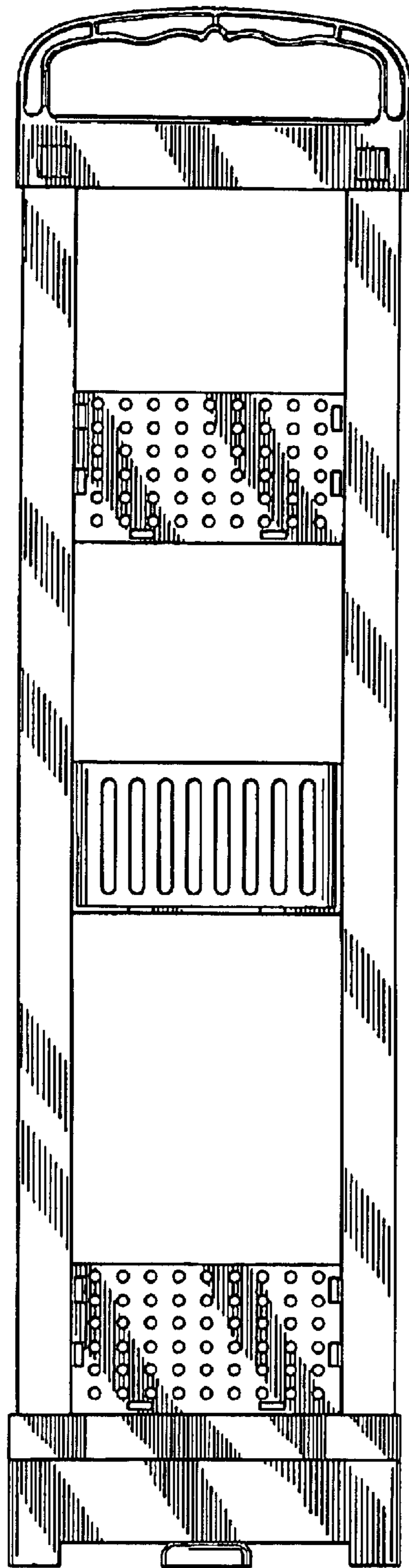


Fig. 3

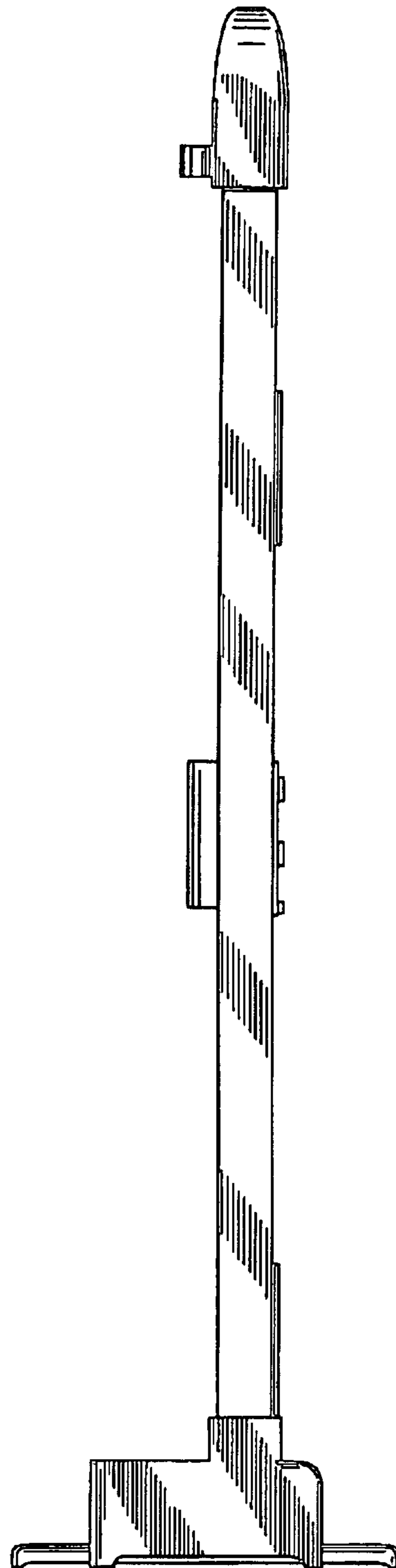


Fig. 4

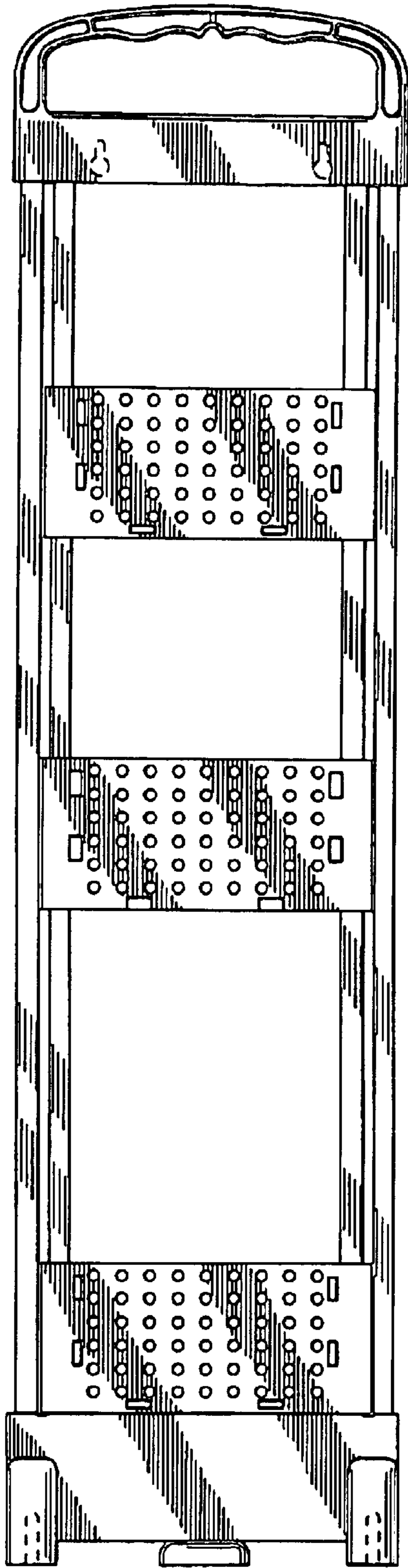


Fig. 5

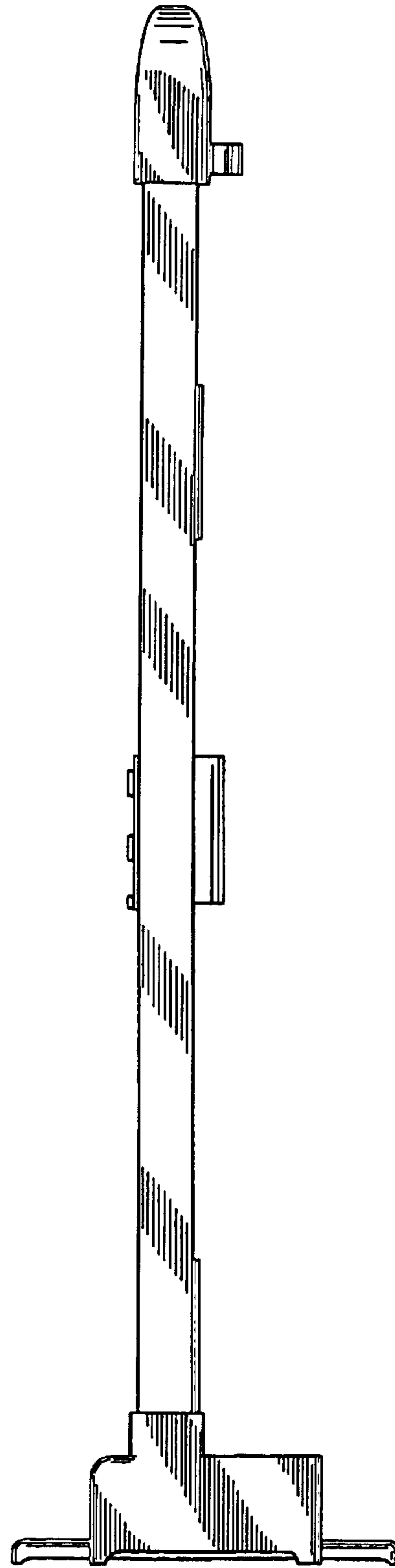


Fig. 6

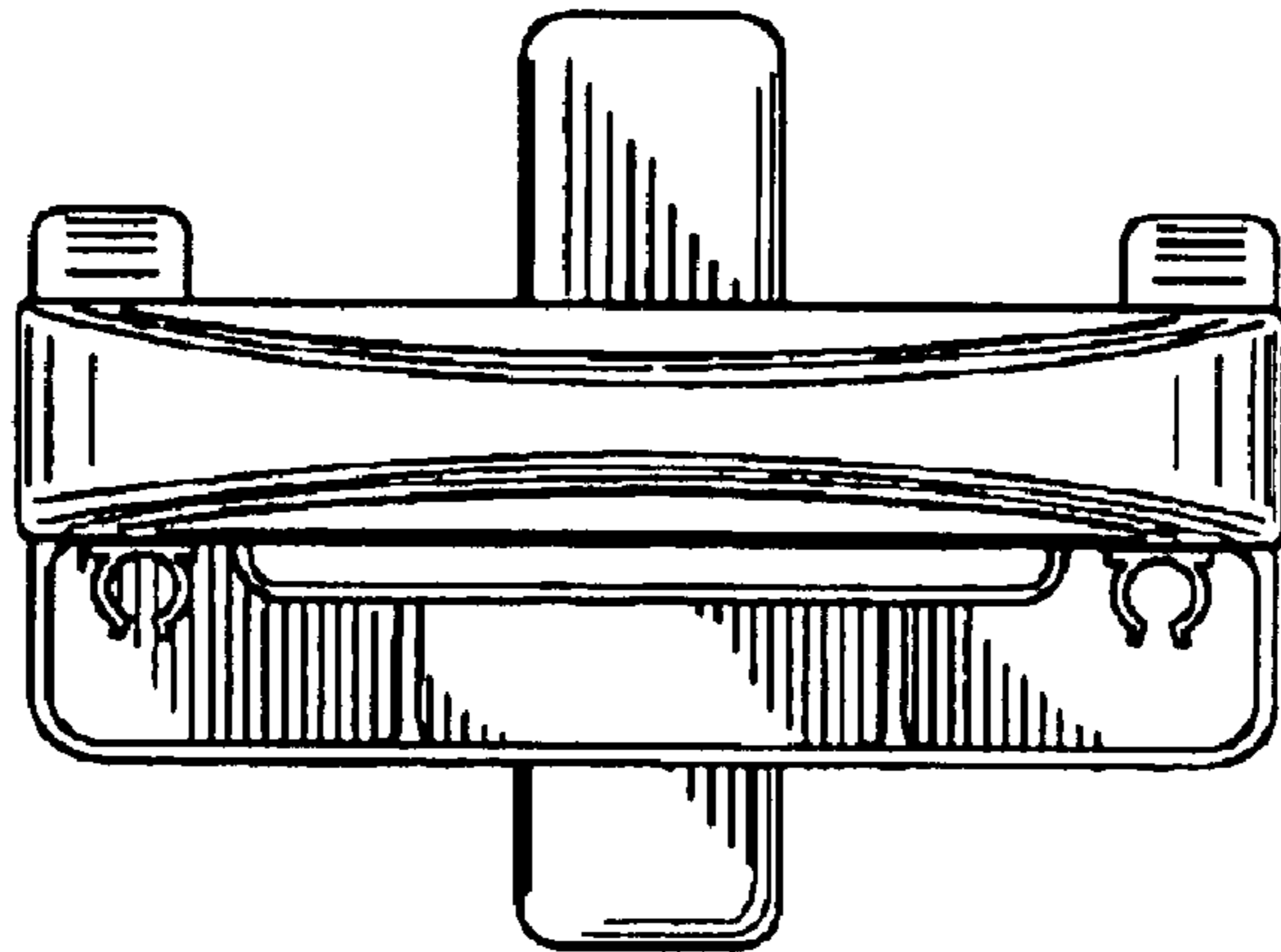


Fig. 7

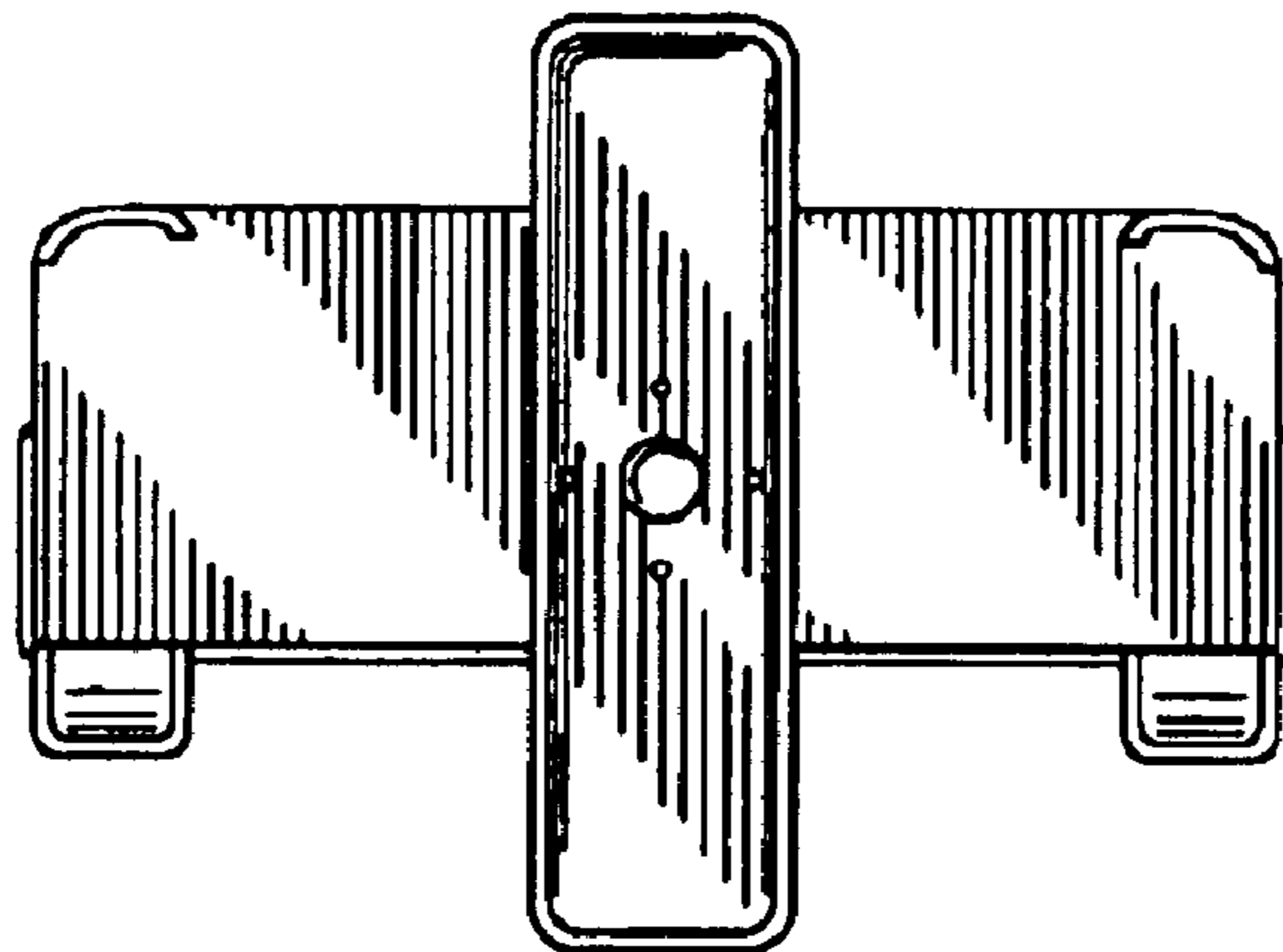


Fig. 8