

US00D508760S

(12) **United States Design Patent** (10) **Patent No.:** **US D508,760 S**
Berti (45) **Date of Patent:** **** Aug. 23, 2005**

(54) **DUST PAN**

(75) Inventor: **Enzo Berti**, Dolo (IT)

(73) Assignee: **The Libman Company**, Arcola, IL (US)

(**) Term: **14 Years**

(21) Appl. No.: **29/216,597**

(22) Filed: **Nov. 4, 2004**

(51) **LOC (8) Cl.** **07-05**

(52) **U.S. Cl.** **D32/74**

(58) **Field of Search** D32/74; D8/10; D30/162; 15/257.1, 257.2, 257.3, 257.6, 257.8, 257.9; 294/1.3, 55

(56) **References Cited**

U.S. PATENT DOCUMENTS

- 190,499 A * 5/1877 Lauback 15/257.1
- D427,739 S * 7/2000 Demore D32/74
- D470,289 S * 2/2003 Petner D32/74
- D481,504 S * 10/2003 Libman et al. D32/74

OTHER PUBLICATIONS

Heavy Duty Steel Dust Pan, LIBMAN Professional Cleaning Catalog [online], © 2003 [retrieved Mar. 10, 2005]. Retrieved from the Internet: <URL: www.libmanjansan.com/catalog>.*

* cited by examiner

Primary Examiner—Alan P. Douglas
Assistant Examiner—Lavone D. Tabor
(74) *Attorney, Agent, or Firm*—Banne & Witcoff, Ltd.

(57) **CLAIM**

The ornamental design for a dust pan, as shown and described.

DESCRIPTION

FIG. 1 is a perspective view of a dust pan showing my new design;

FIG. 2 is front view thereof;

FIG. 3 is a rear view thereof;

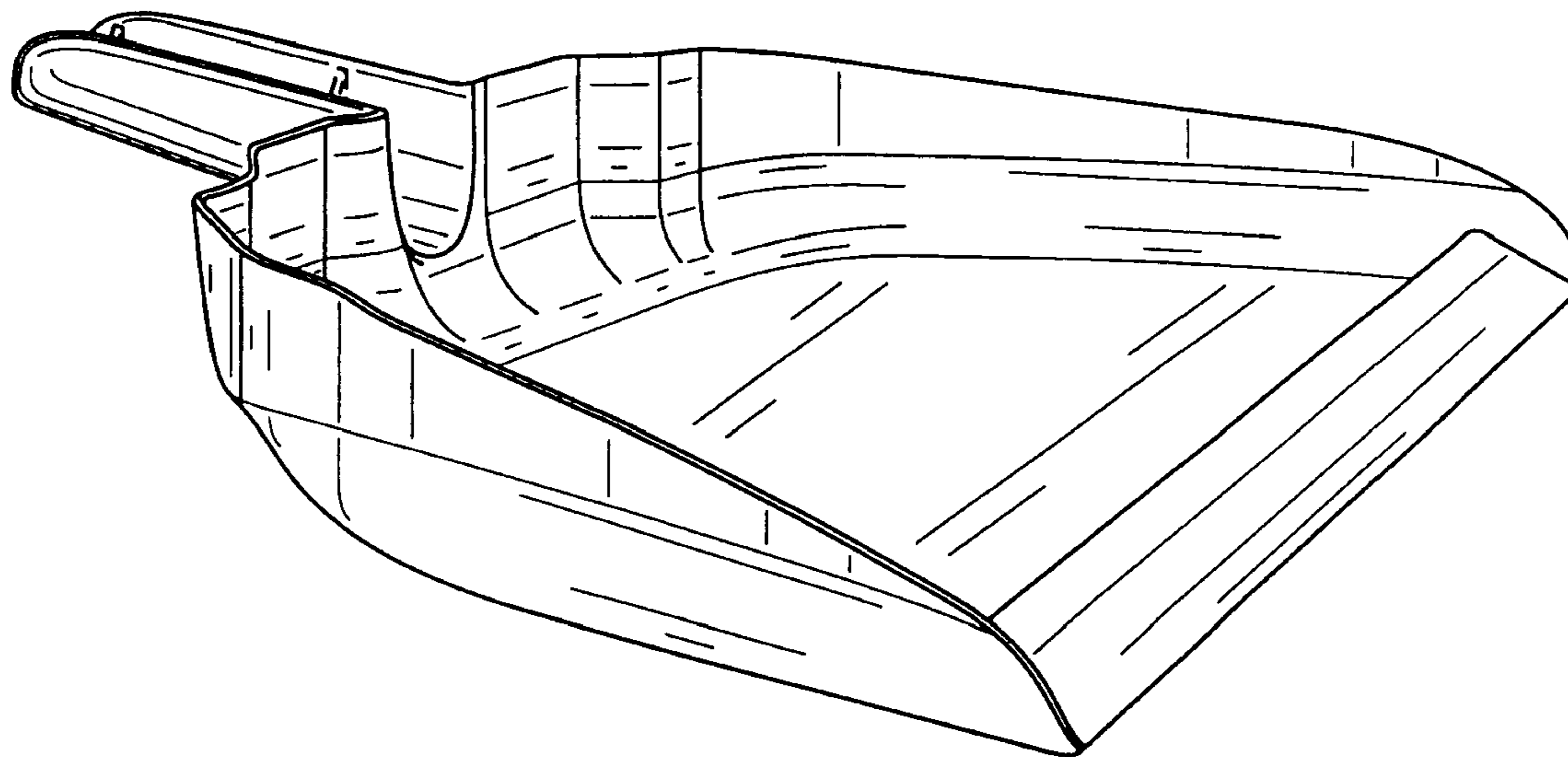
FIG. 4 is a right side view thereof, the left side being a mirror image thereof;

FIG. 5 is a top view thereof; and,

FIG. 6 is a bottom view thereof.

The broken line showing of the oval hole and the horseshoe-shaped members in the handle are for illustrative purposes only and form no part of the claimed design. The broken line showing of the bottom face of the dust pan in FIG. 6 is for illustrative purposes only and forms no part of the claimed design.

1 Claim, 4 Drawing Sheets



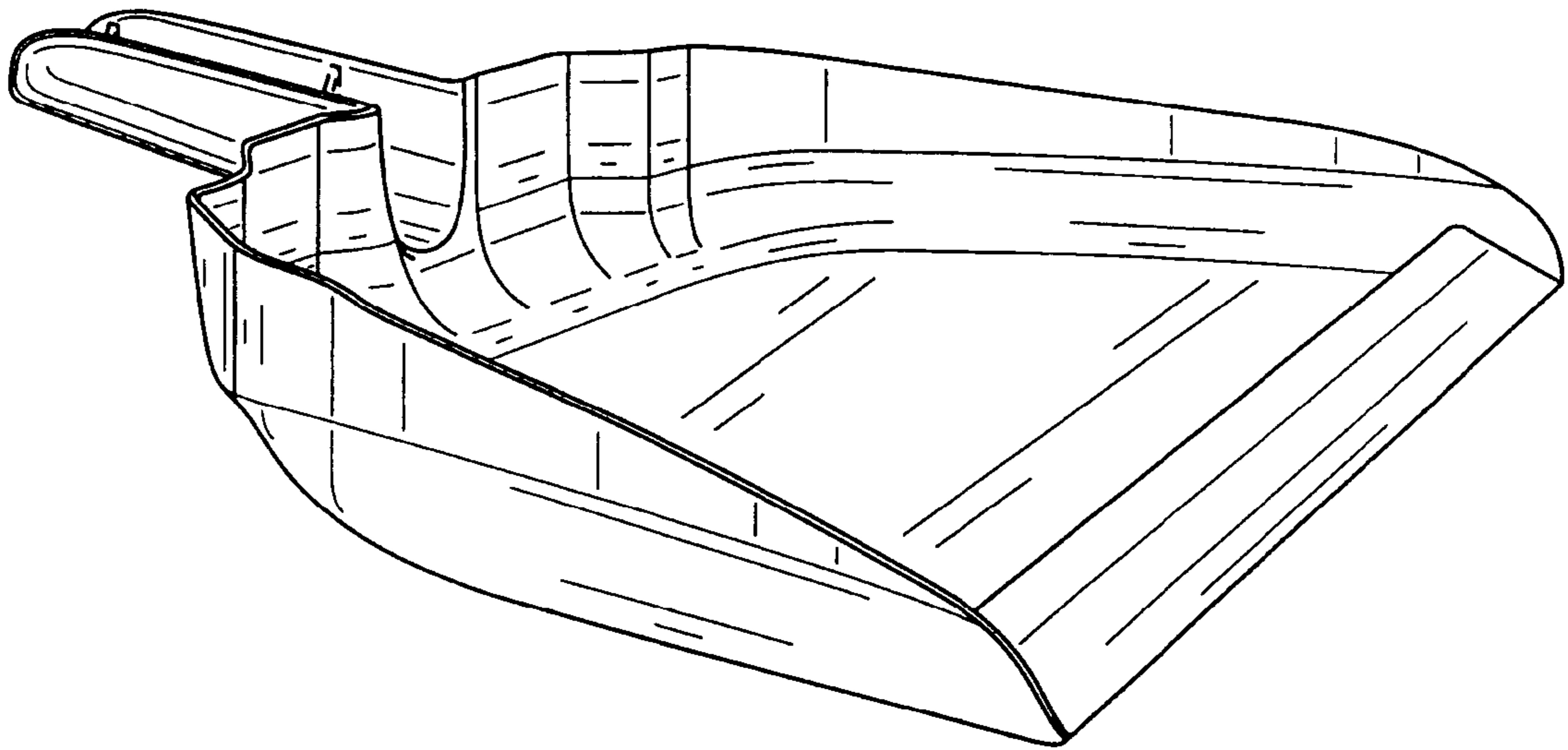


FIG. 1

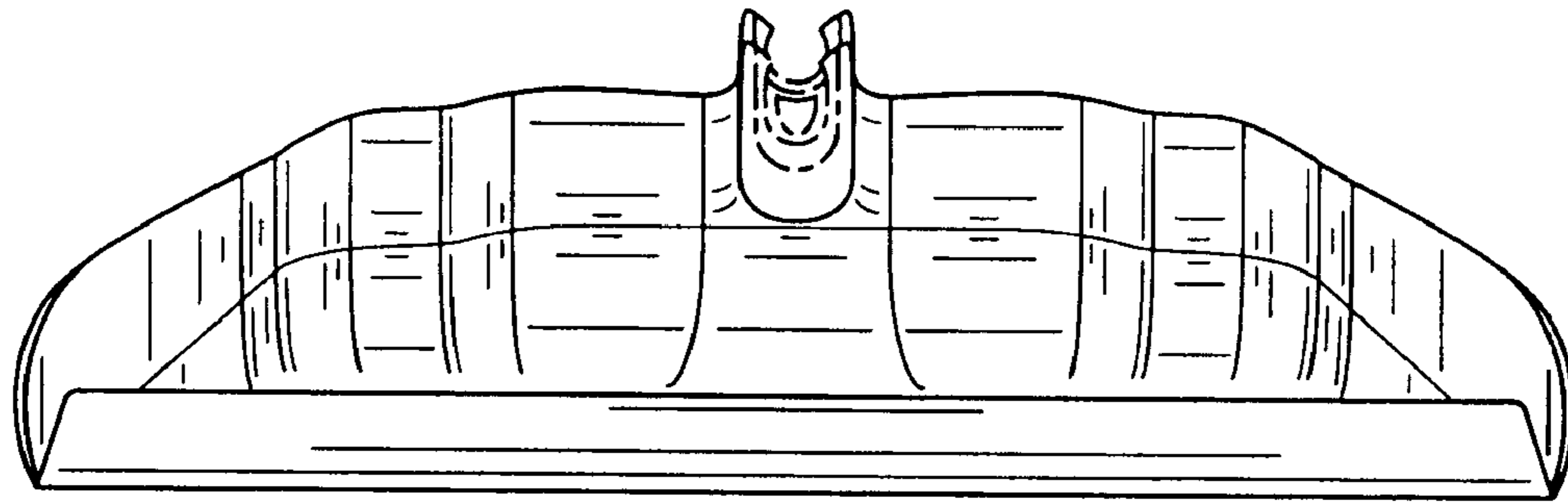


FIG. 2

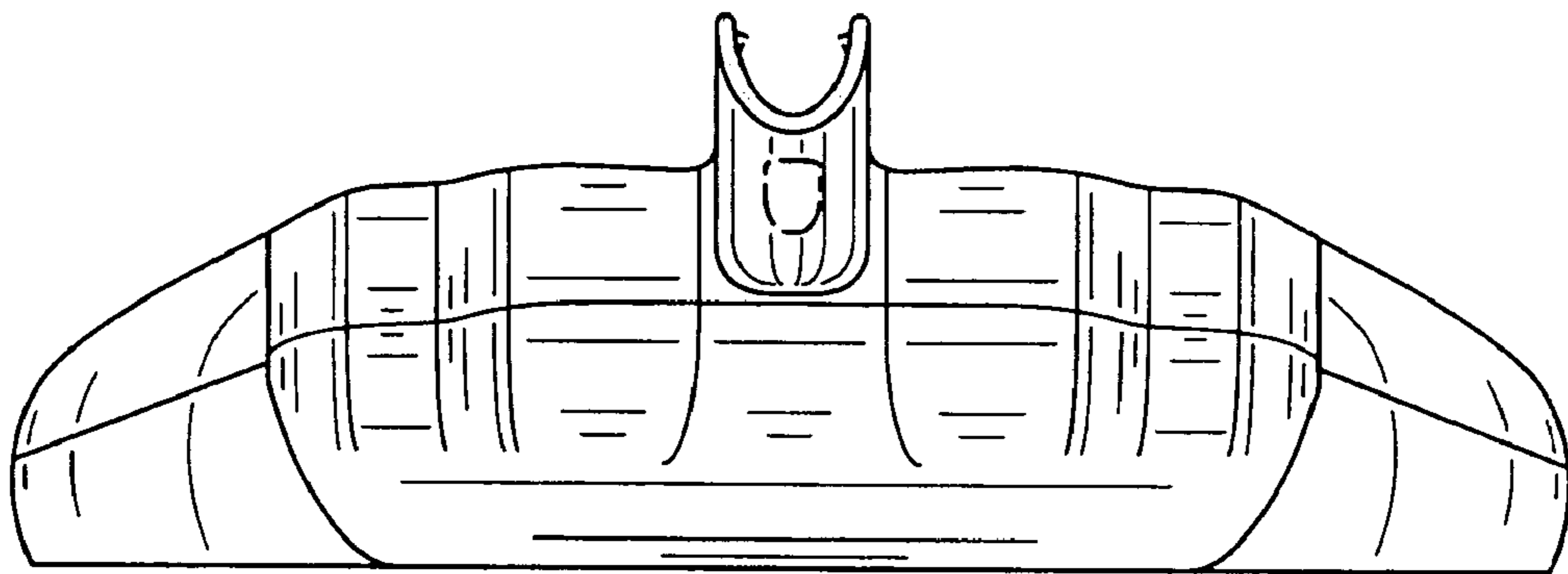


FIG. 3

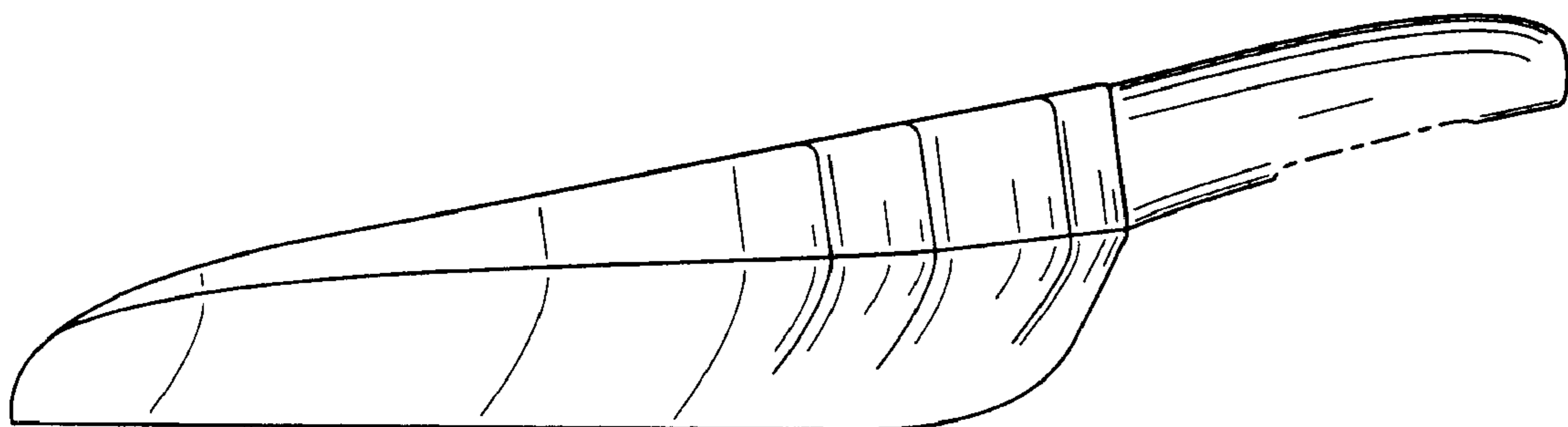


FIG. 4

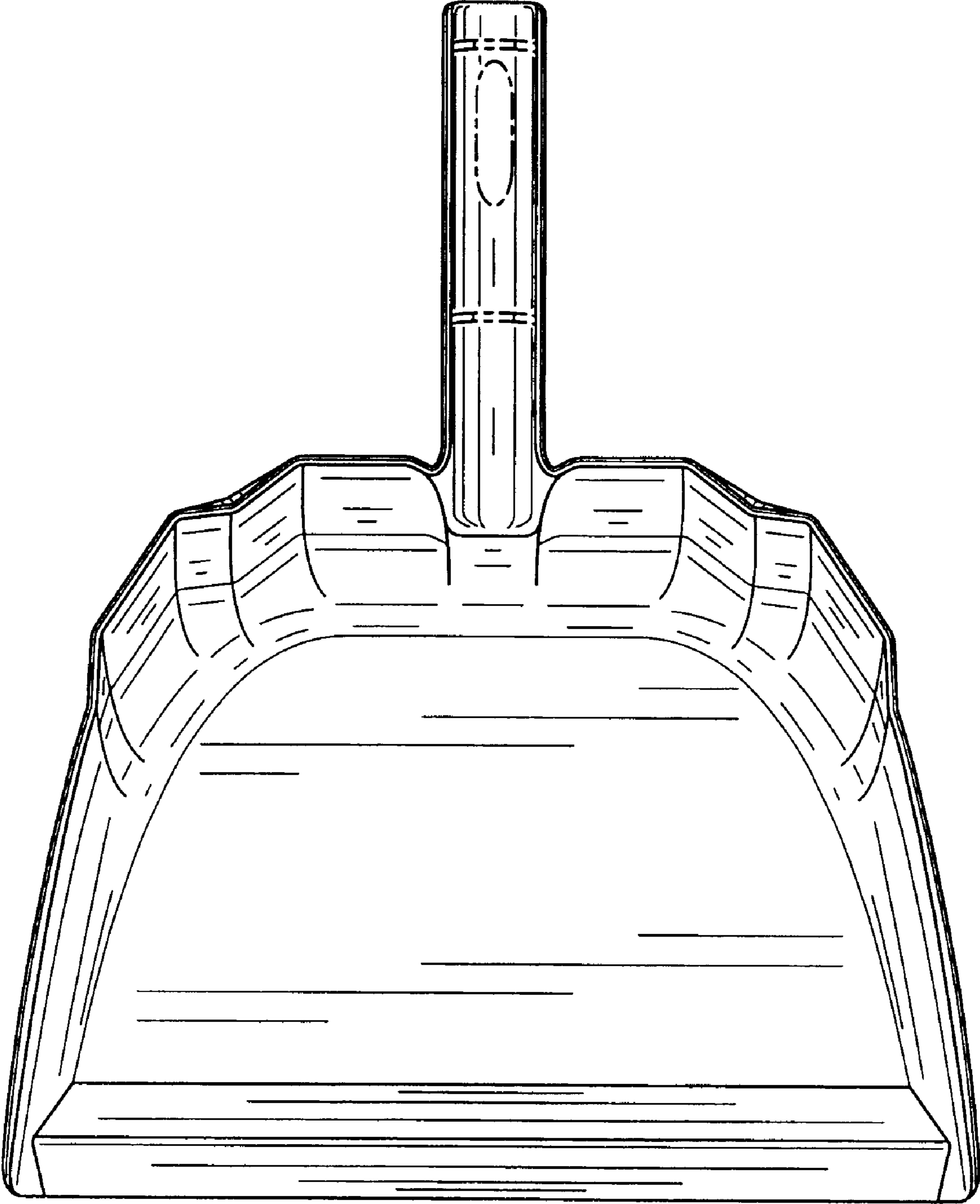


FIG. 5

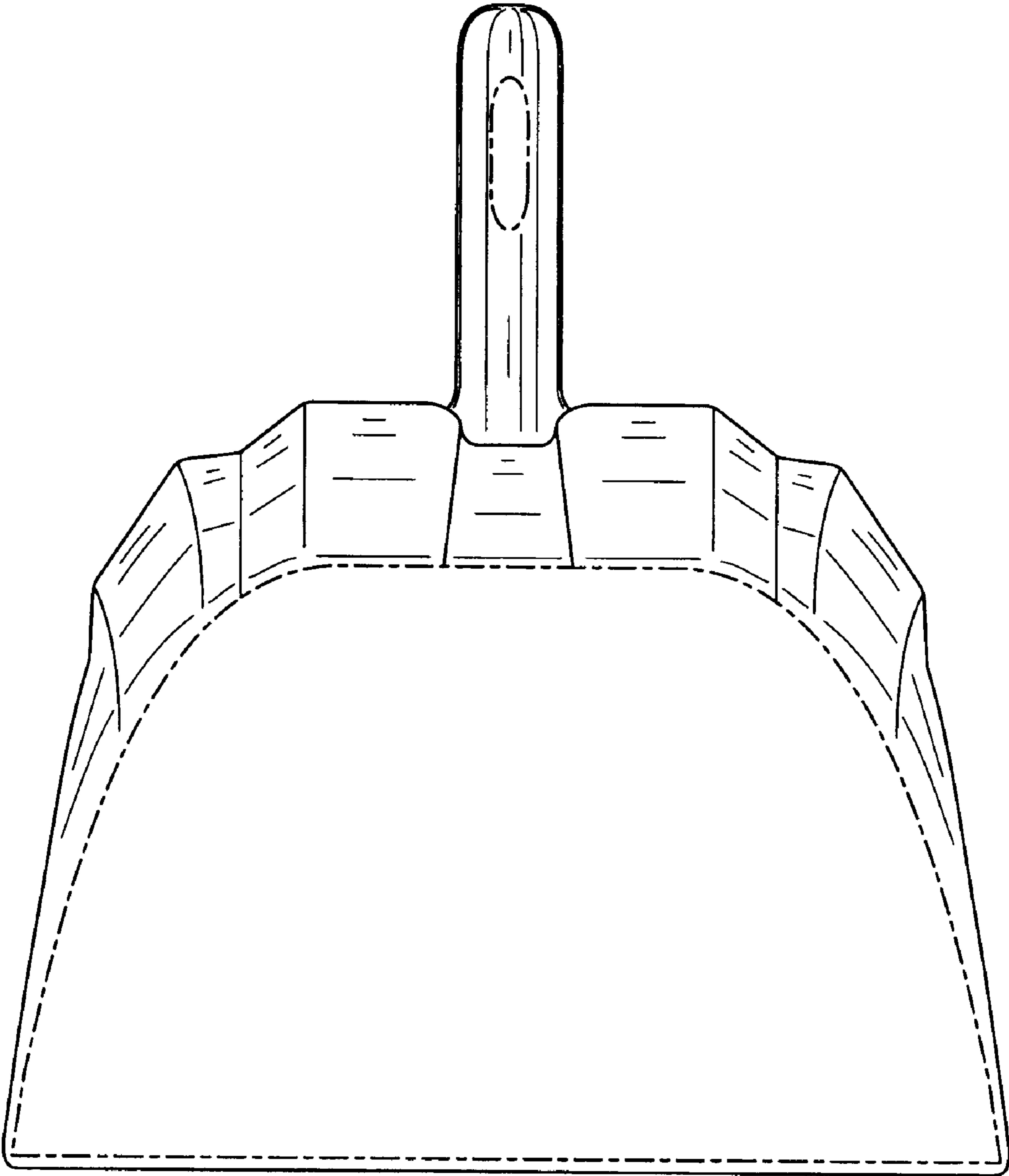


FIG. 6