

US00D508759S

(12) **United States Design Patent** (10) **Patent No.:** **US D508,759 S**  
**Boyer et al.** (45) **Date of Patent:** **\*\* Aug. 23, 2005**

(54) **MOP PLATE**

(75) Inventors: **Chris Boyer**, Oak Park, IL (US);  
**Miroslav Vuckovic**, Skokie, IL (US)

(73) Assignee: **Freudenberg Household Products LP**,  
Northlake, IL (US)

(\*\*) Term: **14 Years**

(21) Appl. No.: **29/187,676**

(22) Filed: **Aug. 5, 2003**

(51) **LOC (8) Cl.** ..... **04-01**

(52) **U.S. Cl.** ..... **D32/50**

(58) **Field of Search** ..... D32/35, 40, 44,  
D32/50, 51, 52; 15/119.1, 119.2, 116.1,  
116.2, 147.2, 228, 229, 229.4, 229.6, 244.3

(56) **References Cited**

**U.S. PATENT DOCUMENTS**

2,699,563 A	1/1955	Duncan	
2,730,744 A	1/1956	Vaughn	
2,733,467 A	2/1956	Garro	
2,779,959 A	2/1957	Hvale	
2,790,983 A *	5/1957	Merino	401/206
2,852,794 A	9/1958	Blum	
2,888,701 A *	6/1959	Twerdahl	15/244.1
2,892,201 A	6/1959	Peterson et al.	
2,893,033 A *	7/1959	Vosbikian et al.	15/144.2
2,912,710 A *	11/1959	Vosbikian et al.	15/244.1
2,959,799 A	11/1960	Greenleaf et al.	
3,023,438 A *	3/1962	Trentel	15/119.2
3,031,705 A *	5/1962	Herman et al.	15/119.2
3,050,761 A *	8/1962	Morgan	15/119.2
D205,500 S *	8/1966	Deitel et al.	D32/44
3,465,377 A *	9/1969	Thomas	15/147.1
5,042,105 A	8/1991	Buck et al.	
5,131,111 A	7/1992	Richardson et al.	

5,272,783 A	12/1993	Richardson et al.	
5,438,727 A	8/1995	Specht	
5,522,110 A	6/1996	Borofsky	
5,530,982 A	7/1996	Specht	
D381,150 S *	7/1997	Berti	D32/50
5,887,309 A	3/1999	Lin	
5,979,004 A	11/1999	Wilson	
6,000,087 A	12/1999	Petner	
6,217,244 B1	4/2001	Chen et al.	
6,260,226 B1	7/2001	Specht	
6,487,745 B2	12/2002	Specht	
2003/0101527 A1	6/2003	Specht et al.	

**FOREIGN PATENT DOCUMENTS**

CA	767342	9/1967
GB	932579	7/1963
WO	WO 99/09876	3/1999

\* cited by examiner

*Primary Examiner*—Cynthia E. Ramirez

(74) *Attorney, Agent, or Firm*—Leydig, Voit & Mayer, Ltd.

(57) **CLAIM**

The ornamental design for a mop plate, as shown and described.

**DESCRIPTION**

The plate illustrated in the following drawings is useful for instance as a sponge backing plate on a cleaning implement of the type commercially used as a “butterfly sponge mop.” FIG. 1 is perspective view of the mop plate; FIG. 2 is a top plan view of the mop plate; FIG. 3 is a first side elevational view of the mop plate; FIG. 4 is a second side elevational view of the mop plate; FIG. 5 is a front elevational view of the mop plate; FIG. 6 is a rear elevational view of the mop plate; and, FIG. 7 is a bottom plan view of the mop plate.

**1 Claim, 3 Drawing Sheets**

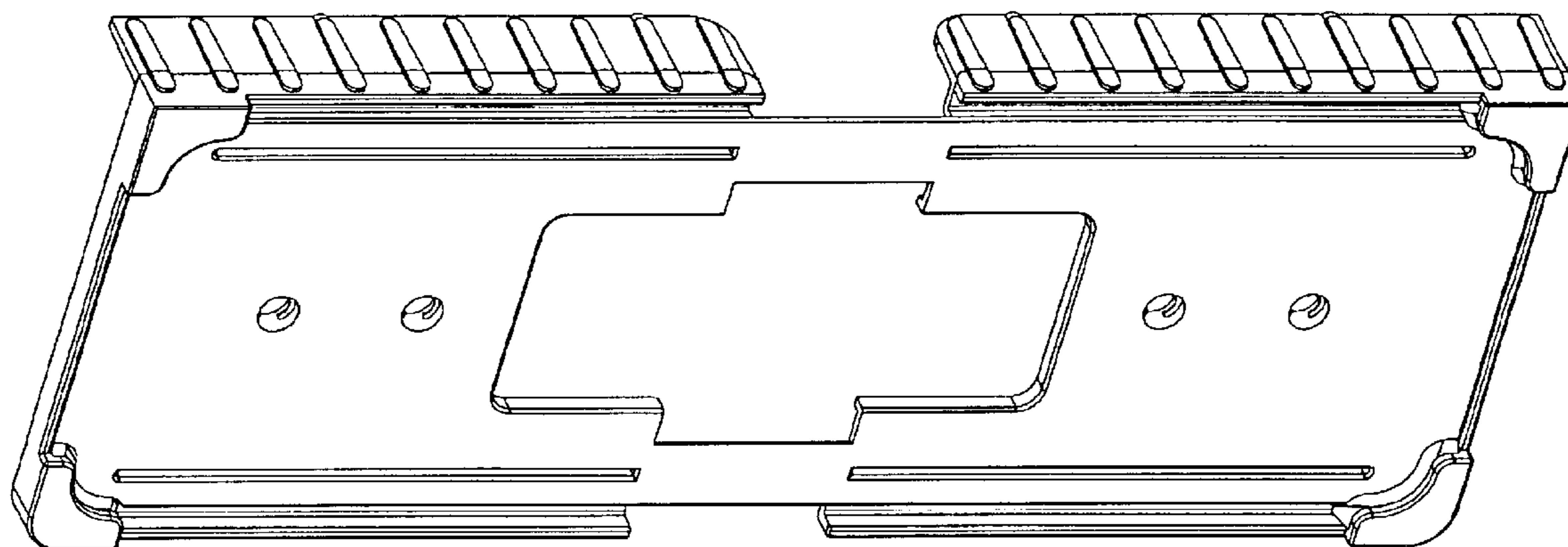


FIG. 1

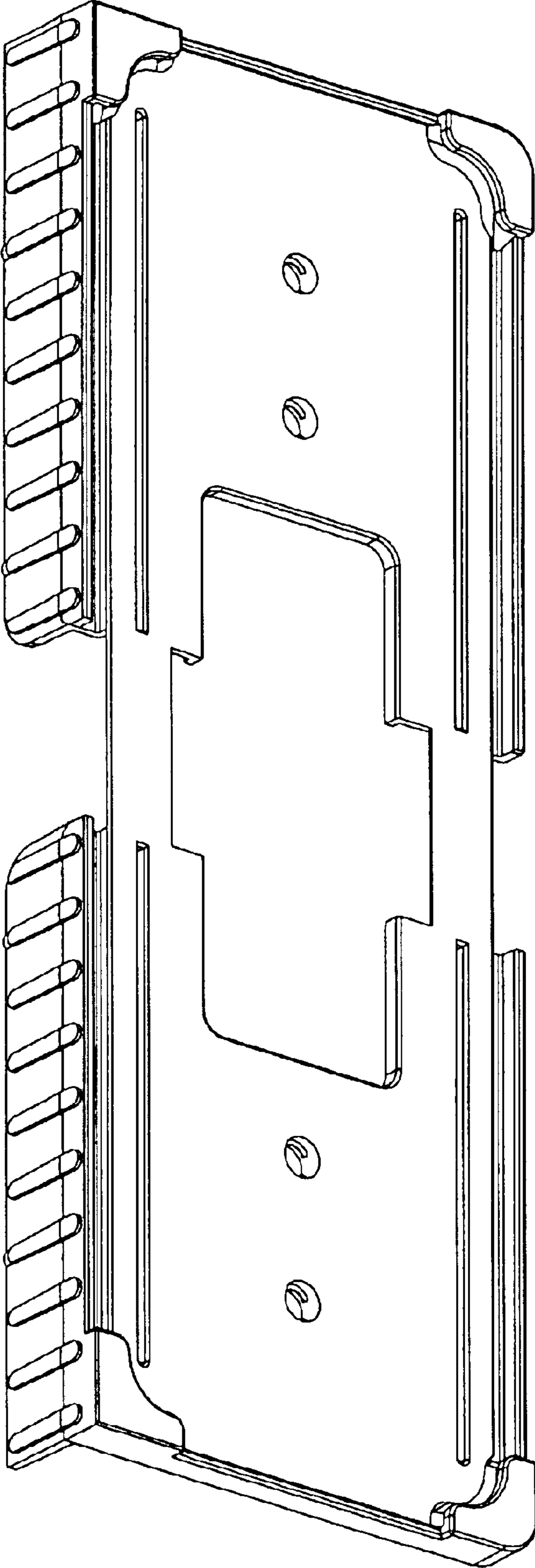


FIG. 5

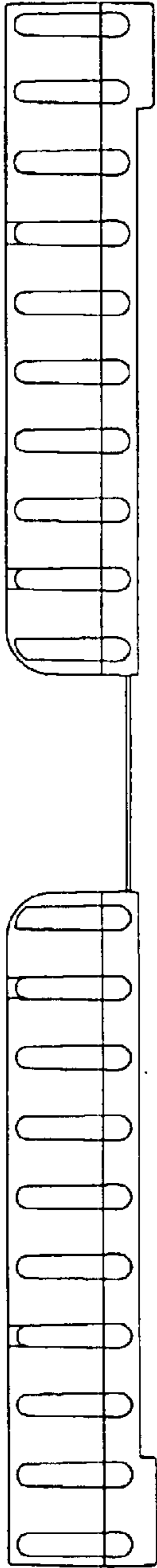


FIG. 2

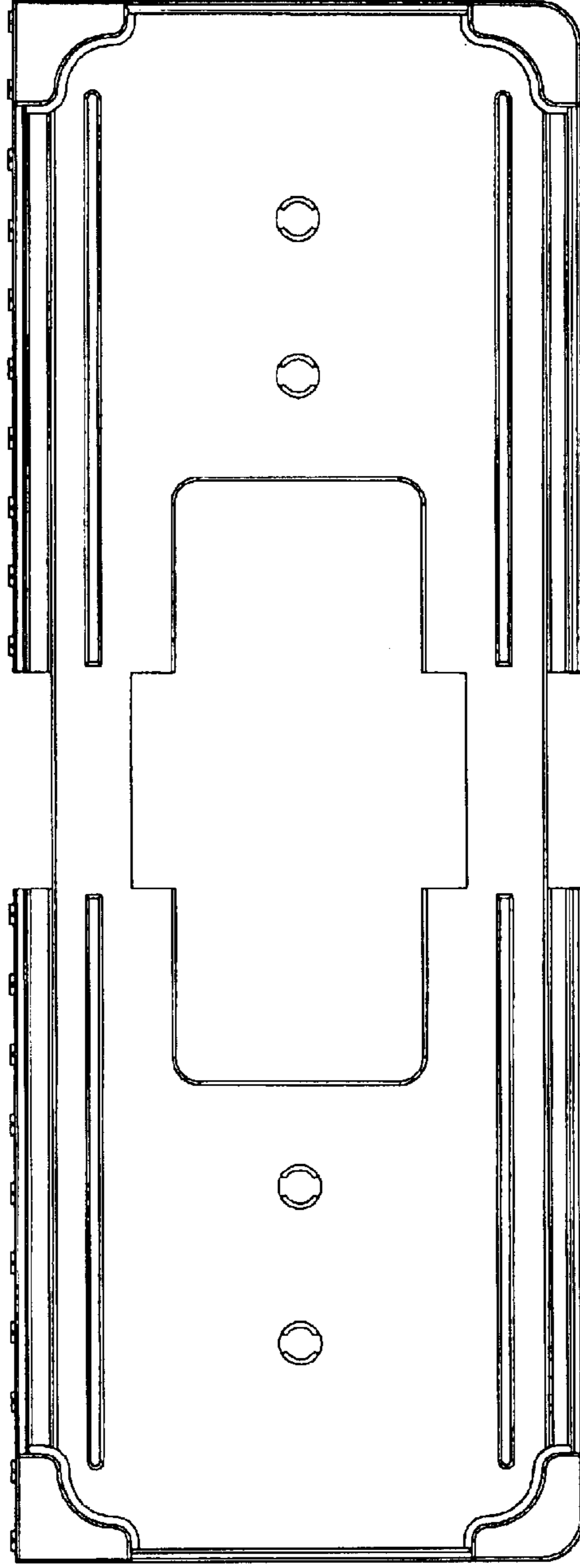


FIG. 3

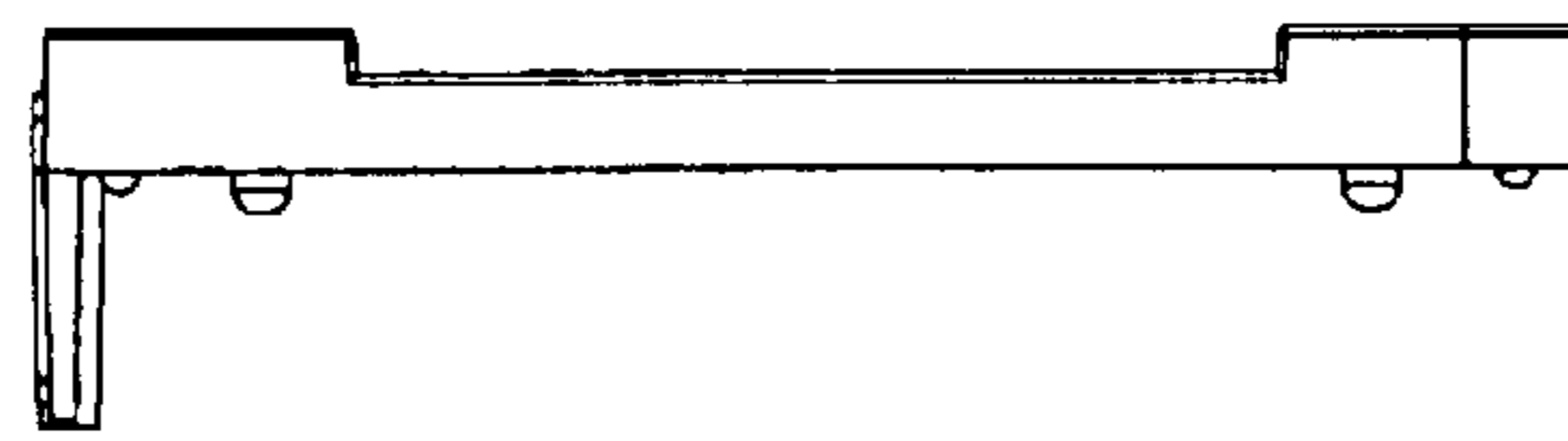


FIG. 4

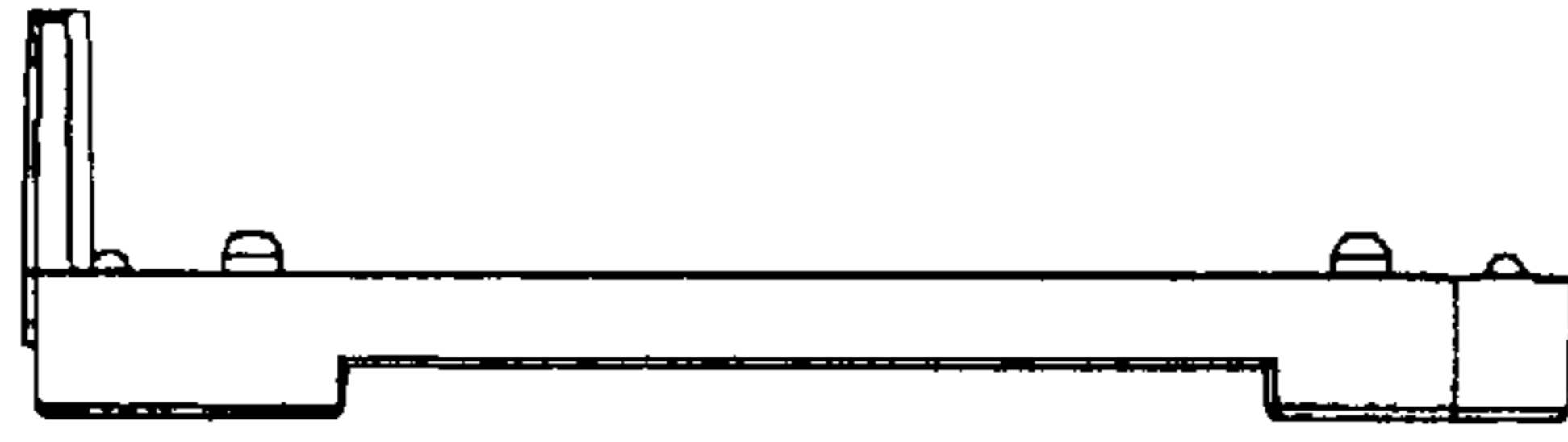


FIG. 6

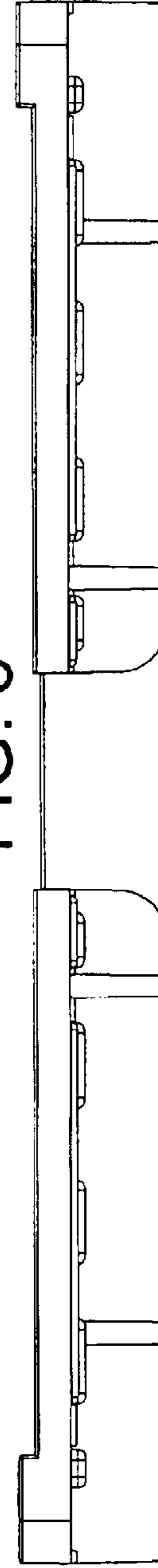
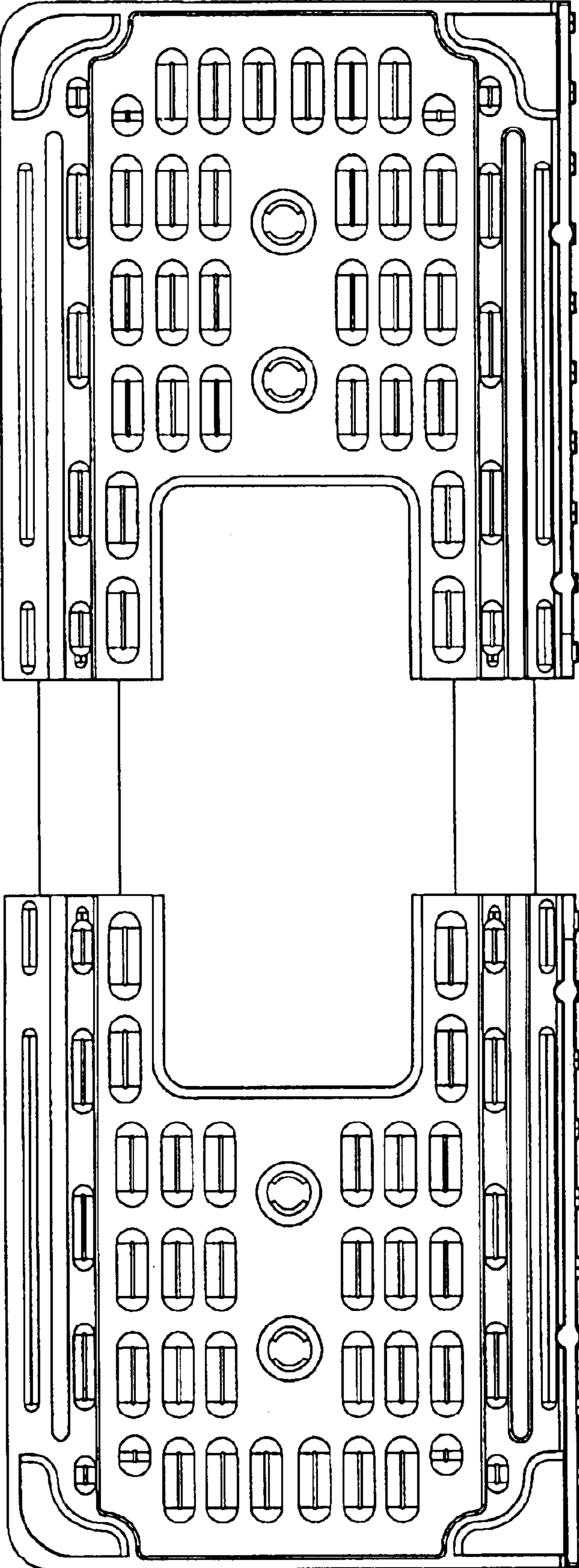


FIG. 7



UNITED STATES PATENT AND TRADEMARK OFFICE  
**CERTIFICATE OF CORRECTION**

PATENT NO. : Des. 508,759 S  
DATED : August 23, 2005  
INVENTOR(S) : Boyer et al.

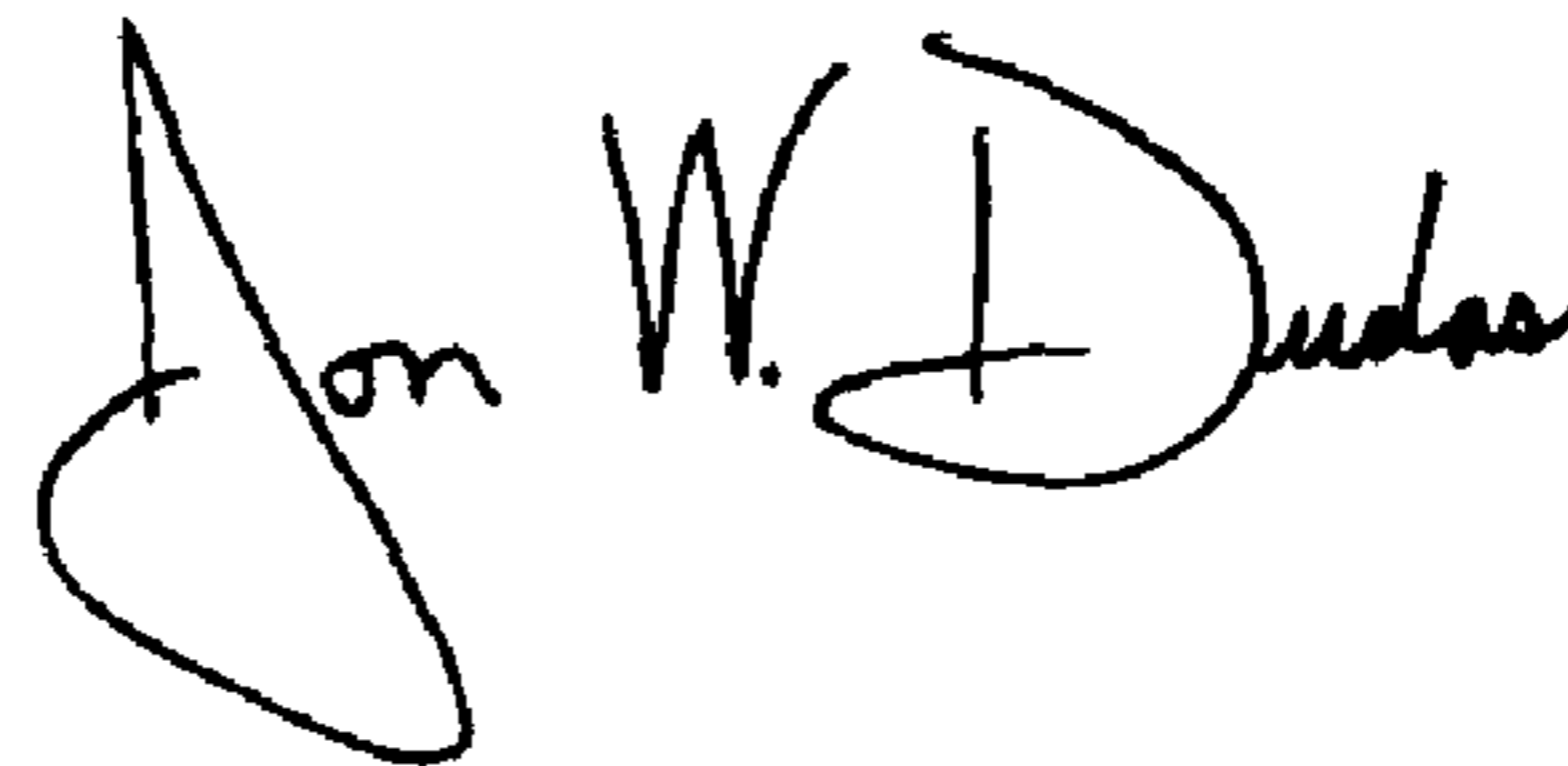
Page 1 of 1

It is certified that error appears in the above-identified patent and that said Letters Patent is hereby corrected as shown below:

Title page,  
Item [57], **DESCRIPTION,**  
Line 3, "commercrially" should be -- commercially --.

Signed and Sealed this

Eighth Day of November, 2005

A handwritten signature in black ink that reads "Jon W. Dudas". The signature is written in a cursive style with a large, looped initial "J".

JON W. DUDAS  
*Director of the United States Patent and Trademark Office*