



US00D508758S

(12) **United States Design Patent** (10) **Patent No.:** **US D508,758 S**
Jarke et al. (45) **Date of Patent:** **** Aug. 23, 2005**

(54) **CONTAINER**

(75) Inventors: **Joseph M. Jarke**, Austin, TX (US);
Keith H. Gausmann, Westerville, OH (US);
Jeffrey W. Mulhausen, Austin, TX (US);
Paul D. Kramer, Austin, TX (US)

(73) Assignee: **RJ Product Development Inc.**, Austin, TX (US)

(**) Term: **14 Years**

(21) Appl. No.: **29/187,633**

(22) Filed: **Aug. 5, 2003**

(51) **LOC (8) Cl.** **30-03**

(52) **U.S. Cl.** **D30/132**; 119/51.5; 119/53.5; 119/54

(58) **Field of Search** D30/121-22, 127, D30/132-33; 119/51.11, 51.01, 52.1, 51.15, 51.5, 53, 57.5, 56.1, 57.91, 61.55, 61.57

(56) **References Cited**

U.S. PATENT DOCUMENTS

4,497,280	A	*	2/1985	Sanstrom et al.	119/51.11
4,522,152	A	*	6/1985	Meyer	119/56.1
5,033,412	A		7/1991	Brennan et al.	119/72
5,555,842	A	*	9/1996	Chocola et al.	119/51.11
5,606,934	A	*	3/1997	Brisby	119/53.5
6,227,143	B1	*	5/2001	Papkov	119/51.11
6,257,288	B1	*	7/2001	Davidian et al.	141/324

* cited by examiner

Primary Examiner—Alan P. Douglas

Assistant Examiner—Susan M Lee

(74) *Attorney, Agent, or Firm*—Fulbright & Jaworski L.L.P.

(57) **CLAIM**

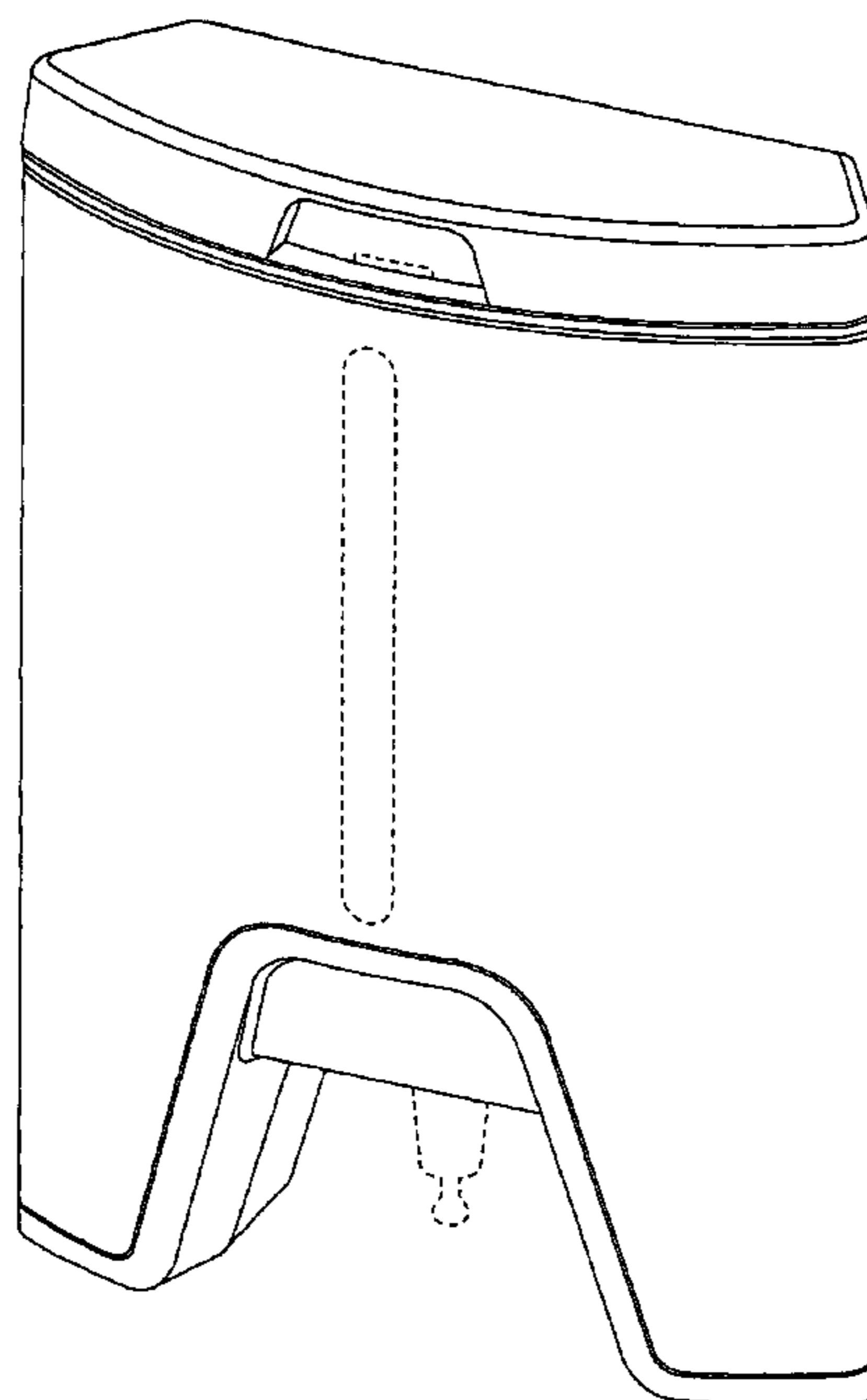
The ornamental design for a container, as shown and described.

DESCRIPTION

FIG. 1 is a frontal perspective view of a container showing a first embodiment of our design; FIG. 2 is rear perspective view of the container of FIG. 1; FIG. 3 is a front view of the container of FIG. 1; FIG. 4 is a rear view of the container of FIG. 1; FIG. 5 is a right side view of the container of FIG. 1, the left side view being a mirror image; FIG. 6 is a top view of the container of FIG. 1; FIG. 7 is a bottom view of the container of FIG. 1; FIG. 8 is a frontal perspective view of a container showing a second embodiment of our design; FIG. 9 is rear perspective view of the container of FIG. 8; FIG. 10 is a front view of the container of FIG. 8; FIG. 11 is a rear view of the container of FIG. 8; FIG. 12 is a right side view of the container of FIG. 8, the left side view being a mirror image; FIG. 13 is a top view of the container of FIG. 8; and, FIG. 14 is a bottom view of the container of FIG. 8.

The only difference between the first embodiment shown in FIGS. 1-7 and the second embodiment shown in FIGS. 8-14 is the presence of a front cover in the first embodiment (the front cover is absent from the second embodiment). The dotted lines shown in the figures represent environmental structure and form no part of the claimed design. Moreover, the surface(s) or portion(s) of the container not shown in the figures or otherwise described in the specification form(s) no part of the claimed design.

1 Claim, 14 Drawing Sheets



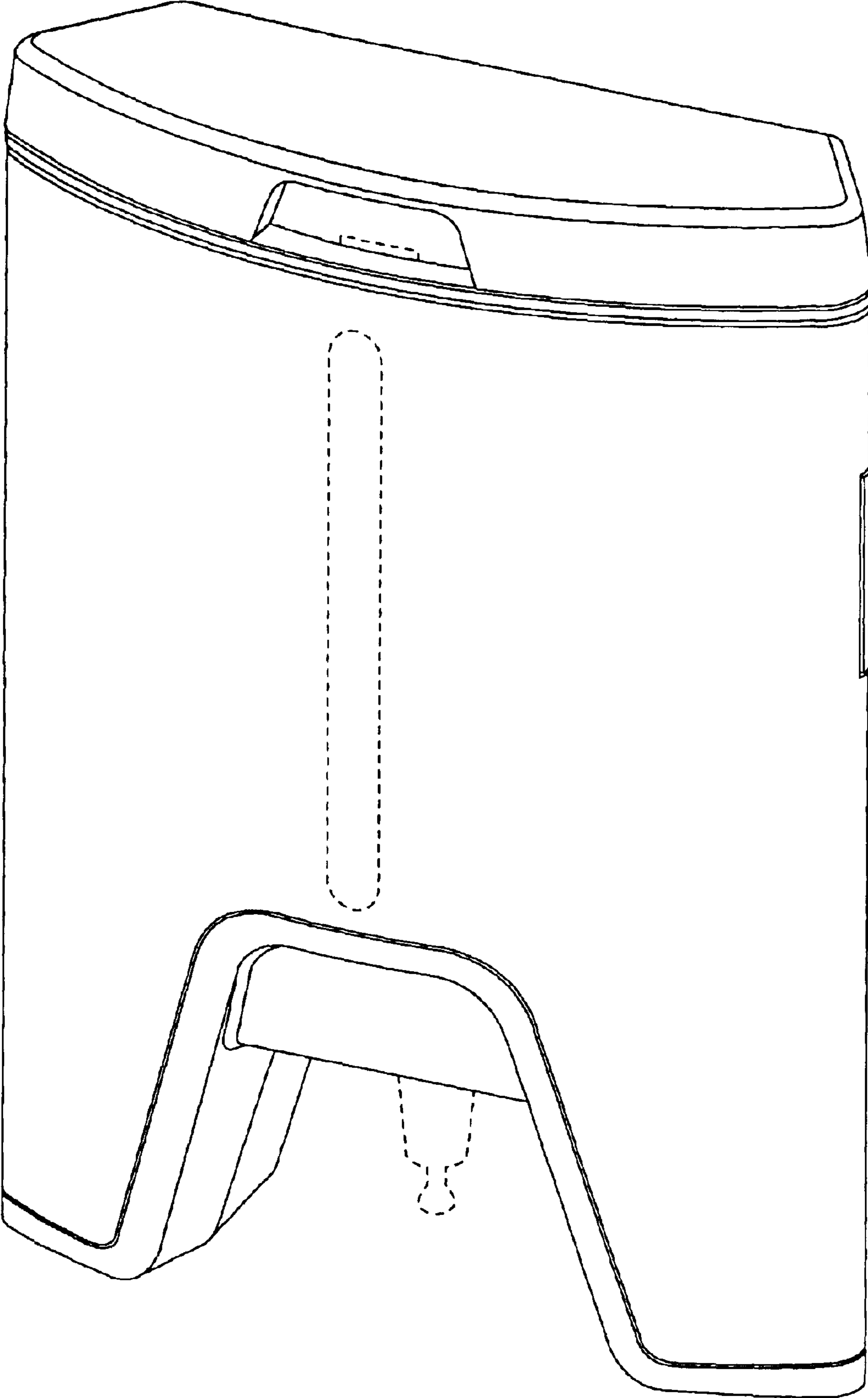


FIG. 1

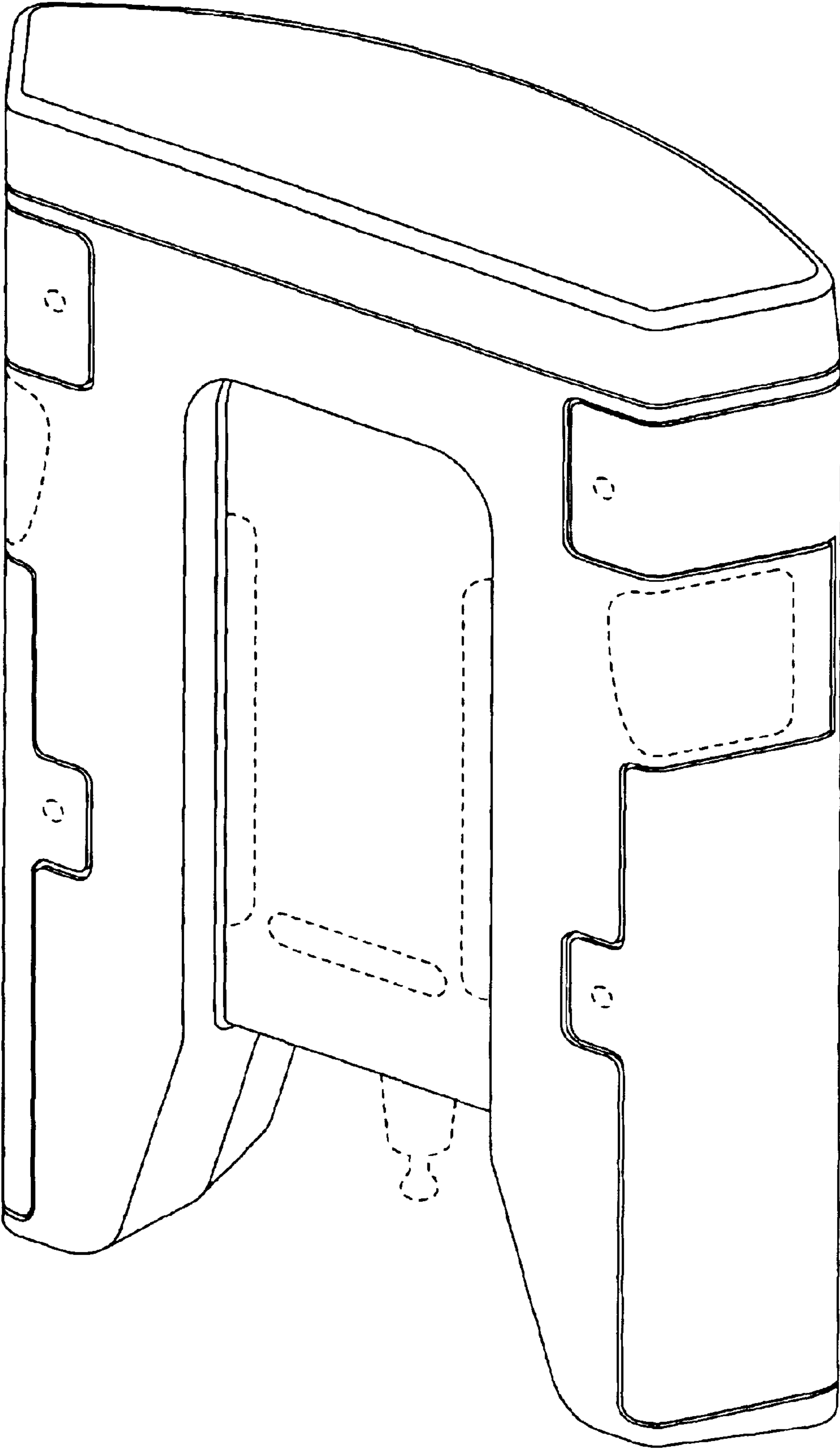


FIG. 2

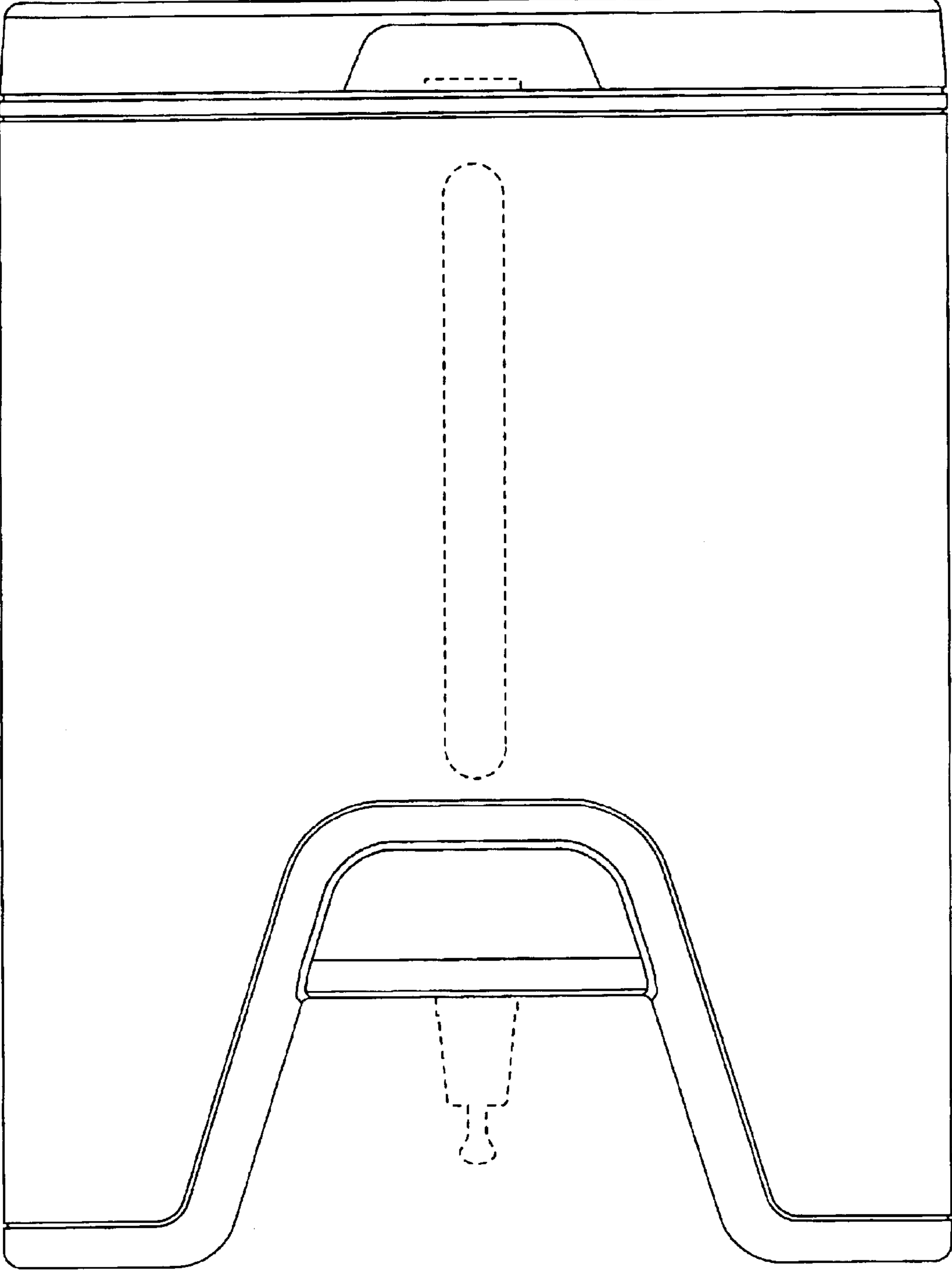


FIG. 3

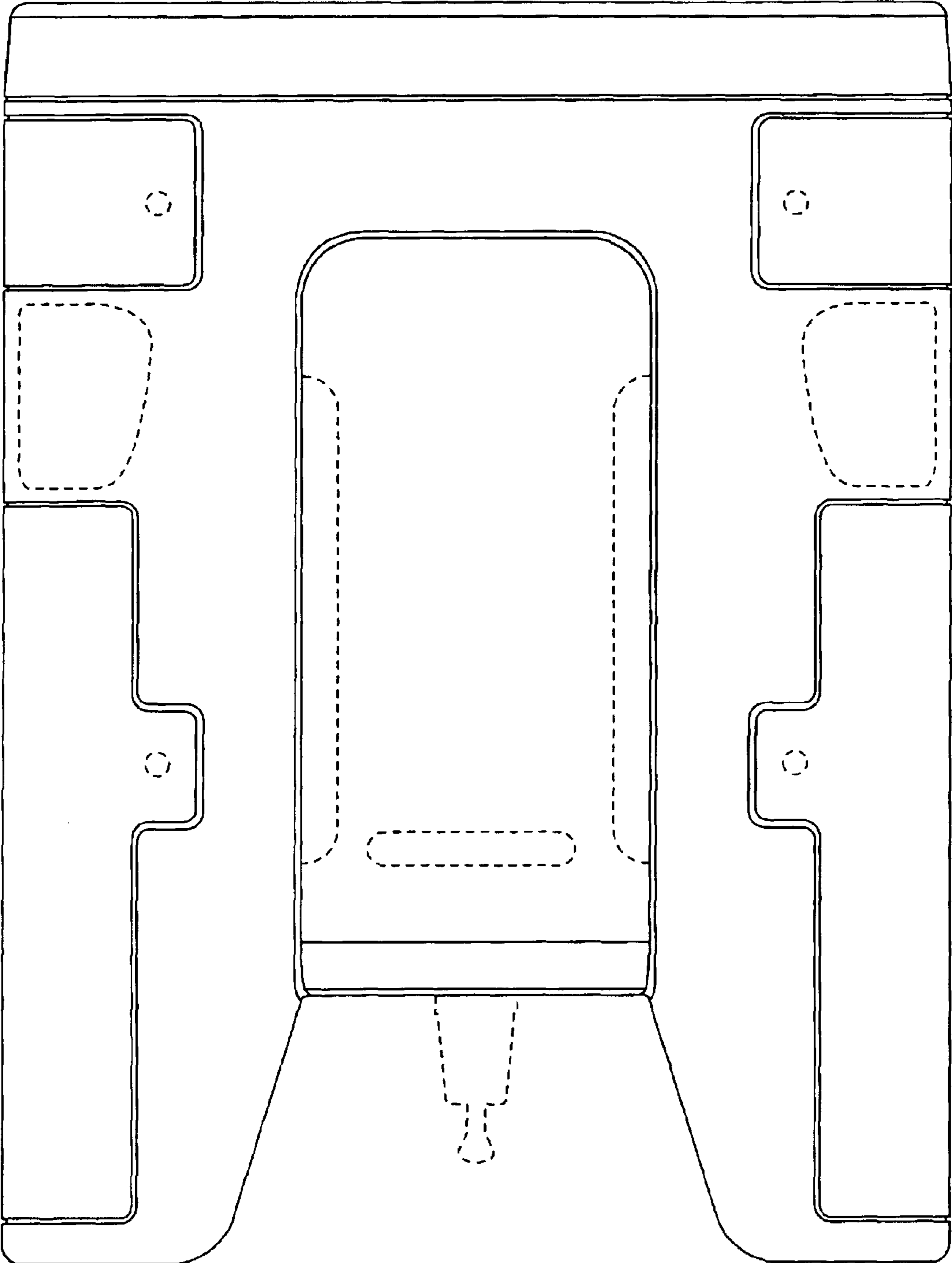


FIG. 4

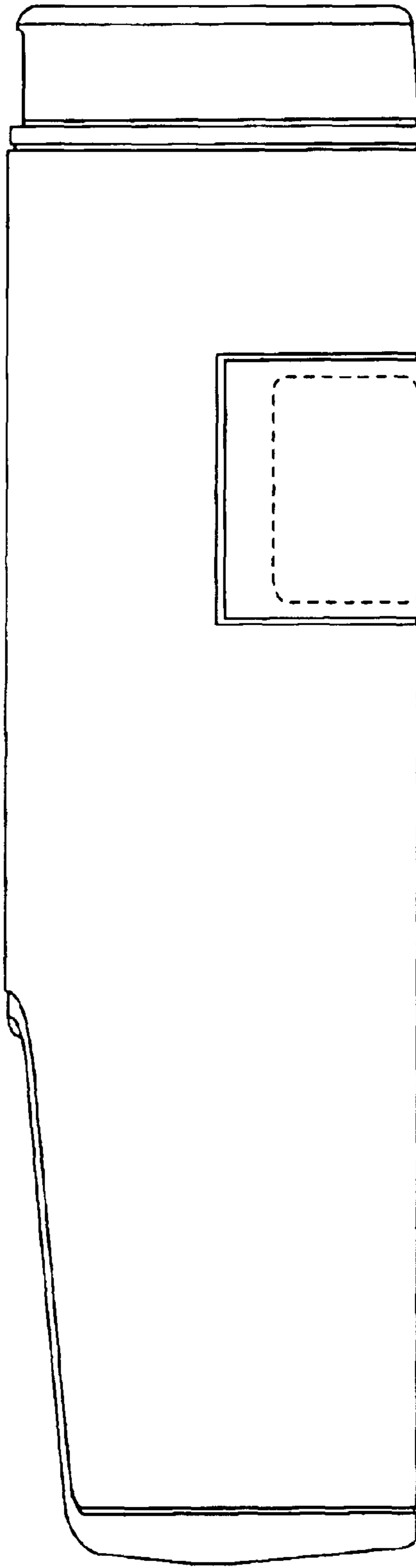


FIG. 5

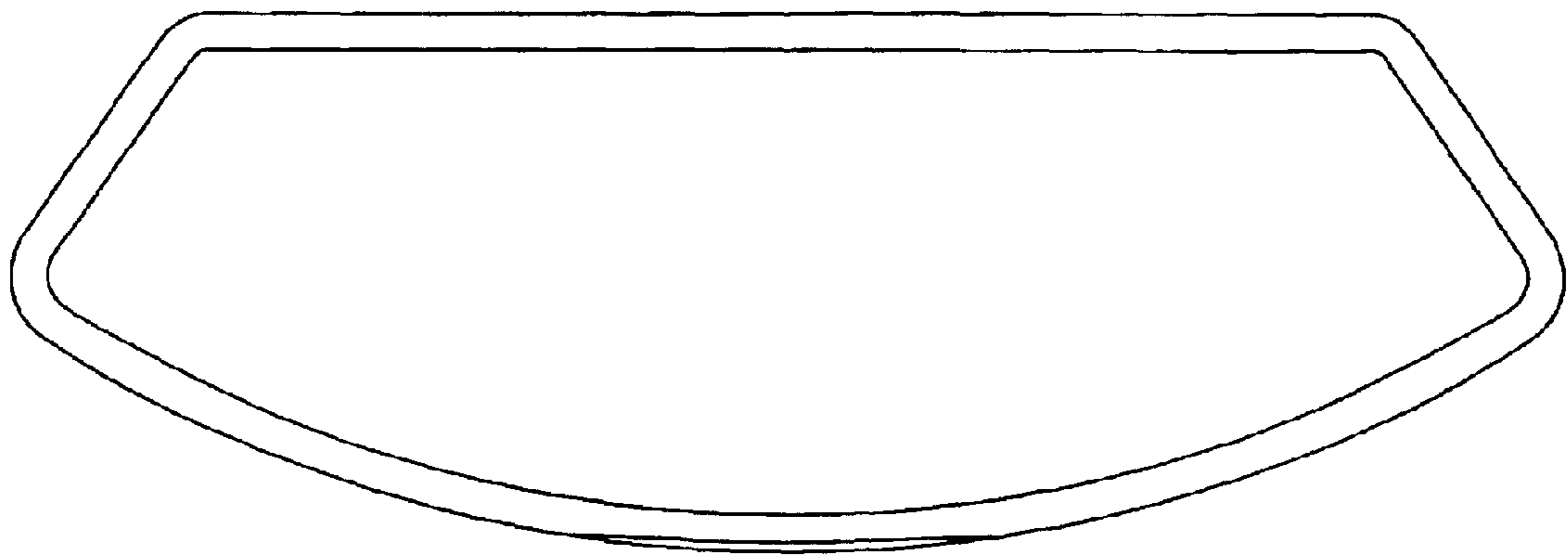


FIG. 6

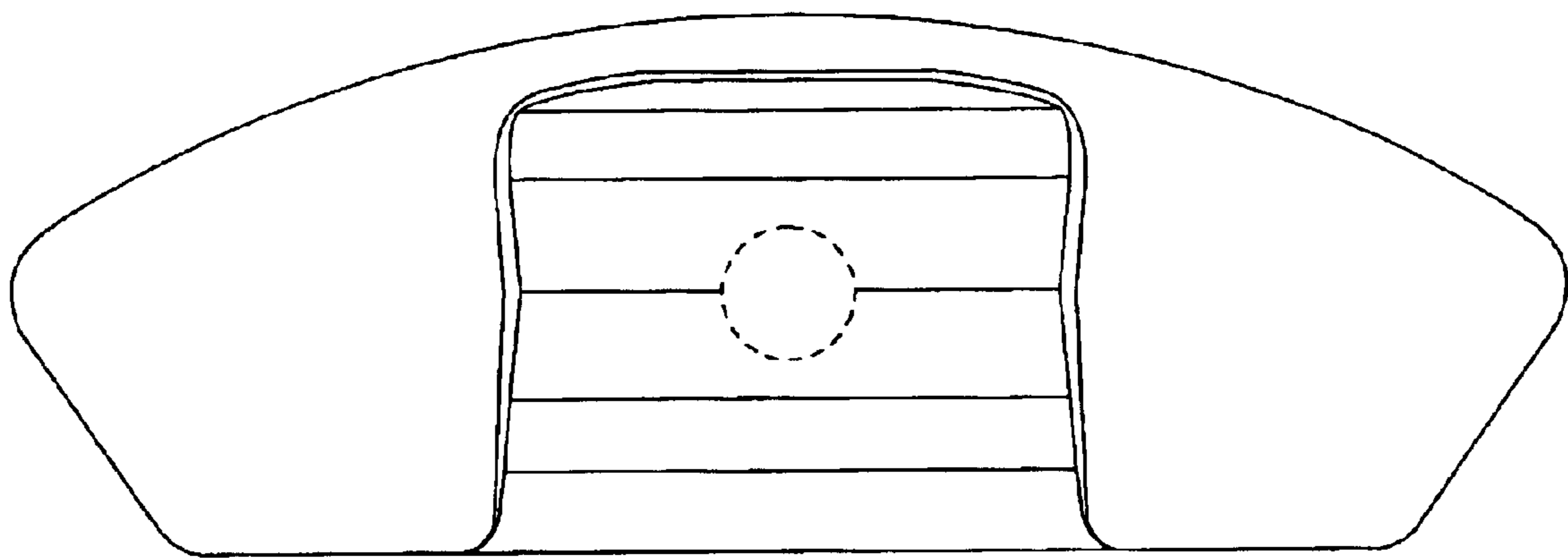


FIG. 7

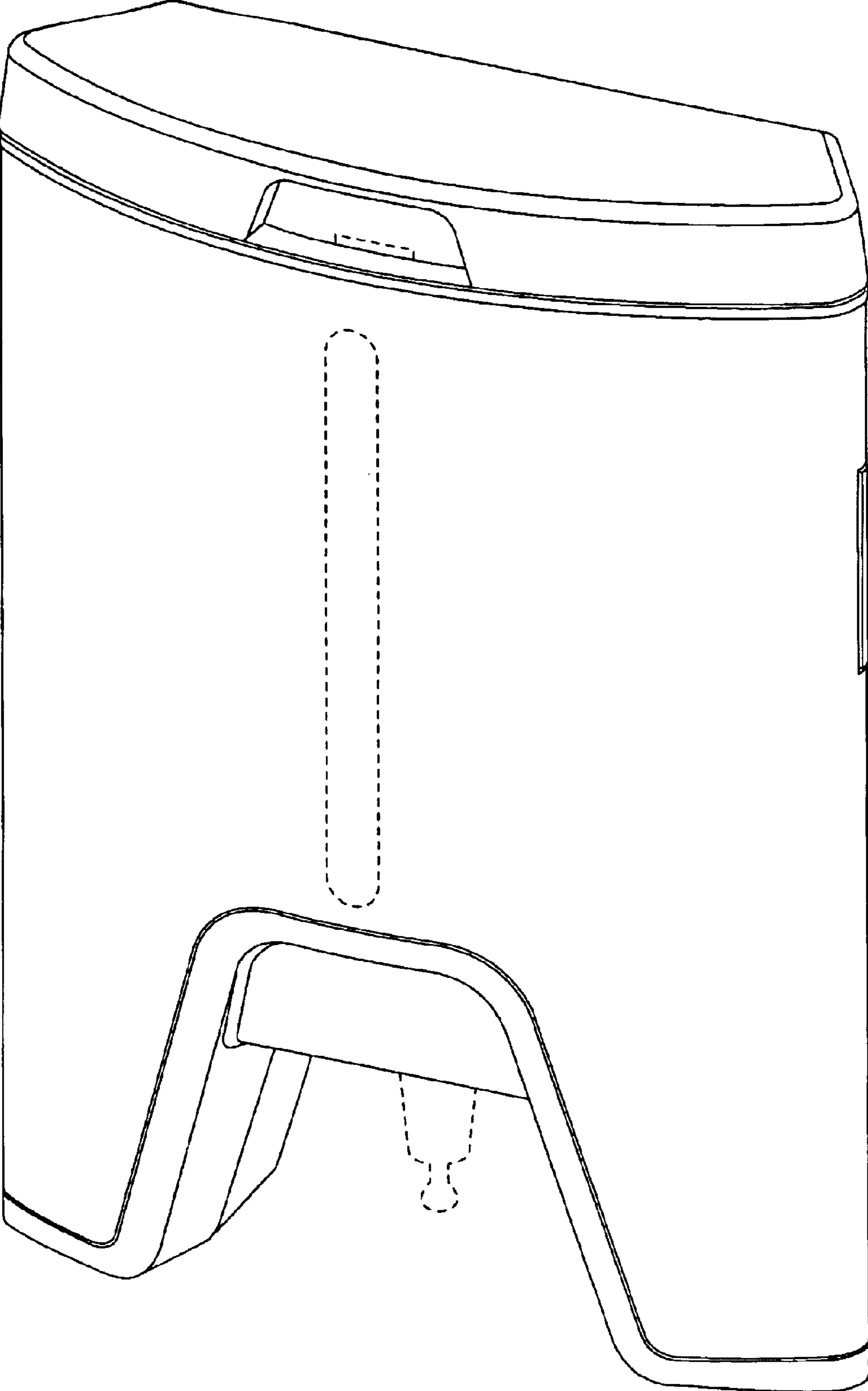


FIG. 8

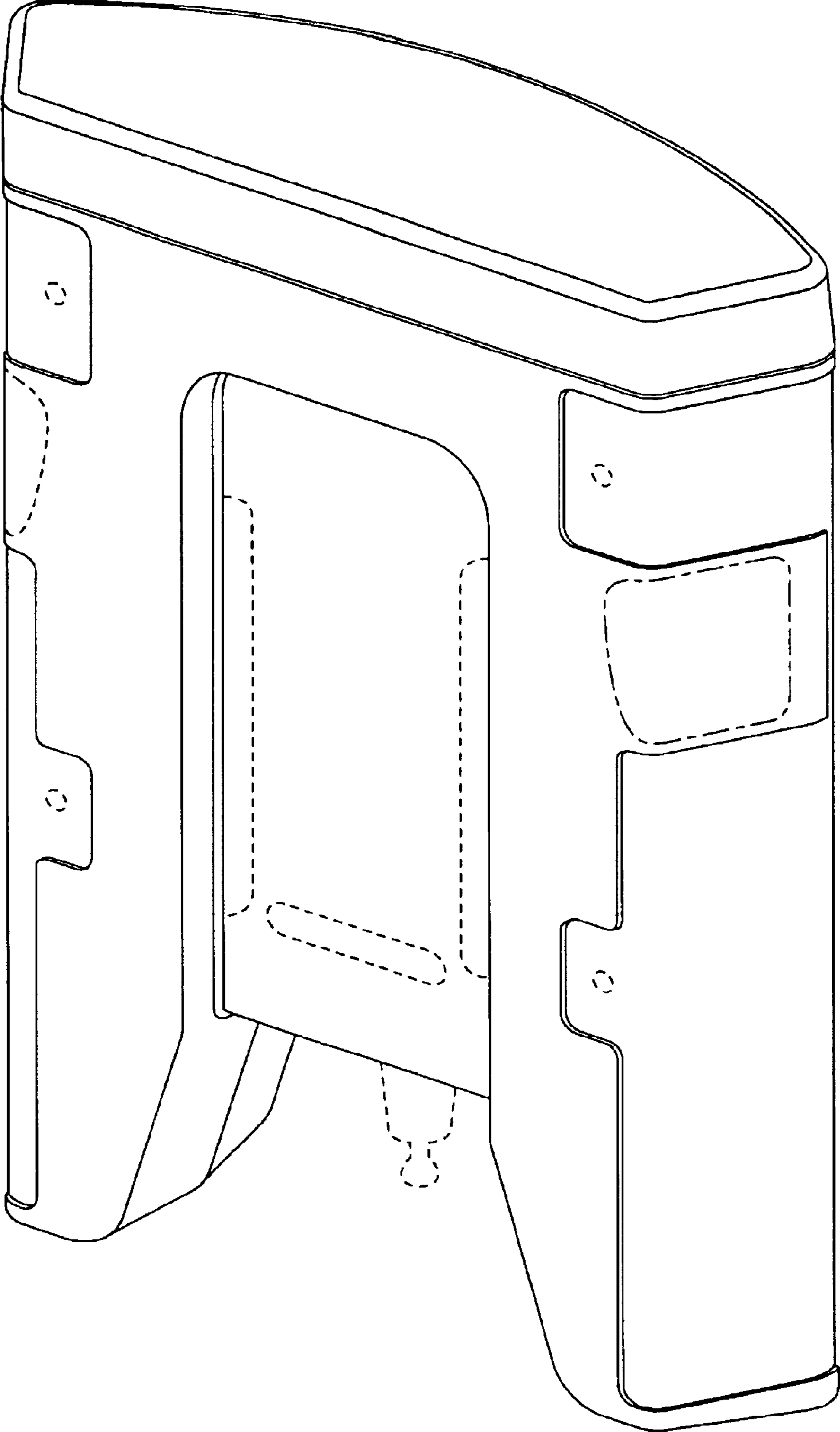


FIG. 9

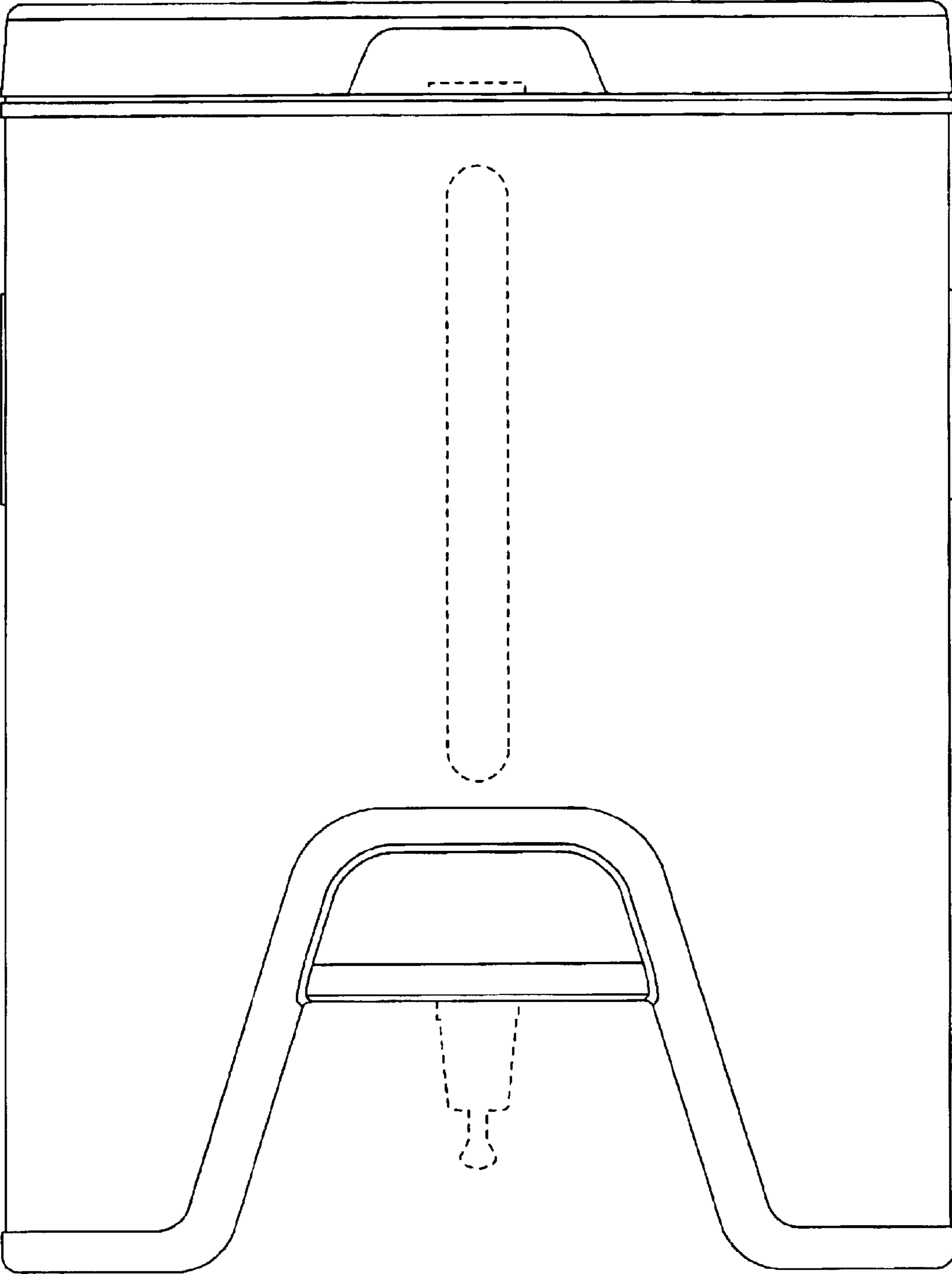


FIG. 10

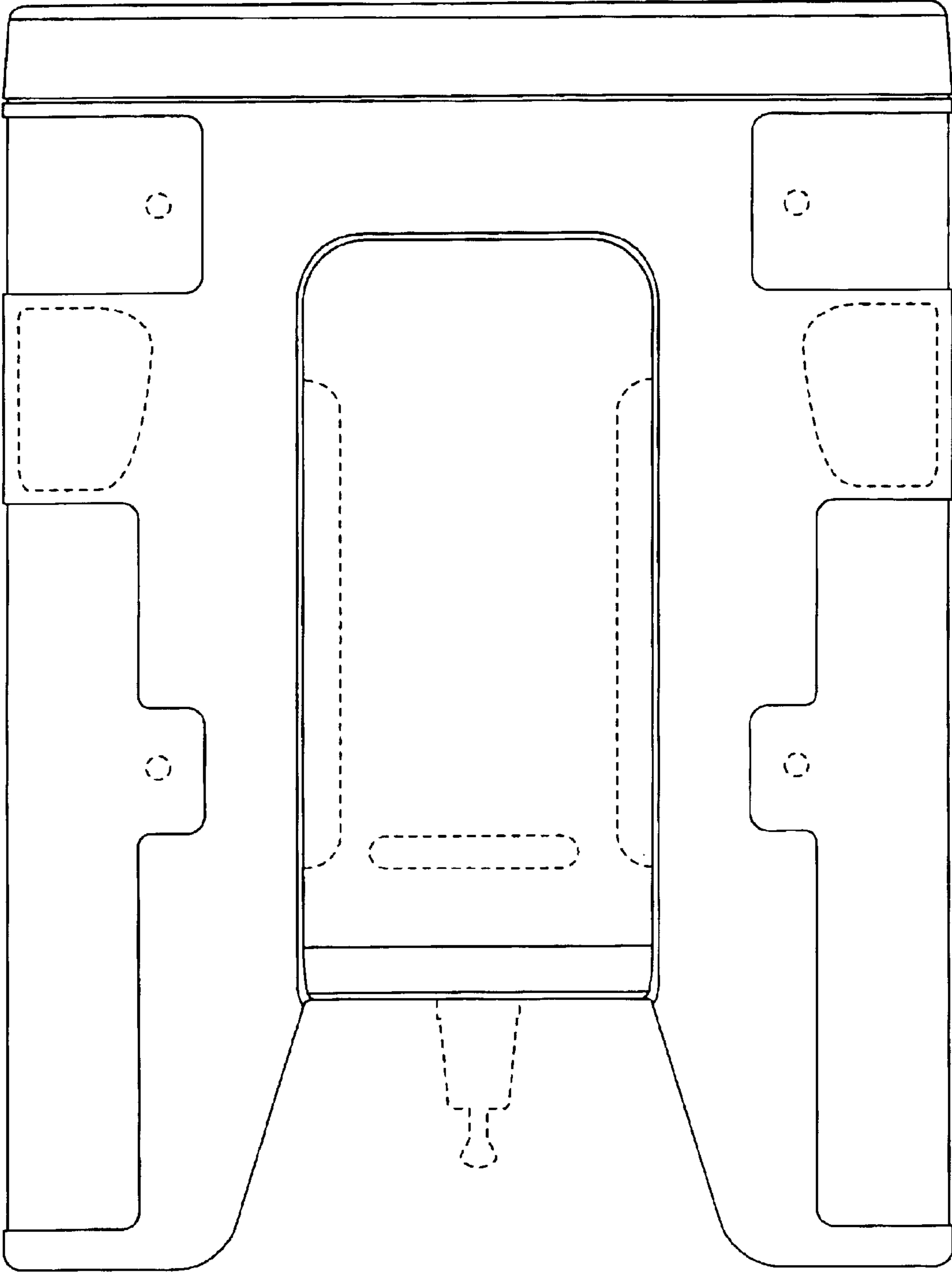


FIG. 11

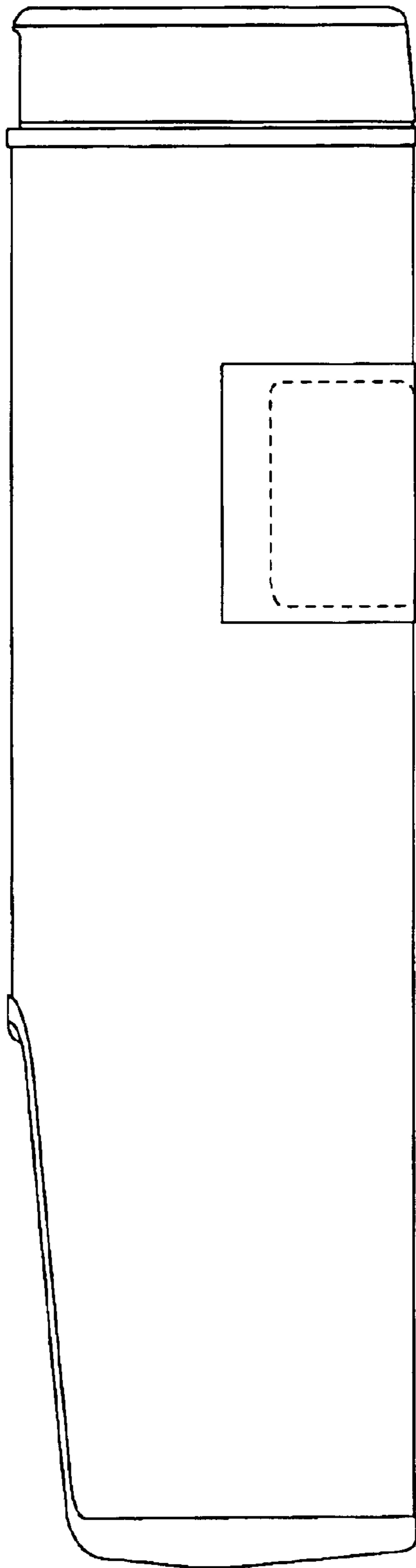


FIG. 12

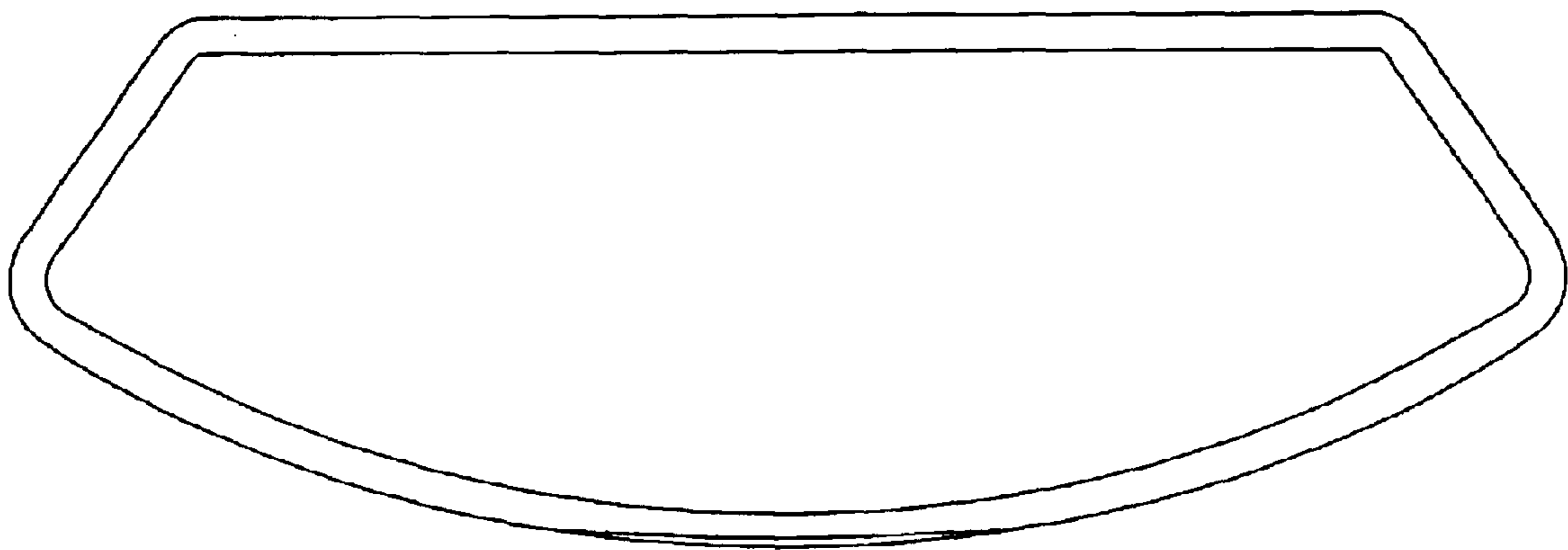


FIG. 13

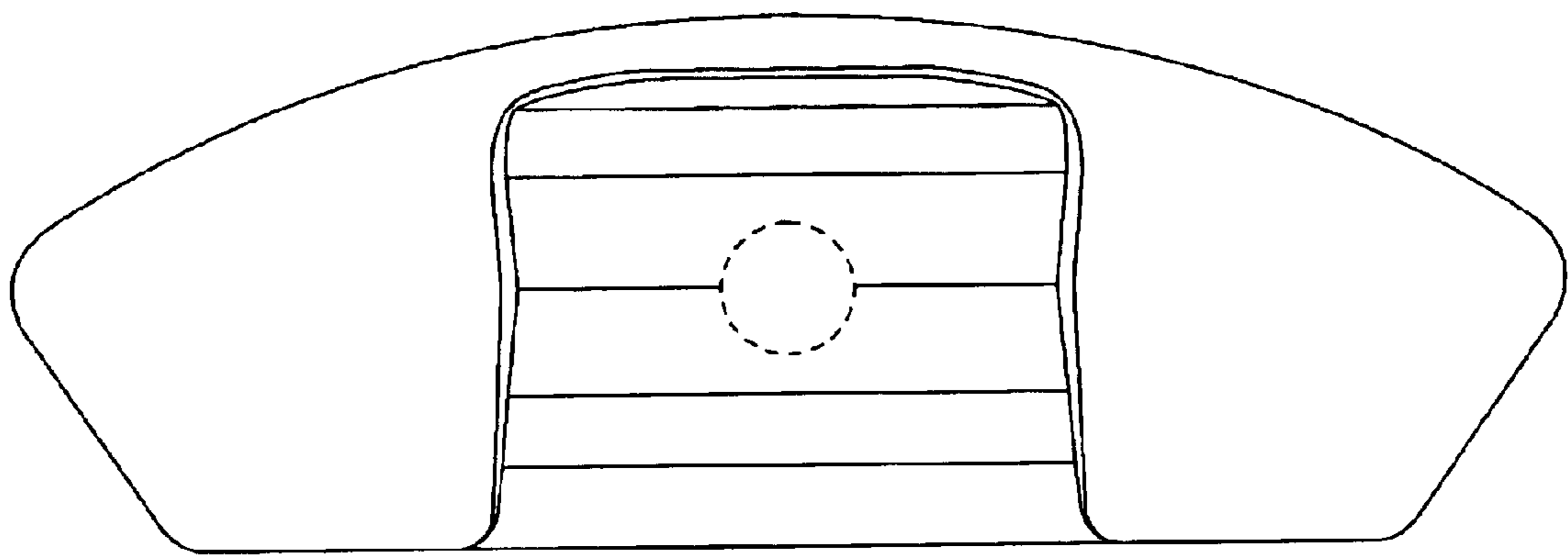


FIG. 14