

US00D508754S

(12) **United States Design Patent**
Haywood

(10) **Patent No.: US D508,754 S**

(45) **Date of Patent: ** Aug. 23, 2005**

(54) **BULLSEYE ASHTRAY**
(76) **Inventor: Chad Christian Haywood, 5714 Allott Ave., Van Nuys, CA (US) 91401**
(**) **Term: 14 Years**

D287,296 S 12/1986 Yasuda
5,186,182 A * 2/1993 Lin 131/241
D349,305 S 8/1994 Diehl
D359,991 S 7/1995 Dean
D399,024 S 9/1998 Hicaro, Jr. et al.
D402,399 S * 12/1998 Fowler D27/135
D430,952 S 9/2000 Haywood

(21) **Appl. No.: 29/205,230**

* cited by examiner

(22) **Filed: May 11, 2004**

Primary Examiner—Jennifer Rivard

(51) **LOC (8) Cl. 27-05**

(57) **CLAIM**

(52) **U.S. Cl. D27/133; D27/134; D27/135; D27/120**

I claim the ornamental design for a bullseye ashtray, substantially as shown and described.

(58) **Field of Search D27/103, 106, D27/114, 120, 127, 131, 133-135; 131/231, 235, 240.1, 242; D7/555-557, 563, 564, 578**

DESCRIPTION

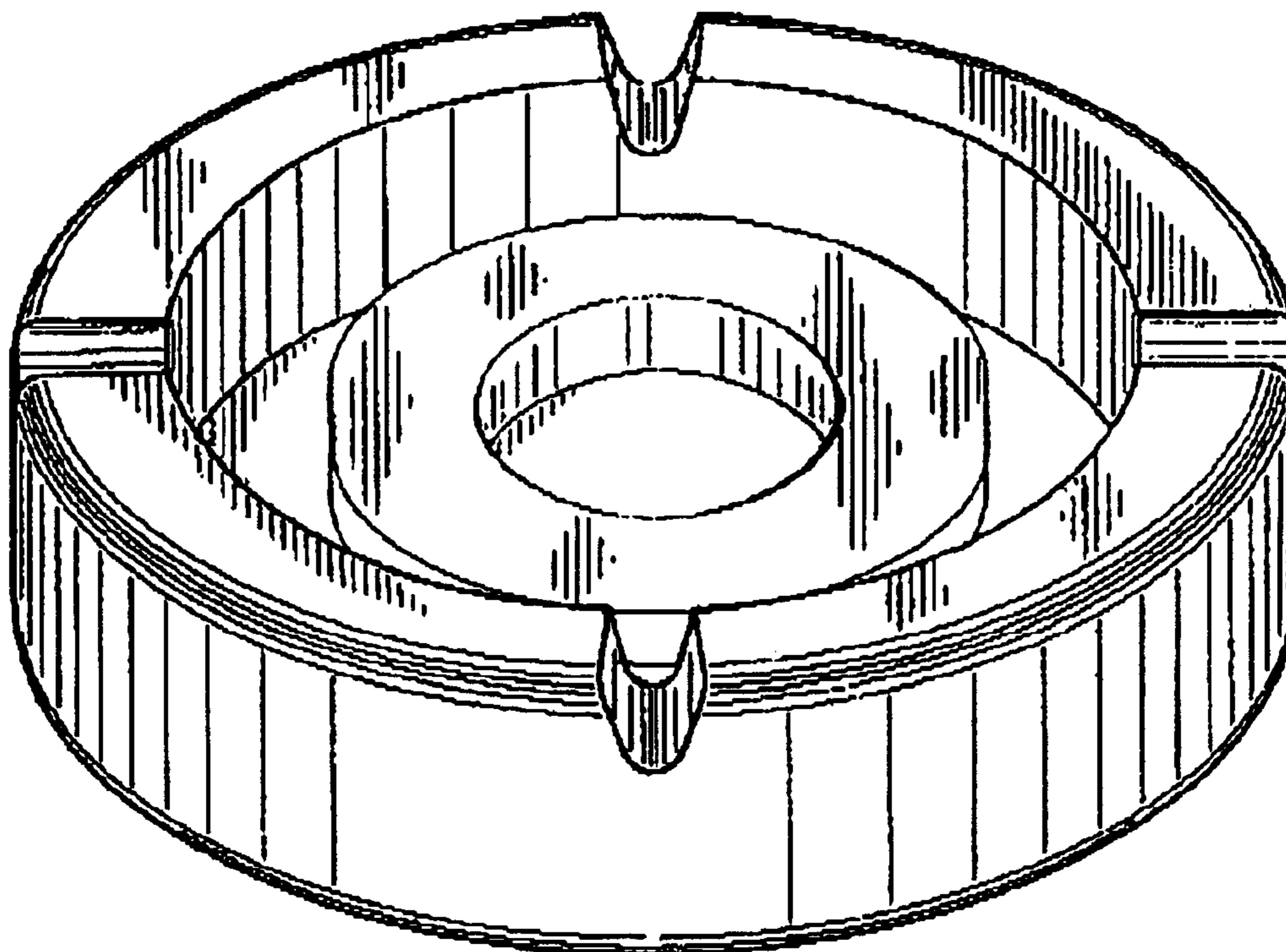
FIG. 1 is a top plan view of a bullseye ashtray showing my new design;
FIG. 2 is a perspective view thereof; and,
FIG. 3 is a side elevation view thereof, all sides being identical.

(56) **References Cited**

U.S. PATENT DOCUMENTS

D164,120 S * 7/1951 Mahony D27/133
D201,484 S 6/1965 McFayden

1 Claim, 3 Drawing Sheets



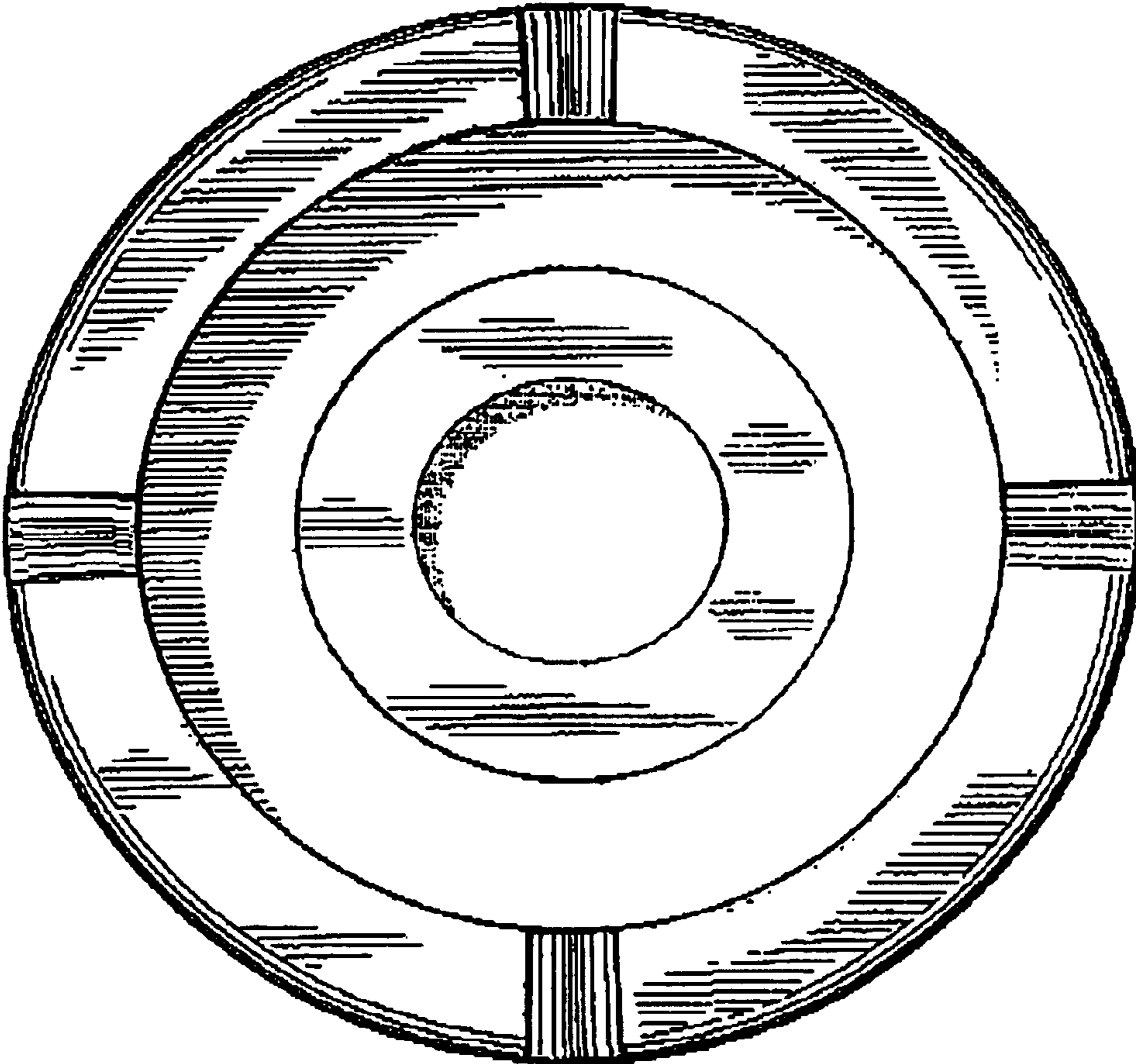


FIG. 1

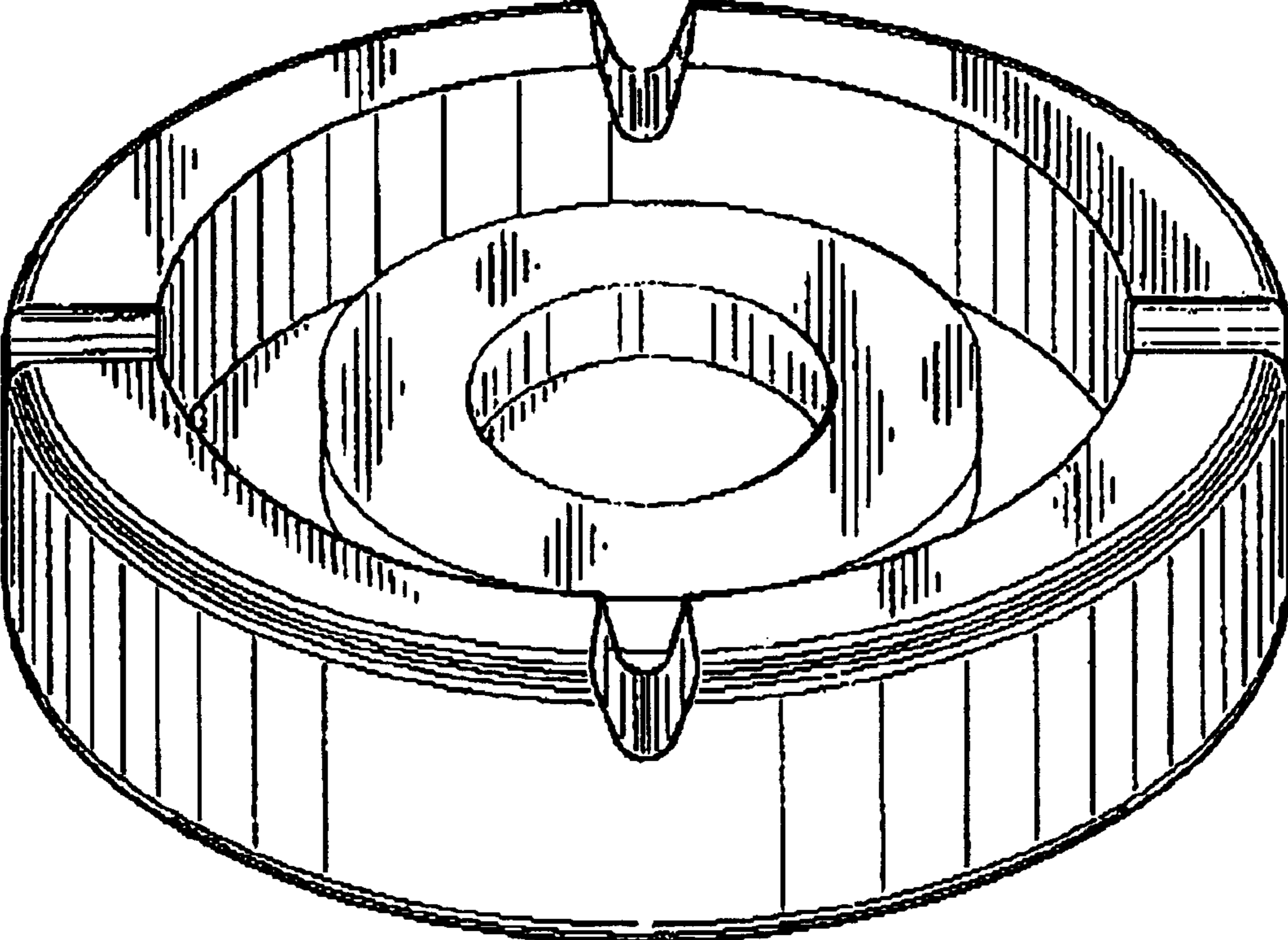


FIG. 2



FIG. 3