



US00D508753S

(12) **United States Design Patent** (10) **Patent No.:** **US D508,753 S**
Herst et al. (45) **Date of Patent:** **** Aug. 23, 2005**

- (54) **LIGHTING FIXTURE HANGER**
- (75) Inventors: **Douglas J. Herst**, Ross, CA (US);
Utkan Salman, Oakland, CA (US)
- (73) Assignee: **Acuity Brands, Inc.**, Atlanta, GA (US)
- (**) Term: **14 Years**
- (21) Appl. No.: **29/194,692**
- (22) Filed: **Nov. 26, 2003**
- (51) **LOC (8) Cl.** **26-99**
- (52) **U.S. Cl.** **D26/138**
- (58) **Field of Search** D26/77, 76, 81,
D26/86, 138; 362/147, 225, 403-408; 248/58,
317

(56) **References Cited**

U.S. PATENT DOCUMENTS

4,109,305	A *	8/1978	Claussen et al.	362/404
4,351,017	A *	9/1982	Ball	362/147
D411,027	S	6/1999	Herst et al.		
6,174,069	B1 *	1/2001	Plunk et al.	362/147
6,305,816	B1 *	10/2001	Corcorran et al.	362/147
6,494,601	B2 *	12/2002	Johnson	362/406

OTHER PUBLICATIONS

- Catalog sheet, 6" Round Available Fixtures, Peerless Lighting Corp., 1995.
- Catalog sheet, 4" Round, Peerless Lighting Corp., 1996.
- Lightscreen Product Brochure 9x3 Rounded, Peerless Lighting Corp., 1993.
- Catalog sheet, 6x3 Wall Wash, Peerless Lighting Corp., 1996.
- Trugrid Product Brochure, Peerless Lighting Corp., 1994.
- Catalog sheet, 9" Round, Peerless Lighting Corp., 1996.

Catalog sheet, 8½ × 4 Rounded V Indirect, Peerless Lighting Corp., 1995.

Lightfoil Product Brochure, Peerless Lighting Corp., 1997.

* cited by examiner

Primary Examiner—Jennifer Rivard

(74) *Attorney, Agent, or Firm*—Donald L. Beeson

(57) **CLAIM**

The ornamental design for a lighting fixture hanger, as shown and described.

DESCRIPTION

FIG. 1 is a bottom perspective view of a lighting fixture hanger showing our new design;

FIG. 2 is a front elevational view thereof, the rear being a mirror image;

FIG. 3 is a side elevational view thereof, the other side being a mirror image;

FIG. 4 is a bottom plan view thereof;

FIG. 5 is top plan view thereof;

FIG. 6 is a bottom perspective view of an alternative embodiment of a lighting fixture hanger showing our new design;

FIG. 7 is a front elevational view thereof, the rear being a mirror image;

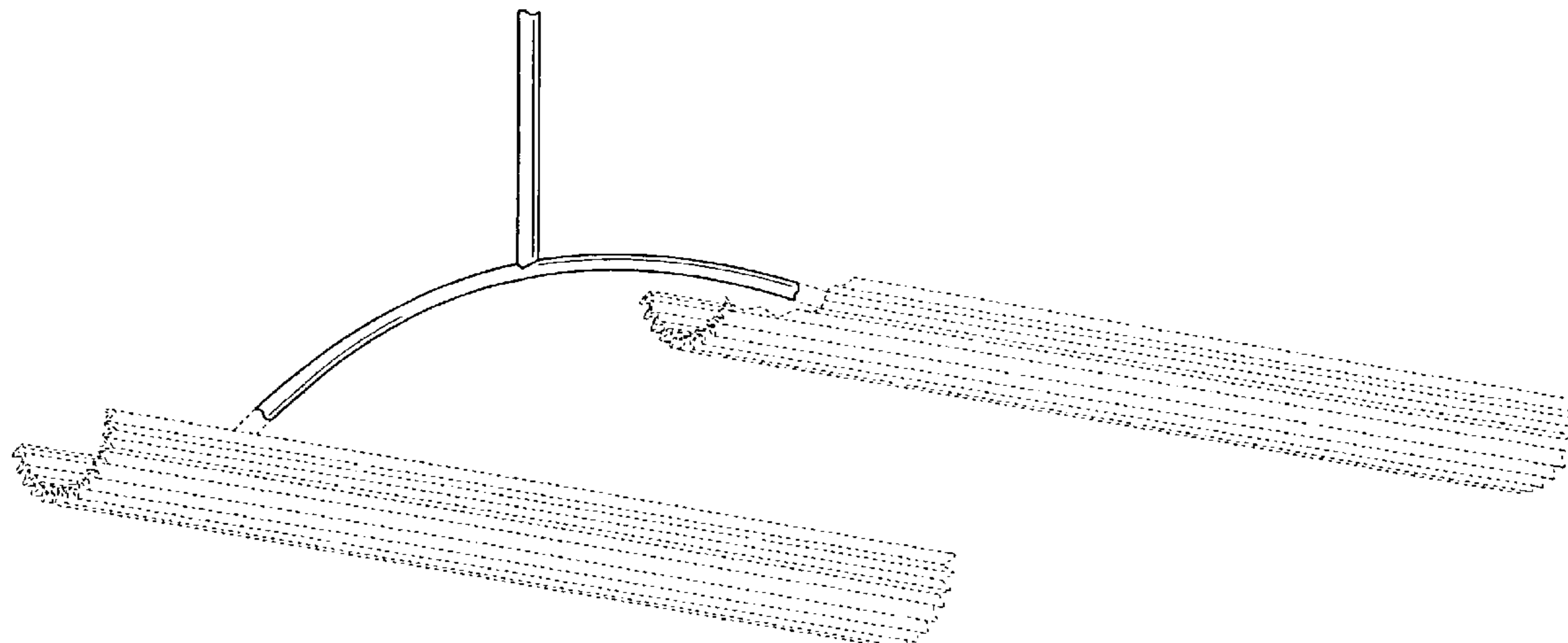
FIG. 8 is a side elevational view thereof, the other side being a mirror image;

FIG. 9 is a bottom plan view thereof; and,

FIG. 10 is top plan view thereof.

FIGS. 1-10 are broken away to indicate indeterminate length. The broken lines are shown in FIGS. 1-10 for illustrative purposes only and indicate the nature and use of our new design; they form no part of our claimed design.

1 Claim, 10 Drawing Sheets



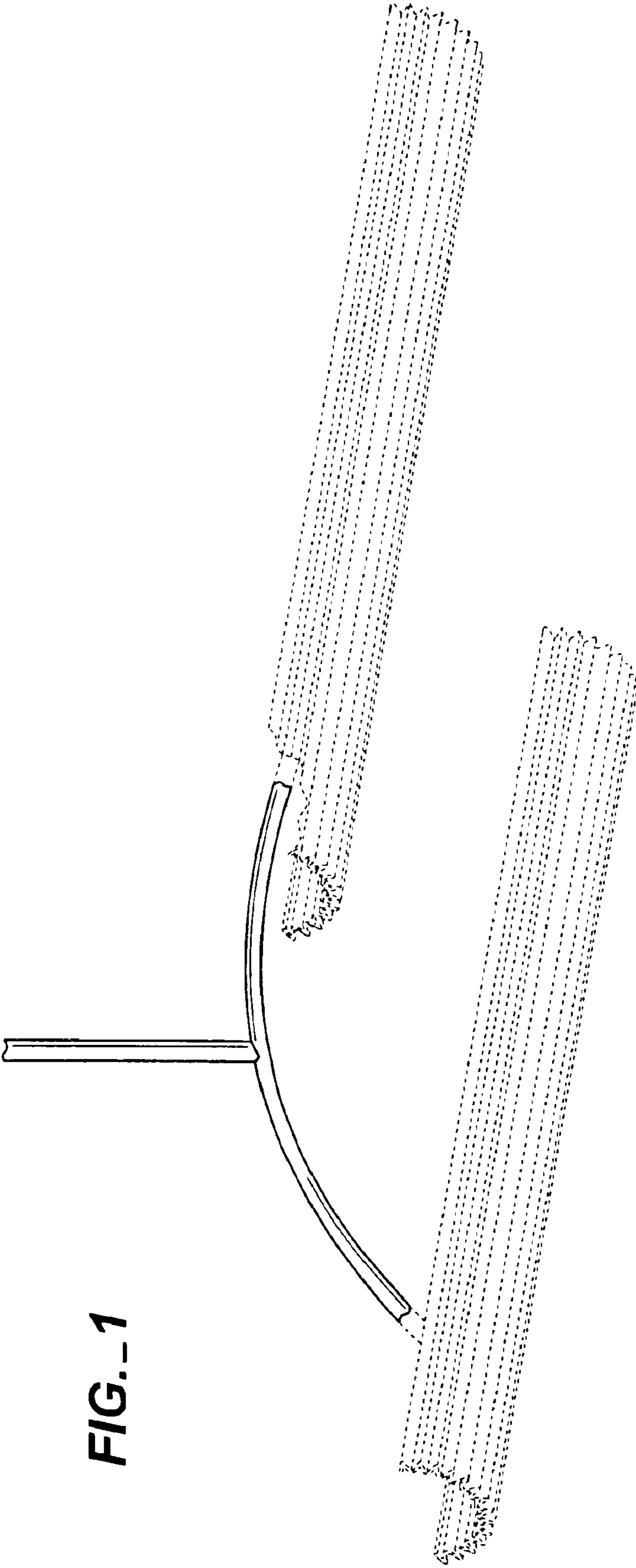


FIG.-1

FIG. 2

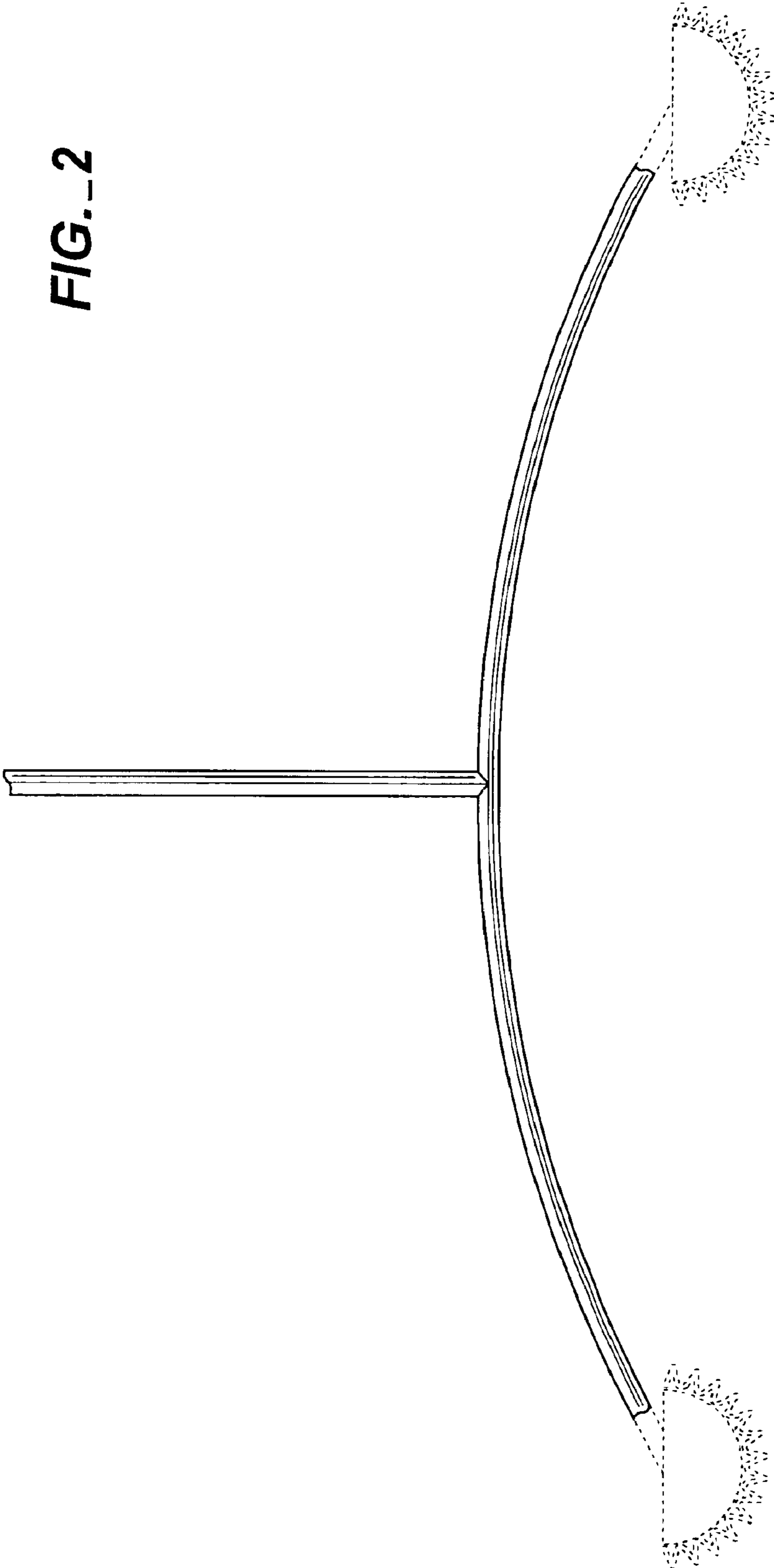


FIG. 3

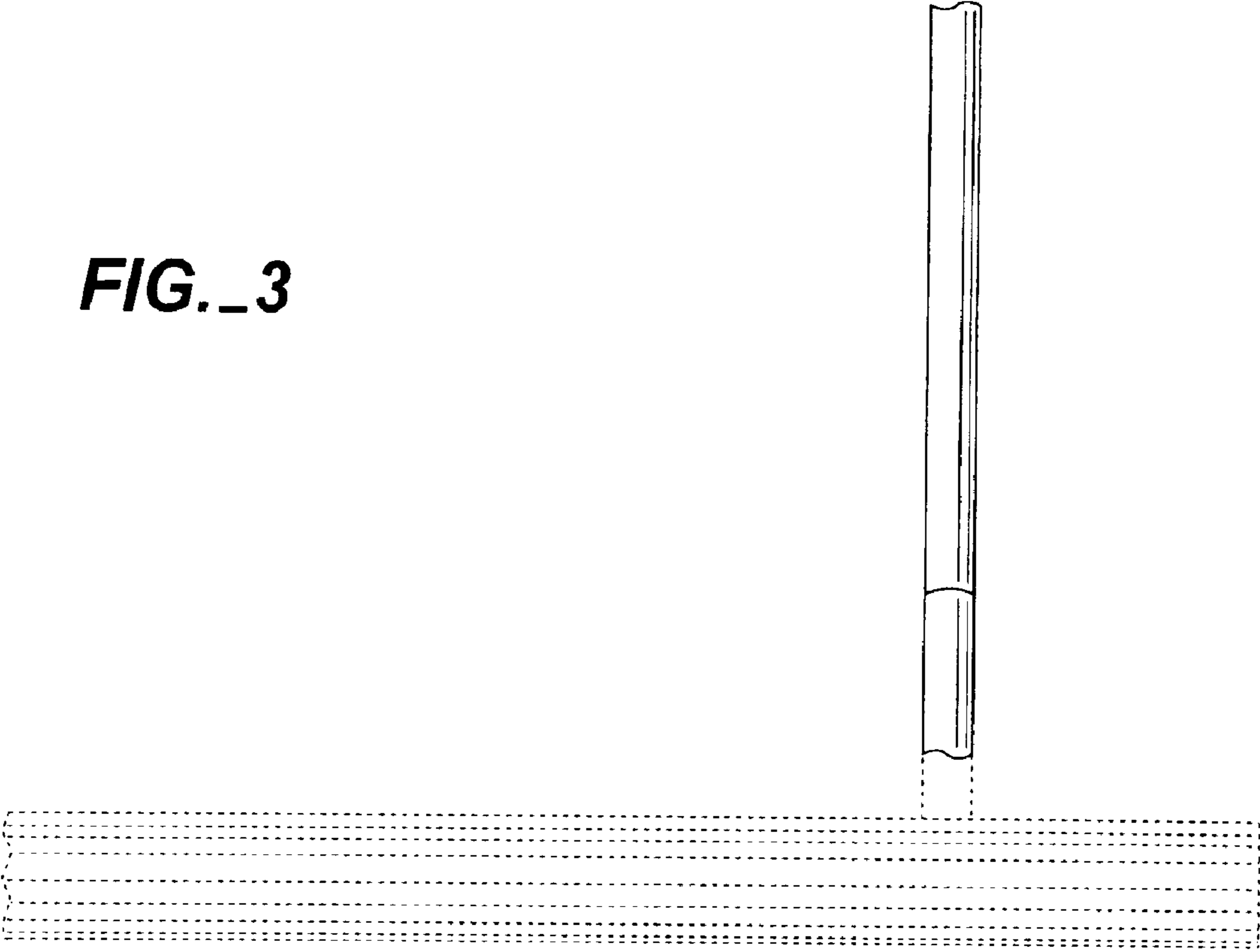
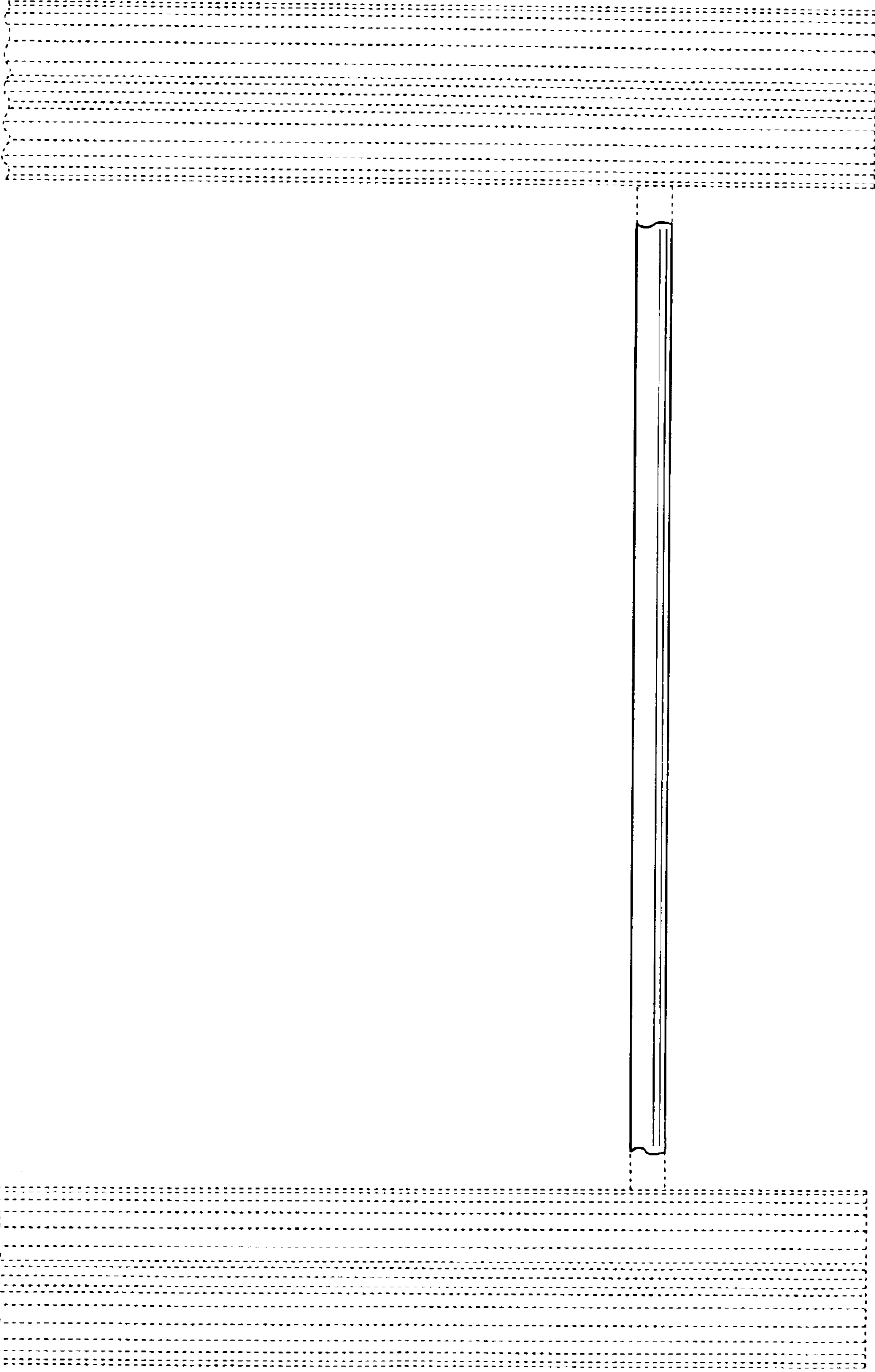


FIG. 4



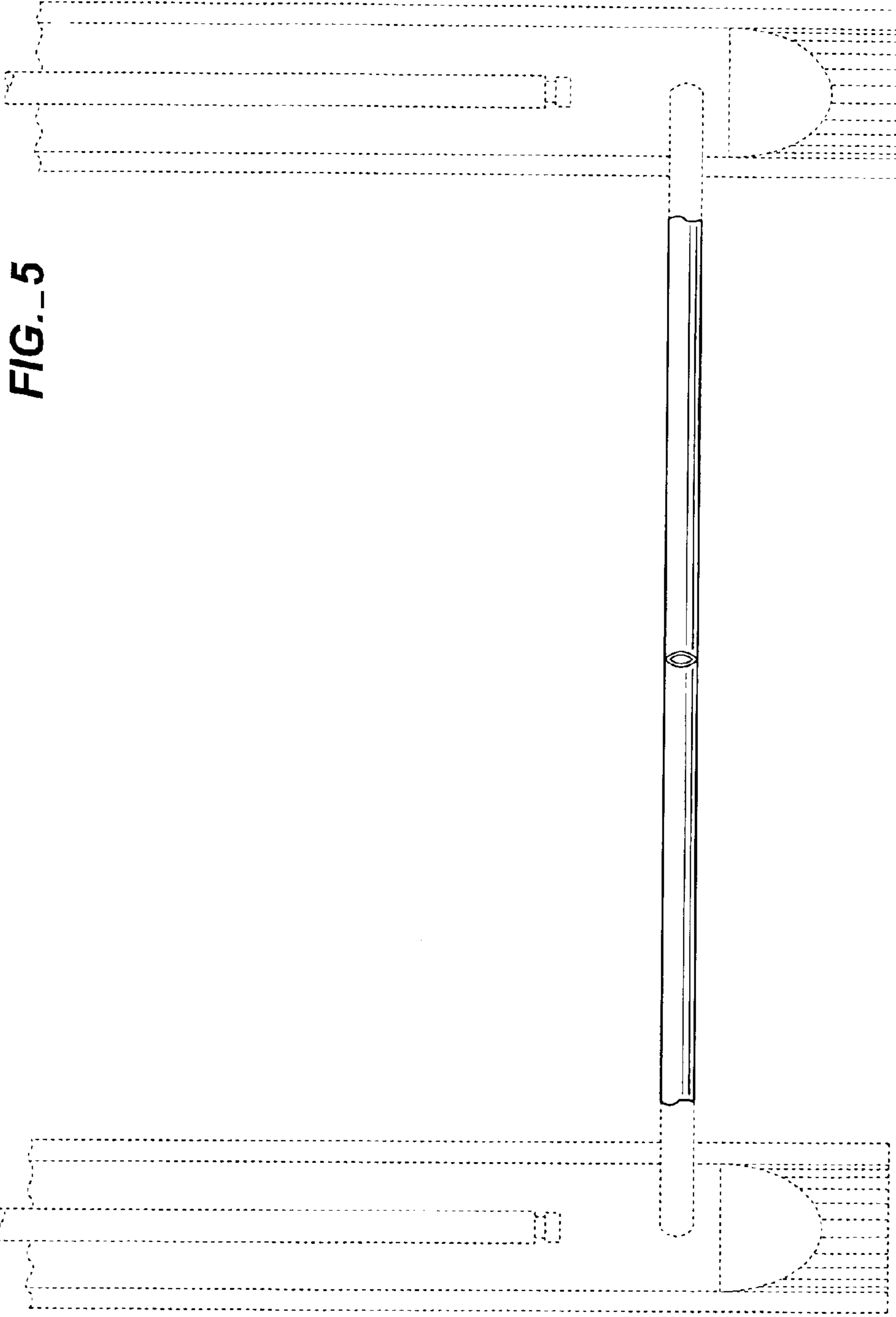


FIG. 5

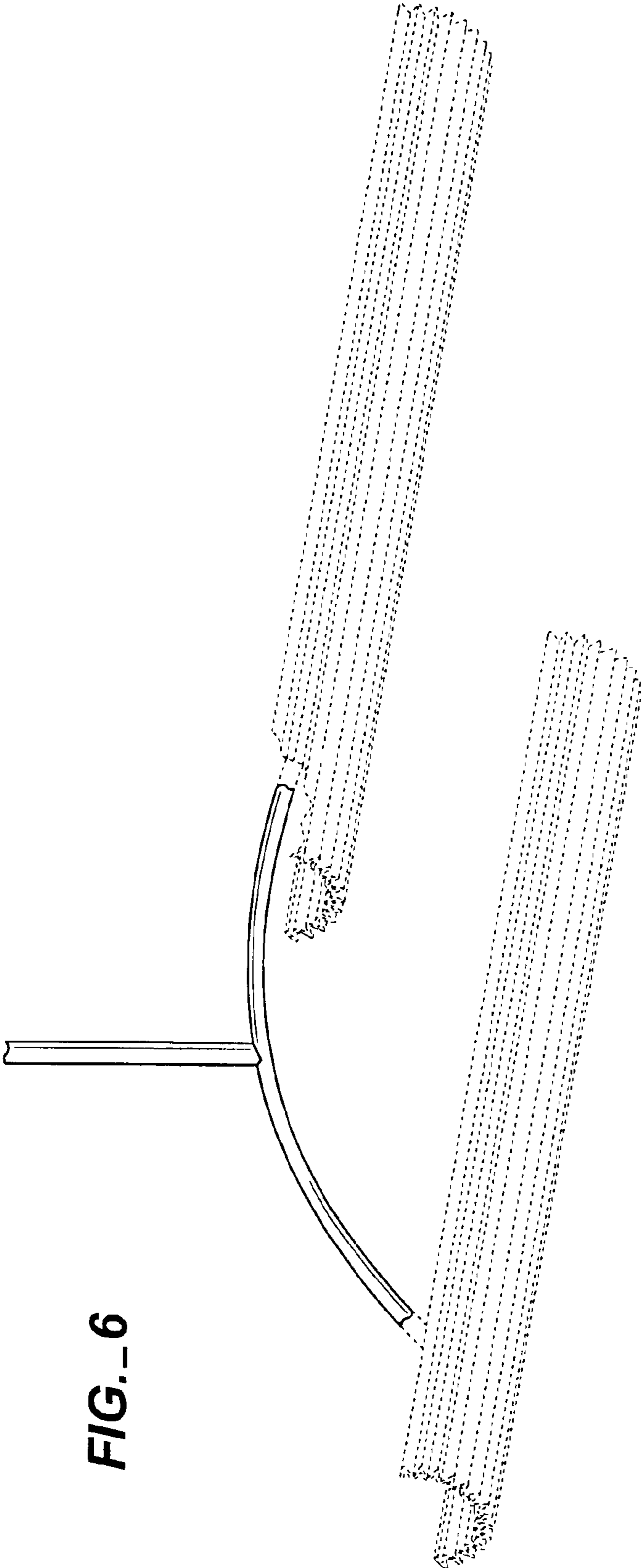


FIG.-6

FIG. 7

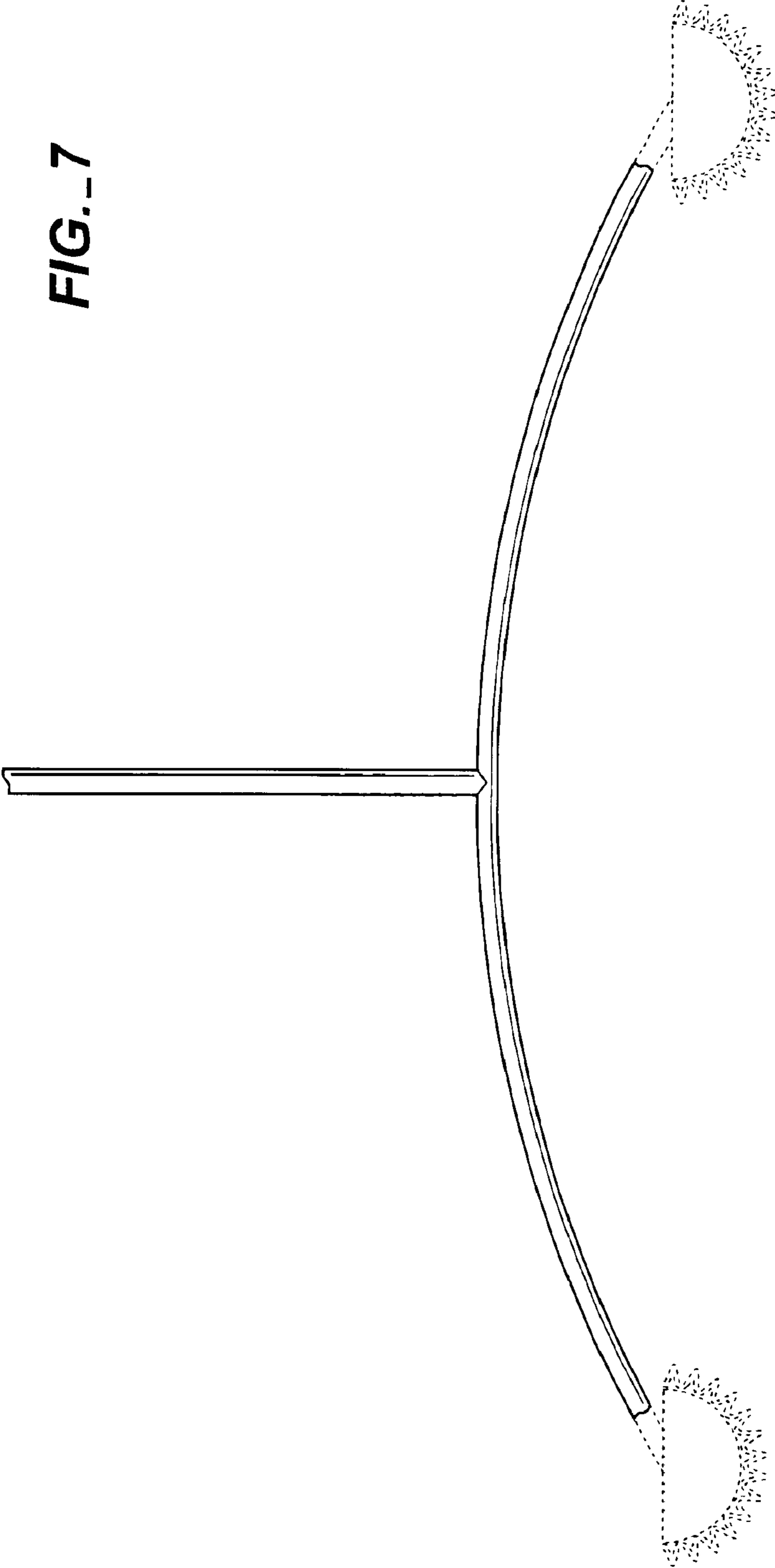


FIG. 8

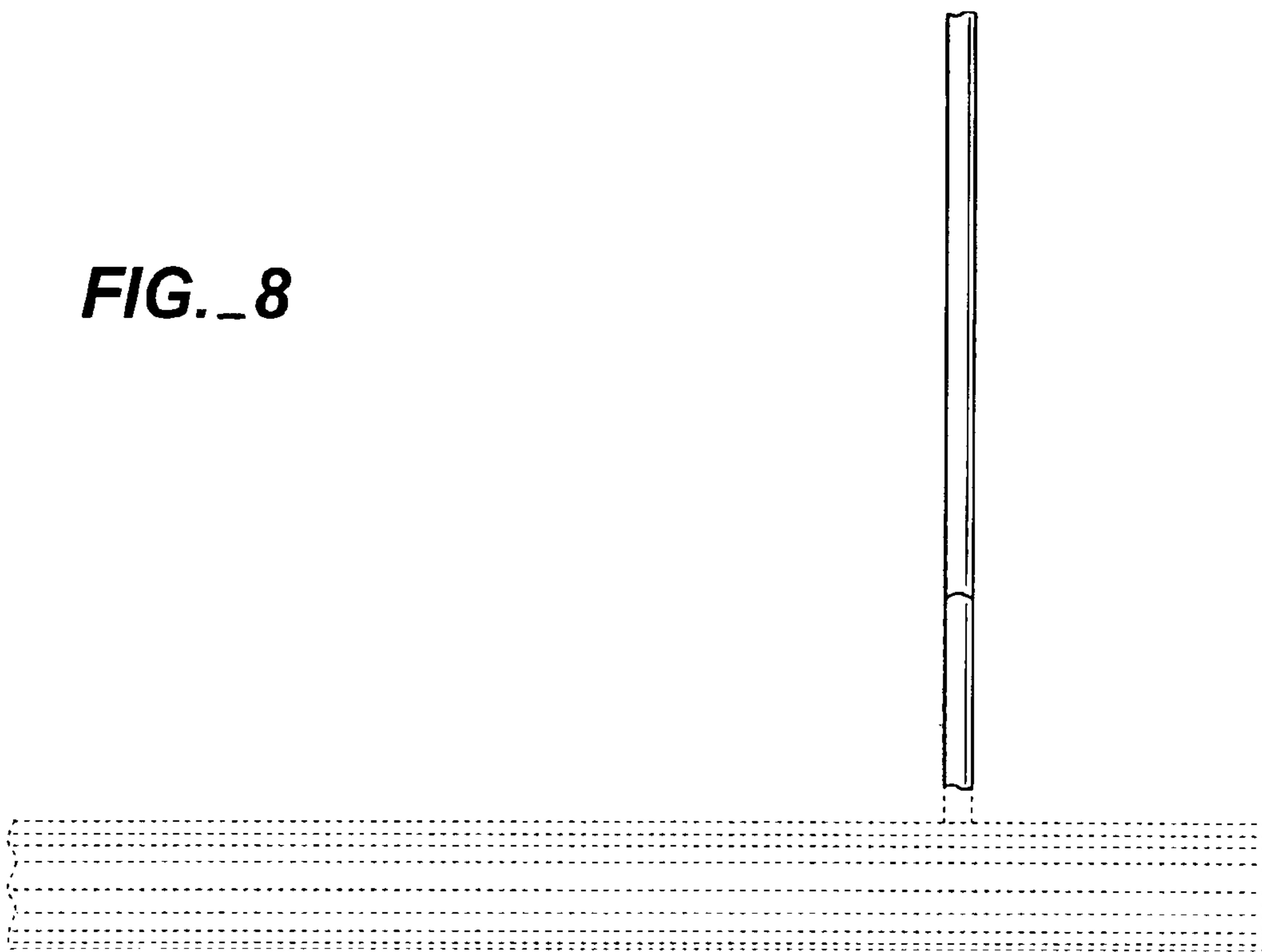
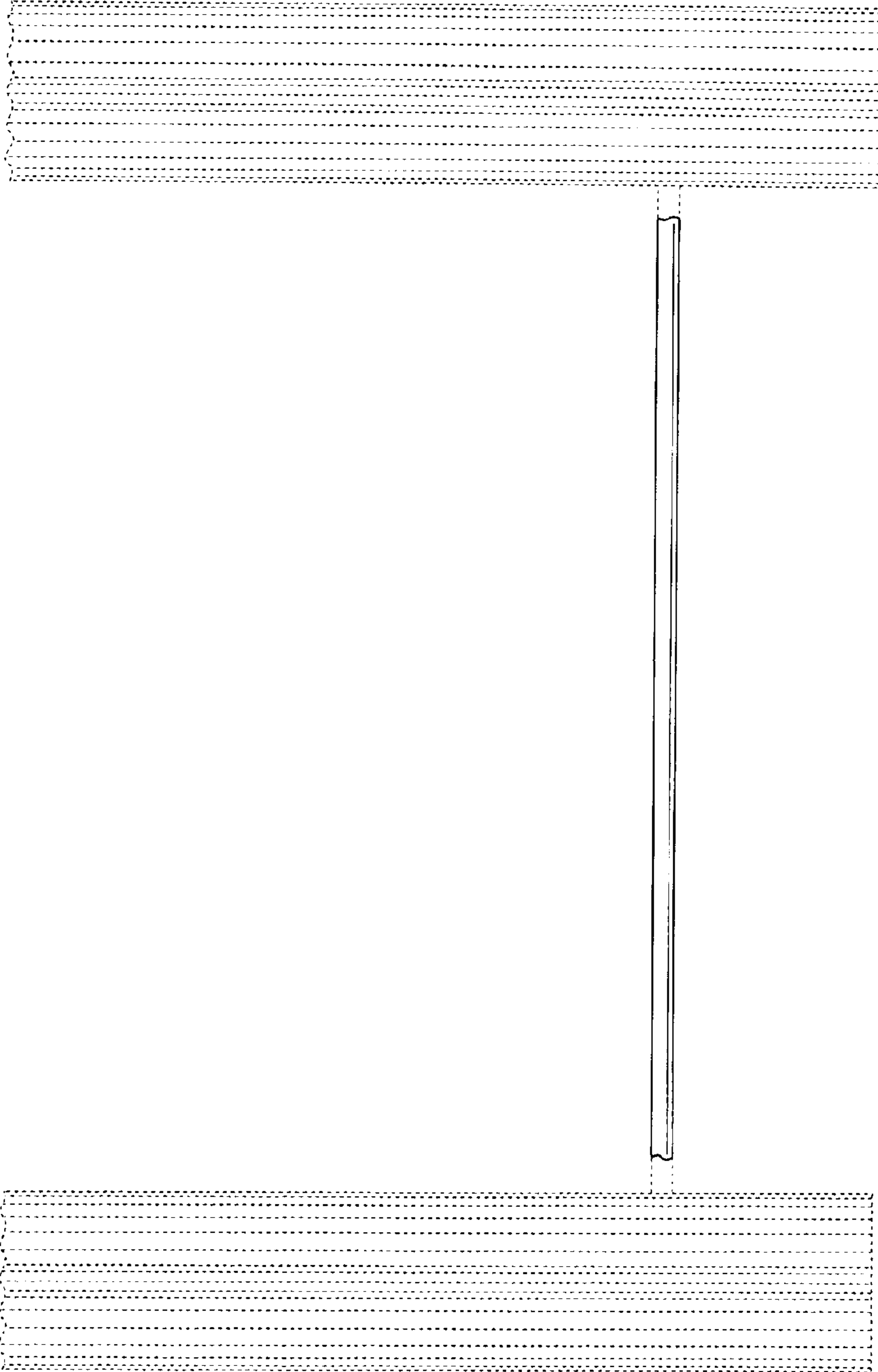


FIG. 9



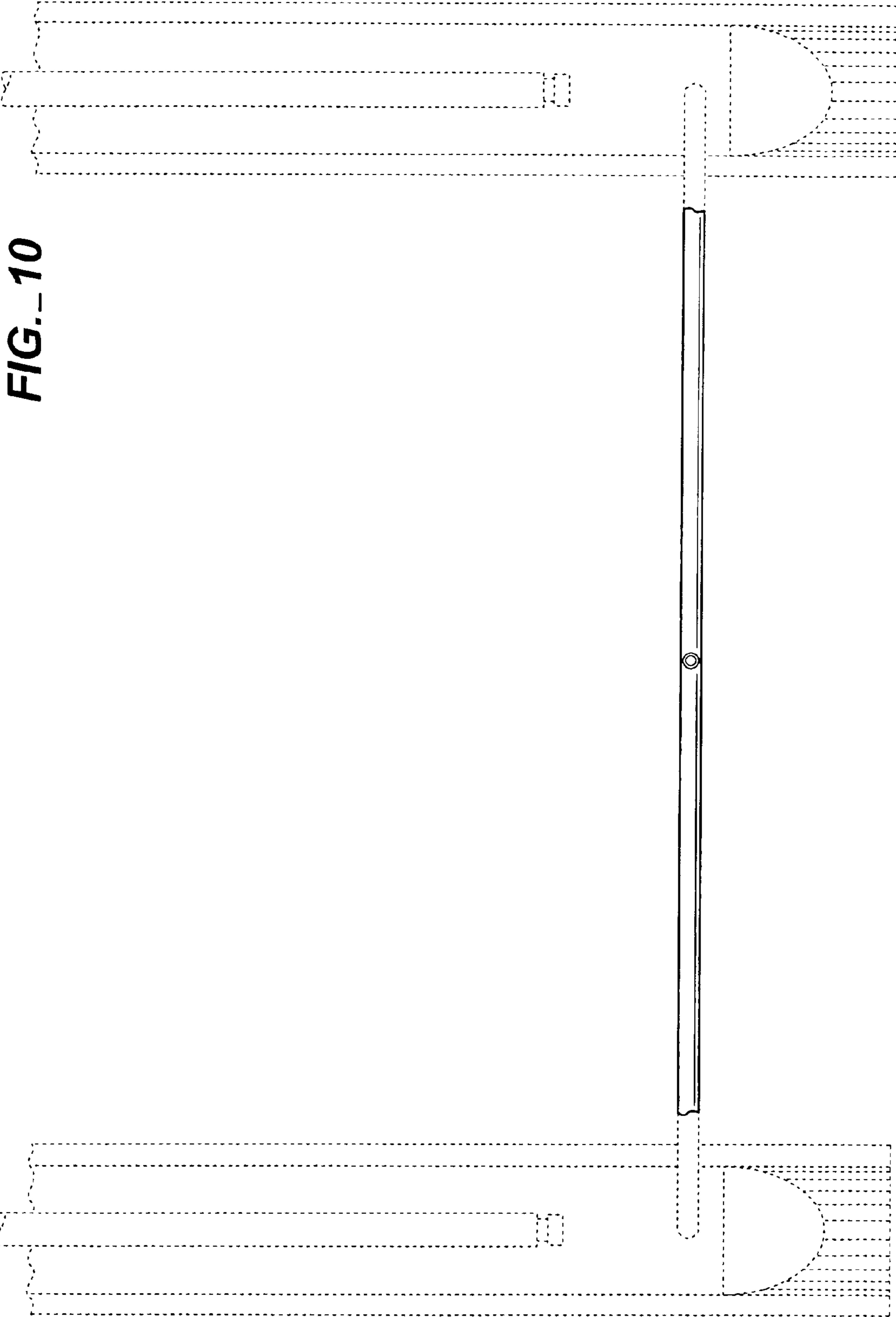


FIG. 10