



US00D508752S

(12) **United States Design Patent**  
**Wachter**

(10) **Patent No.:** **US D508,752 S**

(45) **Date of Patent:** **\*\* Aug. 23, 2005**

(54) **LIGHT FIXTURE HAVING A RING LAMPHOLDER**

(75) Inventor: **Peter F. Wachter**, Northfield, IL (US)

(73) Assignee: **Juno Lighting, Inc.**, Des Plaines, IL (US)

(\*\*) Term: **14 Years**

(21) Appl. No.: **29/188,792**

(22) Filed: **Aug. 22, 2003**

(51) **LOC (8) Cl.** ..... **26-99**

(52) **U.S. Cl.** ..... **D26/118; D26/138**

(58) **Field of Search** ..... D26/113, 118,  
D26/119, 128, 138, 141, 144, 155; 362/147,  
382, 404-408

(56) **References Cited**

**U.S. PATENT DOCUMENTS**

D437,449 S	*	2/2001	Soller	.....	D26/119
D481,158 S	*	10/2003	Cline	.....	D26/138
D483,904 S	*	12/2003	Skradski et al.	.....	D26/118
D494,306 S	*	8/2004	Layne	.....	D26/118

\* cited by examiner

*Primary Examiner*—Jennifer Rivard  
(74) *Attorney, Agent, or Firm*—Sonnenschein Nath & Rosenthal LLP

(57) **CLAIM**

The ornamental design for a light fixture having a ring lampholder, as shown and described.

**DESCRIPTION**

FIG. 1 is a perspective view of a light fixture having a ring lampholder showing the new design; FIG. 2 is a back view of the light fixture shown in FIG. 1; FIG. 3 is a front view of the light fixture shown in FIG. 1; FIG. 4 is a top view of the light fixture shown in FIG. 1; FIG. 5 is a bottom view of the light fixture shown in FIG. 1; and, FIG. 6 is a side view of the light fixture shown in FIG. 1, the opposite side being a mirror image of this side view.

Features shown in dashed lines immediately adjacent the shaded areas or adjacent the solid lines represent the bounds of the claim and all other dashed lines are for illustrative purposes only. None of the dashed lines form a part of the claimed design.

**1 Claim, 4 Drawing Sheets**

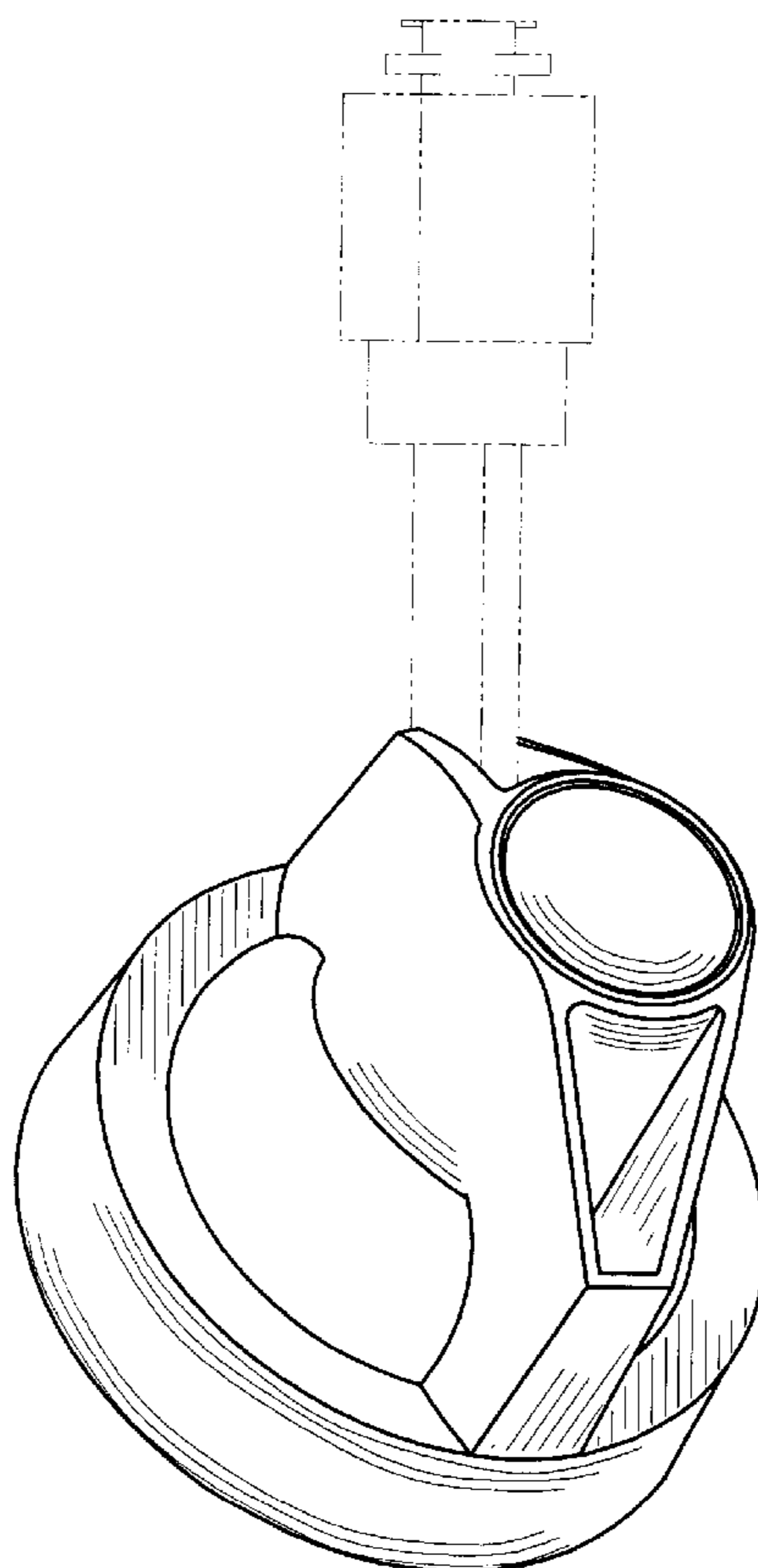


FIG. 1

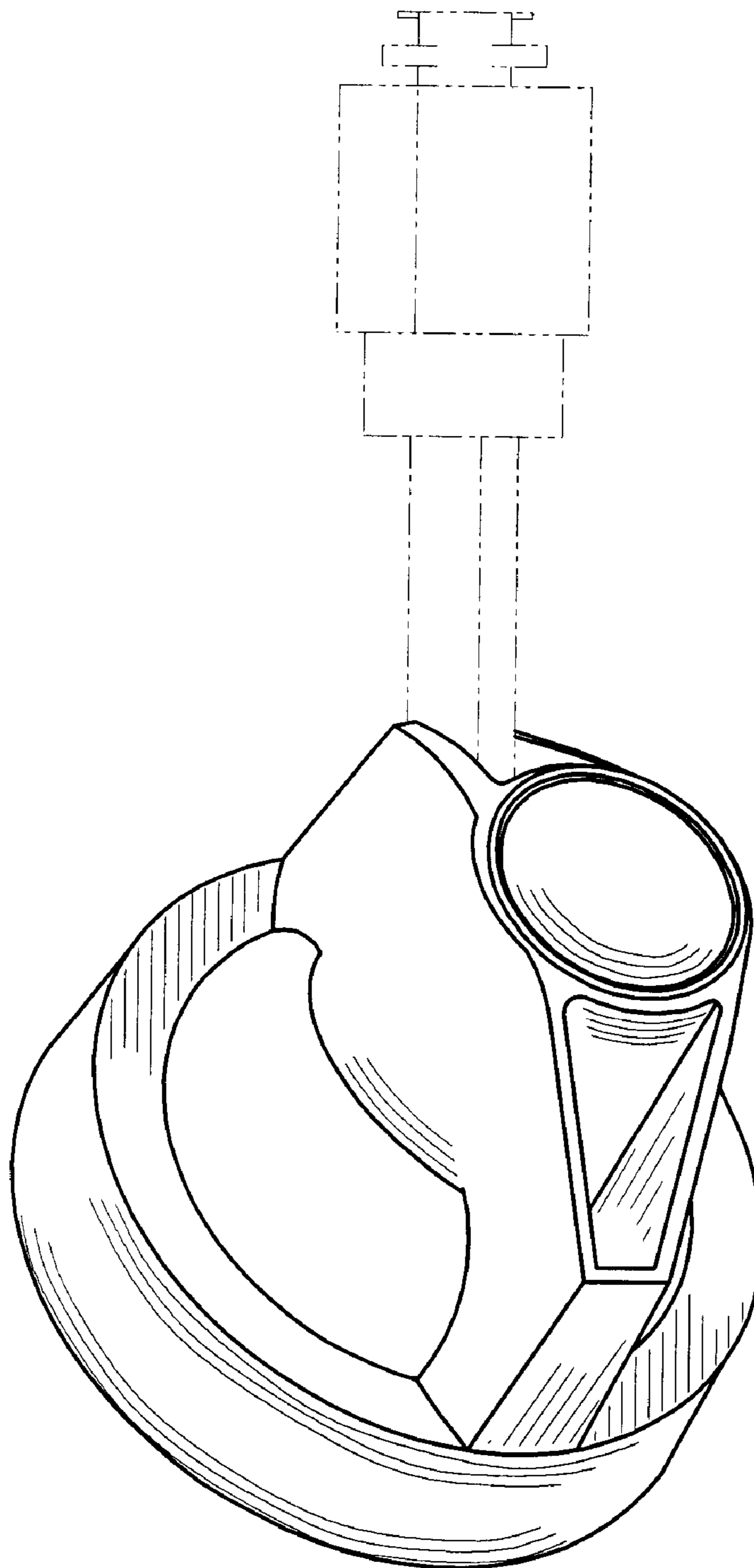


FIG. 3

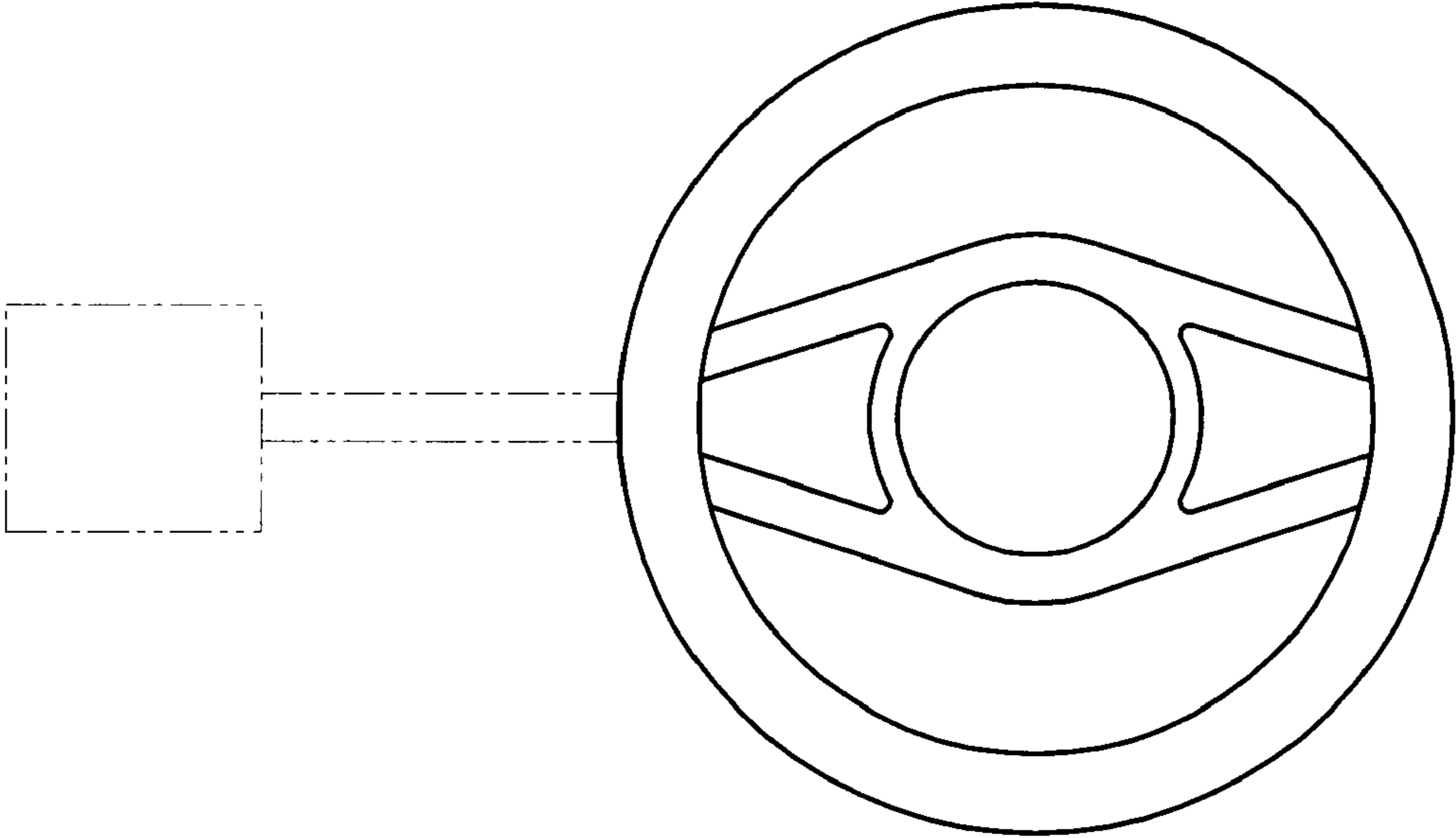


FIG. 2

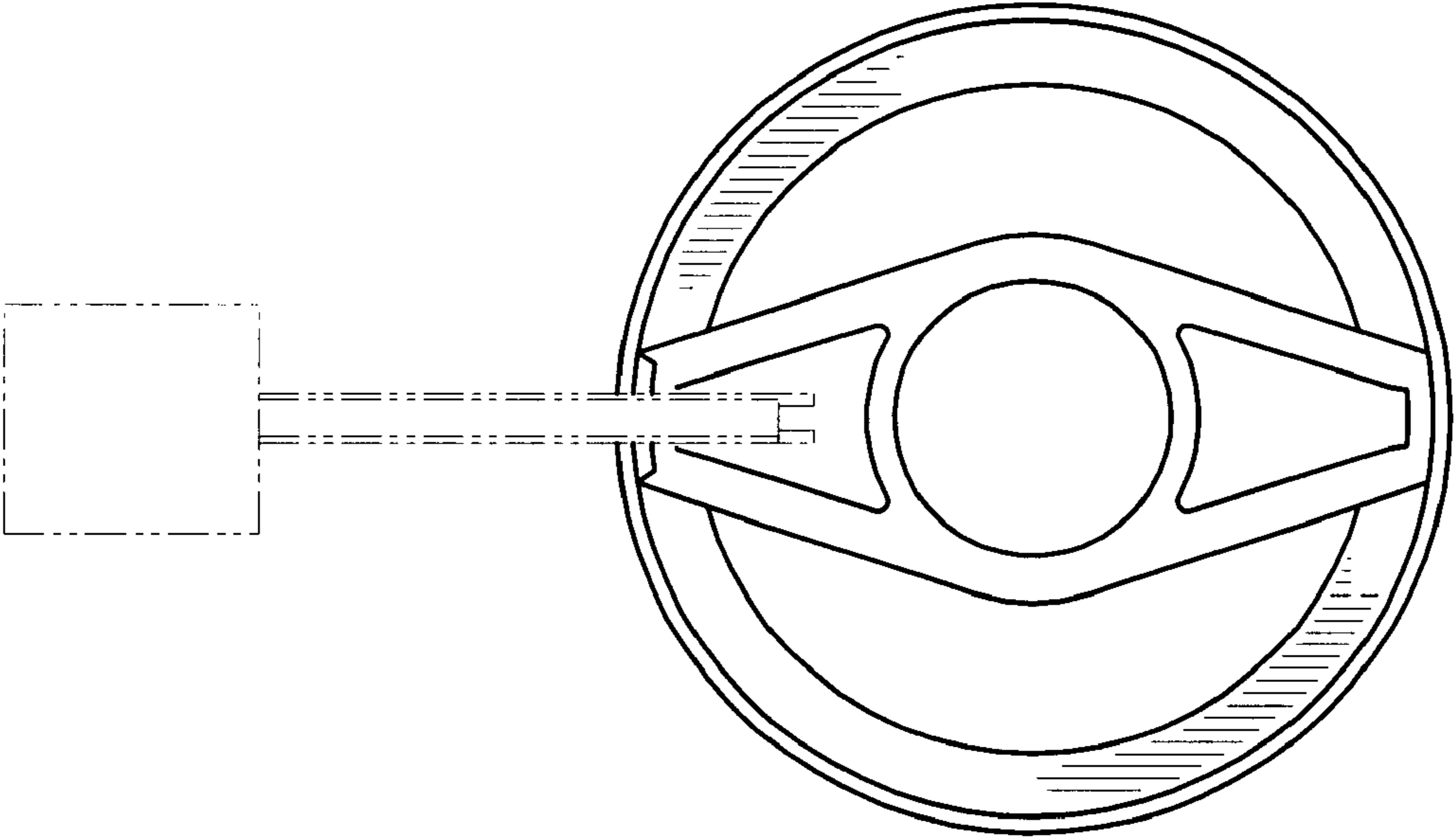


FIG. 4

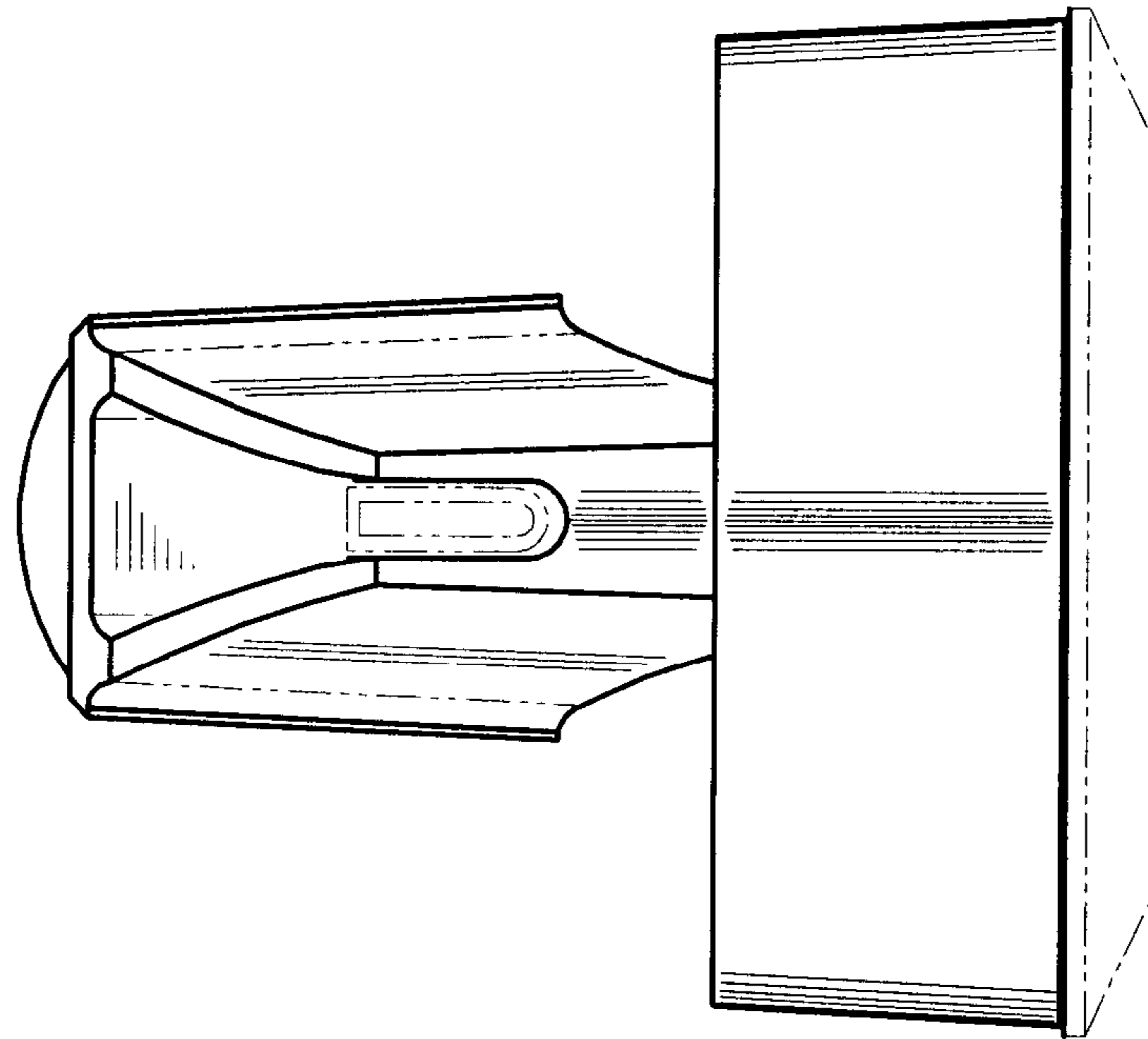


FIG. 5

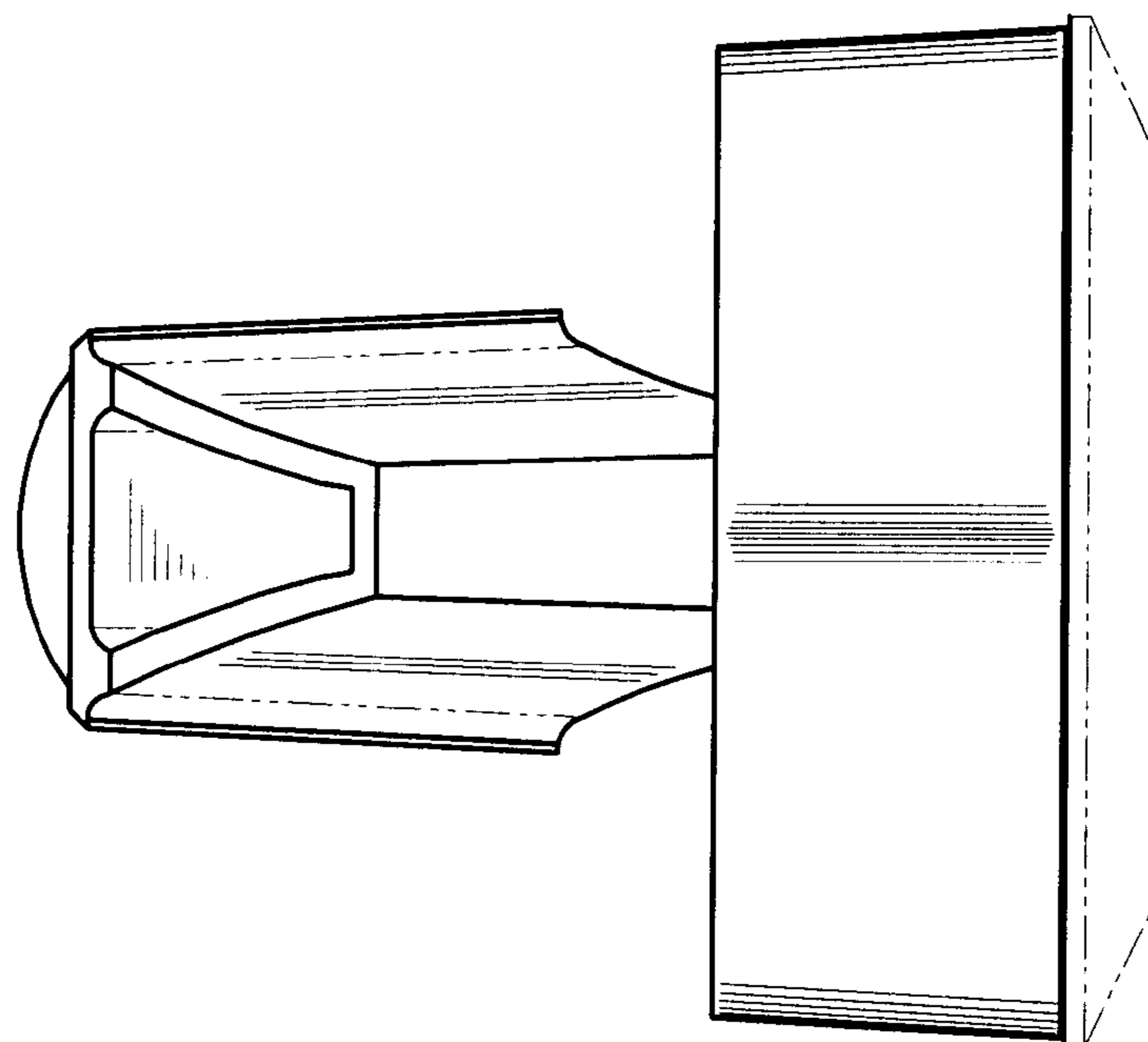


FIG. 6

